

## 阅读申明

- 1.本站收集的数据手册和产品资料都来自互联网，版权归原作者所有。如读者和版权方有任何异议请及时告之，我们将妥善解决。
- 2.本站提供的中文数据手册是英文数据手册的中文翻译，其目的是协助用户阅读，该译文无法自动跟随原稿更新，同时也可能存在翻译上的不当。建议读者以英文原稿为参考以便获得更精准的信息。
- 3.本站提供的产品资料，来自厂商的技术支持或者使用者的心得体会等，其内容可能存在描述上的差异，建议读者做出适当判断。
- 4.如需与我们联系，请发邮件到marketing@iczoom.com，主题请标有“数据手册”字样。

## Read Statement

1. The datasheets and other product information on the site are all from network reference or other public materials, and the copyright belongs to the original author and original published source. If readers and copyright owners have any objections, please contact us and we will deal with it in a timely manner.
2. The Chinese datasheets provided on the website is a Chinese translation of the English datasheets. Its purpose is for reader's learning exchange only and do not involve commercial purposes. The translation cannot be automatically updated with the original manuscript, and there may also be improper translations. Readers are advised to use the English manuscript as a reference for more accurate information.
3. All product information provided on the website refer to solutions from manufacturers' technical support or users the contents may have differences in description, and readers are advised to take the original article as the standard.
4. If you have any questions, please contact us at marketing@iczoom.com and mark the subject with "Datasheets" .

### FEATURES

- External Temperature Measurement with Remote Diode (Two Channels)
- On-Chip Temperature Sensor
- Interrupt and Over-Temperature Outputs
- Fault Tolerant Fan Control
- Brownout Detection
- LDCM Support
- System Management Bus (SMBus)
- Standby Mode to Minimize Power Consumption
- Limit Comparison of all Monitored Values

### APPLICATIONS

- Network Servers and Personal Computers
- Microprocessor-Based Office Equipment
- Test Equipment and Measuring Instruments

### GENERAL DESCRIPTION

The ADM1022 is a low cost temperature monitor and fan controller for microprocessor-based systems. The temperature of one or two remote sensor diodes may be measured, allowing monitoring of processor temperature in single- or dual-processor systems.

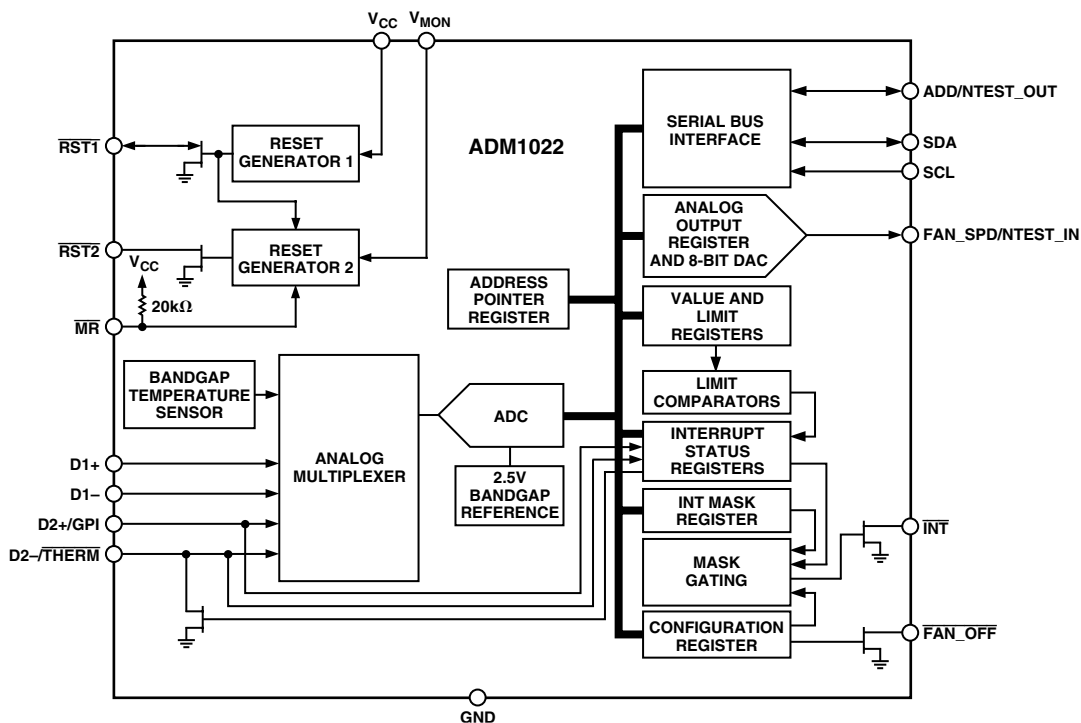
Measured values can be read out via a serial System Management Bus, and values for limit comparisons can be programmed in over the same serial bus.

The ADM1022 also contains a DAC for fan speed control. Automatic hardware temperature trip points are provided and the fan will be driven to full speed if they are exceeded.

Finally, the chip has two supply voltage monitors for brownout detection.

The ADM1022's 3.0 V to 5.5 V supply voltage range, low supply current, and SMBus interface make it ideal for a wide range of applications. These include hardware monitoring and protection applications in personal computers, electronic test equipment and office electronics.

### FUNCTIONAL BLOCK DIAGRAM



REV. 0

Information furnished by Analog Devices is believed to be accurate and reliable. However, no responsibility is assumed by Analog Devices for its use, nor for any infringements of patents or other rights of third parties which may result from its use. No license is granted by implication or otherwise under any patent or patent rights of Analog Devices.

# ADM1022—SPECIFICATIONS ( $T_A = T_{MIN}$ to $T_{MAX}$ , $V_{CC} = V_{MIN}$ to $V_{MAX}$ , unless otherwise noted.)

Parameter	Min	Typ <sup>1</sup>	Max	Unit	Test Conditions
<b>POWER SUPPLY</b>					
Supply Voltage, $V_{CC}$	3.0	3.30	5.5	V	Interface Inactive, ADC Active
Supply Current, $I_{CC}$		1.4	2.6	mA	
<b>TEMPERATURE-TO-DIGITAL CONVERTER</b>					
Internal Sensor Accuracy			$\pm 3$	$^{\circ}\text{C}$	$T_A = 85^{\circ}\text{C}$ , Tested at Wafer Sort
Resolution		$\pm 1$	$\pm 2$	$^{\circ}\text{C}$	
External Diode Sensor Accuracy		1		$^{\circ}\text{C}$	
Resolution			$\pm 5$	$^{\circ}\text{C}$	$T_A = 85^{\circ}\text{C}$ , Tested at Wafer Sort
Remote Sensor Source Current			$\pm 3$	$^{\circ}\text{C}$	
Resolution		1		$^{\circ}\text{C}$	High Level ( $D+ = D- + 0.65\text{ V}$ ) Low Level ( $D+ = D- + 0.65\text{ V}$ )
Remote Sensor Source Current	60	90	130	$\mu\text{A}$	
Total Monitoring Cycle Time, $t_c$	3.5	5.5	7.5	$\mu\text{A}$	
			200	ms	
<b>ANALOG OUTPUT</b>					
Output Voltage Range	0		2.5	V	$I_L = 2\text{ mA}$
Total Unadjusted Error, TUE			$\pm 5$	%	
Full-Scale Error		$\pm 1$	$\pm 3$	%	No Load Monotonic by Design
Zero Error		$\pm 2$		LSB	
Differential Nonlinearity, DNL			$\pm 1$	LSB	
Integral Nonlinearity		$\pm 1$		LSB	
Output Source Current		2		mA	
Output Sink Current		1		mA	
<b>VOLTAGE MONITOR THRESHOLDS</b>					
Reset Threshold, $V_{MON}$ , $V_{CC}$	2.85	2.925	3.00	V	Measured with $V_{CC}$ Falling
Hysteresis		50		mV	
<b><math>\overline{\text{MR}}</math> INPUT</b>					
$\overline{\text{MR}}$ Minimum Pulsewidth, $t_{MR}$	10			$\mu\text{s}$	
$\overline{\text{MR}}$ Glitch Immunity		100		ns	
$\overline{\text{MR}}$ to $\overline{\text{RST2}}$ Propagation Delay, $t_{MD}$		0.5		$\mu\text{s}$	
$\overline{\text{MR}}$ Pull-Up Resistance	10	20	30	k $\Omega$	
<b>RESET OUTPUTS, <math>\overline{\text{RST1}}</math>, <math>\overline{\text{RST2}}</math></b>					
Reset Output Voltage, $V_{OL}$			0.3	V	$I_{SINK} = 1.2\text{ mA}$ $V_{CC} = V_{TH}(\text{MAX})$
Reset Active Timeout Period, $t_{RP}$	140	180	560	ms	
$V_{CC}$ to Reset Delay, $t_D$		20		$\mu\text{s}$	
<b>DIGITAL OUTPUT ADD/NTEST_OUT<sup>2</sup></b>					
Output High Voltage, $V_{OH}$	2.4			V	$I_{OUT} = 3.0\text{ mA}$
Output Low Voltage, $V_{OL}$			0.4	V	
<b>OPEN-DRAIN DIGITAL OUTPUTS (INT, THERM, <math>\overline{\text{RST2}}</math>, <math>\overline{\text{RST1}}</math>)</b>					
Output Low Voltage, $V_{OL}$			0.4	V	$I_{OUT} = -3.0\text{ mA}$ $V_{OUT} = V_{CC}$
High Level Output Leakage Current, $I_{OH}$		0.1	1	$\mu\text{A}$	
<b>OPEN-DRAIN SERIAL DATA BUS OUTPUT (SDA)</b>					
Output Low Voltage, $V_{OL}$			0.4	V	$I_{OUT} = -3.0\text{ mA}$ $V_{OUT} = V_{CC}$
High Level Output Leakage Current, $I_{OH}$		0.1	1	$\mu\text{A}$	
<b>SERIAL BUS DIGITAL INPUTS (SCL, SDA)</b>					
Input High Voltage, $V_{IH}$	2.1			V (min)	
Input Low Voltage, $V_{IL}$			0.8	V (max)	
Input Leakage Current			$\pm 5$	$\mu\text{A}$	
Hysteresis		500		mV	

Parameter	Min	Typ	Max	Unit	Test Conditions
DIGITAL INPUT LOGIC LEVELS (FAN_SPD/NTEST_IN, ADD/NTEST_OUT, MR, GPI) Input High Voltage, $V_{IH}$ Input Low Voltage, $V_{IL}$	2.2		0.8	V V	
DIGITAL INPUT LEAKAGE CURRENT (ALL DIGITAL INPUTS) Input High Current, $I_{IH}$ Input Low Current, $I_{IL}$ Input Capacitance, $C_{IN}$	-1	-0.005 +0.005 5	+1	$\mu$ A $\mu$ A pF	$V_{IN} = V_{CC}$ $V_{IN} = 0$
SERIAL BUS TIMING <sup>3</sup> Clock Frequency, $f_{SCLK}$ Glitch Immunity, $t_{SW}$ Bus Free Time, $t_{BUF}$ Start Setup Time, $t_{SU:STA}$ Start Hold Time, $t_{HD:STA}$ Stop Condition Setup Time, $t_{SU:STO}$ SCL Low Time, $t_{LOW}$ SCL High Time, $t_{HIGH}$ SCL, SDA Rise Time, $t_R$ SCL, SDA Fall Time, $t_F$ Data Setup Time, $t_{SU:DAT}$ Data Hold Time, $t_{HD:DAT}$	1.3 600 600 600 1.3 0.6  100 300	50	400	kHz ns $\mu$ s ns ns ns $\mu$ s $\mu$ s ns ns ns ns	See Figure 1 See Figure 1 See Figure 1 See Figure 1 See Figure 1 See Figure 1 See Figure 1 See Figure 1 See Figure 1 See Figure 1 See Figure 1 See Figure 1

NOTES

<sup>1</sup>Typicals are at  $T_A = 25^\circ\text{C}$  and represent most likely parametric norm. Standby current typ is measured with  $V_{CC} = 3.3\text{ V}$ .

<sup>2</sup>ADD is a three-state input that may be pulled high, low or left open-circuit.

<sup>3</sup>Timing specifications are tested at logic levels of  $V_{IL} = 0.8\text{ V}$  for a falling edge and  $V_{IH} = 2.2\text{ V}$  for a rising edge.

Specifications subject to change without notice.

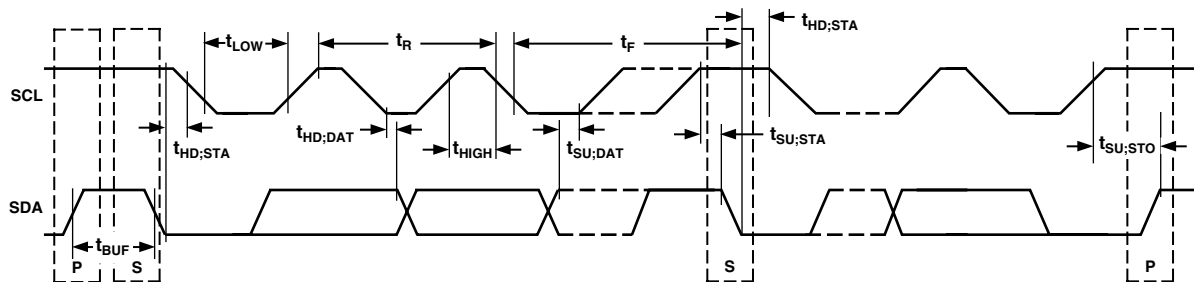


Figure 1. Diagram for Serial Bus Timing

# ADM1022

## ABSOLUTE MAXIMUM RATINGS\*

Positive Supply Voltage ( $V_{CC}$ )	6.5 V
Voltage On Digital Inputs Except Therm	-0.3 V to +6.5 V
Voltage On Therm Pin	-0.3 V to $V_{CC} + 0.3$ V
Voltage on Any Other Input or Output Pin	-0.3 V to $V_{CC} + 0.3$ V
Input Current at Any Pin	$\pm 5$ mA
Package Input Current	$\pm 20$ mA
Maximum Junction Temperature ( $T_j$ max)	150°C
Storage Temperature Range	-65°C to +150°C
Lead Temperature, Soldering	
Vapor Phase 60 sec	215°C
Infrared 15 sec	200°C
ESD Rating (Human Body Model)	4000 V

\*Stresses above those listed under Absolute Maximum Ratings may cause permanent damage to the device. This is a stress rating only; functional operation of the device at these or any other conditions above those indicated in the operational section of this specification is not implied. Exposure to absolute maximum rating conditions for extended periods may affect device reliability.

## THERMAL CHARACTERISTICS

16-Lead QSOP Package

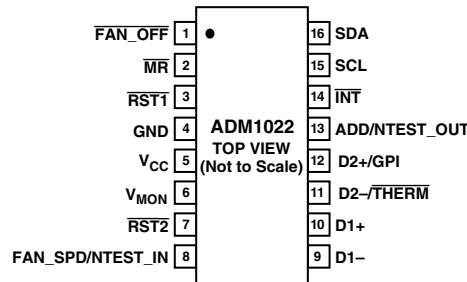
$$\theta_{JA} = 105^{\circ}\text{C}/\text{W}$$

$$\theta_{JA} = 39^{\circ}\text{C}/\text{W}$$

## ORDERING GUIDE

Model	Temperature Range	Package Description	Package Option
ADM1022ARQ	0°C to 85°C	16-Lead QSOP	RQ-16

## PIN CONFIGURATION



## PIN FUNCTION DESCRIPTION

Pin No.	Mnemonic	Description
1	$\overline{\text{FAN\_OFF}}$	Digital Output (Open-Drain) Fan Off Request. When asserted low this indicates a request to shut off the fan independent of the FAN_SPD output. When negated (output FET off) it indicates that the fan may be turned on.
2	$\overline{\text{MR}}$	Digital Input, Manual Reset. A logic low on this input causes $\overline{\text{RST2}}$ to be asserted. Once this input is negated that output will remain asserted for $t_{\text{RP}}$ . This input has an internal 20 k $\Omega$ pull-up resistor. Leave unconnected if not used.
3	$\overline{\text{RST1}}$	Digital I/O (Open-Drain). This pin is asserted low while $V_{\text{CC}}$ remains below the reset threshold. It remains asserted for $t_{\text{RP}}$ after the reset condition is terminated. It is bidirectional so the ADM1022 can be optionally reset; external logic must be used to prevent system auxiliary reset from occurring when used as an input.
4	GND	GROUND. Power and Signal Ground.
5	$V_{\text{CC}}$	POWER 3.3 V. Power source and voltage monitor input for first reset generator.
6	$V_{\text{MON}}$	Analog Input. Voltage monitor input for second reset generator.
7	$\overline{\text{RST2}}$	Digital Output (Open-Drain). This pin is asserted low under any of the following conditions: <ul style="list-style-type: none"> <li>– <math>V_{\text{MON}}</math> or <math>V_{\text{CC}}</math> remains below the reset threshold</li> <li>– while <math>\overline{\text{MR}}</math> is held low</li> <li>– while <math>\overline{\text{RST1}}</math> is asserted.</li> </ul> It remains asserted for $t_{\text{RP}}$ after the reset conditions are terminated.
8	FAN_SPD/NTEST_IN	Analog Output/Test Input. An active-high input that enables NAND board-level connectivity testing. Refer to section on NAND testing. Used as an analog output for fan speed control when NAND test is not selected.
9	D1–	Remote Thermal Diode Negative Input. This is the negative input (current sink) from the remote thermal diode. This also serves as the negative input into the A/D.
10	D1+	Remote Thermal Diode Positive Input. This is the positive input (current source) from the remote thermal diode. This serves as the positive input into the A/D.
11	D2–/ $\overline{\text{THERM}}$	Analog Input/Digital I/O (Open-Drain). Can be programmed as negative input for a second diode temperature sensor, or as a digital I/O pin. In this case it is an active low thermal overload output that indicates a violation of a temperature set point (over-temperature). Also acts as an input to provide external fan control. When this pin is pulled low by an external signal, a status bit is set and the fan speed is set to full on.
12	D2+/ $\overline{\text{GPI}}$	Analog/Digital Input. Can be programmed as the positive input for a second diode sensor, or as a general-purpose logic input. In this case it can be programmed as an active high or active low input that sets Bit 4 of the Status Registers. This bit can only be reset by reading the status registers, provided GPI is in the inactive state.
13	ADD/NTEST_OUT	Digital I/O. The lowest order programmable bit of the SMBus Address. ADD is sampled at power-up and changing it while powered on will have no immediate effect. This pin also functions as an output when doing a NAND test.
14	$\overline{\text{INT}}$	Digital Output (Open Drain), System Interrupt Output. This signal indicates a violation of a set trip point. The output is enabled when Bit 1 of the Configuration Register is set to 1. The default state is disabled.
15	SCL	Digital Input SMBus Clock.
16	SDA	Digital I/O (Open-Drain) SMBus Bidirectional Data.

# ADM1022 – Typical Performance Characteristics

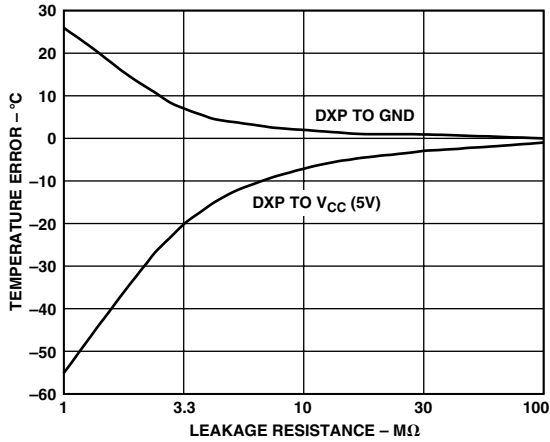


Figure 2. Temperature Error vs. PC Leakage Resistance

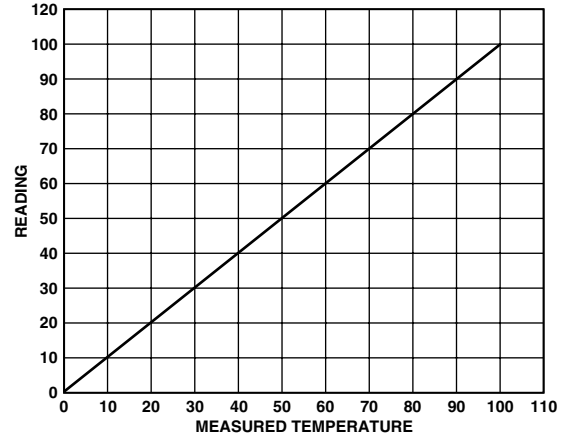


Figure 5. Pentium® III Temperature Measurement vs. ADM1022 Reading

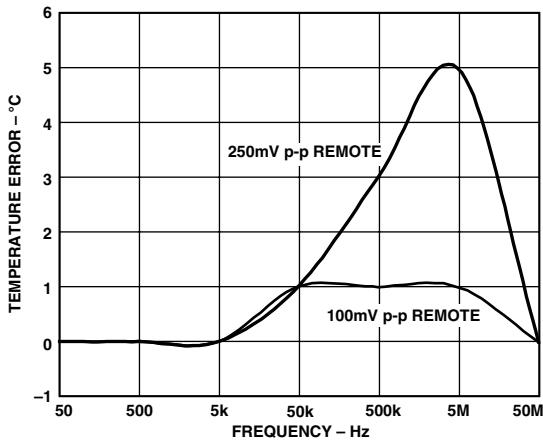


Figure 3. Temperature Error vs. Power Supply Noise Frequency

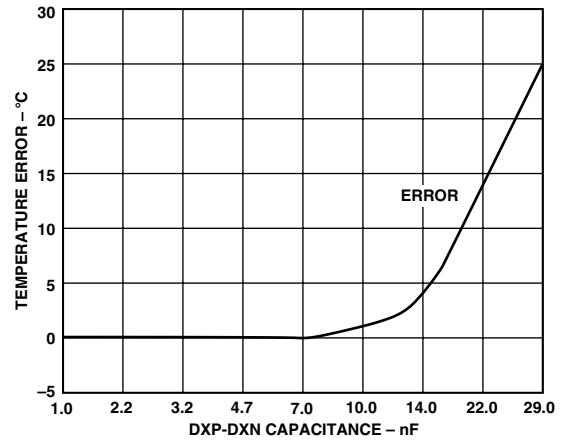


Figure 6. Temperature Error vs. Capacitance Between D+ and D-

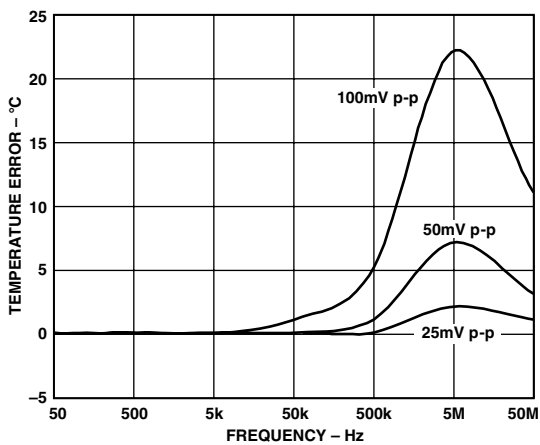


Figure 4. Temperature Error vs. Common-Mode Noise Frequency

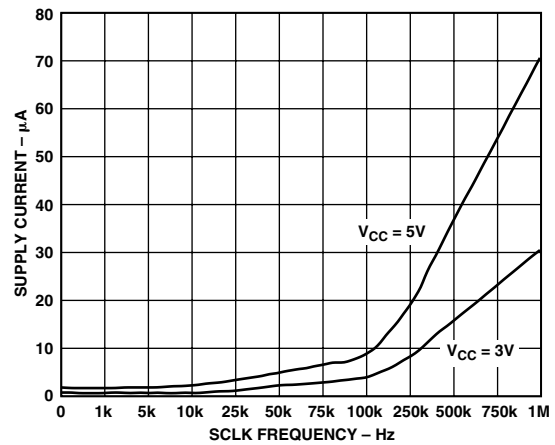


Figure 7. Standby Current vs. Clock Frequency

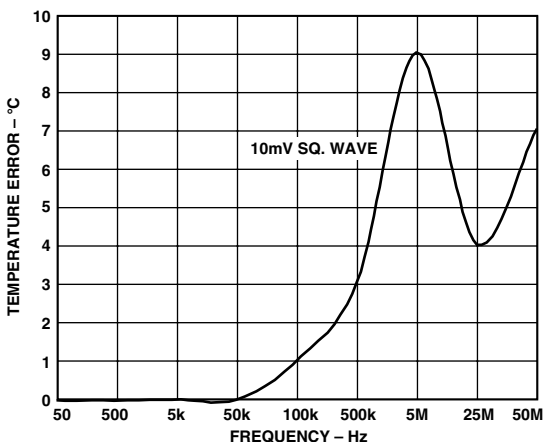


Figure 8. Temperature Error vs. Differential-Mode Noise Frequency

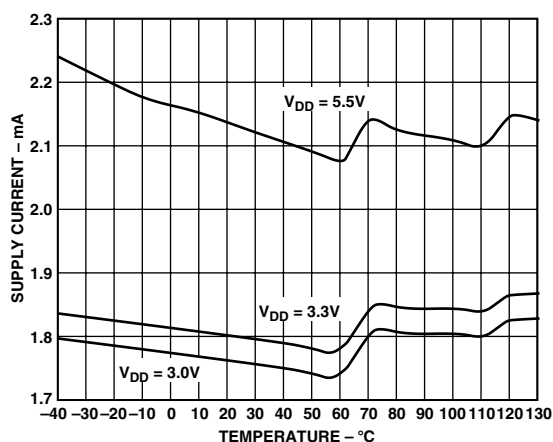


Figure 9. Standby Supply Current vs. Supply Voltage

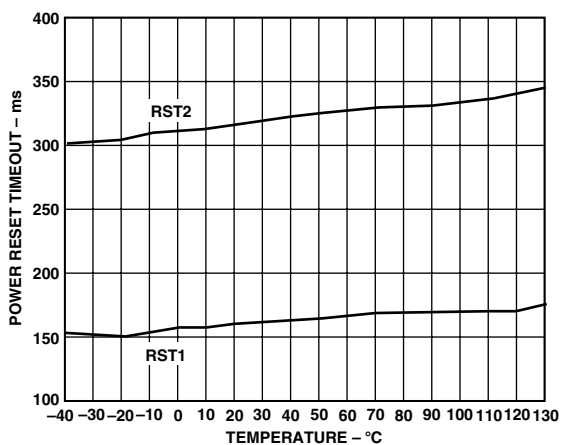


Figure 10. Power-up Reset vs. Temperature

## GENERAL DESCRIPTION

The ADM1022 is a low-cost temperature monitor and fan controller for microprocessor-based systems. The temperature of one or two remote sensor diodes may be measured, allowing monitoring of processor temperature in single- or dual-processor systems. The chip also contains an on-chip sensor to allow ambient temperature to be monitored.

Measured values can be read out via a serial System Management Bus, and values for limit comparisons can be programmed in over the same serial bus.

The ADM1022 also contains a DAC for fan speed control. Automatic hardware temperature trip points are provided for fault tolerant fan control and the fan will be driven to full speed if they are exceeded. Two interrupt outputs are provided, which will be asserted if the software or hardware limits are exceeded.

Finally, the chip has two supply voltage monitors for brownout detection. These drive two reset pins, one of which is bidirectional. A manual reset input is also provided.

## INTERNAL REGISTERS OF THE ADM1022

A brief description of the ADM1022's principal internal registers is given below. More detailed information on the function of each register is given in Tables IV to IX.

**Configuration Register:** Provides control and configuration.

**Address Pointer Register:** This register contains the address that selects one of the other internal registers. When writing to the ADM1022, the first byte of data is always a register address, which is written to the Address Pointer Register.

**Interrupt ( $\overline{\text{INT}}$ ) Status Register:** This register provides status of each Interrupt event. It is also mirrored by a second register at address 4Ch.

**Interrupt ( $\overline{\text{INT}}$ ) Mask Register:** Allows masking of individual interrupt sources.

**Value and Limit Registers:** The results of temperature measurements are stored in these registers, along with their limit values.

**Analog Output Register:** The code controlling the analog output DAC is stored in this register.

## SERIAL BUS INTERFACE

Control of the ADM1022 is carried out via the serial bus. The ADM1022 is connected to this bus as a slave device, under the control of a master device, e.g., the PIIX4.

The ADM1022 has a 7-bit serial bus address. When the device is powered up, it will do so with a default serial bus address. The five MSBs of the address are set to 01011, the two LSBs are determined by the logical states of Pin 13 (ADD/NTEST\_OUT). This is a three-state input that can be grounded, connected to  $V_{CC}$  or left open-circuit to give three different addresses. The state of the ADD pin is only sampled at power-up, so changing ADD with power-on will have no effect until the device is powered off then on again.

Table I. ADD Pin Truth Table

ADD Pin	A1	A0
GND	1	0
No Connect	0	0
$V_{CC}$	0	1



# ADM1022

If ADD is left open-circuit the default address will be 0101100.

The facility to make hardwired changes to A1 and A0 allows the user to avoid conflicts with other devices sharing the same serial bus; for example, if more than one ADM1022 is used in a system.

The serial bus protocol operates as follows:

1. The master initiates data transfer by establishing a START condition, defined as a high-to-low transition on the serial data line SDA while the serial clock line SCL remains high. This indicates that an address/data stream will follow. All slave peripherals connected to the serial bus respond to the START condition, and shift in the next eight bits, consisting of a 7-bit address (MSB first) plus an  $R/\overline{W}$  bit, which determines the direction of the data transfer, i.e., whether data will be written to or read from the slave device.  
  
The peripheral whose address corresponds to the transmitted address responds by pulling the data line low during the low period before the ninth clock pulse, known as the Acknowledge Bit. All other devices on the bus now remain idle while the selected device waits for data to be read from or written to it. If the  $R/\overline{W}$  bit is a 0, the master will write to the slave device. If the  $R/\overline{W}$  bit is a one, the master will read from the slave device.
2. Data is sent over the serial bus in sequences of nine clock pulses, eight bits of data followed by an Acknowledge Bit from the slave device. Transitions on the data line must occur during the low period of the clock signal and remain stable during the high period, as a low-to-high transition when the clock is high may be interpreted as a STOP signal. The number of data bytes that can be transmitted over the serial bus in a single READ or WRITE operation is limited only by what the master and slave devices can handle.
3. When all data bytes have been read or written, stop conditions are established. In WRITE mode, the master will pull the data line high during the 10th clock pulse to assert a STOP condition. In READ mode, the master device will override the acknowledge bit by pulling the data line high during the low period before the 9th clock pulse. This is known as No Acknowledge. The master will then take the data line low during the low period before the 10th clock pulse, then high during the 10th clock pulse to assert a STOP condition.

Any number of bytes of data may be transferred over the serial bus in one operation, but it is not possible to mix read and write in one operation, because the type of operation is determined at the beginning and cannot subsequently be changed without starting a new operation.

In the case of the ADM1022, write operations contain either one or two bytes, and read operations contain one byte, and perform the following functions:

To write data to one of the device data registers or read data from it, the Address Pointer Register must be set so that the correct data register is addressed, then data can be written into that register or read from it. The first byte of a write operation always contains an address that is stored in the Address Pointer Register. If data is to be written to the device, then the write operation contains a second data byte that is written to the register selected by the address pointer register.

This is illustrated in Figure 11a. The device address is sent over the bus followed by  $R/\overline{W}$  set to 0. This is followed by two data bytes. The first data byte is the address of the internal data register to be written to, which is stored in the Address Pointer Register. The second data byte is the data to be written to the internal data register.

When reading data from a register there are two possibilities:

1. If the ADM1022's Address Pointer Register value is unknown or not the desired value, it is first necessary to set it to the correct value before data can be read from the desired data register. This is done by performing a write to the ADM1022 as before, but only the data byte containing the register address is sent, as data is not to be written to the register. This is shown in Figure 11b.  
  
A read operation is then performed consisting of the serial bus address,  $R/\overline{W}$  bit set to 1, followed by the data byte read from the data register. This is shown in Figure 11c.
2. If the Address Pointer Register is known to be already at the desired address, data can be read from the corresponding data register without first writing to the Address Pointer Register, so Figure 11b can be omitted.

## NOTES

1. Although it is possible to read a data byte from a data register without first writing to the Address Pointer Register, if the Address Pointer Register is already at the correct value, it is not possible to write data to a register without writing to the Address Pointer Register, because the first data byte of a write is always written to the Address Pointer Register.
2. In Figures 11a to 11c, the serial bus address is shown as the default value 01011(A1)(A0), where A1 and A0 are set by the three-state ADD pin.
3. The ADM1022 also supports the Read Byte protocol, as described in the System Management Bus specification.

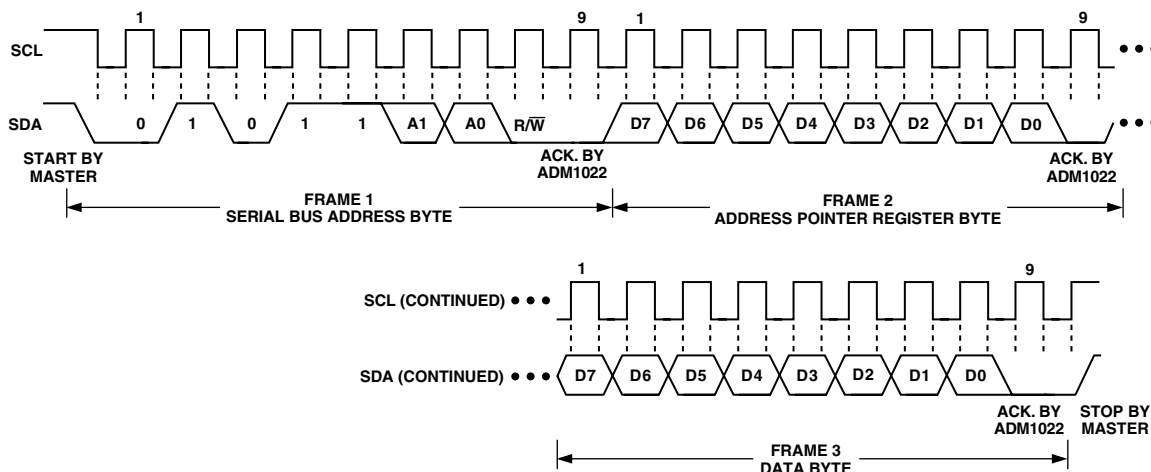


Figure 11a. Writing a Register Address to the Address Pointer Register, then Writing Data to the Selected Register

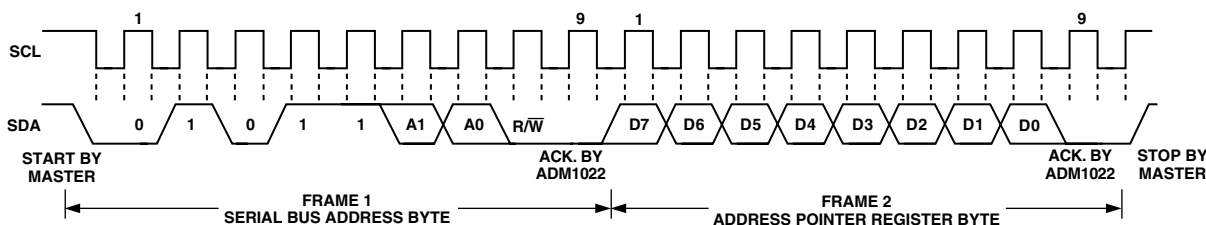


Figure 11b. Writing to the Address Pointer Register Only

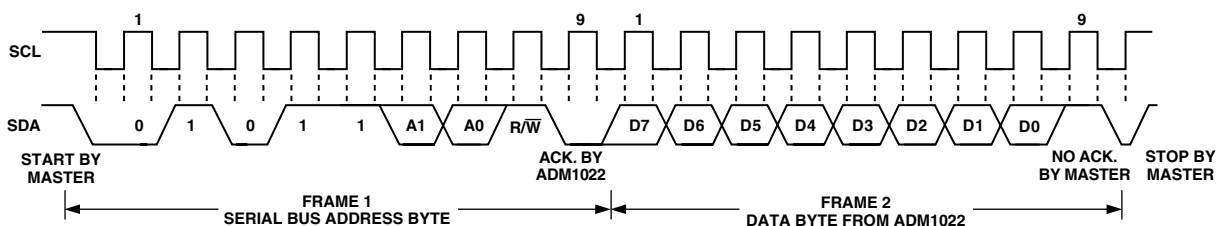


Figure 11c. Reading Data from a Previously Selected Register

## TEMPERATURE MEASUREMENT SYSTEM

### Internal Temperature Measurement

The ADM1022 contains an on-chip bandgap temperature sensor. The on-chip ADC performs conversions on the output of this sensor and outputs the temperature data in 8-bit two's complement format. The format of the temperature data is shown in Table II.

### External Temperature Measurement

The ADM1022 can measure the temperature of two external diode sensors or diode-connected transistors, connected to Pins 9 and 10 or 11 and 12.

Pins 9 and 10 are a dedicated temperature input channel. The default function of Pins 11 and 12 is the THERM input/output and a general purpose logic input (GPI), but they can be configured to measure a diode sensor by setting Bit 7 of the Configuration Register to 1.

The forward voltage of a diode or diode-connected transistor, operated at a constant current, exhibits a negative temperature coefficient of about  $-2 \text{ mV}/^\circ\text{C}$ . Unfortunately, the absolute value

of  $V_{BE}$ , varies from device to device, and individual calibration is required to null this out, so the technique is unsuitable for mass-production.

The technique used in the ADM1022 is to measure the change in  $V_{BE}$  when the device is operated at two different currents.

This is given by:

$$\Delta V_{BE} = KT/q \times \ln(N)$$

where:

$K$  is Boltzmann's constant

$q$  is charge on the carrier

$T$  is absolute temperature in Kelvins

$N$  is ratio of the two currents

Figure 12 shows the input signal conditioning used to measure the output of an external temperature sensor. This figure shows the external sensor as a substrate transistor, provided for temperature monitoring on some microprocessors, but it could equally well be a discrete transistor.

# ADM1022

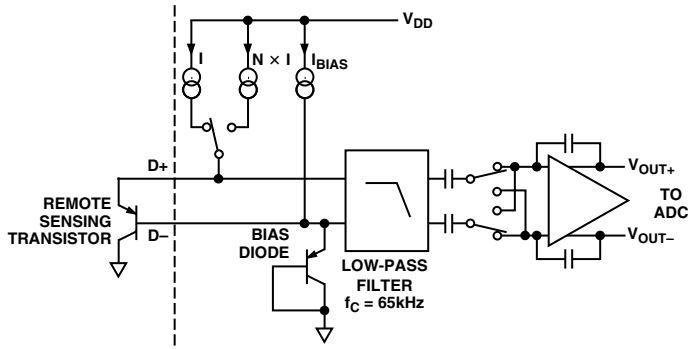


Figure 12. Signal Conditioning

If a discrete transistor is used, the collector will not be grounded, and should be linked to the base. If a PNP transistor is used the base is connected to the D- input and the emitter to the D+ input. If an NPN transistor is used, the emitter is connected to the D- input and the base to the D+ input.

Table II. Temperature Data Format

Temperature	Digital Output
-128°C	1000 0000
-125°C	1000 0011
-100°C	1001 1100
-75°C	1011 0101
-50°C	1100 1110
-25°C	1110 0111
-1°C	1111 1111
0°C	0000 0000
+1°C	0000 0001
+10°C	0000 1010
+25°C	0001 1001
+50°C	0011 0010
+75°C	0100 1011
+100°C	0110 0100
+125°C	0111 1101
+127°C	0111 1111

To prevent ground noise interfering with the measurement, the more negative terminal of the sensor is not referenced to ground, but is biased above ground by an internal diode at the D- input. If the sensor is used in a very noisy environment, a capacitor of value up to 1000 pF may be placed between the D+ and D- inputs to filter the noise.

To measure  $\Delta V_{BE}$ , the sensor is switched between operating currents of  $I$  and  $N \times I$ . The resulting waveform is passed through a 65 kHz low-pass filter to remove noise, thence to a chopper-stabilized amplifier that performs the functions of amplification and rectification of the waveform to produce a dc voltage proportional to  $\Delta V_{BE}$ . This voltage is measured by the ADC to give a temperature output in 8-bit twos complement format. To further reduce the effects of noise, digital filtering is performed by averaging the results of 16 measurement cycles. An external temperature measurement takes nominally 9.6 ms.

## LAYOUT CONSIDERATIONS

Digital boards can be electrically noisy environments, and care must be taken to protect the analog inputs from noise, particularly when measuring the very small voltages from a remote diode sensor. The following precautions should be taken:

1. Place the ADM1022 as close as possible to the remote sensing diode. Provided that the worst noise sources such as clock generators, data/address buses and CRTs are avoided, this distance can be four to eight inches.
2. Route the D+ and D- tracks close together, in parallel, with grounded guard tracks on each side. Provide a ground plane under the tracks if possible.
3. Use wide tracks to minimize inductance and reduce noise pickup. 10 mil track minimum width and spacing is recommended.



Figure 13. Arrangement of Signal Tracks

4. Try to minimize the number of copper/solder joints, which can cause thermocouple effects. Where copper/solder joints are used, make sure that they are in both the D+ and D- path and at the same temperature.

Thermocouple effects should not be a major problem as 1°C corresponds to about 200  $\mu V$ , and thermocouple voltages are about 3  $\mu V/^\circ C$  of temperature difference. Unless there are two thermocouples with a big temperature differential between them, thermocouple voltages should be much less than 200  $\mu V$ .

5. Place 0.1  $\mu F$  bypass and 1000 pF input filter capacitors close to the ADM1022.
6. If the distance to the remote sensor is more than eight inches, the use of twisted pair cable is recommended. This will work up to about 6 to 12 feet.
7. For really long distances (up to 100 feet) use a shielded twisted pair such as Belden #8451 microphone cable. Connect the twisted pair to D+ and D- and the shield to GND close to the ADM1022. Leave the remote end of the shield unconnected to avoid ground loops.

Because the measurement technique uses switched current sources, excessive cable and/or filter capacitance can affect the measurement. When using long cables, the filter capacitor C1 may be reduced or removed. In any case, the total shunt capacitance should not exceed 1000 pF.

Cable resistance can also introduce errors. 1  $\Omega$  series resistance introduces about 0.5°C error.

## ANALOG OUTPUT

The ADM1022 has a single analog output (FAN\_SPD) from an unsigned 8-bit DAC that produces 0 V–2.5 V. The analog output register defaults to 00 during power-on reset, which produces minimum fan speed. The analog output may be amplified and buffered with external circuitry such as an op amp and transistor to provide fan speed control.

Suitable fan drive circuits are given in Figures 14a to 14e. When using any of these circuits, the following points should be noted:

1. All of these circuits will provide an output range from zero to almost  $+V_{FAN}$ .
2. To amplify the 2.5 V range of the analog output up to  $+V_{FAN}$ , the gain of these circuits needs to be set as shown.
3. Care must be taken when choosing the op amp to ensure that its input common-mode range and output voltage swing are suitable.
4. The op amp may be powered from the +V rail alone. If it is powered from +V then the input common-mode range should include ground to accommodate the minimum output voltage of the DAC, and the output voltage should swing below 0.6 V to ensure that the transistor can be turned fully off.
5. In all these circuits, the output transistor must have an  $I_{C_{MAX}}$  greater than the maximum fan current, and be capable of dissipating power due to the voltage dropped across it when the fan is not operating at full speed.
6. If the fan motor produces a large back ElectroMotive Force (EMF) when switched off, it may be necessary to add clamp diodes to protect the output transistors in the event that the output goes from full-scale to zero very quickly.
7. Pulling FAN\_SPD/NTEST\_IN high externally on power-up causes NAND Test Mode to be invoked on the ADM1022. Therefore, a 4.7 k $\Omega$  pull-down resistor should be added externally to the FAN\_SPD pin to prevent ADM1022 inadvertently entering the NAND Tree Test Mode.

Figure 14c shows how the  $\overline{\text{FAN\_OFF}}$  signal may be used (with any of the control circuits) to gate the fan on and off independent of the value on the FAN\_SPD/NTEST\_IN pin.

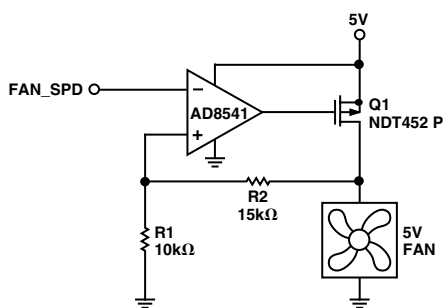


Figure 14a. 5 V Fan Circuit with Op Amp

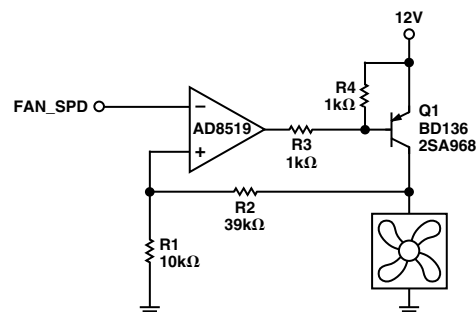


Figure 14b. 12 V Fan Circuit with Op Amp and PNP Transistor

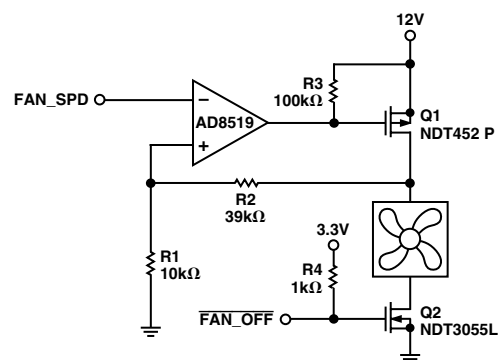


Figure 14c. 12 V Fan Circuit with Op Amp and P-Channel MOSFET

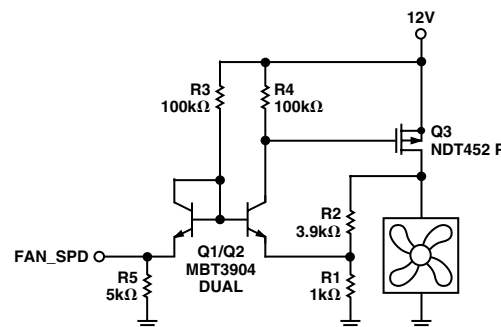


Figure 14d. Discrete 12 V Fan Drive Circuit with P-Channel MOSFET, Single Supply

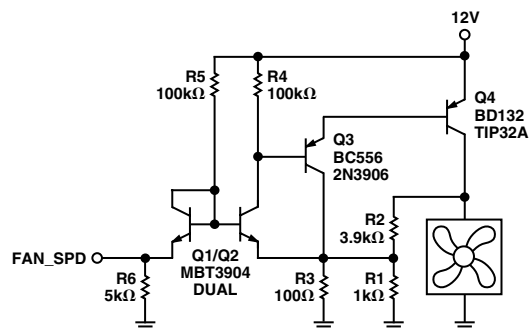


Figure 14e. Discrete 12 V Fan Drive Circuit with Bipolar Output Single Supply

# ADM1022

## FAULT TOLERANT FAN CONTROL

The ADM1022 incorporates a fault tolerant fan control capability that is tied to operation of the  $\overline{\text{THERM}}$  output. It can override the setting of the analog output and force it to maximum to give full fan speed in the event of a critical over-temperature problem, even if, for some reason, this has not been handled by the system software.

There are four temperature set point registers that will activate the fault tolerant fan control. Two of these limits are programmable by the user and two are hardware (read-only) registers that will operate if the user does not program any limits. The fault tolerant fan control is activated if a limit is exceeded for three or more consecutive readings. These limits are separate from the normal high and low temperature limits for the  $\overline{\text{INT}}$  output, which do not affect the fault tolerant fan control or  $\overline{\text{THERM}}$  output.

A hardware limit of 70°C for the on-chip temperature sensor is programmed into the register at address 13h. For the remote sensors, a hardware limit of 100°C is programmed in to the register at address 17h. These are the default limits and the analog output will be forced to full-scale if the on-chip sensor reads more than 70°C or either of the remote sensors reads more than 100°C. This makes the fault tolerant fan control fail-safe in that it will operate at these temperatures even if the user has programmed no other limits, or in the event of a software malfunction.

The user may override these default limits by programming new limits into registers at address 14h for the on-chip sensor and 18h for the remote sensors. The default values in these registers are the same as for the read-only registers (70°C and 100°C), but they may be programmed with higher or lower values.

Once registers 13h and 14h have been programmed, or if the default is acceptable, Bit 1 of the configuration register must be set to “1.” This bit is a write-once bit that can only be written to “1” and it has two effects:

1. It makes the values in registers 13h and 14h the active limits, and disables read-only registers 17h and 18h.
2. It locks the data into registers 13h and 14h, so they cannot be changed until the lock bit is reset, which is when  $\overline{\text{RST2}}$  is asserted or a Power-On Reset occurs.

Once the hardware override of the analog output is triggered, it will only return to normal operation after three consecutive measurements that are five degrees lower than each of the above limits.

The analog output can also be forced to full-scale by pulling the  $\overline{\text{THERM}}$  pin (Pin 11) low. Bit 6 of the Status Register is also set.

Whenever  $\text{FAN\_SPD}$  output is forced to full-scale, the  $\overline{\text{FAN\_OFF}}$  output is negated.

## THE ADM1022 INTERRUPT SYSTEM

The ADM1022 has two interrupt outputs,  $\overline{\text{INT}}$  and  $\overline{\text{THERM}}$ . These have different functions.  $\overline{\text{INT}}$  responds to violations of software programmed temperature limits and its interrupt sources are maskable, as described in more detail later.  $\overline{\text{THERM}}$  is intended as a “fail-safe” interrupt output that cannot be masked. Interrupts and status bits are only set if a limit is exceeded for at least three consecutive conversions.

Operation of the  $\overline{\text{INT}}$  output is illustrated in Figure 15. Assuming that the temperature starts off within the programmed limits and that temperature interrupt sources are not masked,  $\overline{\text{INT}}$  will go low if the temperature measured by any of the internal or external sensors goes outside the programmed high or low temperature limit for that sensor.  $\overline{\text{INT}}$  also goes low whenever  $\overline{\text{THERM}}$  is low.

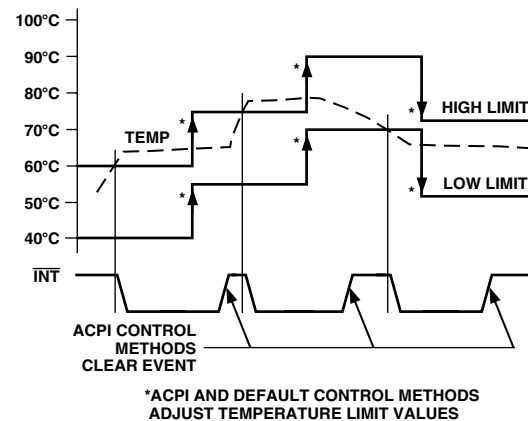


Figure 15. Operation of  $\overline{\text{INT}}$  Output

Once the interrupt has been cleared, it will not be reasserted even if the temperature remains outside the limit previously exceeded. However,  $\overline{\text{INT}}$  will be reasserted if:

- a) the temperature goes outside the other limit for the sensor
- or
- b) the previously exceeded limit is reprogrammed and the temperature is then outside the new limit on the next conversion cycle
- or
- c) an interrupt is generated by another source.

## INTERRUPT MASKING

Any of the bits in the Interrupt Status Register can be masked out by setting the corresponding mask bit in the Interrupt Mask Register. That interrupt source will then no longer generate an interrupt. However, the bits in the status register will be set as normal.

## INTERRUPT CLEARING

Reading the Interrupt Status Register will output the contents of the Register, then clear it. It will remain cleared until the monitoring cycle updates it, so the next read operation should not be performed on the register until this has happened, or the result will be invalid.

The  $\overline{\text{INT}}$  output is cleared with the  $\overline{\text{INT\_Clear}}$  bit, which is Bit 2 of the Configuration Register, without affecting the contents of the Interrupt ( $\overline{\text{INT}}$ ) Status Registers.

## INTERRUPT STATUS MIRROR REGISTER

Whenever a bit in the Interrupt Status Register is set, the corresponding bit is also set in the mirror register at address 4Ch. This register allows a second management system to access the status data without worrying about clearing the data. The data in this register is for reading only and has no effect on the interrupt output. The contents of this register are cleared when read.

## THERM INPUT/OUTPUT

Pin 11 may be configured as an input for a second temperature sensor by setting Bit 7 of the Configuration Register, or it may be used as an interrupt output by clearing Bit 7 of the Configuration Register, which is its default condition. The Thermal Management Input/Output ( $\overline{THERM}$ ) is a logic input/open-drain output. It can also function as a logic input. If  $\overline{THERM}$  is taken low by an external source, the analog output will be forced to FFh to switch a controlled fan to maximum speed and  $\overline{FAN\_OFF}$  will be negated.

## THERM OPERATING MODE

$\overline{THERM}$  responds only to the “hardware” temperature limits at addresses 13h, 14h, 17h and 18h, not to the software programmed limits. The function of these registers was described earlier with regard to fault tolerant fan speed control.

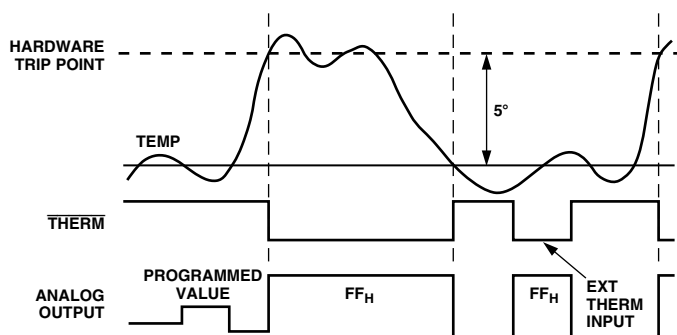


Figure 16. Operation of  $\overline{THERM}$  Output

$\overline{THERM}$  will go low if the hardware temperature limit is exceeded for three consecutive measurements. It will remain low until the

temperature falls five degrees below the limit for three consecutive measurements. While  $\overline{THERM}$  is low, the analog output will go to FFh to boost a controlled fan to full speed and  $\overline{FAN\_OFF}$  will be negated.

When the Fault Tolerant Fan Control state is exited, the analog FAN\_SPD output returns to its previously programmed value, which may have been changed during the time that the FAN\_SPD output was forced to FFh.

## INTERRUPT STRUCTURE

The Interrupt Structure of the ADM1022 is shown in more detail in Figure 17. As each measurement value is obtained and stored in the appropriate value register, the value and the limits from the corresponding limit registers are fed to the high and low limit comparators. The result of each comparison (1 = out of limit, 0 = in limit) is routed to the corresponding bit input of the Interrupt Status Register via a data demultiplexer, and used to set that bit high or low as appropriate.

The Interrupt Mask Register has bits corresponding to each of the Interrupt Status Register Bits. Setting an Interrupt Mask Bit high forces the corresponding Status Bit output low, while setting an Interrupt Mask Bit low allows the corresponding Status Bit to be asserted. After masking, the status bits are all OR'd together to produce the  $\overline{INT}$  output, which will pull low if any unmasked status bit goes high, i.e., when any measured value goes out of limit.

The  $\overline{INT}$  output is enabled when Bit 1 of the Configuration Register ( $\overline{INT\_Enable}$ ) is high, and Bit 2 ( $\overline{INT\_Clear}$ ) is low.

The  $\overline{THERM}$  output cannot be cleared nor its interrupt sources masked.

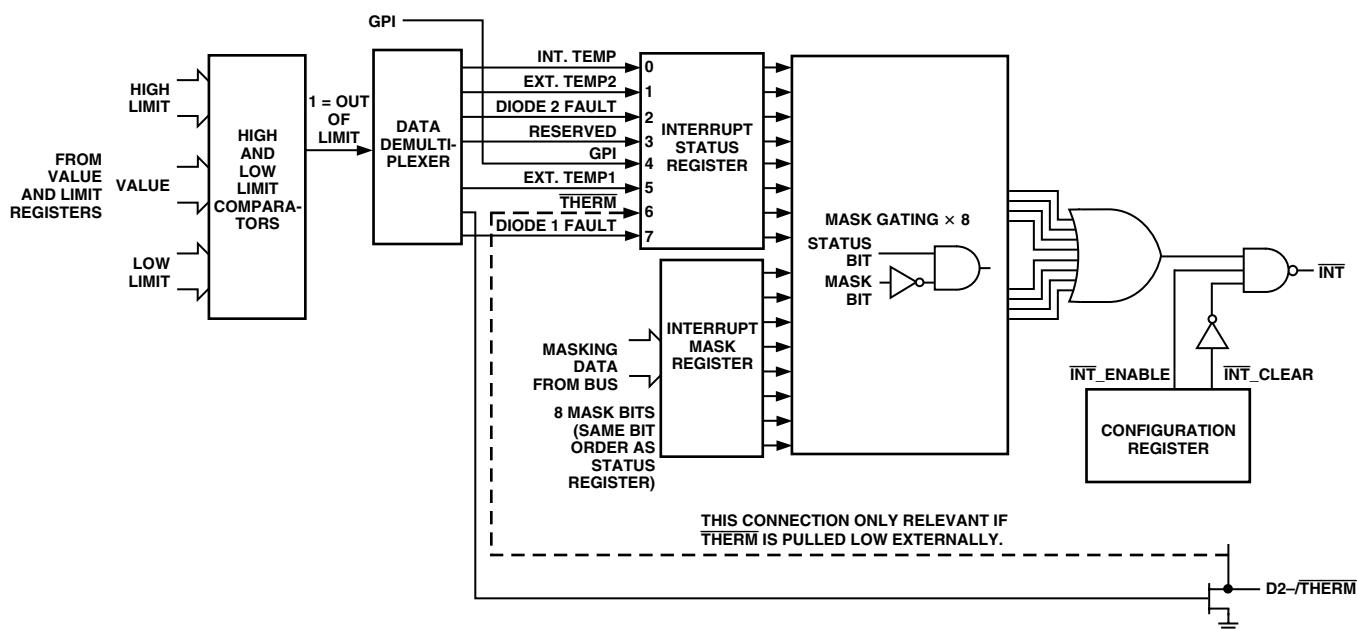


Figure 17. Interrupt Register Structure

# ADM1022

## GENERAL PURPOSE LOGIC INPUT (GPI)

Pin 12 may be configured as an input for a second temperature sensor input by setting Bit 7 of the Configuration Register, or it may be used as a general purpose logic input by clearing Bit 7 of the Configuration Register, which is its default condition. The GPI input may be programmed to be active high or active low by clearing or setting Bit 6 of the Configuration Register. The default value is active high. Bit 4 of the Interrupt Status Register follows the state (or inverted state) of GPI and will generate an interrupt when it is set to one, like any other input to the Interrupt Status Register. However, the GPI bit is not latched in the Status Register and always reflects the current state (or inverted state) of the GPI input. If it is one it will not be cleared by reading the Status Register.

## RESETS

The ADM1022 has a manual reset input, (Pin 2 –  $\overline{MR}$ ), a bidirectional reset pin, (Pin 3 –  $\overline{RST1}$ ) and a reset output (Pin 7 –  $\overline{RST2}$ ). These operate as follows:

Taking  $\overline{MR}$  low forces a system reset and takes the  $\overline{RST2}$  output low. It will remain low for  $t_{RP}$  after  $\overline{MR}$  goes high again. The  $\overline{MR}$  input has a 20 k $\Omega$  pull-up resistor, and may be left unconnected if not used.  $\overline{MR}$  is typically used to generate a system reset from a front-panel push-button.

The  $\overline{RST1}$  pin is a bidirectional I/O. It is asserted low as an output if  $V_{CC}$  falls below the reset threshold. It can also operate as a reset input to the ADM1022 in the same way as  $\overline{MR}$ . At power-up,  $\overline{RST2}$  will remain asserted for  $t_{RP}$  after  $\overline{RST1}$  goes high.

The  $\overline{RST2}$  output is asserted low under any of the following conditions:

- the  $\overline{MR}$  input is low, as previously described,
- $\overline{RST1}$  is asserted low as an output or pulled low as an input,
- $V_{MON}$  is below the reset threshold.

## POWER-ON RESET

When the ADM1022 is powered up, it will initiate a power-on reset sequence when the supply voltage  $V_{CC}$  rises above the power-on reset threshold, with registers being reset to their power-on values. Normal operation will begin when the supply voltage rises above the reset threshold. Registers whose power-on values are not shown have power on conditions that are indeterminate (this includes the Value and Limit Registers). In most applications, usually the first action after power-on would be to write limits into the Limit Registers.

Power-on reset clears or initializes the following registers (the initialized values are shown in Table IV):

- Configuration Register
- Interrupt Status Register
- Interrupt Status Mirror Register
- Interrupt Mask Register
- Test Register
- Analog Output Register
- Programmable Trip Point Registers

Operation of the reset outputs at power-up, and for a manual reset input, is shown in Figure 18. It should be noted that the resets will only be asserted once  $V_{CC}$  rises above 1 V. Below this voltage there is insufficient gate drive voltage to turn on the output FETs. If the device being reset and its pull-up resistor is supplied from  $V_{CC}$ , the reset voltage will rise with  $V_{CC}$  to 1 V before being pulled low. If the device being reset and its pull-up resistor use a separate supply voltage, the reset output will follow that voltage until reset is asserted.

The ADM1022 can also be reset by taking  $\overline{RST1}$  low as an input. The above-mentioned registers will be reset to their default values and the ADC will remain inactive as long as  $\overline{RST1}$  is below the reset threshold.

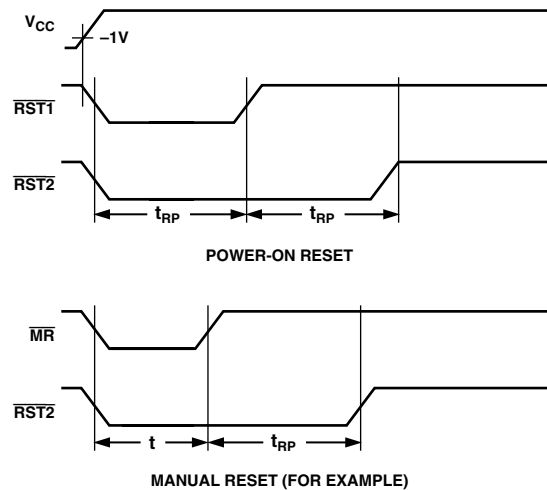


Figure 18. Operation of Reset Outputs

## $\overline{RST1}$ AS I/O

If  $\overline{RST1}$  is used as a reset input to the ADM1022 while also being used as a system reset output, it will be necessary to separate the two functions so that a reset from the system to the ADM1022 does not also reset the system.

This can be achieved using the circuit of Figure 19. If  $\overline{ALT\_RST}$  is high, then reset outputs from the ADM1022 can pass through N2 to reset the system.

If, however,  $\overline{ALT\_RST}$  is low, the ADM1022 will be reset, but  $\overline{SYS\_RST}$  will be held high by the high input from N1 to N2.

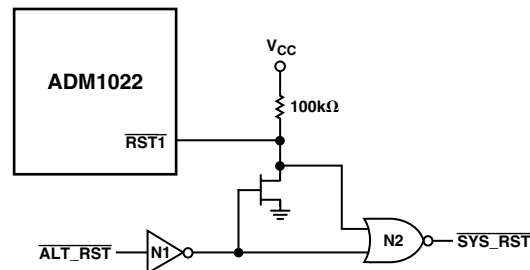


Figure 19. Separation of  $\overline{RST1}$  Input from  $\overline{RST1}$  Output

## 5 V OPERATION

The ADM1022 may be operated with  $V_{CC}$  and/or  $V_{MON}$  connected to any supply voltage between 3.0 V and 5.5 V, but it should be noted that the reset threshold voltages are fixed and optimized for 3.3 V operation. If the  $V_{CC}$  supply voltage is 5 V, for example, the  $V_{MON}$  input can still be used to monitor another 3.3 V supply without problems. However, the reset threshold for the 5 V,  $V_{CC}$  supply, may be below that at which 5 V logic will operate reliably and may not give a reliable indication of brown-out on the 5 V supply.

Alternatively,  $V_{MON}$  may be configured to monitor a supply voltage higher than 3.3 V by adding an input attenuator.

The ratio of R1 to R2 is given by:

$$R1/R2 = (V_R - 2.93)/2.93$$

Where  $V_R$  is the desired reset voltage and 2.93 V is the nominal reset voltage of the  $V_{MON}$  input.

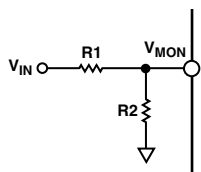


Figure 20. Scaling  $V_{MON}$  to a Higher Reset Voltage

The input resistance of the  $V_{MON}$  input is approximately 100 k $\Omega$ , with a tolerance of around  $\pm 30\%$ , so the parallel combination of R1 and R2 should be much lower than 100 k $\Omega$  to minimize errors due to variations in this input resistance.

## INITIALIZATION (SOFT RESET)

Soft reset performs a similar, but not identical, function to power-on reset. The Test Register and Analog Output register are not initialized.

Soft reset is accomplished by setting Bit 4 of the Configuration Register high. This bit automatically clears after being set.

## NAND TREE TEST

A NAND tree is provided in the ADM1022 for Automated Test Equipment (ATE) board level connectivity testing. The device is placed into NAND tree test mode by powering up with pin FAN\_SPD/NTEST\_IN (Pin 8) held high. This pin is sampled and its state at power-up is latched. If it is connected high, the NAND tree test mode is invoked. NAND tree test mode will only be exited once the ADM1022 is powered down.

In NAND tree test mode, all digital inputs may be tested as illustrated in Table III. ADD/NTEST\_OUT will become the NAND tree output pin.

The structure of the NAND Tree is shown in Figure 21. To perform a NAND Tree test, all pins are initially driven low. The test vectors set all inputs low, then one-by-one toggles them high (keeping them high). Exercising the test circuit with this “walking one” pattern, starting with the input closest to the output of the tree, cycling towards the farthest, causes the output of the tree to toggle with each input change. Allow for a typical propagation delay of 500 ns.

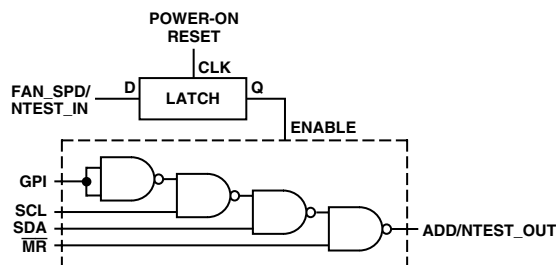


Figure 21. NAND Tree

Table III. Test Vectors

GPI	SCL	SDA	$\overline{MR}$	ADD/NTEST_OUT
0	0	0	0	1
0	0	0	1	0
0	0	1	1	1
0	1	1	1	0
1	1	1	1	1

## CONFIGURING THE INTERRUPT

On power-up, the Interrupt functionality of the device is disabled. The Configuration Register (0x40) must be written to, in order to enable the Interrupt output. The  $\overline{INT\_Clear}$  bit (Bit 2) should be cleared to 0 and the  $\overline{INT\_Enable}$  bit (Bit 1) of the Register should be set to 1.

If the  $\overline{INT\_Enable}$  bit is set, and the  $\overline{INT\_Clear}$  bit is not cleared to 0, then any interrupts generated will be reflected in the Interrupt Status Register, but will not toggle the Interrupt pin externally.



# ADM1022

**Table IV. Registers**

Register Name	Address A7–A0 in Hex	Comments
Value Registers Company ID	0x13–0x3A 0x3E	See Table V. This location will contain the company identification number. This register is read only.
Revision	0x3F	This location will contain the revision number of the part in the lower four bits of the register [3:0]. The upper four bits reflect the ADM1022 Version Number [7:4]. The first version is 1100. The next version of ADM1022 would be 1101, etc. For instance, if the stepping were A0 and this part is an ADM1022, this register would read 1100 0000. This register is read only.
Configuration Register	0x40	See Table VI. Power-On Value = 0010 0101.
Interrupt Status Register	0x41	See Table VII. Power-On Value = 0000 0000.
Reserved for Future Use	0x42	
Interrupt Mask Register	0x43	See Table VIII. Power-On Value = 0000 0000.
Reserved for Future Use	0x44	
Reserved for Future Use	0x47	
Reserved for Future Use	0x4A	
Interrupt Status Register Mirror	0x4C	See Table IX. Power-On Value = 0000 0000.

**Table V. Registers 0x13–0x3A Value Registers**

Address	Read/Write	Description
0x13	Read/Write	Programmable Local Temp Sensor Automatic Trip Point—Default 70°C. This register can only be written to if the write once bit in the configuration register (0x40, Bit 3) has not been set.
0x14	Read/Write	Programmable Remote Thermal Diode Automatic Trip Point—Default 100°C. This register can only be written to if the write once bit in the configuration register (0x40, Bit 3) has not been set.
0x15	Read/Write	Test Register for manufacturer’s use only. Do not write to this register.
0x17	Read Only	Default Local Temp Sensor Automatic Trip Point—Default 70°C. Cannot be changed. Disabled when Bit 3 of Configuration Register is set.
0x18	Read Only	Default Remote Thermal Diode Automatic Trip Point—Default 100°C. Cannot be changed. Disabled when Bit 3 of Configuration Register is set.
0x19	Read/Write	Analog Output, FAN_SPD (Defaults to 0x00h).
0x20	Read Only	External Temperature Value Diode 2.
0x26	Read Only	External Temperature Value Diode 1.
0x27	Read Only	Internal Temperature.
0x2B	Read/Write	External Temperature Diode 2 High Limit.
0x2C	Read/Write	External Temperature Diode 2 Low Limit.
0x37	Read/Write	External Temperature Diode 1 High Limit.
0x38	Read/Write	External Temperature Diode 1 Low Limit.
0x39	Read/Write	Internal Temperature High Limit.
0x3A	Read/Write	Internal Temperature Low Limit.

Table VI. Register 0x40 Configuration Register

Bit	Name	Read/Write	Description
0	START	Read/Write	Setting this bit to a “1” enables startup of ADM1022; clearing this bit to a “0” places ADM1022 in standby mode. Caution: The $\overline{\text{INT}}$ output will not be cleared if the user clears this bit after an interrupt has occurred (see “ $\overline{\text{INT}}$ Clear” bit). At startup temperature monitoring and limit checking functions begin. Note, all limit values should be programmed into ADM1022 prior to using the standard thermal interrupt mechanism based upon high and low limits. (Power-Up Default = 1.)
1	$\overline{\text{INT}}$ Enable	Read/Write	Setting this bit to a “1” enables the $\overline{\text{INT}}$ output. 1 = Enabled 0 = Disabled (Power-Up Default = 0).
2	$\overline{\text{INT}}$ Clear	Read/Write	This bit clears the $\overline{\text{INT}}$ output when set (1) without affecting the contents of the Interrupt Status Register. (Power-Up Default = 1.)
3	Programmable Automatic Trip Point Lock Bit	Read/Write Once	Setting this bit to a “1” will lock in the value set into the Programmable Local and Remote Automatic Trip Point Registers (Value Register locations 0x13 and 0x14). Furthermore, when this bit is set, the values in the Default Local and Remote Automatic Trip Point Registers (Value Register locations 0x17 and 0x18) will no longer have an effect on the $\overline{\text{THERM}}$ , $\overline{\text{FAN\_SPD}}$ or $\overline{\text{FAN-OFF}}$ outputs. This bit cannot be written again until after $\overline{\text{RST2}}$ has been asserted or Power-On Reset occurs. (Power-Up Default = 0.)
4	Soft Reset	Read/Write	Setting this bit to a “1” will restore power-up default values to the Configuration Register, Interrupt Status Register, Interrupt Status Register Mirror, Interrupt Mask Register. This bit automatically clears itself since the power-on default is zero.
5	$\overline{\text{FAN OFF}}$	Read/Write	Setting this bit to a “1” will cause the $\overline{\text{FAN OFF}}$ pin to be floated. Clearing this bit to “0” will cause the $\overline{\text{FAN OFF}}$ pin to be driven low, which requests that the fan be turned off. This bit will be unconditionally set if the $\overline{\text{THERM}}$ pin is ever asserted. Reading this bit reflects the state of the $\overline{\text{FAN-OFF}}$ output buffer. Due to the open-drain nature of this pin the value read does not represent the actual state of the external circuit connected to it. (Power-Up Default = 1.)
6	GPI Invert	Read/Write	Setting this bit to a “1” will invert the GPI input for the purpose of level detection and interrupt generation. Clearing this bit to a “0” leaves the GPI input unmodified. (Power-Up Default = 0.)
7	D2	Read/Write	Setting this bit configures Pins 11 and 12 as inputs for a second diode temperature sensor. Clearing this bit configures Pin 11 as $\overline{\text{THERM}}$ output and Pin 12 as general purpose logic input (GPI). (Power-Up Default = 0.)

Table VII. Register 0x41 Interrupt Status Register. Power-On Default &lt;7:0&gt; = 00h

Bit	Name	Read/Write	Description
0	Int. Temp Error	Read Only	A one indicates that one of the internal temperature sensor limits has been exceeded.
1	Ext. Temp2 Error	Read Only	A one indicates that one of the limits for the second external temperature sensor has been exceeded.
2	Diode 2 Fault	Read Only	A one indicates either a short- or open-circuit fault on remote sensor diode 2.
3	Reserved	Read Only	Undefined.
4	GPI Input	Read Only	A “1” indicates that the GPI pin is asserted. The polarity of the GPI pin is determined by GPI Invert (Bit 6) in the Configuration Register. For example, if GPI Invert is cleared, this bit will be “1” when the GPI pin is high (“1”); this bit will be “0” when the GPI pin is low (“0”). If GPI Invert is set, this bit will be “1” when the GPI pin is low (“0”); this bit will be “0” when the GPI pin is high (“1”). Note that the state of GPI is not latched; this bit simply reflects the state or inverted state of the GPI pin. Note: if this bit is “1” reading this register will NOT clear it to “0.”
5	Ext. Temp1 Error	Read Only	A one indicates that one of the limits for the first external temperature sensor has been exceeded.
6	$\overline{\text{THERM}}$ Input	Read Only	A one indicates that the thermal overload ( $\overline{\text{THERM}}$ ) line has been asserted externally.
7	Diode 1 Fault	Read Only	A one indicates either a short- or open-circuit fault on remote sensor diode 1.

NOTE: An error that causes continuous interrupts to be generated may be masked in its respective mask register until the error can be alleviated.

Table VIII. 0x43 Interrupt Mask Register. Power-On Default &lt;7:0&gt; = 00h

Bit	Name	Read/Write	Description
0	Int. Temp Error	Read Only	A one disables the corresponding interrupt status bit for the $\overline{\text{INT}}$ output.
1	Ext. Temp2 Error	Read Only	A one disables the corresponding interrupt status bit for the $\overline{\text{INT}}$ output.
2	Diode 2 Fault	Read Only	A one disables the corresponding interrupt status bit for the $\overline{\text{INT}}$ output.
3	Reserved	Read Only	Undefined.
4	GPI Input	Read/Write	A one disables the corresponding interrupt status bit for the $\overline{\text{INT}}$ output.
5	Ext. Temp1 Error	Read/Write	A one disables the corresponding interrupt status bit for the $\overline{\text{INT}}$ output.
6	$\overline{\text{THERM}}$ Input	Read/Write	A one disables the corresponding interrupt status bit for the $\overline{\text{INT}}$ output.
7	Diode 1 Fault	Read/Write	A one disables the corresponding interrupt status bit for the $\overline{\text{INT}}$ output.

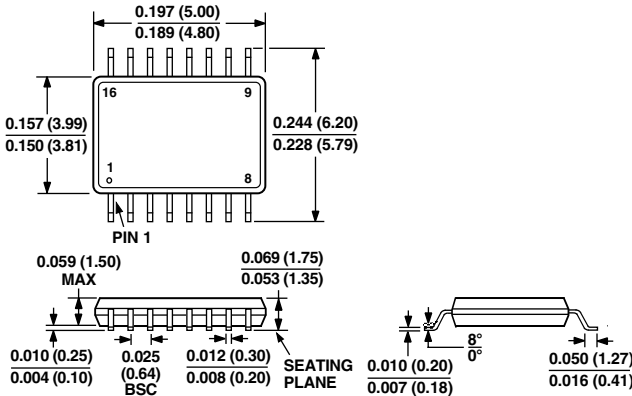
Table IX. Register 0x4C Interrupt Status Register Mirror. Power-On Default &lt;7:0&gt; = 00h

Bit	Name	Read/Write	Description
0	Int. Temp Error	Read Only	A one indicates that one of the internal temperature sensor limits has been exceeded.
1	Ext. Temp2 Error	Read Only	A one indicates that one of the limits for the second external temperature sensor has been exceeded.
2	Diode 2 Fault	Read Only	A one indicates either a short- or open-circuit fault on remote sensor diode 2.
3	Reserved	Read Only	Undefined
4	GPI Input	Read Only	A “1” indicates that the GPI pin is asserted. The polarity of the GPI pin is determined by GPI Invert (Bit 6) in the Configuration Register. For example, if GPI Invert is cleared, this bit will be “1” when the GPI pin is high (“1”); this bit will be “0” when the GPI pin is low (“0.”) If GPI Invert is set, this bit will be “1” when the GPI pin is low (“0”); this bit will be “0” when the GPI pin is high (“1”). Note that the state of GPI is not latched; this bit simply reflects the state or inverted state of the GPI pin. Note: if this bit is “1” reading this register will NOT clear it to “0.”
5	Ext. Temp1 Error	Read Only	A one indicates that one of the limits for the first external temperature sensor has been exceeded.
6	$\overline{\text{THERM}}$ Input	Read Only	A one indicates that the thermal overload ( $\overline{\text{THERM}}$ ) line has been asserted externally.
7	Diode 1 Fault	Read Only	A one indicates either a short- or open-circuit fault on remote sensor diode 1.

**OUTLINE DIMENSIONS**

Dimensions shown in inches and (mm).

**16-Lead QSOP  
(RQ-16)**



REF: JEDEC 0.150" SSOP – DRAWING NUMBER MO-137

C3617-2.5-4/00 (rev. 0) 00057

PRINTED IN U.S.A.