

阅读申明

- 1.本站收集的数据手册和产品资料都来自互联网，版权归原作者所有。如读者和版权方有任何异议请及时告之，我们将妥善解决。
- 2.本站提供的中文数据手册是英文数据手册的中文翻译，其目的是协助用户阅读，该译文无法自动跟随原稿更新，同时也可能存在翻译上的不当。建议读者以英文原稿为参考以便获得更精准的信息。
- 3.本站提供的产品资料，来自厂商的技术支持或者使用者的心得体会等，其内容可能存在描述上的差异，建议读者做出适当判断。
- 4.如需与我们联系，请发邮件到marketing@iczoom.com，主题请标有“数据手册”字样。

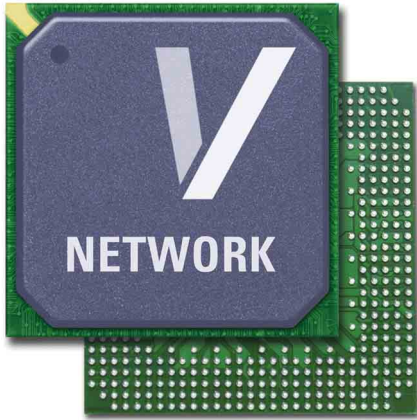
Read Statement

1. The datasheets and other product information on the site are all from network reference or other public materials, and the copyright belongs to the original author and original published source. If readers and copyright owners have any objections, please contact us and we will deal with it in a timely manner.
2. The Chinese datasheets provided on the website is a Chinese translation of the English datasheets. Its purpose is for reader's learning exchange only and do not involve commercial purposes. The translation cannot be automatically updated with the original manuscript, and there may also be improper translations. Readers are advised to use the English manuscript as a reference for more accurate information.
3. All product information provided on the website refer to solutions from manufacturers' technical support or users the contents may have differences in description, and readers are advised to take the original article as the standard.
4. If you have any questions, please contact us at marketing@iczoom.com and mark the subject with "Datasheets" .

VSC7104, VSC7108

VITESSE

VSC7104 – Quad Signal Conditioner, VSC7108 – Octal Signal Conditioner



APPLICATIONS:

- ▶ Backplane Signal Enhancement
- ▶ Wideband Signal Clean-up
- ▶ Line Driver/receiver

FEATURES:

- ▶ High Data Rate Support, up to 6.5 Gbps
- ▶ Integrated Equalization
- ▶ Global Programmable Input Signal Equalization (ISE) and Output Drive Levels
- ▶ Soft Power-down for Unused Channels
- ▶ Compact Form Factor
- ▶ Single Supply Operation
- ▶ Highly Programmable
- ▶ Robust Operation Across Voltage and Temperature
- ▶ Fully Asynchronous Operation
- ▶ Excellent Crosstalk and Noise Immunity

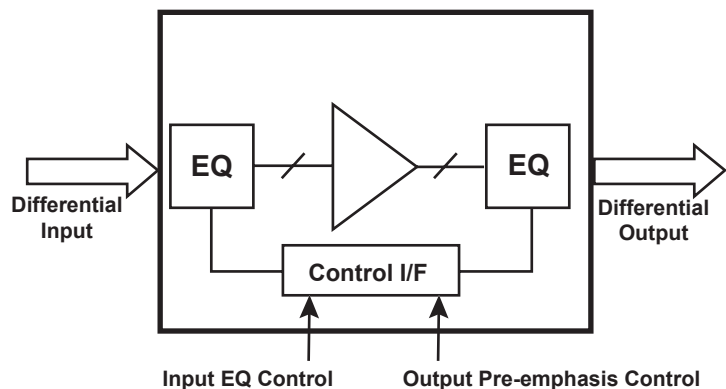
BENEFITS:

- ▶ Enables Operation at Higher Data Rates and/or Improves Operating Margins
- ▶ Controls Difficult Signal Integrity Problems
- ▶ Asynchronous Operation Allows Application Across any Data Format and Rate
- ▶ Low Skew Enables Precision Fan-out Buffering

SPECIFICATIONS:

- ▶ 0 to 6.5 Gbps Data Rate
- ▶ 20ps Added Jitter
- ▶ 20ps Channel to Channel Skew
- ▶ 2.5V Power Supply with a 3.3V Option
- ▶ 50ps Output Rise/Fall Time
- ▶ 50Ω Output Source Termination
- ▶ 100Ω Input Differential Termination
- ▶ 250mW Per Channel Power Dissipation
- ▶ 100mV – 2400mV Input Signal Range
- ▶ 550mV – 1100mV Programmable Output Swing

VSC7108 BLOCK DIAGRAM:



VSC7104, VSC7108

VSC7104 – Quad Signal Conditioner, VSC7108 – Octal Signal Conditioner

GENERAL DESCRIPTION:

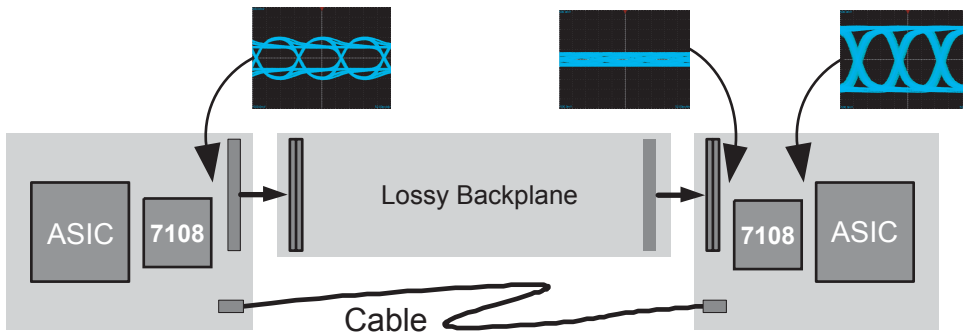


The VSC7108 and VSC7104 are Signal Conditioners designed to carry broadband data streams, enabling next generation backplane designs and extending the life of existing backplanes. The function of these devices is simple yet powerful, creating multiple applications just about anywhere high-speed signals are present.

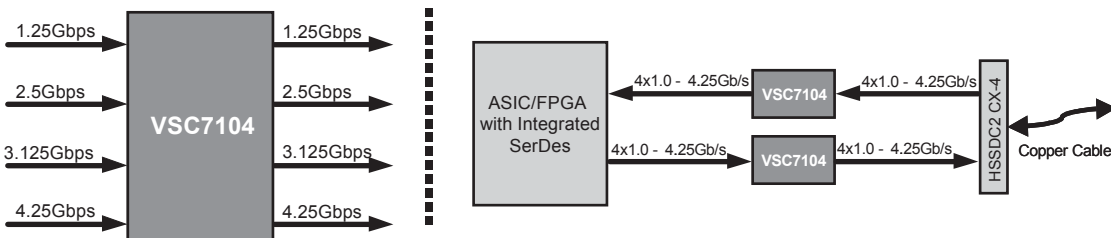
The integrated equalization capabilities at both the input and

output effectively absorb the effects of signal loss through copper interconnect, either printed circuit board traces or cable. A high degree of signal integrity is maintained throughout the chip by fully differential signal paths. The signal path is unregistered and fully asynchronous so that there are no restrictions on the phase, frequency, or signal pattern on any input. Each high-speed output is a fully differential switched current driver with on-die terminations for maximum signal integrity.

Signal Conditioning Application



Serial Repeater as a Multiple Rate/Multiple Protocol Serializer with Signal Clean-Up



For more information on Vitesse Products visit the Vitesse web site at www.vitesse.com or contact Vitesse Sales at (800) VITESSE or sales@vitesse.com

Vitesse, ASIC-Friendly, FibreTimer, TimeStream and Snoop Loop are trademarks of Vitesse Semiconductor Corporation. All other trademarks or registered trademarks mentioned herein are the property of their respective holders. Vitesse Semiconductor Corporation ("Vitesse") retains the right to make changes to its products or specifications to improve performance, reliability or manufacturability. All information in this document, including descriptions of features, functions, performance, technical specifications and availability, is subject to change without notice at any time.

VITESSE

741 Calle Plano
Camarillo, CA 93012, USA
Tel: +1 805.388.3700
Fax: +1 805.987.5896
www.vitesse.com