

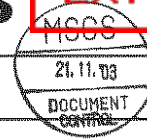
阅读申明

- 1.本站收集的数据手册和产品资料都来自互联网，版权归原作者所有。如读者和版权方有任何异议请及时告之，我们将妥善解决。
- 2.本站提供的中文数据手册是英文数据手册的中文翻译，其目的是协助用户阅读，该译文无法自动跟随原稿更新，同时也可能存在翻译上的不当。建议读者以英文原稿为参考以便获得更精准的信息。
- 3.本站提供的产品资料，来自厂商的技术支持或者使用者的心得体会等，其内容可能存在描述上的差异，建议读者做出适当判断。
- 4.如需与我们联系，请发邮件到marketing@iczoom.com，主题请标有“数据手册”字样。

Read Statement

1. The datasheets and other product information on the site are all from network reference or other public materials, and the copyright belongs to the original author and original published source. If readers and copyright owners have any objections, please contact us and we will deal with it in a timely manner.
2. The Chinese datasheets provided on the website is a Chinese translation of the English datasheets. Its purpose is for reader's learning exchange only and do not involve commercial purposes. The translation cannot be automatically updated with the original manuscript, and there may also be improper translations. Readers are advised to use the English manuscript as a reference for more accurate information.
3. All product information provided on the website refer to solutions from manufacturers' technical support or users the contents may have differences in description, and readers are advised to take the original article as the standard.
4. If you have any questions, please contact us at marketing@iczoom.com and mark the subject with "Datasheets" .

Prepared	<i>Guo</i>	Product Specifications AN17808B	Ref No.	A-1
Checked	<i>Kenneth Law</i>		APPROVED EXTERNAL ISSUE	
Approved	<i>Ziguli</i>		Total Page	14
			Page No.	1



Structure	Silicon Monolithic Bipolar IC
Appearance	SIL-12 Pins Plastic Package (Power-type with Fin)
Application	Low Frequency Amplifier
Function	Dual 5W Audio Power Amplifier, with muting circuit and incorporating protection circuits

A Absolute Maximum Ratings					
No.	Item	Symbol	Ratings	Unit	Note
1	Storage Temperature	Tstg	-55 ~ +150	°C	1
2	Operating Ambient Temperature	Topr	-25 ~ +75	°C	1
3	Operating Ambient Pressure	Popr	$1.013 \times 10^5 \pm 0.61 \times 10^5$	Pa	
4	Operating Constant Acceleration	Gopr	9,810	m/s ²	
5	Operating Shock	Sopr	4,900	m/s ²	
6	Supply Voltage	Vcc	26.0	V	
7	Supply Current	Icc	4.0	A	
8	Power Dissipation	P _D	37.5	W	2

Operating Supply Voltage	Vcc	10.0 V ~ 24.0V
--------------------------	-----	----------------

Note 1) The temperature of all item shall be Ta = 25°C except storage temperature and operating ambient temperature.

2) Ta = 75°C



Eff. Date	Eff. Date	Eff. Date	Eff. Date
22-OCT-03	21-NOV-03		

Prepared	<i>Cao</i>	Product Specifications AN17808B	Ref No.	A-2
Checked	<i>Kenneth Law</i>		APPROVED EXTERNAL ISSUE	
Approved	<i>H. Gulin</i>		Total Page	14
			Page No.	2



A Absolute Maximum Ratings					
No.	Item	Symbol	Ratings	Unit	Note
1	Pin Voltage (2-Pin)	V2	-0.3 ~ +3.0	V	1
2	Pin Voltage (5-Pin)	V5	-0.3 ~ +3.0	V	1

Note: 1) Do not apply a current or voltage from the external to the terminals not described above. For circuit current, '+' denotes the current flowing into IC and, '-' denotes the current flowing out of IC.

Eff. Date	Eff. Date	Eff. Date	Eff. Date	
22-OCT-03	21-NOV-03			

Prepared	<i>CS</i>	Product Specifications AN17808B	Ref No.	B-1
Checked	<i>Kenneth Law</i>		Total Page	14
Approved	<i>Higuchi</i>		Page No.	3



B Electrical Characteristics (Ta = 25°C ± 2°C, unless otherwise specified, Vcc=19V, RL=8Ω and f=1kHz)									
No.	Item	Symbol	Test Circuit	Condition	Limit			Unit	Note
					Min	Typ	Max		
1	Quiescent Current	IcQ	1	Vin=0mV	-	35	70	mA	
2	Output End Noise Voltage	Vno	1	No Input Rg=10kΩ	-	0.22	0.4	mV	1
3	Voltage Gain	Gv	1	Vin=57mV	32	34	36	dB	
4	Total Harmonic Distortion	THD	1	Vin=57mV	-	0.2	0.4	%	
5	Maximum Output Power 1	Po1	1	Vcc=19V THD=10%	4.0	5.0	-	W	
6	Maximum Output Power 2	Po2	1	Vcc=22V THD=10%	5.6	7.0	-	W	
7	Ripple Rejection Ratio	RR	1	Vr=1Vrms, fr=120Hz, Rg=10kΩ	45	55	-	dB	1
8	Channel Balance	CB	1	Vin=57mV	-1.0	0	1.0	dB	
9	Muting Ratio	MR	1	Vin=57mV Vmute ≥ 3.0V	65	75	-	dB	
10	Muting Control Voltage	Vmute	1	Vin = 57mV, MR ≥ 65dB	3.0	-	-	V	
11	Standby On Voltage	Vstb-on	1	No Input Icc < 0.1mA	-	-	0.4	V	
12	Standby Off Voltage	Vstb-off	1	No Input Icc ≥ 17mA	3.0	-	-	V	
13	Channel Crosstalk	CT	1	Vin = 57mV Rg=10kΩ	50	60	-	dB	

Note 1) For this measurement, use the 20Hz~20kHz (12dB/OCT) filter.

Eff. Date	Eff. Date	Eff. Date	Eff. Date	
22-OCT-03	21-NOV-03			

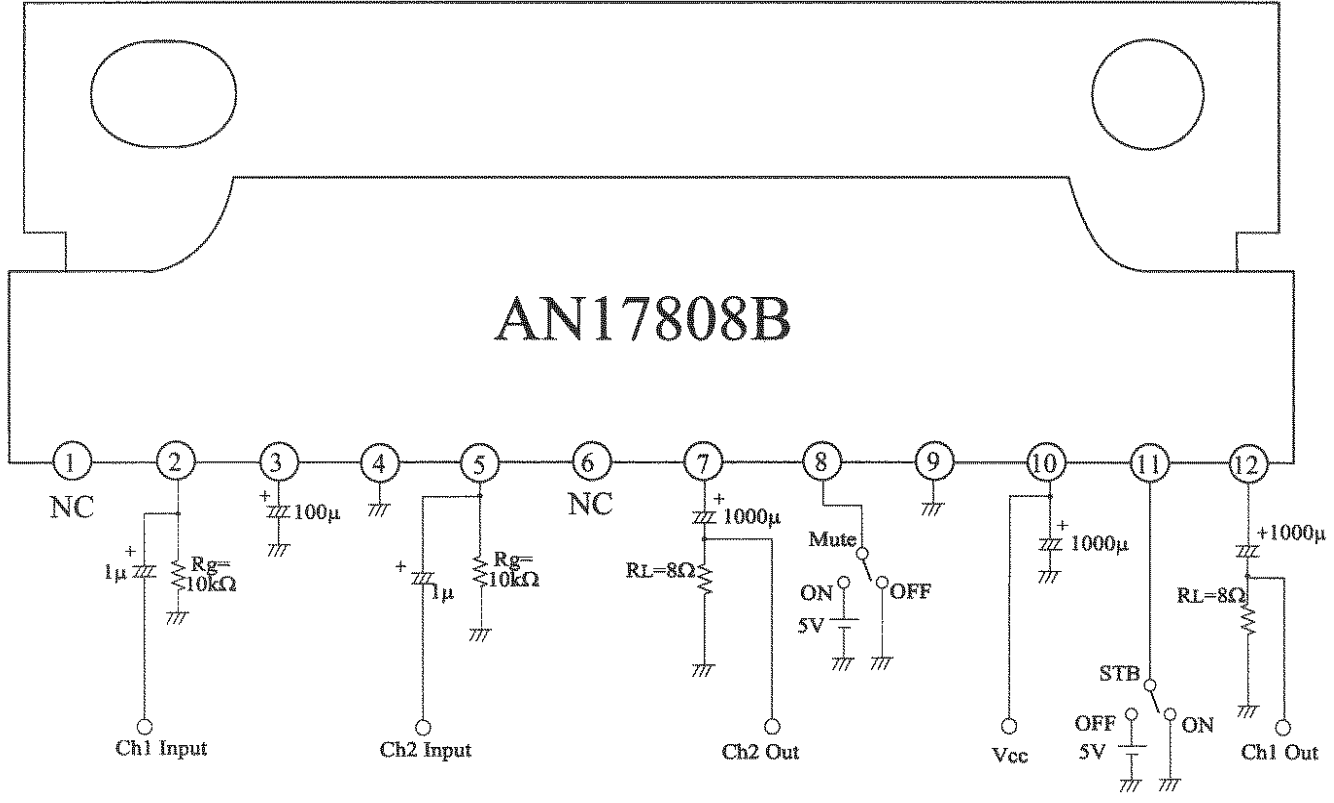
Prepared	<i>[Signature]</i>	Product Specifications AN17808B	Ref No.	C-1
Checked	<i>Kenneth Law</i>		Total Page	14
Approved	<i>Higuli</i>		Page No.	4

APPROVED
EXTERNAL ISSUE



(Description of Test Circuit and Test Method)

Test Circuit 1



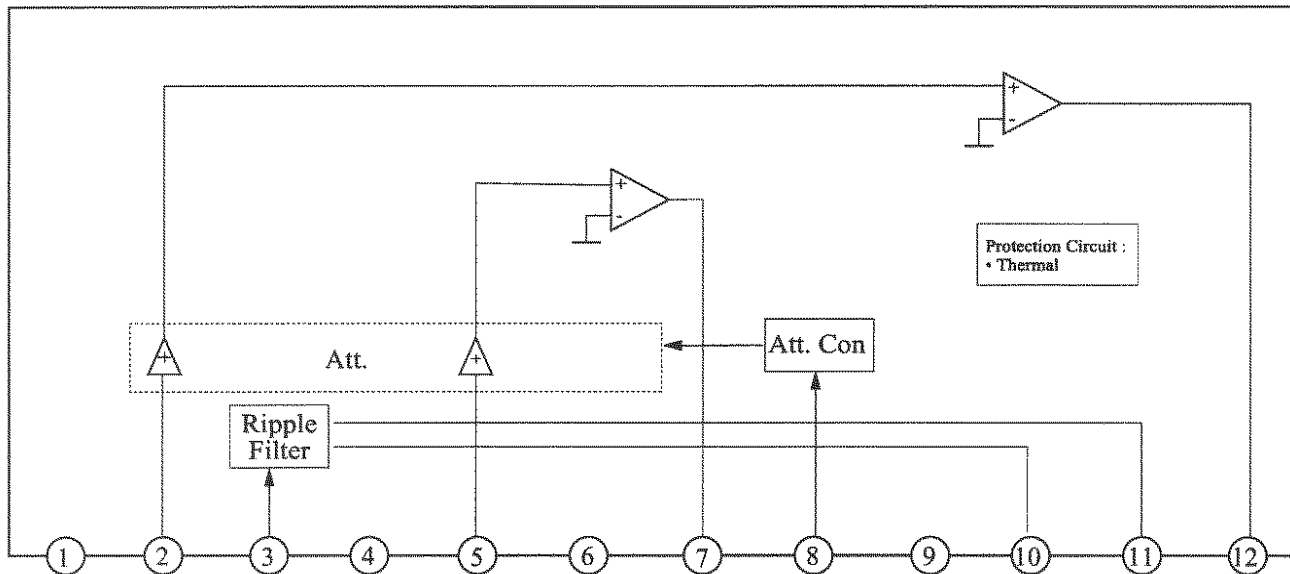
Note : For STB 'OFF', connect to 5V.
Mute 'OFF' means 0V.

Eff. Date	Eff. Date	Eff. Date	Eff. Date
22-OCT-03	21-NOV-03		

Prepared	<i>Guo</i>	Product Specifications AN17808B	Ref No. D-1
Checked	<i>Kenneth Law</i>		Total Page 14
Approved	<i>Higalin</i>		Page No. 5



Circuit Function Block Diagram



Pin Descriptions

Pin No.	Pin Name	Pin No.	Pin Name
1	N.C	7	Channel 2 Output
2	Channel 1 Input	8	Mute
3	Ripple Filter	9	Output GND
4	Input GND	10	Vcc
5	Channel 2 Input	11	Standby
6	N.C	12	Channel 1 Output

Eff. Date	Eff. Date	Eff. Date	Eff. Date
22-OCT-03	21-NOV-03		

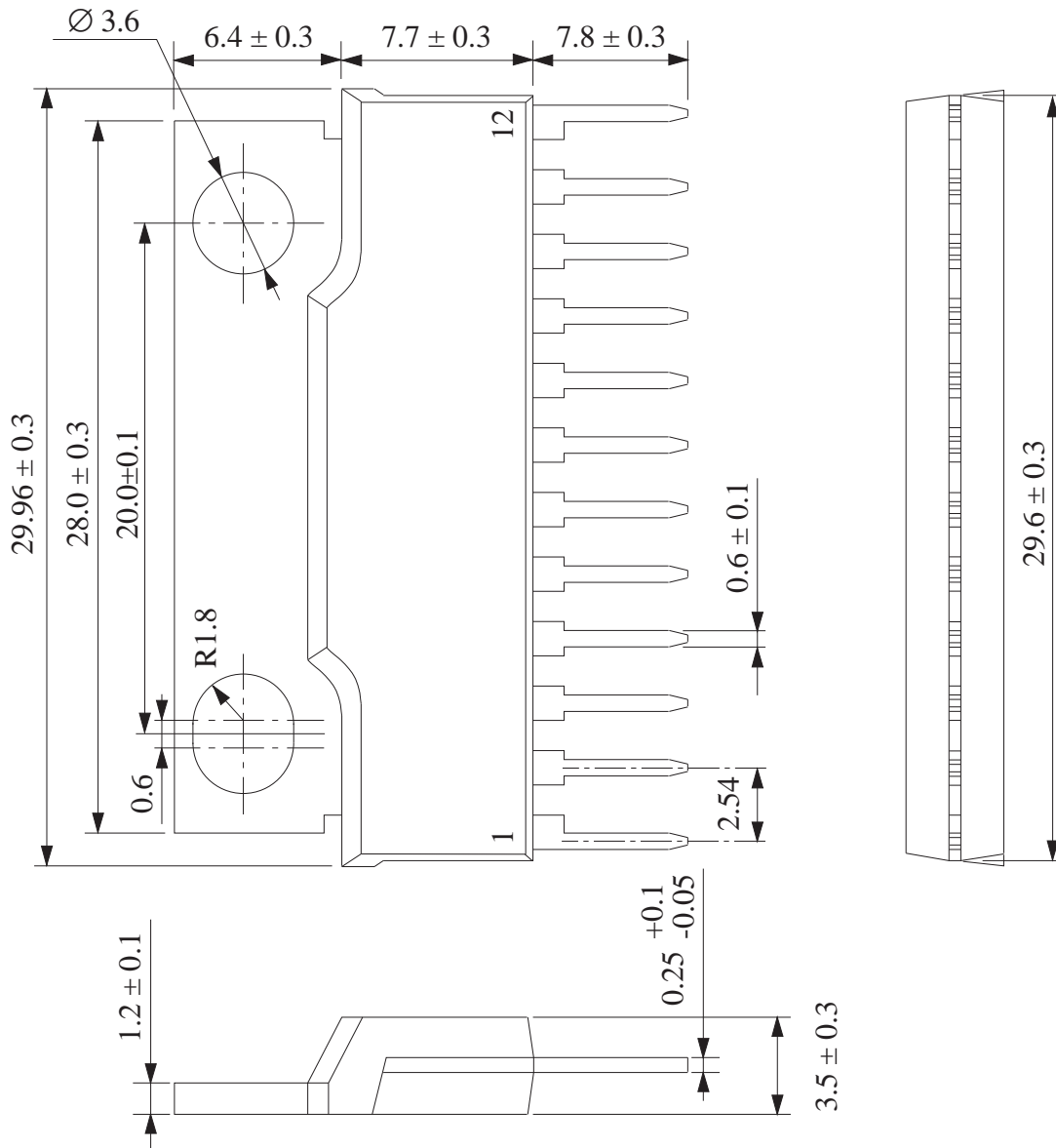
Prepared	Lim Fuey Sheen	Product Specifications AN17808B	APPROVED EXTERNAL ISSUE	Ref No.	E
Checked	Kenneth Law			Page	4
Approved	Yasuo Higuchi			Page No.	6

12-SIL(FP)

Package Name

FP-12S

Unit : mm



*4

Eff. Date	Eff. Date	Eff. Date	Eff. Date
28-MAR-05			

Prepared	Lim Fuey Sheen	Product Specifications (Leadfree) AN17808B	APPROVED EXTERNAL ISSUE	Ref No.	F
Checked	Kenneth Law		Total Page	14	
Approved	Yasuo Higuchi		Page No.	7A	

(Structure Description)

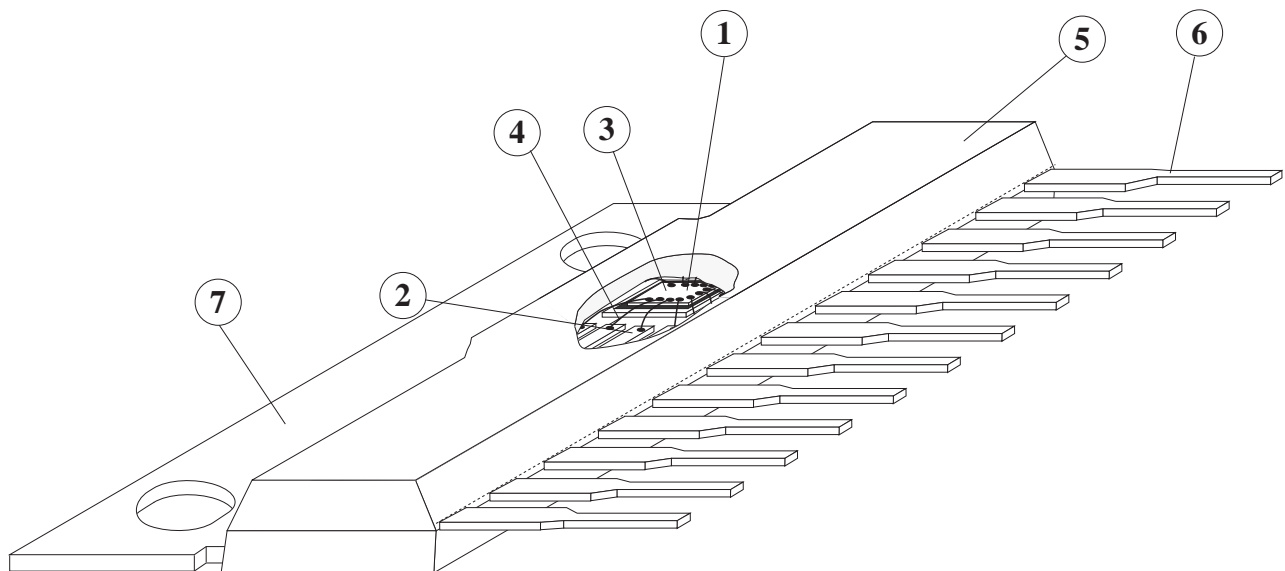
Chip surface passivation	SiN, PSG, Others ()	①
Lead frame material	Fe group, Cu group, Others ()	②, ⑥
Inner lead surface process	Ag plating, Au plating, Others ()	②
Outer lead surface process	Solder plating (98Sn-2Bi), Solder dip, Others ()	⑥
Chip mounting method	Ag paste, Au-Si alloy, Solder (95.5Pb-2.5Ag-2Sn)**	③
Wire bonding method	Thermalsonic bonding, Others ()	④
Wire material	Au, Others ()	④
Mold material	Epoxy, Others ()	⑤
Molding method	Transfer mold, Multiplunger mold, Others ()	⑤
Fin material	Cu group, Others ()	⑦

*3

*3

Package FP-12S

**Under RoHS exemption clause, Lead (Pb) in high melting temperature type solder (i.e. tin-lead solder alloys containing more than 85% of lead), is exempted until 2010.



*3

Eff. Date	Eff. Date	Eff. Date	Eff. Date
-	-	4-NOV-04	15-DEC-04

Prepared *Law*
 Checked *Kenneth Law*
 Approved *Higuchi*

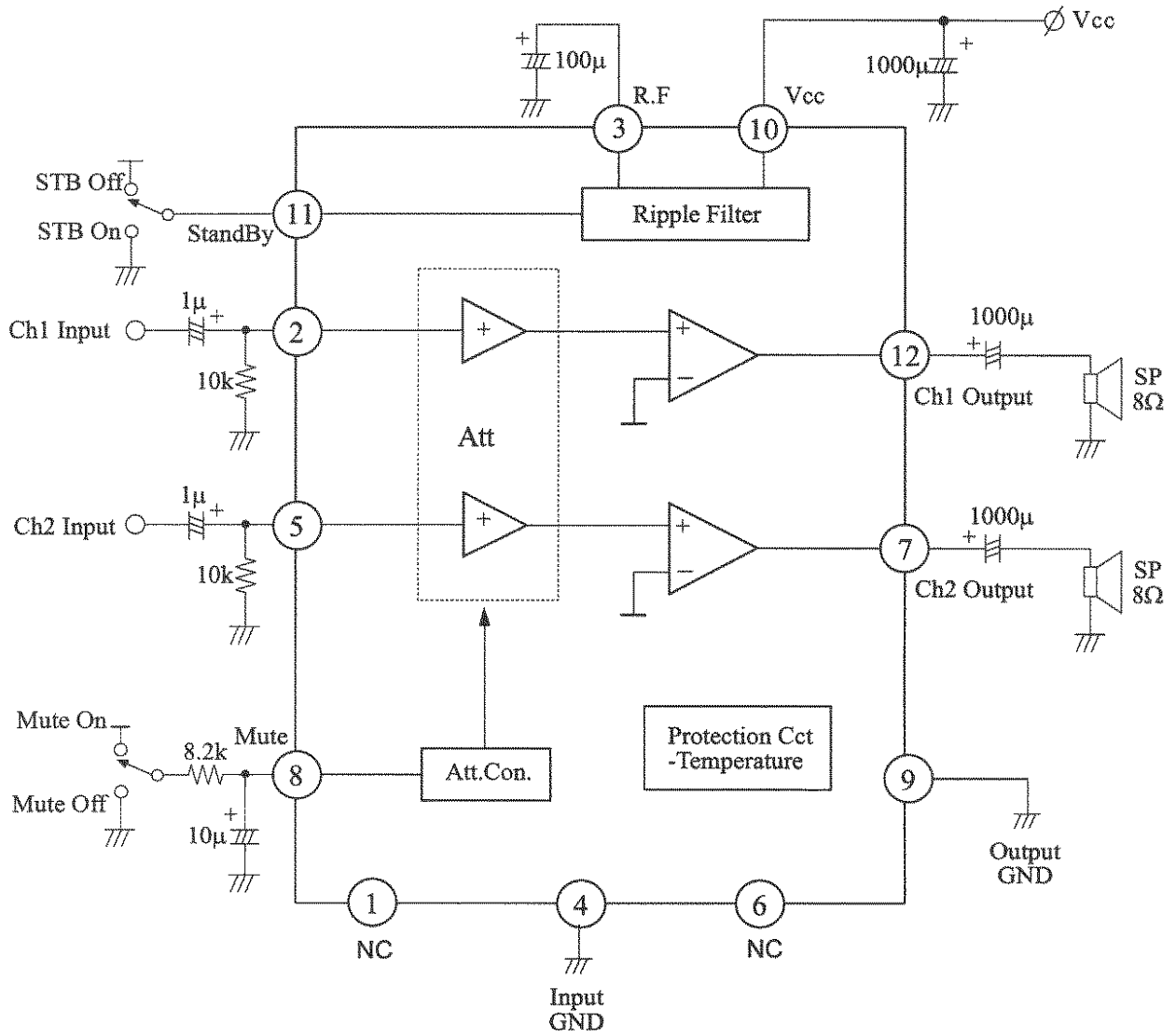
Product Specifications
 (Technical Data)
AN17808B

Ref No. G-1
 Total Page 14
 Page No. 8



Application Circuit 1

Standby Pin is controlled by microcontroller.



STB 'OFF'	5V
STB 'ON'	0V
Mute 'OFF'	0V
Mute 'ON'	5V

Eff. Date	Eff. Date	Eff. Date	Eff. Date
22-OCT-03	21-NOV-03		

Prepared *[Signature]*
 Checked *Kenneth Law*
 Approved *[Signature]*

Product Specifications
 (Technical Data)
AN17808B

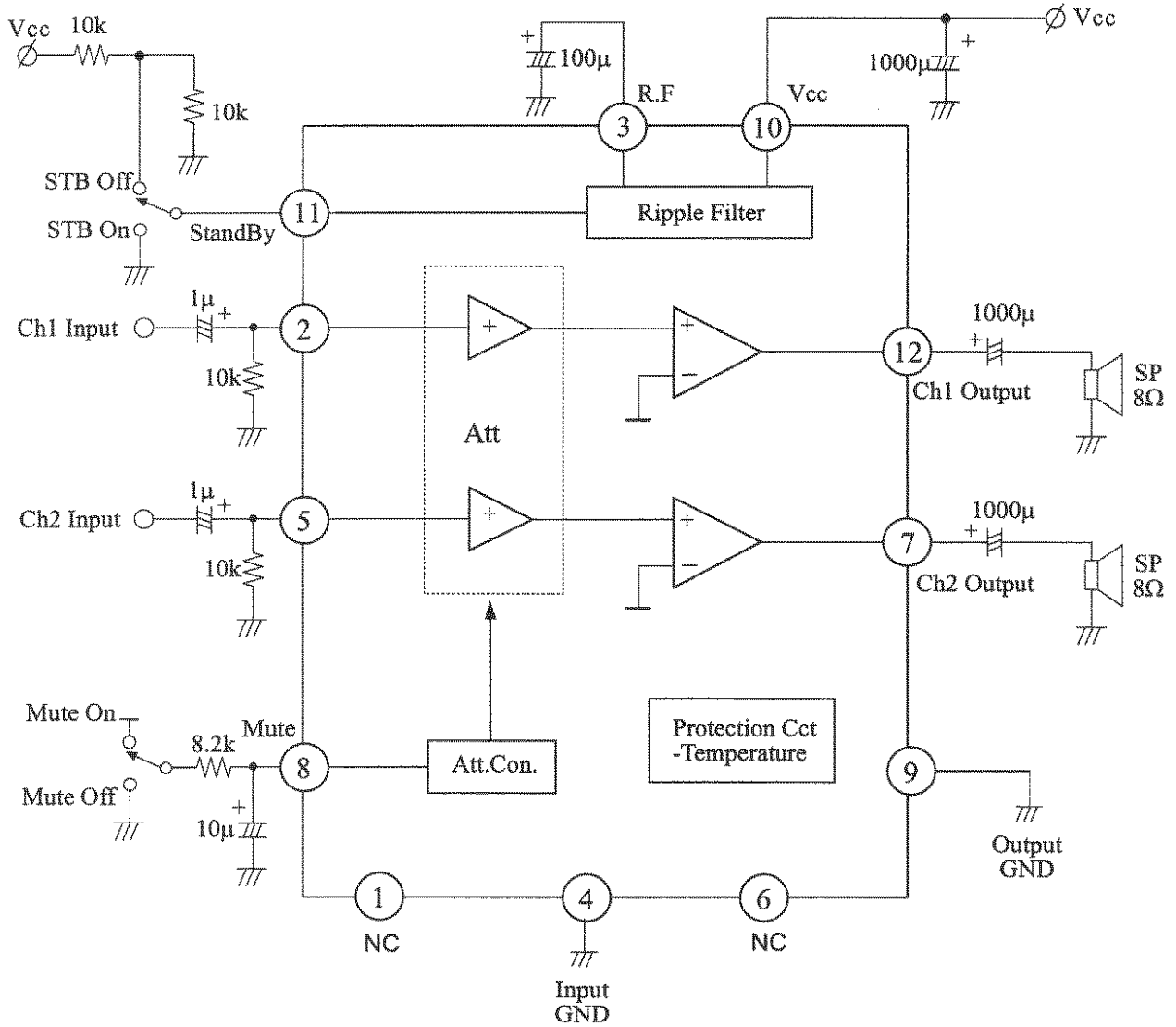
Ref No. G-1
 Total Page 14
 Page No. 9

APPROVED
EXTERNAL ISSUE



Application Circuit 2

Standby Pin is controlled by Vcc.



Mute 'OFF'	0V
Mute 'ON'	5V

Eff. Date	Eff. Date	Eff. Date	Eff. Date
22-OCT-03	21-NOV-03		



Pin No.	Function	Adjacent Circuitry	Description	DC Bias (V)
2, 5	Ch1, Ch2 Input		This is the amplifier input pin.	0V
3	Ripple Filter		This is the pin to connect the positive terminal of a ripple filter capacitor.	Vcc-1.5VBE
4	Input GND		Input ground pin.	0V
1,6	Not Connected			

Eff. Date	Eff. Date	Eff. Date	Eff. Date
22-OCT-03	21-NOV-03		



Pin No.	Function	Adjacent Circuitry	Description	DC Bias (V)
12, 7	Ch1 and Ch2 Output		Ch1 and Ch2 output pin	Vcc/2
8	Mute		Mute input pin. Mute 'On' = 5V Mute 'Off' = 0V	
9	Output GND		Ch1 and Ch2 output ground.	0V
10	Vcc		This is the power supply pin.	Typ: 19V

Eff. Date	Eff. Date	Eff. Date	Eff. Date
22-OCT-03	21-NOV-03		

Prepared	<i>Guo</i>
Checked	<i>Kenneth Law</i>
Approved	<i>H. Galin</i>

Product Specifications
(Technical Data)
AN17808B

Ref No.	G-2
Total Page	14
Page No.	12

APPROVED
EXTERNAL ISSUE



Pin No.	Function	Adjacent Circuitry	Description	DC Bias (V)
11	Standby		This is the Standby control pin.	

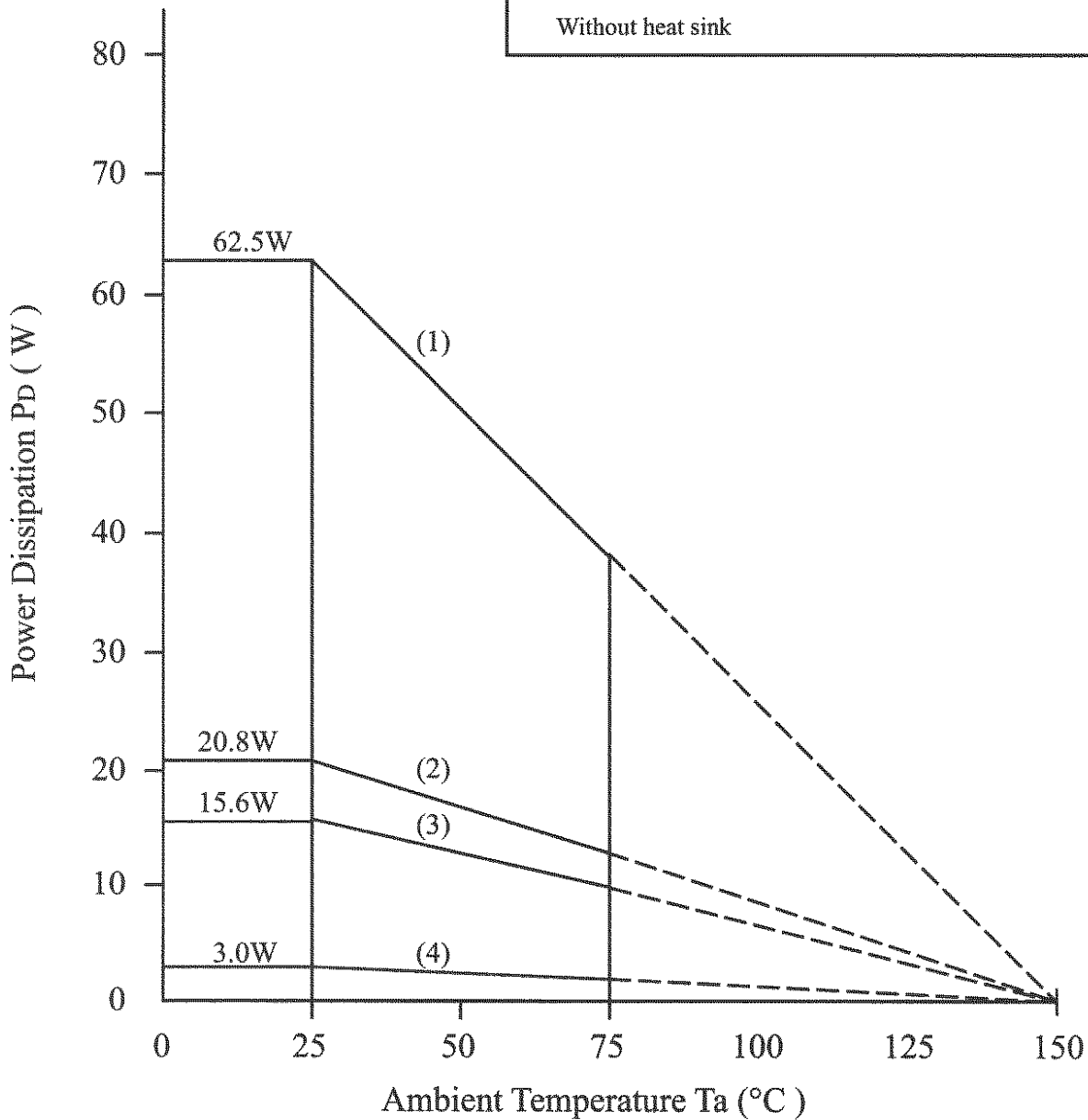
Eff. Date	Eff. Date	Eff. Date	Eff. Date
22-OCT-03	21-NOV-03		

Prepared	<i>Guo</i>	Product Specifications (Technical Data) AN17808B	Ref No.	G-3
Checked	<i>Kenneth Law</i>		APPROVED EXTERNAL ISSUE	
Approved	<i>Zigalin</i>		Total Page	14
			Page No.	13



PD - Ta Curves

- (1) $T_c = T_a$, 62.5W ($\theta_{j-c} = 2 \text{ }^\circ\text{C/W}$)
- (2) 20.83W ($\theta_f = 4.0 \text{ }^\circ\text{C/W}$)
 With a 100cm² X 3mm Al heat sink (black colour coated)
 or a 200cm² X 2mm Al heat sink (not lacquered)
- (3) 15.63W ($\theta_f = 6.0 \text{ }^\circ\text{C/W}$)
 With a 100cm² X 2mm Al heat sink (not lacquered)
- (4) 3.0W at $T_a = 25^\circ\text{C}$ ($\theta_{j-a} = 42 \text{ }^\circ\text{C/W}$)
 Without heat sink



Eff. Date	Eff. Date	Eff. Date	Eff. Date
22-OCT-03	21-NOV-03		

Prepared	<i>Law</i>	Product Specifications AN17808B	Ref No. H APPROVED
Checked	<i>Kenneth Law</i>		Total Page 14 EXTERNAL ISSUE
Approved	<i>Higuchi</i>		Page No. 14



Application's Precautions

- (1) External heatsink is needed when used. External heatsink should be fixed to the chassis.
- (2) Fin of the IC can be connected to GND.
- (3) Please prevent "Output to Vcc short", "Output to GND short", "Pin shift" and "Load short". The IC may be damaged if any of these occurs and smoke may be observed.
- (4) The temperature protection circuit will operate at Tj around 150°C. However, if temperature decrease, the protection circuit will automatically be deactivated and resume normal operation.
- (5) The Absolute Maximum Supply Voltage for this IC is specified as 26V. The IC is permitted to operate up to this voltage, without causing damage, for the condition that no signal is applied to all the 2 input pins.
- (6) For the condition of chip junction temperature below the minimum thermal shutdown temperature, under continuous operation, this will not cause damage to the IC for the recommended application. The minimum thermal shutdown temperature of this IC is typically 140 °C. This value is provided as a design reference and is not guaranteed by testing.

Eff. Date	Eff. Date	Eff. Date	Eff. Date	
22-OCT-03	21-NOV-03			