

阅读申明

- 1.本站收集的数据手册和产品资料都来自互联网，版权归原作者所有。如读者和版权方有任何异议请及时告之，我们将妥善解决。
- 2.本站提供的中文数据手册是英文数据手册的中文翻译，其目的是协助用户阅读，该译文无法自动跟随原稿更新，同时也可能存在翻译上的不当。建议读者以英文原稿为参考以便获得更精准的信息。
- 3.本站提供的产品资料，来自厂商的技术支持或者使用者的心得体会等，其内容可能存在描述上的差异，建议读者做出适当判断。
- 4.如需与我们联系，请发邮件到marketing@iczoom.com，主题请标有“数据手册”字样。

Read Statement

1. The datasheets and other product information on the site are all from network reference or other public materials, and the copyright belongs to the original author and original published source. If readers and copyright owners have any objections, please contact us and we will deal with it in a timely manner.
2. The Chinese datasheets provided on the website is a Chinese translation of the English datasheets. Its purpose is for reader's learning exchange only and do not involve commercial purposes. The translation cannot be automatically updated with the original manuscript, and there may also be improper translations. Readers are advised to use the English manuscript as a reference for more accurate information.
3. All product information provided on the website refer to solutions from manufacturers' technical support or users the contents may have differences in description, and readers are advised to take the original article as the standard.
4. If you have any questions, please contact us at marketing@iczoom.com and mark the subject with "Datasheets" .

DATA SHEET

TDA1519B

**12 W BTL or 2 x 6 W stereo car
radio power amplifier**

Product specification
File under Integrated Circuits, IC01

May 1992

12 W BTL or 2 x 6 W stereo car radio power amplifier

TDA1519B

GENERAL DESCRIPTION

The TDA1519B is an integrated class-B dual output amplifier in a 9-lead single in-line (SIL) plastic medium power package. The device is primarily developed for car radio applications.

Features

- Requires very few external components for Bridge Tied Load (BTL)
- Stereo or BTL application
- High output power
- Low offset voltage at output (important for BTL)
- Fixed gain
- Good ripple rejection
- Mute/stand-by switch
- Load dump protection
- AC and DC short-circuit-safe to ground and V_P
- Thermally protected
- Reverse polarity safe
- Capability to handle high energy on outputs ($V_P = 0$ V)
- No switch-on/switch-off pop
- Protected against electrostatic discharge
- Identical inputs (inverting and non-inverting)
- Compatible with TDA1519A (except output power).

QUICK REFERENCE DATA

PARAMETER	CONDITIONS	SYMBOL	MIN.	TYP.	MAX.	UNIT
Supply voltage range						
operating		V_P	6.0	14.4	18.0	V
non-operating		V_P	–	–	30	V
load dump protected		V_P	–	–	45	V
Repetitive peak output current		I_{ORM}	–	–	2.5	A
Total quiescent current		I_{tot}	–	40	80	mA
Stand-by current		I_{sb}	–	0.1	100	μ A
Switch-on current		I_{sw}	–	–	40	μ A
Input impedance						
BTL		$ Z_i $	25	–	–	k Ω
stereo		$ Z_i $	50	–	–	k Ω
Stereo application						
Output power	THD = 5%; 4 Ω	P_o	–	5	–	W
	THD = 10%; 4 Ω	P_o	–	6	–	W
Channel separation		α	40	–	–	dB
Noise output voltage		$V_{no(rms)}$	–	150	–	μ V
BTL application						
Output power	THD = 10%; 8 Ω	P_o	–	12	–	W
Supply voltage ripple rejection	$R_S = 0 \Omega$					
	f = 100 Hz	RR	34	–	–	dB
	f = 1 kHz to 10 kHz	RR	48	–	–	dB
DC output offset voltage		$ \Delta V_o $	–	–	250	mV
Crystal temperature		T_c	–	–	150	$^{\circ}$ C

12 W BTL or 2 x 6 W stereo car radio
power amplifier

TDA1519B

PACKAGE OUTLINE

9-lead SIL; plastic (SOT110B); SOT110-1; 1996 July 22.

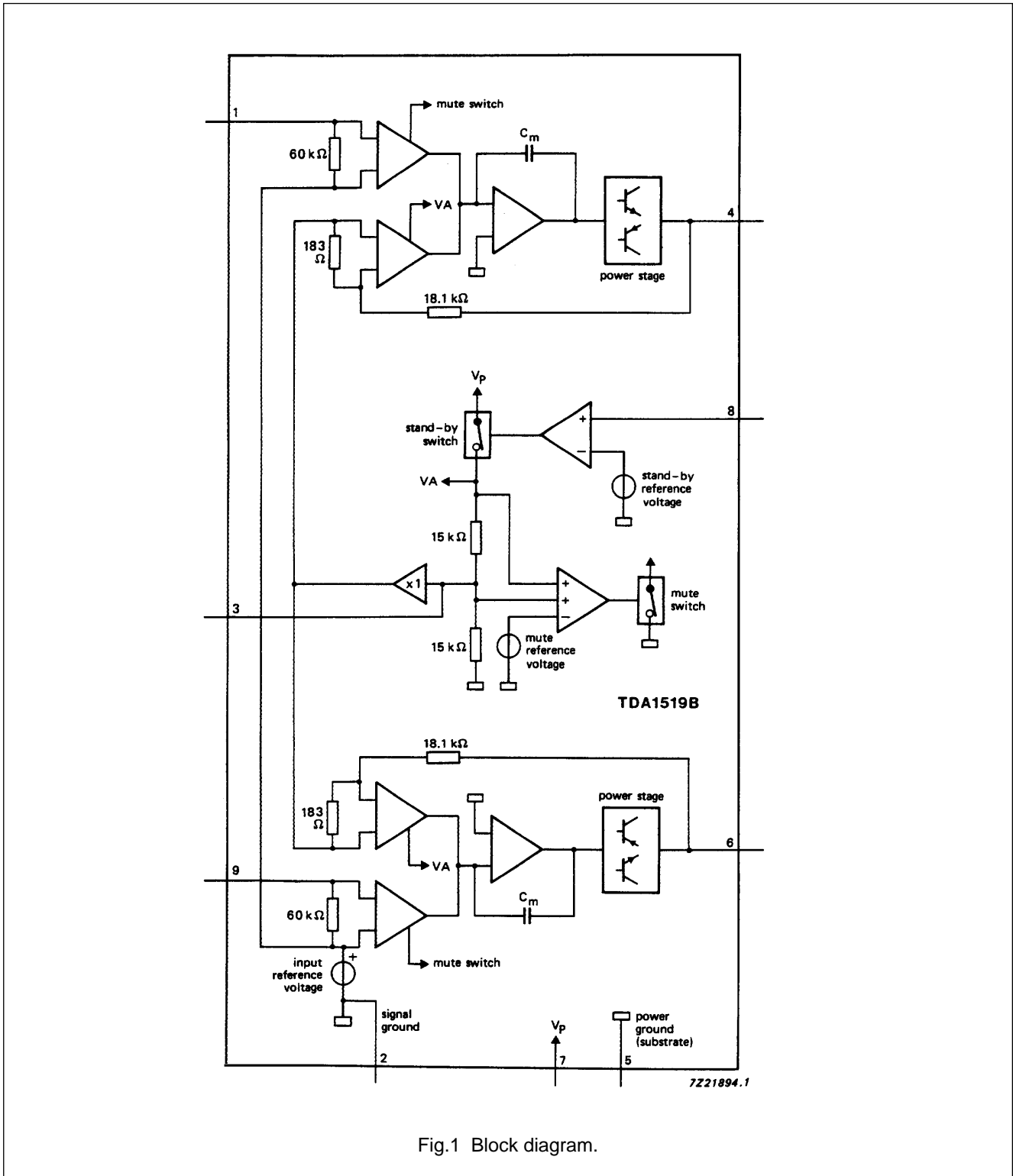


Fig.1 Block diagram.

12 W BTL or 2 x 6 W stereo car radio power amplifier

TDA1519B

PINNING

1	NINV	non-inverting input
2	GND1	ground (signal)
3	RR	supply voltage ripple rejection
4	OUT1	output 1
5	GND2	ground (substrate)
6	OUT2	output 2
7	V _P	positive supply voltage
8	M/SS	mute/stand-by switch
9	INV	inverting input

FUNCTIONAL DESCRIPTION

The TDA1519B contains two identical amplifiers with differential input stages. The gain of each amplifier is fixed at 40 dB. A special feature of this device is the mute/stand-by switch which has the following features:

- Low stand-by current (< 100 μ A)
- Low mute/stand-by switching current (low cost supply switch)
- Mute condition.

RATINGS

Limiting values in accordance with the Absolute Maximum System (IEC 134)

PARAMETER	CONDITIONS	SYMBOL	MIN.	MAX.	UNIT
Supply voltage					
operating		V _P	–	18	V
non-operating		V _P	–	30	V
load dump protected	during 50 ms; t _r ≥ 2.5 ms	V _P	–	45	V
AC and DC short-circuit-safe					
voltage		V _{PSC}	–	18	V
Reverse polarity		V _{PR}	–	6	V
Energy handling capability					
at outputs	V _P = 0 V		–	200	mJ
Non-repetitive peak output current		I _{OSM}	–	4	A
Repetitive peak output current		I _{ORM}	–	2.5	A
Total power dissipation	see Fig.2	P _{tot}	–	15	W
Crystal temperature		T _c	–	150	°C
Storage temperature range		T _{stg}	–55	+150	°C

12 W BTL or 2 x 6 W stereo car radio
power amplifier

TDA1519B

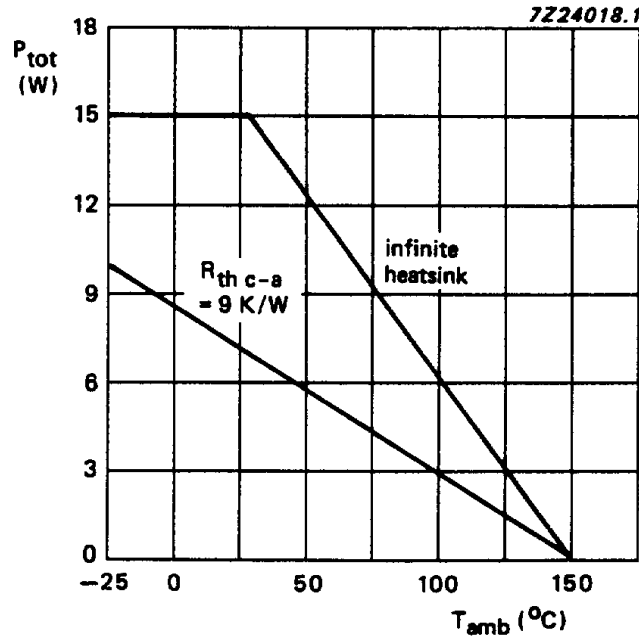


Fig.2 Power derating curve.

DC CHARACTERISTICS

$V_P = 14.4\ V$; $T_{amb} = 25\ ^\circ C$; measurements taken using Fig.3; unless otherwise specified

PARAMETER	CONDITIONS	SYMBOL	MIN.	TYP.	MAX.	UNIT
Supply						
Supply voltage range	note 1	V_P	6.0	14.4	18.0	V
Total quiescent current		I_{tot}	—	40	80	mA
DC output voltage	note 2	V_O	—	6.95	—	V
DC output offset voltage		$ \Delta V_{4-6} $	—	—	250	mV
Mute/stand-by switch						
Switch-on voltage level		V_{ON}	8.5	—	—	V
Mute condition		V_{mute}	3.3	—	6.4	V
Output signal in mute position	$V_I = 1\ V\ (max.)$; $f = 20\ Hz\ to\ 15\ kHz$	V_O	—	—	20	mV
DC output offset voltage		$ \Delta V_{4-6} $	—	—	250	mV
Stand-by condition						
DC current in stand-by condition		I_{sb}	—	—	100	μA
Switch-on current		I_{sw}	—	12	40	μA

12 W BTL or 2 x 6 W stereo car radio power amplifier

TDA1519B

AC CHARACTERISTICS

$V_P = 14.4$ V; $R_L = 4$ Ω ; $f = 1$ kHz; $T_{amb} = 25$ °C; measurements taken using Fig.3; unless otherwise specified

PARAMETER	CONDITIONS	SYMBOL	MIN.	TYP.	MAX.	UNIT
Stereo application						
Output power	note 3					
	THD = 0.5%	P_o	4	5	–	W
	THD = 10%	P_o	5.5	6.0	–	W
Output power at $V_P = 13.2$ V	note 3					
	THD = 0.5%	P_o	–	3.5	–	W
	THD = 10%	P_o	–	4.8	–	W
Total harmonic distortion	$P_o = 1$ W	THD	–	0.1	–	%
Low frequency roll-off	note 4					
	–3 dB	f_L	–	45	–	Hz
High frequency roll-off	–1 dB	f_H	20	–	–	kHz
Closed loop voltage gain		G_V	39	40	41	dB
Supply voltage ripple rejection						
ON	notes 5 and 6	RR	40	–	–	dB
ON	notes 5 and 7	RR	45	–	–	dB
mute	notes 5, 6 and 7	RR	45	–	–	dB
stand-by	notes 5, 6 and 7	RR	80	–	–	dB
Input impedance		$ Z_i $	50	60	75	k Ω
Noise output voltage (RMS value)	note 8					
ON	$R_S = 0$ Ω	$V_{no(rms)}$	–	150	–	μ V
ON	$R_S = 10$ k Ω	$V_{no(rms)}$	–	250	500	μ V
mute	note 9	$V_{no(rms)}$	–	120	–	μ V
Channel separation	$R_S = 10$ k Ω	α	40	–	–	dB
Channel unbalance		$ \Delta G_V $	–	0.1	1	dB

12 W BTL or 2 x 6 W stereo car radio power amplifier

TDA1519B

AC CHARACTERISTICS

$V_P = 14.4$ V; $R_L = 8$ Ω ; $f = 1$ kHz; $T_{amb} = 25$ °C; measurements taken using Fig.4; unless otherwise specified

PARAMETER	CONDITIONS	SYMBOL	MIN.	TYP.	MAX.	UNIT
BTL application						
Output power	note 3					
	THD = 0.5%	P_o	8	10	–	W
	THD = 10%	P_o	11	12	–	W
Output power at $V_P = 13.2$ V	note 3					
	THD = 0.5%	P_o	–	7.5	–	W
	THD = 10%	P_o	–	10	–	W
Total harmonic distortion	$P_o = 1$ W	THD	–	0.1	–	%
Power bandwidth	THD = 0.5%; $P_o = -1$ dB; w.r.t. 15 W	B_w	–	35 to 15 000	–	Hz
Low frequency roll-off	note 4					
	-1 dB	f_L	–	45	–	Hz
High frequency roll-off	-1 dB	f_H	20	–	–	kHz
Closed loop voltage gain		G_v	45	46	47	dB
Supply voltage ripple rejection						
ON	notes 5 and 6	RR	34	–	–	dB
ON	notes 5 and 7	RR	48	–	–	dB
mute	notes 5, 6 and 7	RR	48	–	–	dB
stand-by	notes 5, 6 and 7	RR	80	–	–	dB
Input impedance		$ Z_i $	25	30	38	k Ω
Noise output voltage (RMS value)	note 8					
ON	$R_S = 0$ Ω	$V_{no(rms)}$	–	200	–	μ V
ON	$R_S = 10$ k Ω	$V_{no(rms)}$	–	350	700	μ V
mute	note 9	$V_{no(rms)}$	–	180	–	μ V

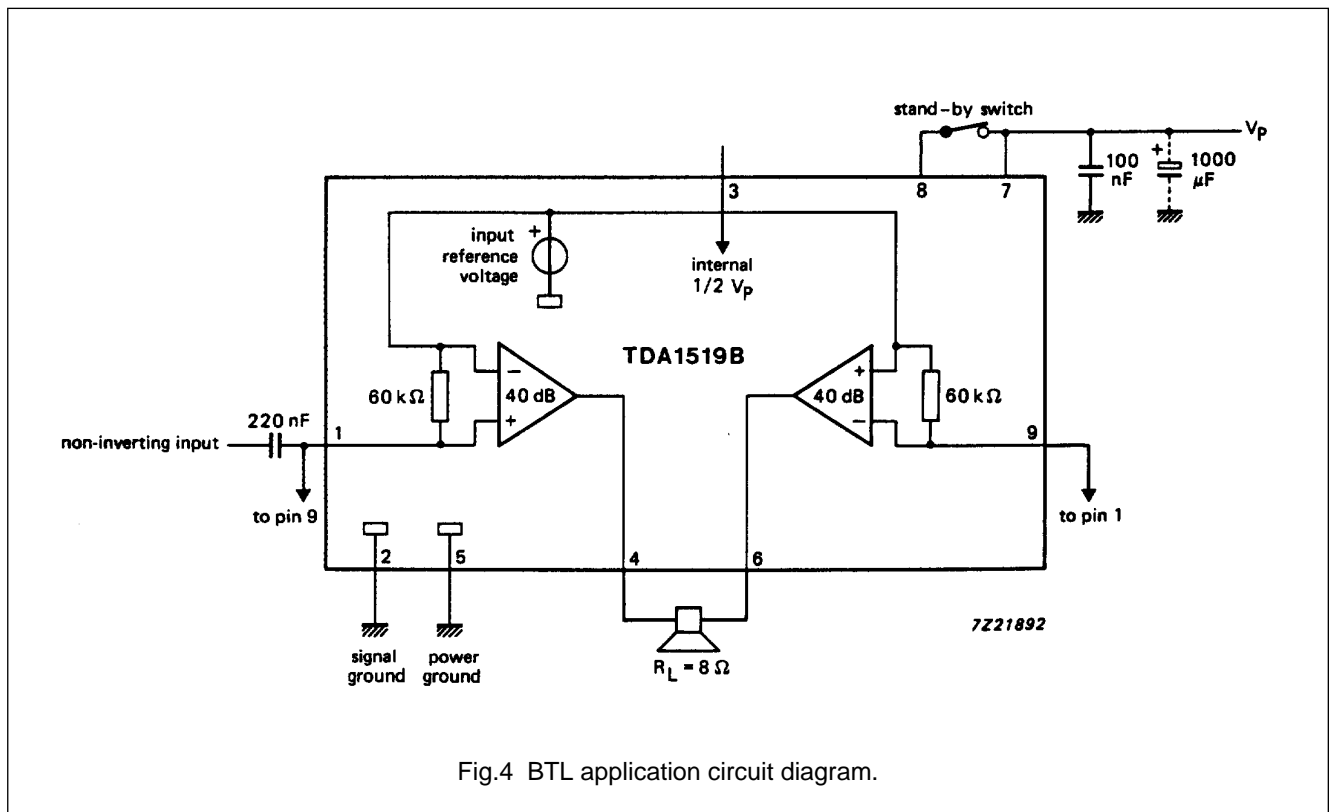
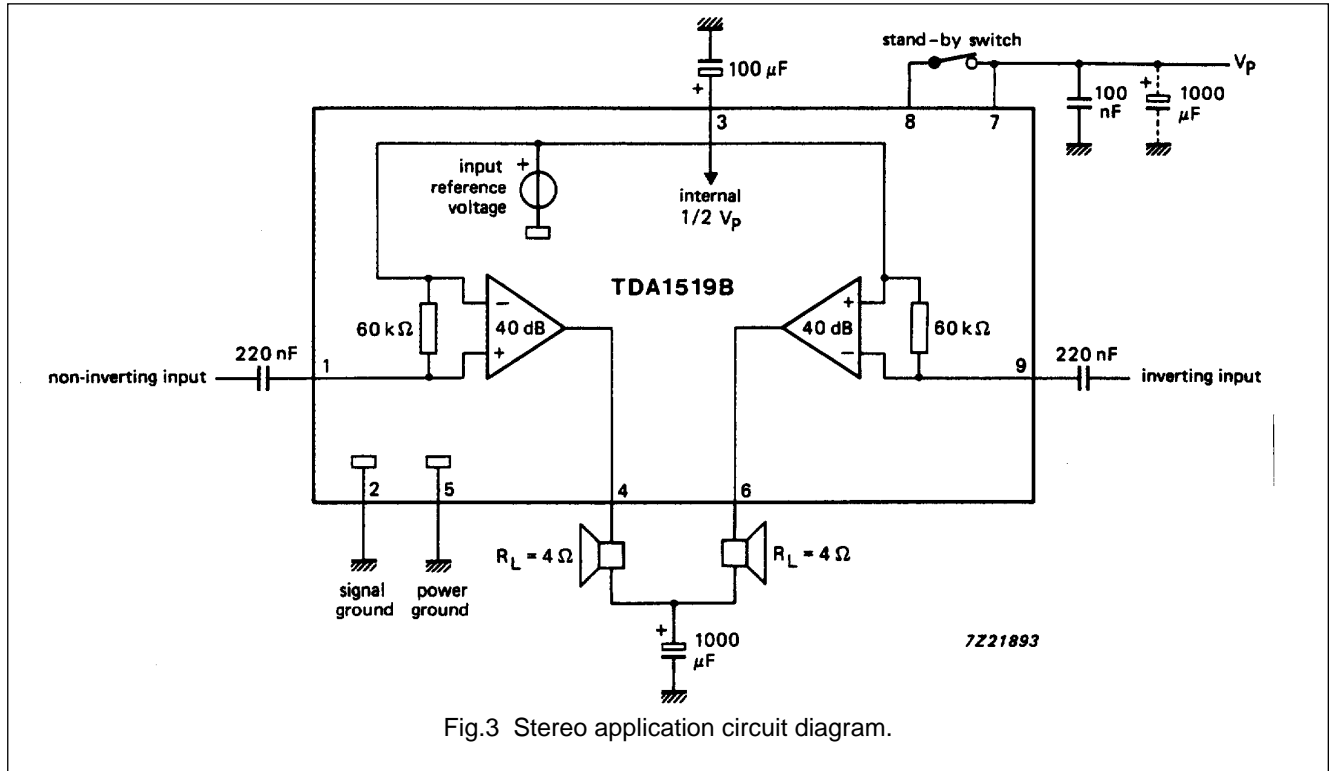
Notes to the characteristics

- The circuit is DC adjusted at $V_P = 6$ V to 18 V and AC operating at $V_P = 8.5$ V to 18 V.
- At 18 V < V_P < 30 V the DC output voltage $\leq V_P/2$.
- Output power is measured directly at the output pins of the IC.
- Frequency response externally fixed.
- Ripple rejection measured at the output with a source impedance of 0 Ω (maximum ripple amplitude of 2 V).
- Frequency $f = 100$ Hz.
- Frequency between 1 kHz and 10 kHz.
- Noise voltage measured in a bandwidth to 20 Hz to 20 kHz.
- Noise output voltage independent of R_S ($V_i = 0$ V).

12 W BTL or 2 x 6 W stereo car radio
power amplifier

TDA1519B

APPLICATION INFORMATION



12 W BTL or 2 x 6 W stereo car radio
power amplifier

TDA1519B

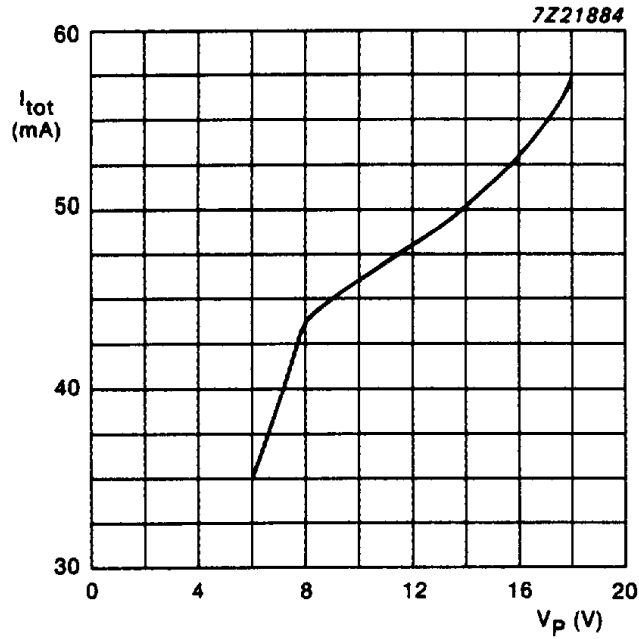


Fig.5 Total quiescent current (I_{tot}) as a function of supply voltage (V_P).

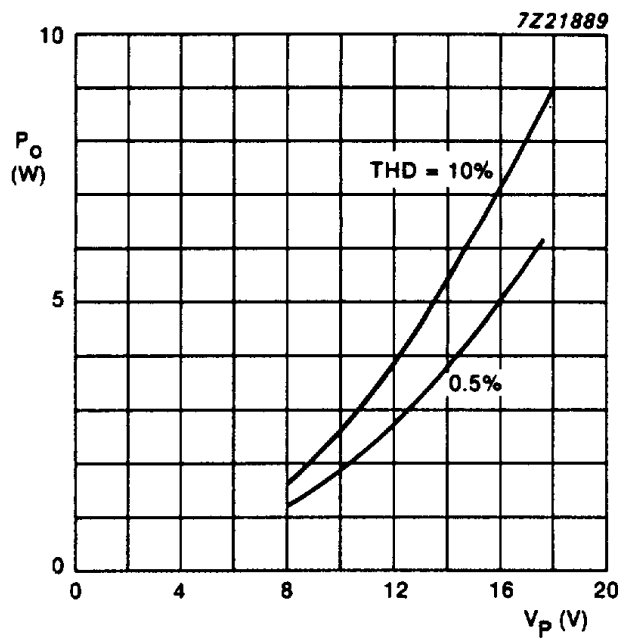


Fig.6 Output power (P_o) as a function of supply voltage (V_P) for stereo application at $R_L = 4 \Omega$, $f = 1 \text{ kHz}$.

12 W BTL or 2 x 6 W stereo car radio
power amplifier

TDA1519B

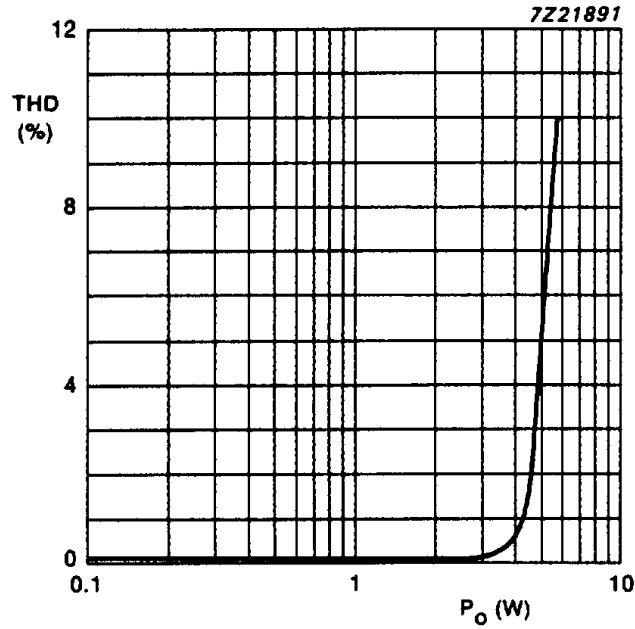


Fig.7 Total harmonic distortion (THD) as a function of output power (P_o) for stereo application at $R_L = 4 \Omega$, $f = 1$ kHz.

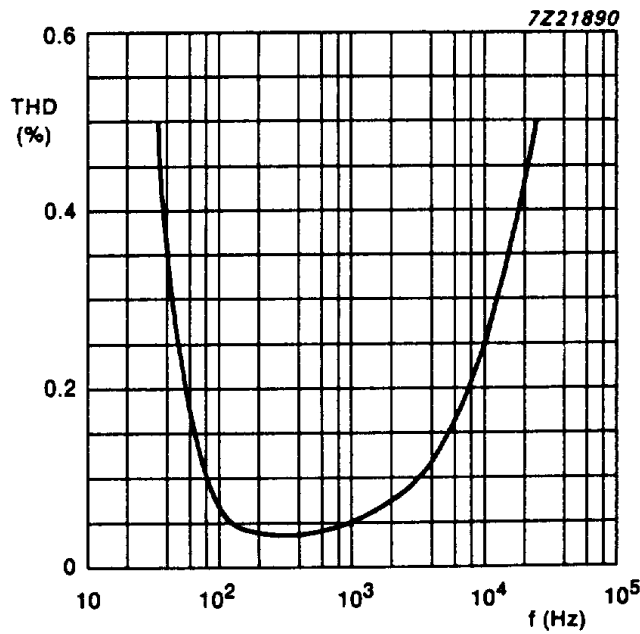


Fig.8 Total harmonic distortion (THD) as a function of operating frequency (f) for stereo application at $R_L = 4 \Omega$, $P_o = 1$ W.

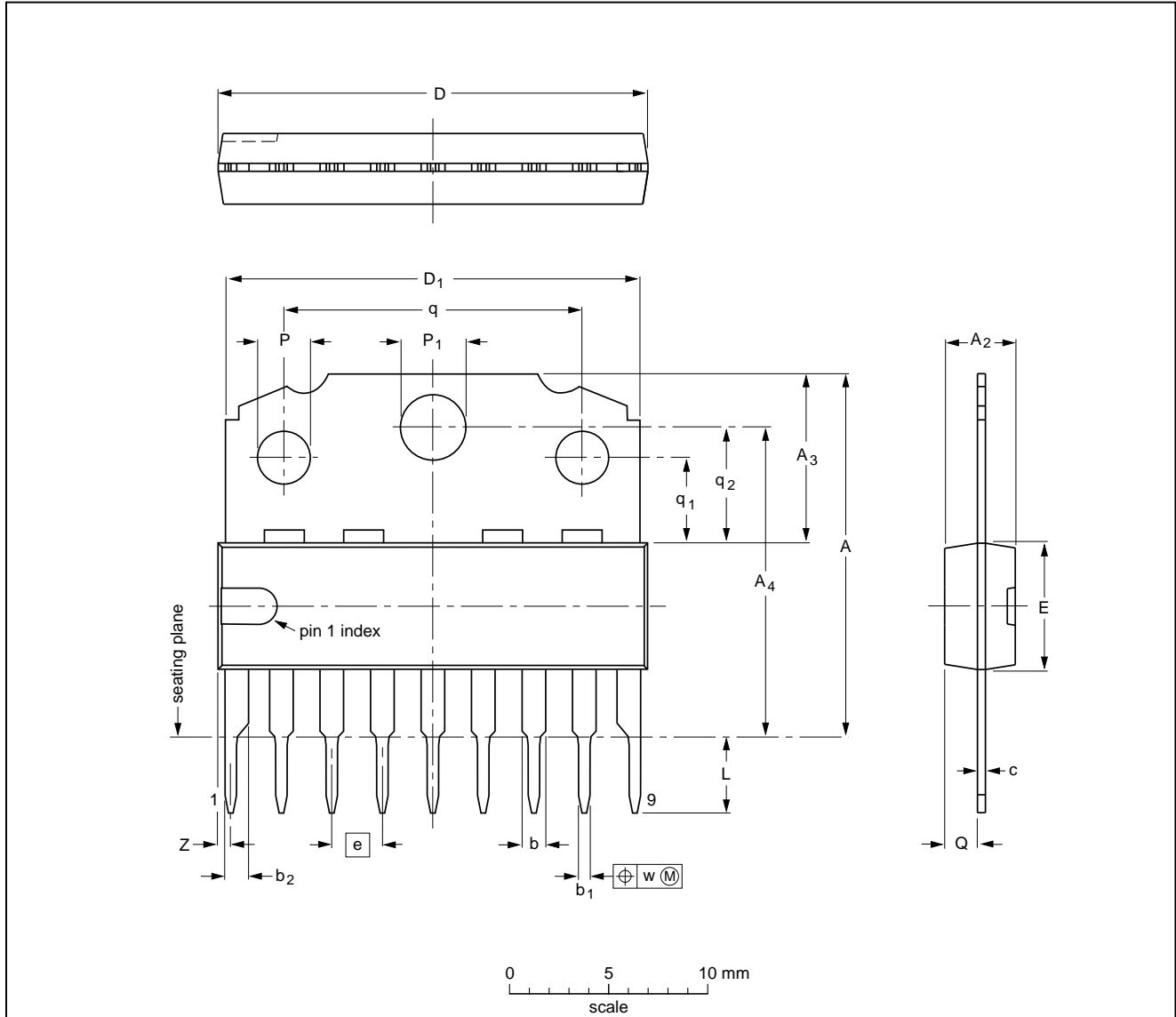
12 W BTL or 2 x 6 W stereo car radio
power amplifier

TDA1519B

PACKAGE OUTLINE

SIL9MPF: plastic single in-line medium power package with fin; 9 leads

SOT110-1



DIMENSIONS (mm are the original dimensions)

UNIT	A	A ₂ max.	A ₃	A ₄	b	b ₁	b ₂	c	D ⁽¹⁾	D ₁	E ⁽¹⁾	e	L	P	P ₁	Q	q	q ₁	q ₂	w	Z ⁽¹⁾ max.
mm	18.5 17.8	3.7	8.7 8.0	15.8 15.4	1.40 1.14	0.67 0.50	1.40 1.14	0.48 0.38	21.8 21.4	21.4 20.7	6.48 6.20	2.54	3.9 3.4	2.75 2.50	3.4 3.2	1.75 1.55	15.1 14.9	4.4 4.2	5.9 5.7	0.25	1.0

Note

1. Plastic or metal protrusions of 0.25 mm maximum per side are not included.

OUTLINE VERSION	REFERENCES				EUROPEAN PROJECTION	ISSUE DATE
	IEC	JEDEC	EIAJ			
SOT110-1						92-11-17 95-02-25

12 W BTL or 2 x 6 W stereo car radio power amplifier

TDA1519B

SOLDERING

Introduction

There is no soldering method that is ideal for all IC packages. Wave soldering is often preferred when through-hole and surface mounted components are mixed on one printed-circuit board. However, wave soldering is not always suitable for surface mounted ICs, or for printed-circuits with high population densities. In these situations reflow soldering is often used.

This text gives a very brief insight to a complex technology. A more in-depth account of soldering ICs can be found in our "IC Package Databook" (order code 9398 652 90011).

Soldering by dipping or by wave

The maximum permissible temperature of the solder is 260 °C; solder at this temperature must not be in contact with the joint for more than 5 seconds. The total contact time of successive solder waves must not exceed 5 seconds.

The device may be mounted up to the seating plane, but the temperature of the plastic body must not exceed the specified maximum storage temperature ($T_{stg\ max}$). If the printed-circuit board has been pre-heated, forced cooling may be necessary immediately after soldering to keep the temperature within the permissible limit.

Repairing soldered joints

Apply a low voltage soldering iron (less than 24 V) to the lead(s) of the package, below the seating plane or not more than 2 mm above it. If the temperature of the soldering iron bit is less than 300 °C it may remain in contact for up to 10 seconds. If the bit temperature is between 300 and 400 °C, contact may be up to 5 seconds.

DEFINITIONS

Data sheet status	
Objective specification	This data sheet contains target or goal specifications for product development.
Preliminary specification	This data sheet contains preliminary data; supplementary data may be published later.
Product specification	This data sheet contains final product specifications.
Limiting values	
Limiting values given are in accordance with the Absolute Maximum Rating System (IEC 134). Stress above one or more of the limiting values may cause permanent damage to the device. These are stress ratings only and operation of the device at these or at any other conditions above those given in the Characteristics sections of the specification is not implied. Exposure to limiting values for extended periods may affect device reliability.	
Application information	
Where application information is given, it is advisory and does not form part of the specification.	

LIFE SUPPORT APPLICATIONS

These products are not designed for use in life support appliances, devices, or systems where malfunction of these products can reasonably be expected to result in personal injury. Philips customers using or selling these products for use in such applications do so at their own risk and agree to fully indemnify Philips for any damages resulting from such improper use or sale.