

阅读申明

- 1.本站收集的数据手册和产品资料都来自互联网，版权归原作者所有。如读者和版权方有任何异议请及时告之，我们将妥善解决。
- 2.本站提供的中文数据手册是英文数据手册的中文翻译，其目的是协助用户阅读，该译文无法自动跟随原稿更新，同时也可能存在翻译上的不当。建议读者以英文原稿为参考以便获得更精准的信息。
- 3.本站提供的产品资料，来自厂商的技术支持或者使用者的心得体会等，其内容可能存在描述上的差异，建议读者做出适当判断。
- 4.如需与我们联系，请发邮件到marketing@iczoom.com，主题请标有“数据手册”字样。

Read Statement

1. The datasheets and other product information on the site are all from network reference or other public materials, and the copyright belongs to the original author and original published source. If readers and copyright owners have any objections, please contact us and we will deal with it in a timely manner.
2. The Chinese datasheets provided on the website is a Chinese translation of the English datasheets. Its purpose is for reader's learning exchange only and do not involve commercial purposes. The translation cannot be automatically updated with the original manuscript, and there may also be improper translations. Readers are advised to use the English manuscript as a reference for more accurate information.
3. All product information provided on the website refer to solutions from manufacturers' technical support or users the contents may have differences in description, and readers are advised to take the original article as the standard.
4. If you have any questions, please contact us at marketing@iczoom.com and mark the subject with "Datasheets" .

FEATURES

- R_{SENSE} : $50m\Omega \pm 1\%$
- Fully Assembled and Tested
- 2in x 2in 2-layer circuit board

COMPONENT LIST

DESIGNATION	QTY	DESCRIPTION
C1	1	0.1 μ F \pm 10% capacitor (0805)
C2	1	47nF \pm 10% capacitor (0805)
R1	1	50m Ω \pm 1% (0805)
U1	1	TS1100-25DB/ TS1100-50DB/ TS1100-100DB/ TS1100-200DB
VBATT, VOUT, LOAD	3	Test points

DESCRIPTION

The demo board for the TS1100 is a completely assembled and tested circuit board that can be used for evaluating the current-sense amplifier for all (4) gain options; i.e., 25V/V, 50V/V, 100V/V, and 200V/V.

The board is configured with an $R_{SENSE} = R1 = 50m\Omega$ resistor. The board has a dedicated $RS+ = VBATT$, $RS- = LOAD$, and output voltage $OUT = VOUT$ test points. For additional information, refer to the TS1100 product datasheet.

All TS1100s are available in a PCB-space saving 5-lead SOT23 surface-mount package.

Product data sheets and additional documentation can be found at www.silabs.com.

ORDERING INFORMATION

Order Number	Description
TS1100-25DB	TS1100-XXX Demo Board
TS1100-50DB	
TS1100-100DB	
TS1100-200DB	

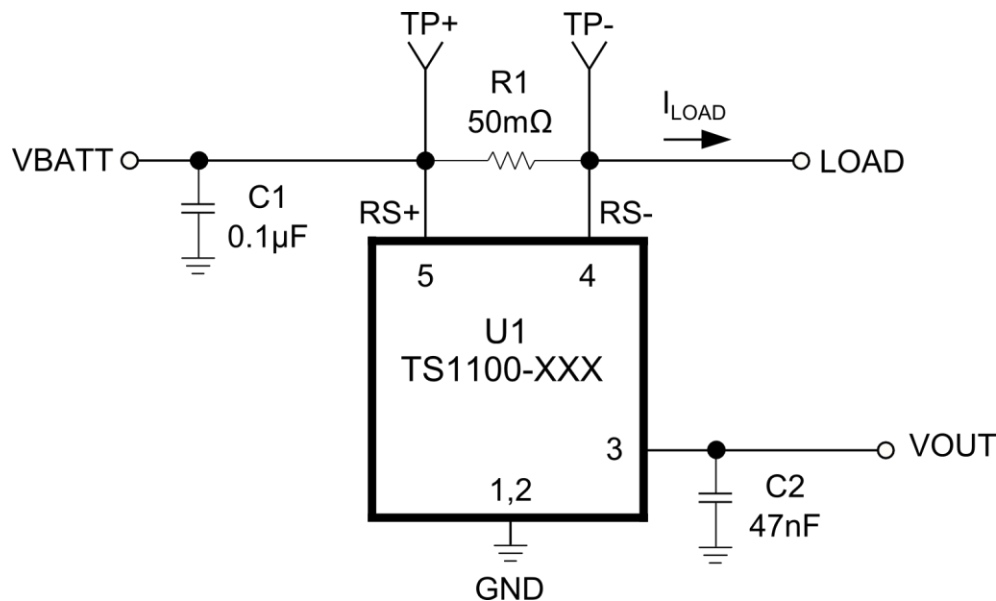


Figure 1. TS1100 current-sense amplifier circuit

TS1100 Current-Sense Amplifier Demo Board



The demo board includes an on-board 0.1μF decoupling capacitor at the V_{BATT} input pin and a 47nF capacitor at the V_{OUT} output pin. Depending on the load current desired, an external resistor or active load is to be connected to the LOAD pin.

QUICK START PROCEDURE

Required Equipment

- TS1100 demo board
- A DC Power Supply, an HP Model HP6624A or equivalent
- Two digital voltmeters
- Load resistor or an active load (value varies depending on I_{LOAD} desired)

Signal	Eval board
RS+	VBATT
RS-	LOAD
OUT	VOUT
GND	GND

Table 1. Demo board test points

GAIN (V/V)	V _{BATT} (V)	I _{LOAD} (mA)	R _{LOAD} (Ω)	V _{OUT} (V)	MAX V _{SENSE} (mV)
25	6	1600	3.75	2	80
50	6	800	7.5	2	40
100	6	400	15	2	20
200	6	200	30	2	10

Table 2. Demo board test set-up per gain setting

To evaluate the TS1100 current-sense amplifier circuit, the following steps are to be performed:

- 1) Before connecting the DC power supply to the demo board, turn on the power supply, set the DC voltage to 6V, set its short circuit current limit to 10% higher than the maximum load current in the application, and then turn it off.
- 2) Connect the DC power supply positive terminal to the pad labeled V_{BATT} and its negative terminal to the adjacent pad labeled GND.
- 3) Connect a digital voltmeter to the test points labeled TP+ and TP- to measure V_{SENSE}.
- 4) Connect the positive terminal of a second digital voltmeter to the test point labeled V_{OUT} and the

negative terminal to the adjacent test point labeled GND.

- 5) Based on the selected gain option of the current sense amplifier, select the load resistor or an active load according to Table 2. Connect one end of this resistor or active load to the pad labeled LOAD and the other end to the adjacent pad labeled GND.
- 6) Turn on the power supply and observe the output voltage at V_{OUT}. The expression for the TS1100's output voltage is given by:

$$V_{OUT} = I_{LOAD} \times 50m\Omega \times R_{OUT}/R1$$

where the TS1100's internal R_{OUT} and R1 resistor values are listed in Table 3.

GAIN(V/V)	R1 (Ω)	ROUT (Ω)
25	400	10k
50	200	10k
100	100	10k
200	100	20k

Table 3. TS1100's Internal Gain Setting Resistors (typical values)

- 7) The TS1100's actual output voltage V_{OUT} will depend on the TS1100's actual offset voltage V_{OS}, its gain error GE, sense resistor (R_{SENSE}) tolerance of ±1%, and the load resistor tolerance/active load accuracy.

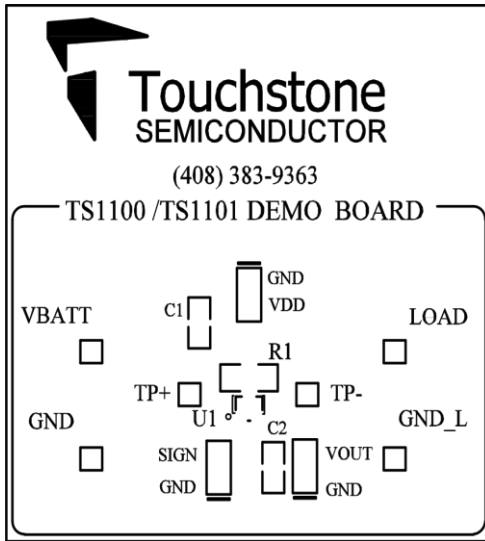


Figure 2. Top Layer Component View

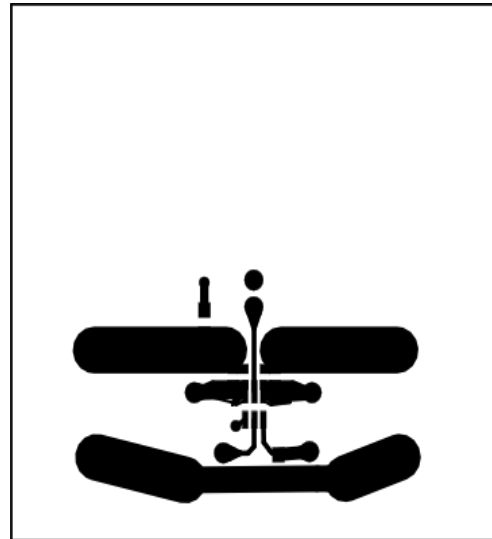


Figure 3. Top Layer Component View #2

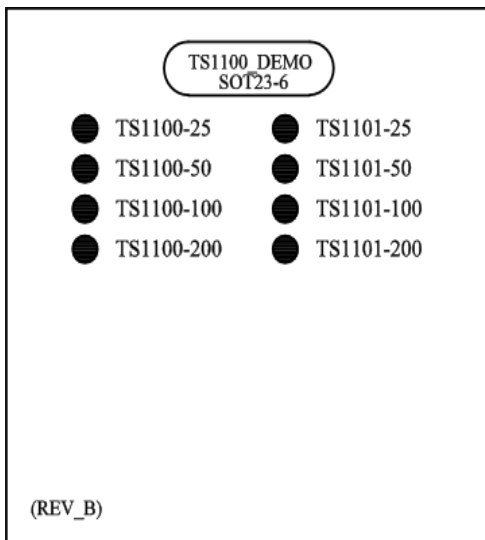


Figure 4. Bottom Layer (GND)

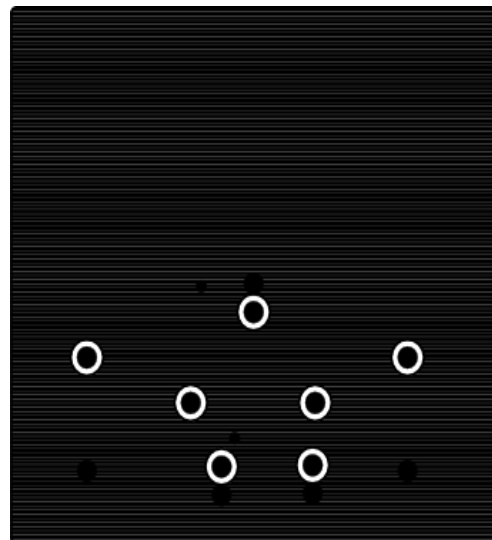


Figure 5. Bottom Layer (GND) #2