

阅读申明

- 1.本站收集的数据手册和产品资料都来自互联网，版权归原作者所有。如读者和版权方有任何异议请及时告之，我们将妥善解决。
- 2.本站提供的中文数据手册是英文数据手册的中文翻译，其目的是协助用户阅读，该译文无法自动跟随原稿更新，同时也可能存在翻译上的不当。建议读者以英文原稿为参考以便获得更精准的信息。
- 3.本站提供的产品资料，来自厂商的技术支持或者使用者的心得体会等，其内容可能存在描述上的差异，建议读者做出适当判断。
- 4.如需与我们联系，请发邮件到marketing@iczoom.com，主题请标有“数据手册”字样。

Read Statement

1. The datasheets and other product information on the site are all from network reference or other public materials, and the copyright belongs to the original author and original published source. If readers and copyright owners have any objections, please contact us and we will deal with it in a timely manner.
2. The Chinese datasheets provided on the website is a Chinese translation of the English datasheets. Its purpose is for reader's learning exchange only and do not involve commercial purposes. The translation cannot be automatically updated with the original manuscript, and there may also be improper translations. Readers are advised to use the English manuscript as a reference for more accurate information.
3. All product information provided on the website refer to solutions from manufacturers' technical support or users the contents may have differences in description, and readers are advised to take the original article as the standard.
4. If you have any questions, please contact us at marketing@iczoom.com and mark the subject with "Datasheets" .

SA5211

Transimpedance amplifier (180 MHz)

Rev. 03 — 07 October 1998

Product specification

1. Description

The SA5211 is a 28 k Ω transimpedance, wide-band, low noise amplifier with differential outputs, particularly suitable for signal recovery in fiber optic receivers. The part is ideally suited for many other RF applications as a general purpose gain block.

2. Features

- Extremely low noise: 1.8 pA / $\sqrt{\text{Hz}}$
- Single 5 V supply
- Large bandwidth: 180 MHz
- Differential outputs
- Low input/output impedances
- High power supply rejection ratio
- 28 k Ω differential transresistance

3. Applications

- Fiber optic receivers, analog and digital
- Current-to-voltage converters
- Wide-band gain block
- Medical and scientific Instrumentation
- Sensor preamplifiers
- Single-ended to differential conversion
- Low noise RF amplifiers
- RF signal processing



PHILIPS

4. Pinning information

4.1 Pinning

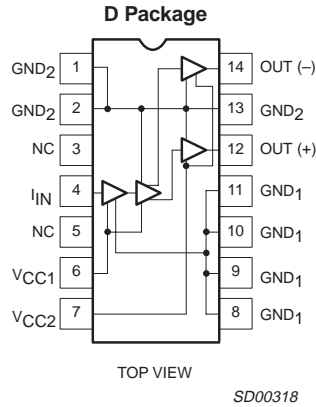


Fig 1. Pin configuration.

5. Ordering information

Table 1: Ordering information

Type number	Package		Version	Temperature range (°C)
	Name	Description		
SA5211D	SO14	plastic small outline package; 14 leads; body width 3.9 mm	SOT108-1	-40 to +85

6. Limiting values

Table 2: Limiting values

In accordance with the Absolute Maximum Rating System (IEC 60134).

Symbol	Parameter	Conditions	Min	Max	Unit
V_{CC}	power supply		-	6	V
T_{amb}	operating ambient temperature range		-40	+85	°C
T_J	operating junction temperature range		-55	+150	°C
T_{STG}	storage temperature range		-65	+150	°C
$P_{D\ MAX}$	power dissipation, $T_A = 25\ ^\circ\text{C}$ (still-air) ^[1]		-	1.0	W
$I_{IN\ MAX}$	maximum input current ^[2]		-	5	mA
θ_{JA}	thermal resistance		-	125	°C/W

[1] Maximum dissipation is determined by the operating ambient temperature and the thermal resistance: $\theta_{JA} = 125\ ^\circ\text{C/W}$

[2] The use of a pull-up resistor to V_{CC} , for the PIN diode is recommended.

Table 3: Recommended operating conditions

Symbol	Parameter	Conditions	Min	Max	Unit
V_{CC}	supply voltage		4.5	5.5	V
T_{amb}	ambient temperature range		-40	+85	°C
T_J	junction temperature range		-40	+105	°C

7. Static characteristics

Table 4: DC electrical characteristics

Min and Max limits apply over operating temperature range at $V_{CC} = 5\text{ V}$, unless otherwise specified. Typical data apply at $V_{CC} = 5\text{ V}$ and $T_{amb} = 25\text{ °C}$.

Symbol	Parameter	Test conditions	Min	Typ	Max	Unit
V_{IN}	input bias voltage		0.55	0.8	1.00	V
$V_{O\pm}$	output bias voltage		2.7	3.4	3.7	V
V_{OS}	output offset voltage		–	0	130	mV
I_{CC}	supply current		20	26	31	mA
I_{OMAX}	output sink/source current ^[1]		3	4	–	mA
I_{IN}	input current (2% linearity)	Test Circuit 8, Procedure 2	±20	±40	–	µA
$I_{IN\ MAX}$	maximum input current overload threshold	Test Circuit 8, Procedure 4	±30	±60	–	µA

[1] Test condition: output quiescent voltage variation is less than 100 mV for 3 mA load current.

8. Dynamic characteristics

Table 5: AC electrical characteristics

Typical data and Min and Max limits apply at $V_{CC} = 5\text{ V}$ and $T_{amb} = 25\text{ °C}$

Symbol	Parameter	Test conditions	Min	Typ	Max	Unit
R_T	transresistance (differential output)	DC tested $R_L = \infty$ Test Circuit 8, Procedure 1	21	28	36	kΩ
R_O	output resistance (differential output)	DC tested	–	30	–	Ω
R_T	transresistance (single-ended output)	DC tested $R_L = \infty$	10.5	14	18.0	kΩ
R_O	output resistance (single-ended output)	DC tested	–	15	–	Ω
f_{3dB}	bandwidth (-3dB)	$T_A = 25\text{ °C}$ Test circuit 1	–	180	–	MHz
R_{IN}	input resistance		–	200	–	Ω
C_{IN}	input capacitance		–	4	–	pF
$\Delta R/\Delta V$	transresistance power supply sensitivity	$V_{CC} = 5 \pm 0.5\text{ V}$	–	3.7	–	%/V
$\Delta R/\Delta T$	transresistance ambient temperature sensitivity	$\Delta T_{amb} = T_{amb\ MAX} - T_{amb\ MIN}$	–	0.025	–	%/°C
I_N	RMS noise current spectral density (referred to input)	Test Circuit 2 $f = 10\text{ MHz}$ $T_A = 25\text{ °C}$	–	1.8	–	$\text{pA}/\sqrt{\text{Hz}}$
I_T	integrated RMS noise current over the bandwidth (referred to input)	$T_A = 25\text{ °C}$ Test Circuit 2	–	–	–	–

Table 5: AC electrical characteristics...continued

Typical data and Min and Max limits apply at $V_{CC} = 5\text{ V}$ and $T_{amb} = 25\text{ }^{\circ}\text{C}$

Symbol	Parameter	Test conditions	Min	Typ	Max	Unit
I_n	$C_S = 0$ [1]	$\Delta f = 50\text{ MHz}$	–	13	–	nA
		$\Delta f = 100\text{ MHz}$	–	20	–	
		$\Delta f = 200\text{ MHz}$	–	35	–	
I_n	$C_S = 1\text{ pF}$	$\Delta f = 50\text{ MHz}$	–	13	–	nA
		$\Delta f = 100\text{ MHz}$	–	21	–	
		$\Delta f = 200\text{ MHz}$	–	41	–	
PSRR	power supply rejection ratio [2] ($V_{CC1} = V_{CC2}$)	DC tested, $\Delta V_{CC} = 0.1\text{ V}$ Equivalent AC Test Circuit 3	23	32	–	dB
PSRR	power supply rejection ratio [2] (V_{CC1})	DC tested, $\Delta V_{CC} = 0.1\text{ V}$ Equivalent AC Test Circuit 4	23	32	–	dB
PSRR	power supply rejection ratio [2] (V_{CC2})	DC tested, $\Delta V_{CC} = 0.1\text{ V}$ Equivalent AC Test Circuit 5	45	65	–	dB
PSRR	power supply rejection ratio (ECL configuration) [2]	$f = 0.1\text{ MHz}$ Test Circuit 6	–	23	–	dB
V_{OMAX}	maximum differential output voltage swing	$R_L = \infty$ Test Circuit 8, Procedure 3	1.7	3.2	–	V_{P-P}
$V_{IN\ MAX}$	maximum input amplitude for output duty cycle of $50\pm 5\%$ [3]	Test Circuit 7	160	–	–	mV_{P-P}
t_R	rise time for 50mV output signal [4]	Test Circuit 7	–	0.8	1.8	ns

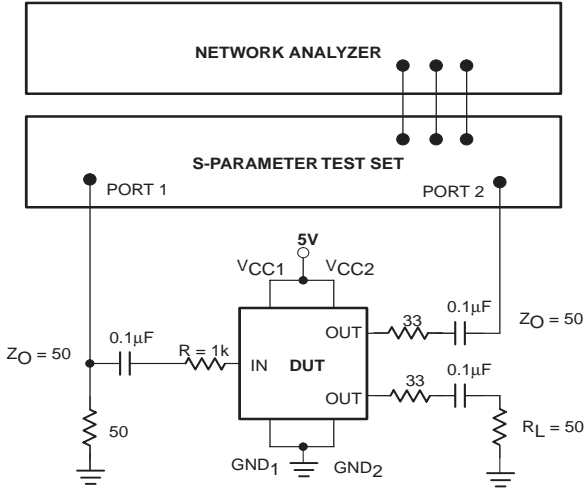
[1] Package parasitic capacitance amounts to about 0.2pF

[2] PSRR is output referenced and is circuit board layout dependent at higher frequencies. For best performance use RF filter in V_{CC} lines.

[3] Guaranteed by linearity and overload tests.

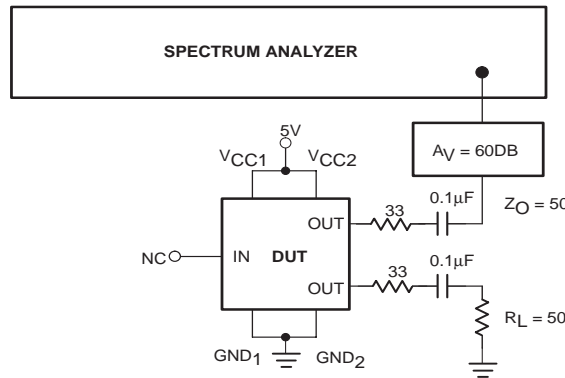
[4] t_R defined as 20 to 80% rise time. It is guaranteed by -3dB bandwidth test.

9. Test circuits



SINGLE-ENDED	DIFFERENTIAL
$R_T \approx \frac{V_{OUT}}{V_{IN}} R = 2 \times S_{21} \times R$	$R_T = \frac{V_{OUT}}{V_{IN}} R = 4 \times S_{21} \times R$
$R_O \approx Z_O \left \frac{1 + S_{22}}{1 - S_{22}} \right - 33$	$R_O = 2Z_O \left \frac{1 + S_{22}}{1 - S_{22}} \right - 66$

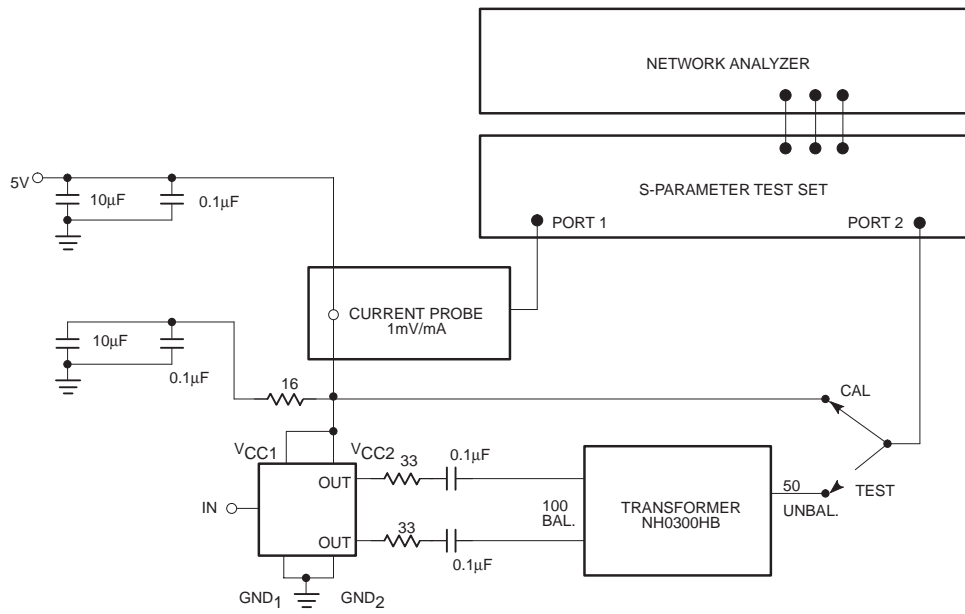
Test Circuit 1



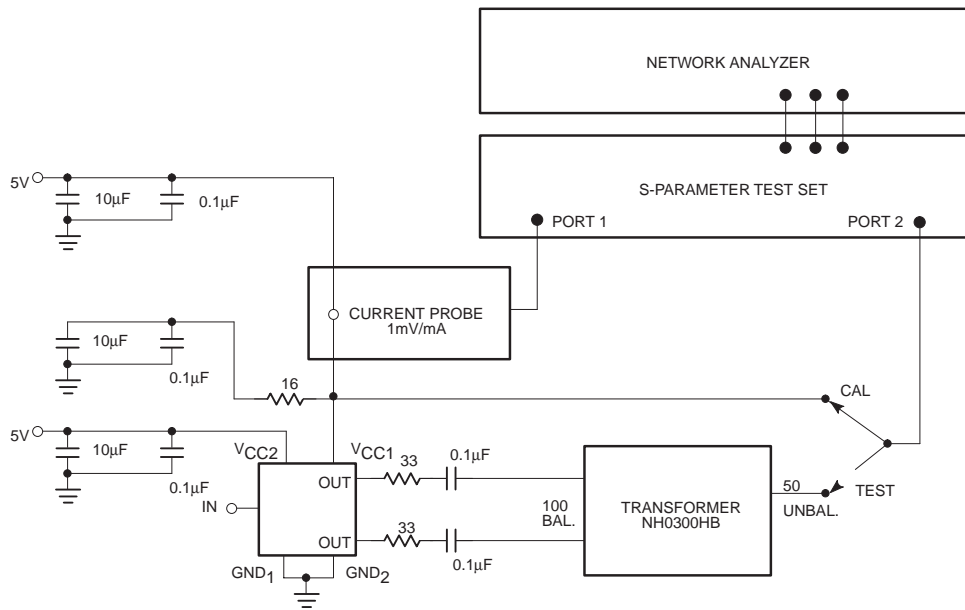
Test Circuit 2

SD00319

Fig 2. Test circuits 1 and 2.



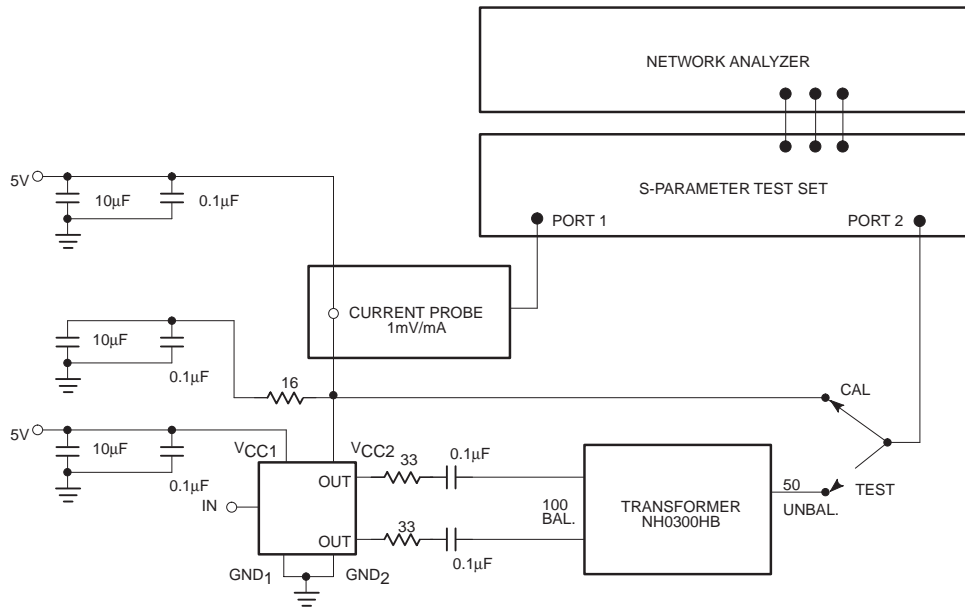
Test Circuit 3



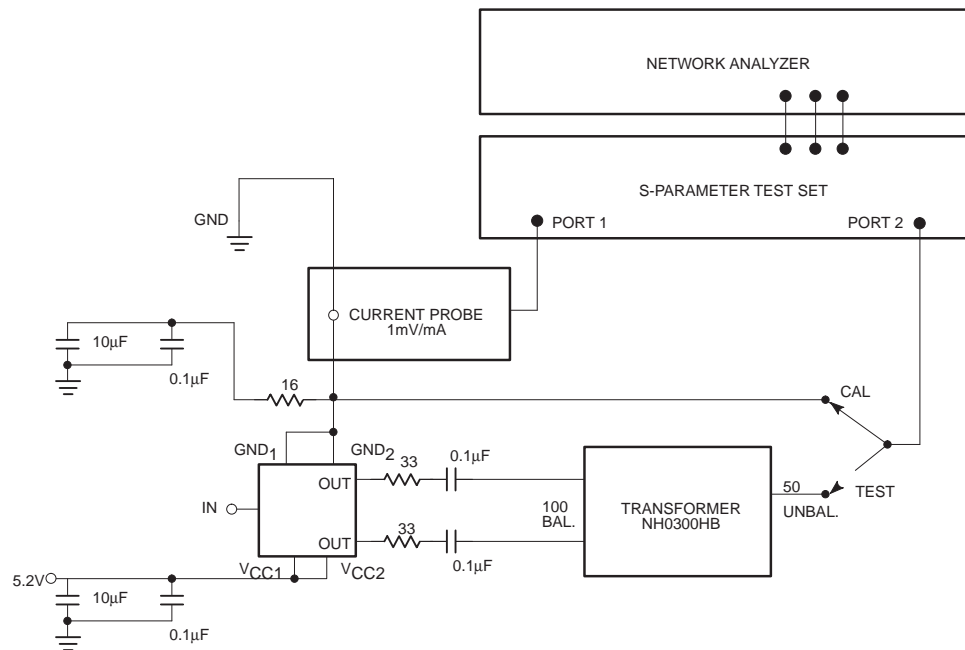
Test Circuit 4

SD00320

Fig 3. Test circuits 3 and 4.



Test Circuit 5



Test Circuit 6

SD00321

Fig 4. Test circuits 5 and 6.

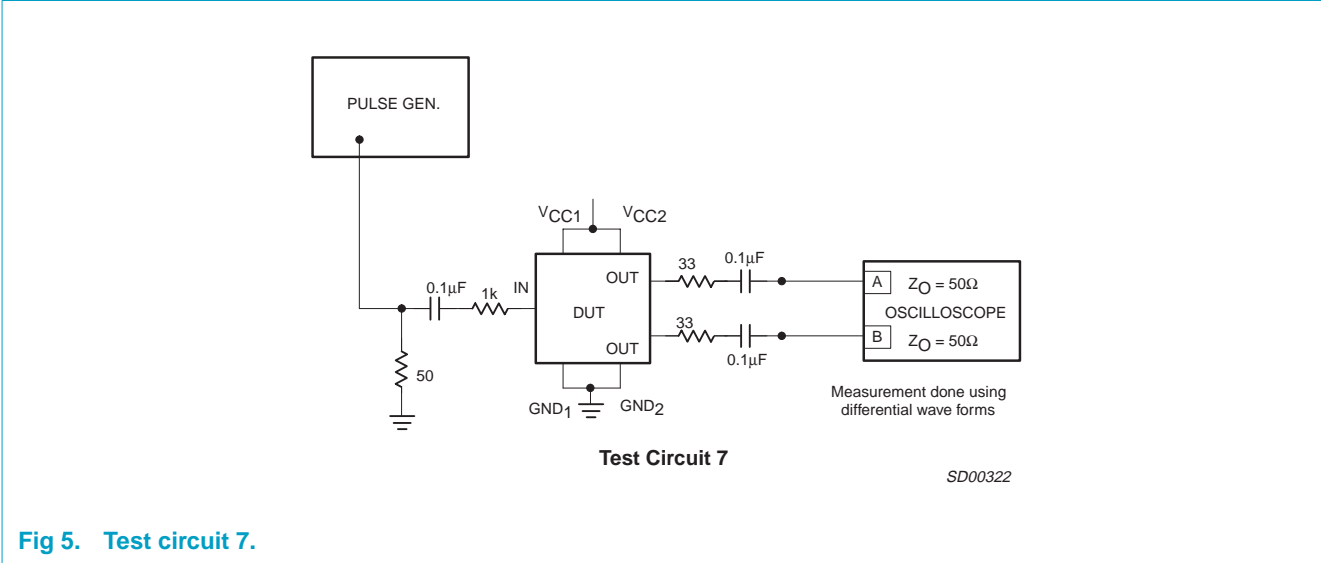
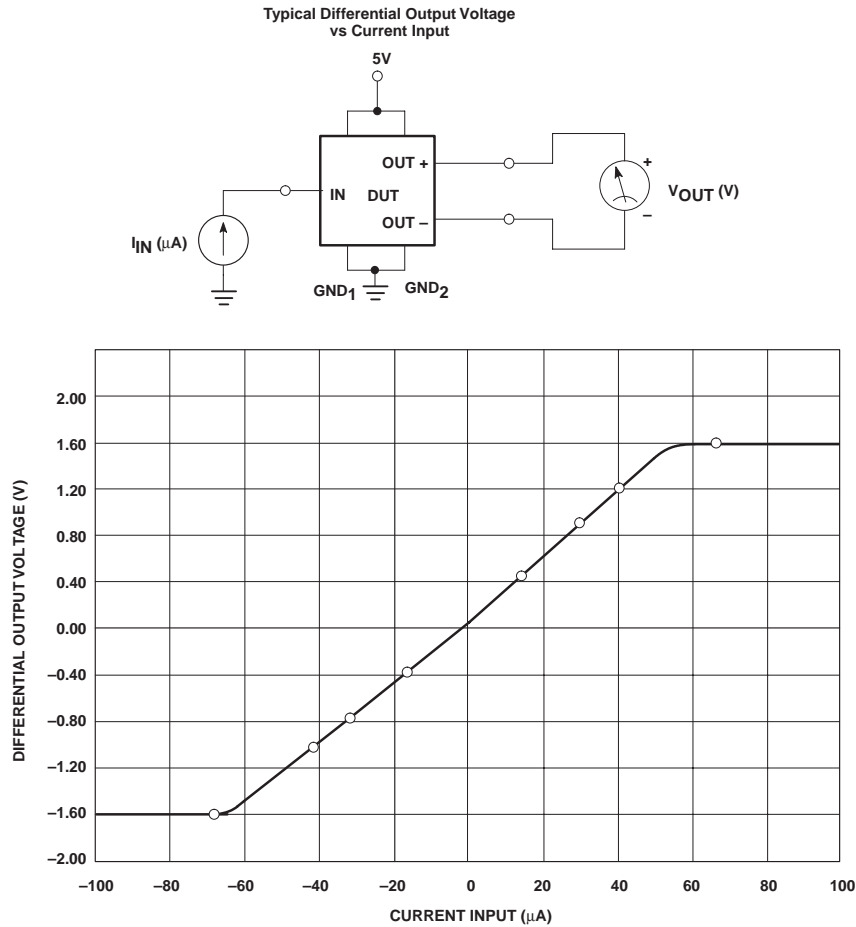


Fig 5. Test circuit 7.



NE5211 TEST CONDITIONS

- Procedure 1 R_T measured at $15\mu A$
 $R_T = (V_{O1} - V_{O2}) / (+15\mu A - (-15\mu A))$
 Where: V_{O1} Measured at $I_{IN} = +15\mu A$
 V_{O2} Measured at $I_{IN} = -15\mu A$
- Procedure 2 Linearity = $1 - \text{ABS}(V_{OA} - V_{OB}) / (V_{O3} - V_{O4})$
 Where: V_{O3} Measured at $I_{IN} = +30\mu A$
 V_{O4} Measured at $I_{IN} = -30\mu A$
 $V_{OA} = R_T \times (+30\mu A) + V_{OB}$
 $V_{OB} = R_T \times (-30\mu A) + V_{OB}$
- Procedure 3 $V_{OMAX} = V_{O7} - V_{O8}$
 Where: V_{O7} Measured at $I_{IN} = +65\mu A$
 V_{O8} Measured at $I_{IN} = -65\mu A$
- Procedure 4 I_{IN} Test Pass Conditions:
 $V_{O7} - V_{O5} > 20mV$ and $V_{O6} - V_{O5} > 50mV$
 Where: V_{O5} Measured at $I_{IN} = +40\mu A$
 V_{O6} Measured at $I_{IN} = -40\mu A$
 V_{O7} Measured at $I_{IN} = +65\mu A$
 V_{O8} Measured at $I_{IN} = -65\mu A$

Test Circuit 8

SD00331

Fig 6. Test circuit 8.

10. Typical performance characteristics

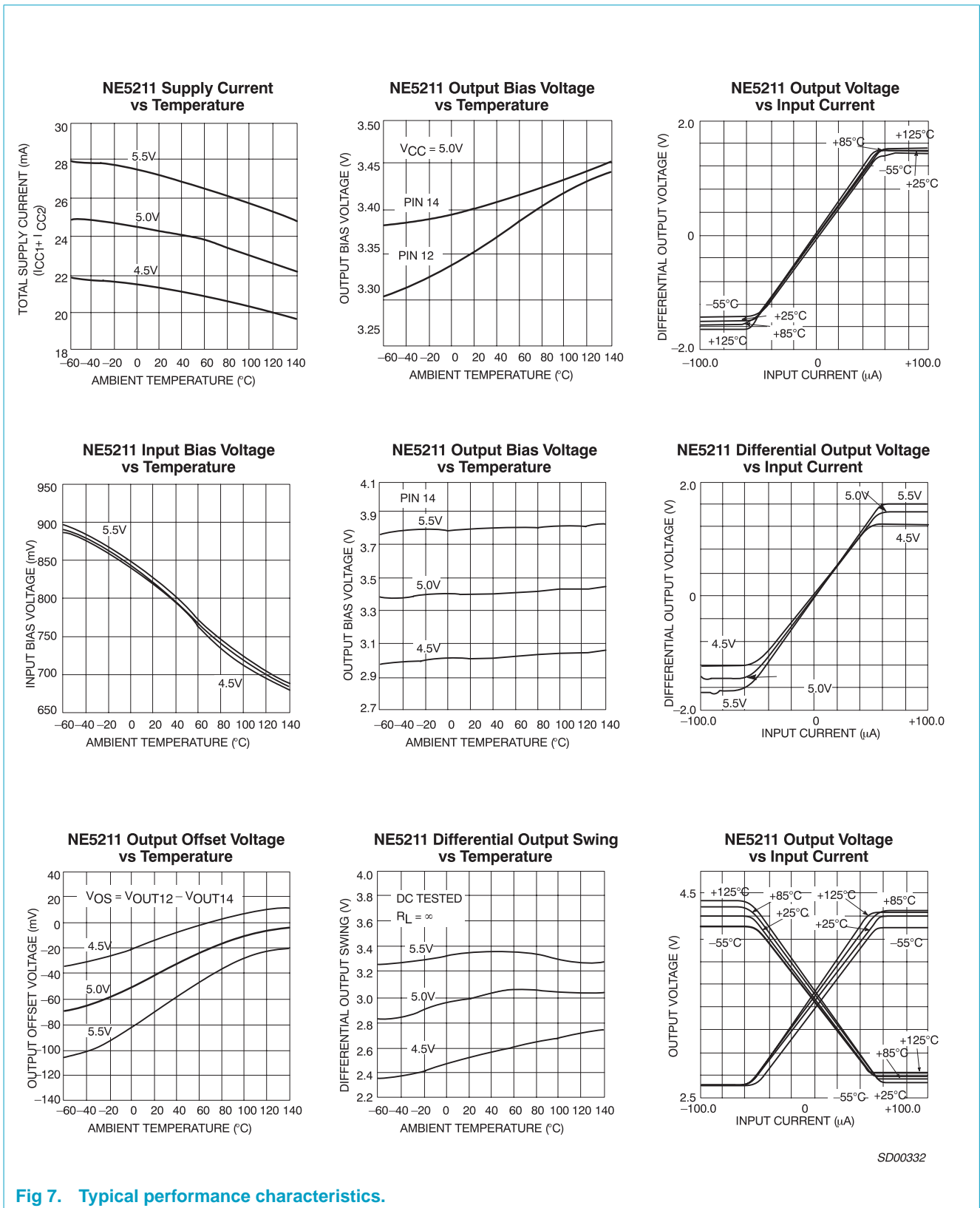
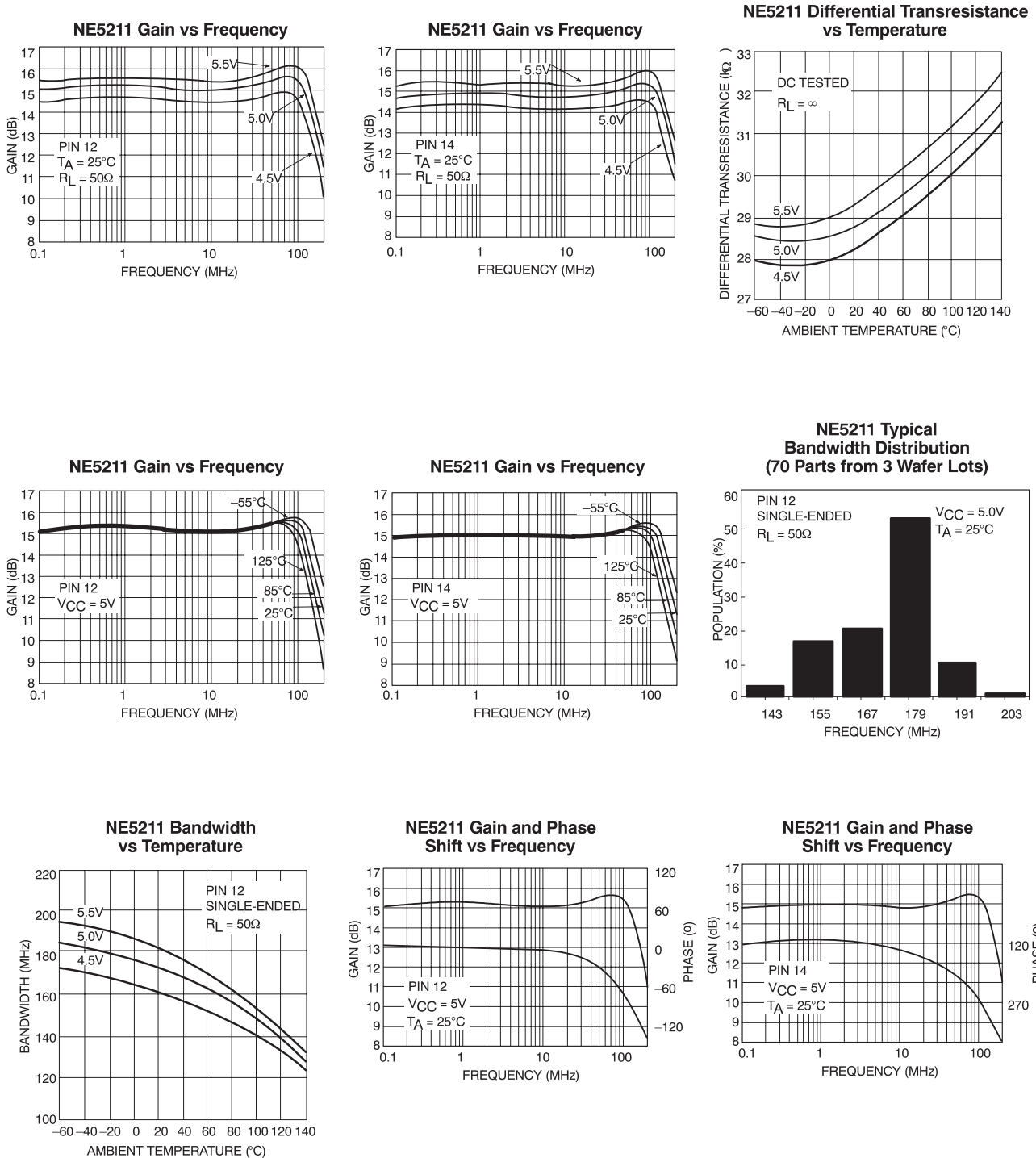
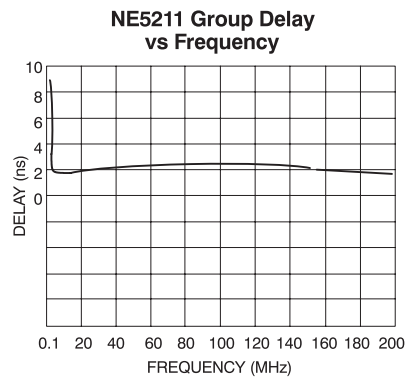
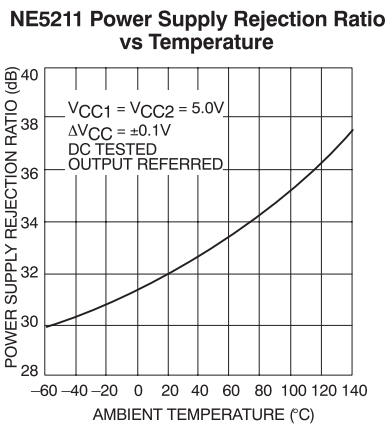
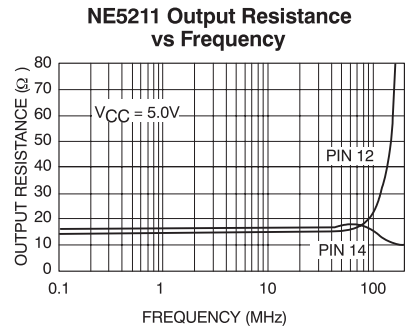
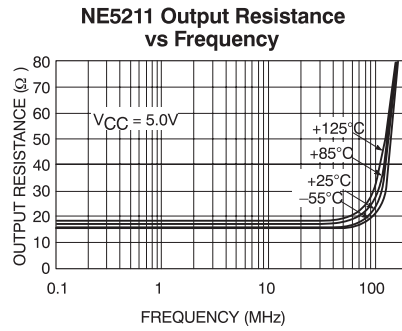
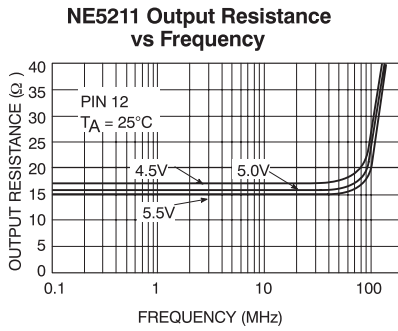
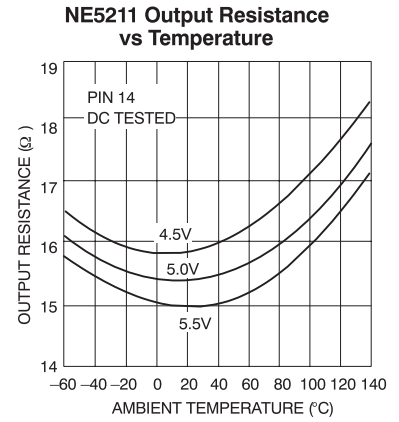
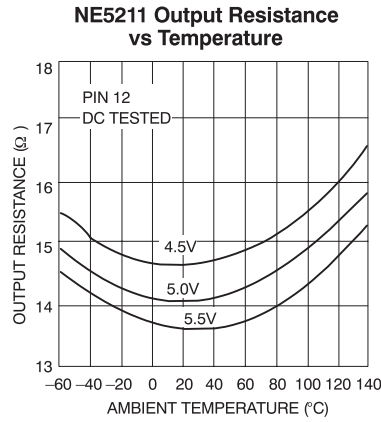
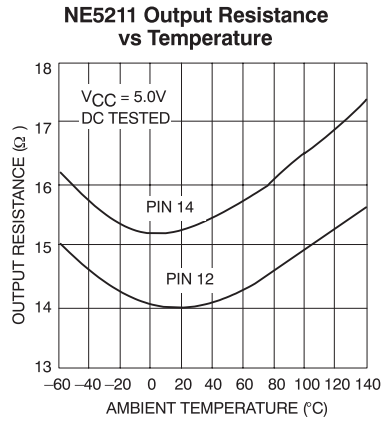


Fig 7. Typical performance characteristics.



SD00333

Fig 8. Typical performance characteristics. (cont.)



SD00335

Fig 9. Typical performance characteristics. (cont.)

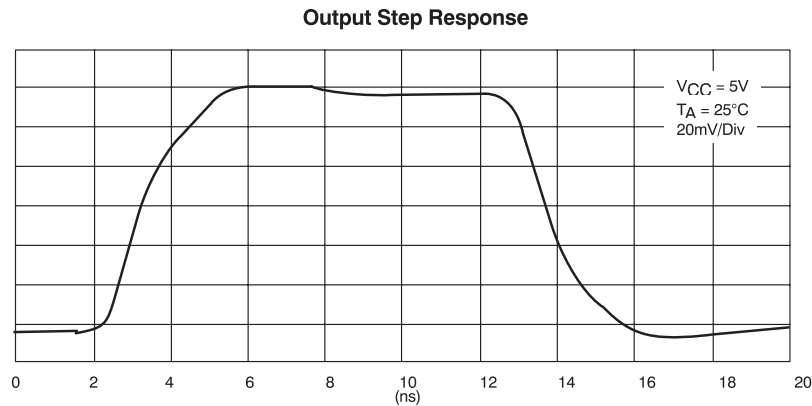


Fig 10. Typical performance characteristics. (cont.)

11. Theory of operation

Transimpedance amplifiers have been widely used as the preamplifier in fiber-optic receivers. The SA5211 is a wide bandwidth (typically 180 MHz) transimpedance amplifier designed primarily for input currents requiring a large dynamic range, such as those produced by a laser diode. The maximum input current before output stage clipping occurs at typically $50\mu A$. The SA5211 is a bipolar transimpedance amplifier which is current driven at the input and generates a differential voltage signal at the outputs. The forward transfer function is therefore a ratio of the differential output voltage to a given input current with the dimensions of ohms. The main feature of this amplifier is a wideband, low-noise input stage which is desensitized to photodiode capacitance variations. When connected to a photodiode of a few picoFarads, the frequency response will not be degraded significantly. Except for the input stage, the entire signal path is differential to provide improved power-supply rejection and ease of interface to ECL type circuitry. A block diagram of the circuit is shown in [Figure 11](#). The input stage (A1) employs shunt-series feedback to stabilize the current gain of the amplifier. The transresistance of the amplifier from the current source to the emitter of Q_3 is approximately the value of the feedback resistor, $R_F = 14.4\text{ k}\Omega$. The gain from the second stage (A2) and emitter followers (A3 and A4) is about two. Therefore, the differential transresistance of the entire amplifier, R_T is

$$R_T = \frac{V_{OUT(diff)}}{I_{IN}} = 2 R_F = 2(14.4\text{ K}) = 28.8\text{ k}\Omega \quad (1)$$

The single-ended transresistance of the amplifier is typically $14.4\text{ k}\Omega$.

The simplified schematic in [Figure 12](#) shows how an input current is converted to a differential output voltage. The amplifier has a single input for current which is referenced to Ground 1. An input current from a laser diode, for example, will be converted into a voltage by the feedback resistor R_F . The transistor Q_1 provides most of the open loop gain of the circuit, $A_{VOL} \approx 70$. The emitter follower Q_2 minimizes loading on Q_1 . The transistor Q_4 , resistor R_7 , and V_{B1} provide level shifting and interface with the $Q_{15} - Q_{16}$ differential pair of the second stage which is biased with an internal reference, V_{B2} . The differential outputs are derived from emitter followers

$Q_{11} - Q_{12}$ which are biased by constant current sources. The collectors of $Q_{11} - Q_{12}$ are bonded to an external pin, V_{CC2} , in order to reduce the feedback to the input stage. The output impedance is about 17Ω single-ended. For ease of performance evaluation, a 33Ω resistor is used in series with each output to match to a 50Ω test system.

12. Bandwidth calculations

The input stage, shown in [Figure 13](#), employs shunt-series feedback to stabilize the current gain of the amplifier. A simplified analysis can determine the performance of the amplifier. The equivalent input capacitance, C_{IN} , in parallel with the source, I_S , is approximately 4 pF (typical), assuming that $C_S = 0$ where C_S is the external source capacitance.

Since the input is driven by a current source the input must have a low input resistance. The input resistance, R_{IN} , is the ratio of the incremental input voltage, V_{IN} , to the corresponding input current, I_{IN} and can be calculated as:

$$R_{IN} = \frac{V_{IN}}{I_{IN}} = \frac{R_F}{1 + A_{VOL}} = \frac{14.4\text{ k}\Omega}{71} = 203\Omega \quad (2)$$

Thus C_{IN} and R_{IN} will form the dominant pole of the entire amplifier;

$$f_{-3\text{db}} = \frac{I}{2\pi R_{IN} C_{IN}} \quad (3)$$

Assuming typical values for $R_F = 14.4\text{ k}\Omega$, $R_{IN} = 200\ \Omega$, $C_{IN} = 4\text{ pF}$

$$f_{-3\text{db}} = \frac{I}{2\pi \cdot 4\text{ pF} \cdot 200\ \Omega} = 200\text{ MHz} \quad (4)$$

The operating point of $Q1$, [Figure 12](#), has been optimized for the lowest current noise without introducing a second dominant pole in the pass-band. All poles associated with subsequent stages have been kept at sufficiently high enough frequencies to yield an overall single pole response. Although wider bandwidths have been achieved by using a cascade input stage configuration, the present solution has the advantage of a very uniform, highly desensitized frequency response because the Miller effect dominates over the external photodiode and stray capacitances. For example, assuming a source capacitance of 1 pF , input stage voltage gain of 70 , $R_{IN} = 60\ \Omega$ then the total input capacitance, $C_{IN} = (1 + 4)\text{ pF}$ which will lead to only a 20% bandwidth reduction.

13. Noise

Most of the currently installed fiber-optic systems use non-coherent transmission and detect incident optical power. Therefore, receiver noise performance becomes very important. The input stage achieves a low input referred noise current (spectral density) of $1.8\text{ pA}/\sqrt{\text{Hz}}$ (typical). The transresistance configuration assures that the external high value bias resistors often required for photodiode biasing will not contribute to the total noise system noise. The equivalent input R_{MS} noise current is

strongly determined by the quiescent current of Q_1 , the feedback resistor R_F , and the bandwidth; however, it is not dependent upon the internal Miller-capacitance. The measured wideband noise was 41 nA RMS in a 200 MHz bandwidth.

14. Dynamic range calculations

The electrical dynamic range can be defined as the ratio of maximum input current to the peak noise current:

Electrical dynamic range, D_E , in a 200 MHz bandwidth assuming $I_{INMAX} = 60 \mu\text{A}$ and a wideband noise of $I_{EQ} = 41 \text{ nA}_{RMS}$ for an external source capacitance of $C_S = 1 \text{ pF}$.

$$D_E = \frac{\text{(Max. input current)}}{\text{(Peak noise current)}} \quad (5)$$

$$D_E \text{ (dB)} = 20 \log \frac{(60 \times 10^{-6})}{(\sqrt{2} 41 10^{-9})} \quad (6)$$

$$D_E \text{ (dB)} = 20 \log \frac{(60 \mu\text{A})}{(58 \text{ nA})} = 60 \text{ dB} \quad (7)$$

In order to calculate the optical dynamic range the incident optical power must be considered.

For a given wavelength λ ;

$$\text{Energy of one Photon} = \frac{hc}{\lambda} \text{ watt sec (Joule)}$$

Where h = Planck's Constant = 6.6×10^{-34} Joule sec.

c = speed of light = 3×10^8 m/sec

c / λ = optical frequency

$$\text{No. of incident photons/sec} = \frac{P}{\frac{hc}{\lambda}} \text{ where } P = \text{optical incident power}$$

$$\text{No. of generated electrons/sec} = \eta \times \frac{P}{\frac{hc}{\lambda}}$$

where η = quantum efficiency

$$= \frac{\text{no. of generated electron hole pairs}}{\text{no. of incident photons}}$$

$$\therefore I = \eta \times \frac{P}{\frac{hc}{\lambda}} \times e \text{ Amps (Coulombs/sec.)}$$

where e = electron charge = 1.6×10^{-19} Coulombs

$$\text{Responsivity } R = \frac{\eta \times e}{\frac{hc}{\lambda}} \text{ Amp/watt}$$

$$I = P \times R$$

Assuming a data rate of 400 Mbaud (Bandwidth, $B = 200$ MHz), the noise parameter Z_n may be calculated as:¹

$$Z = \frac{I_{EQ}}{qB} = \frac{41 \times 10^{-9}}{(1.6 \times 10^{-19})(200 \times 10^6)} = 1281 \quad (8)$$

where Z is the ratio of R_{MS} noise output to the peak response to a single hole-electron pair. Assuming 100% photodetector quantum efficiency, half mark/half space digital transmission, 850nm lightwave and using Gaussian approximation, the minimum required optical power to achieve 10^{-9} BER is:

$$P_{avMIN} = 12 \frac{hc}{\lambda} BZ = 12 \times 2.3 \times 10^{-19} \\ 200 \times 10^6 (1281) = 719 \text{ nW} = -31.5 \text{ dBm} = 1139 \text{ nW} = -29.4 \text{ dBm} \quad (9)$$

where h is Planck's Constant, c is the speed of light, λ is the wavelength. The minimum input current to the SA5211, at this input power is:

$$I_{avMIN} = qP_{avMIN} \frac{\lambda}{hc} \frac{I}{\text{Joule}} \times \frac{\text{Joule}}{\text{sec}} \times q = 1 = \frac{707 \times 10^{-9} \times 1.6 \times 10^{-19}}{2.3 \times 10^{-19}} = 500 \text{ nA} \quad (10)$$

Choosing the maximum peak overload current of $I_{avMAX} = 60 \mu\text{A}$, the maximum mean optical power is:

$$P_{avMAX} = \frac{hcI_{avMAX}}{\lambda q} = \frac{2.3 \times 10^{-19}}{1.6 \times 10^{-19}} 60 \times 10 \mu\text{A} = 86 \mu\text{W} \text{ or } -10.6 \text{ dBm (optical)} \quad (11)$$

Thus the optical dynamic range, D_O is:

$$D_O = P_{avMAX} - P_{avMIN} = -4.6 - (-29.4) = 24.8 \text{ dB}$$

$$D_O = P_{avMAX} - P_{avMIN} = -31.5 - (-10.6) \quad (12)$$

1. S.D. Personick, *Optical Fiber Transmission Systems*, Plenum Press, NY, 1981, Chapter 3.

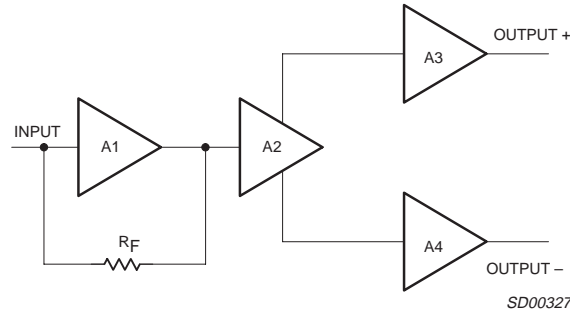


Fig 11. SA5211 – Block diagram.

This represents the maximum limit attainable with the SA5211 operating at 200 MHz bandwidth, with a half mark/half space digital transmission at 850nm wavelength.

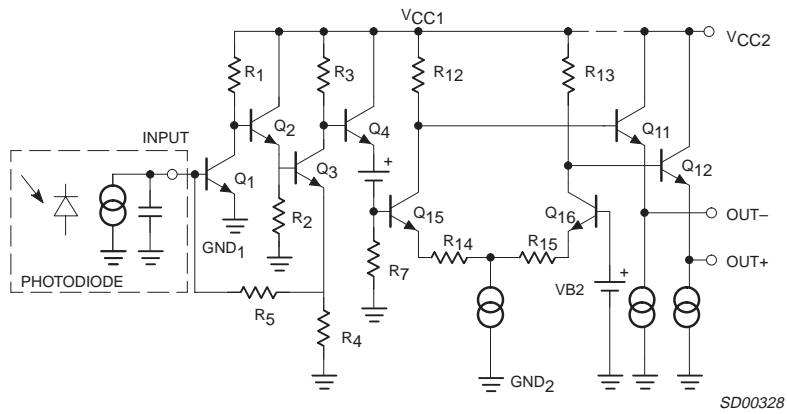


Fig 12. Transimpedance amplifier.

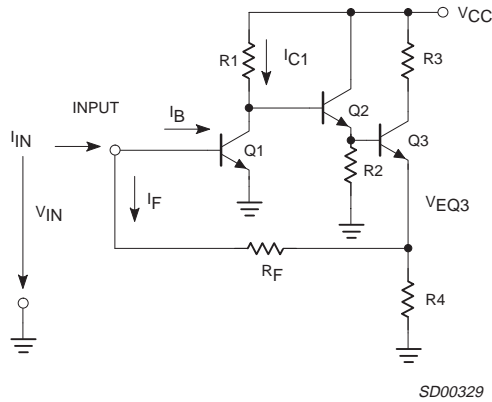


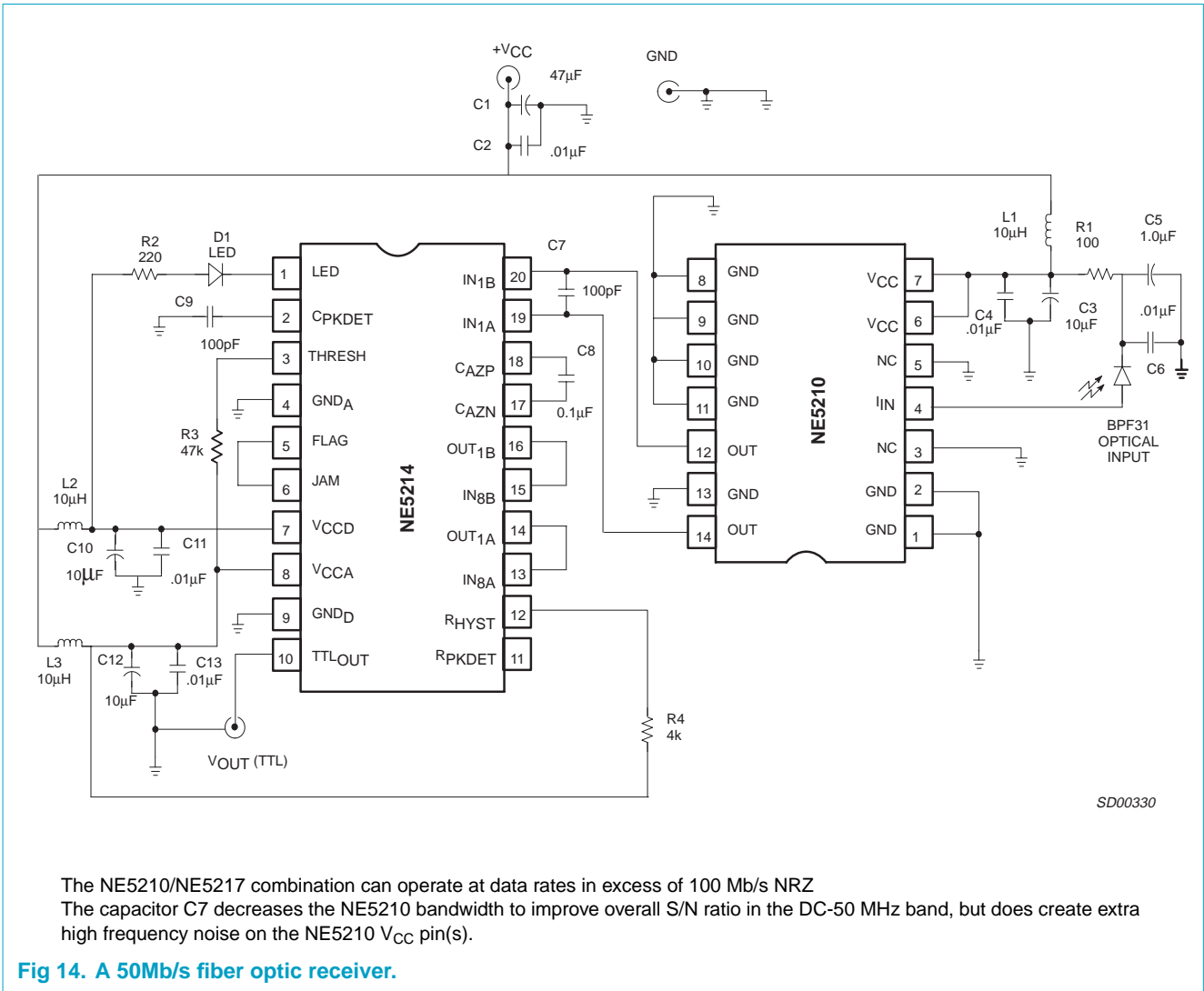
Fig 13. Shunt-series input stage.

15. Application information

Package parasitics, particularly ground lead inductances and parasitic capacitances, can significantly degrade the frequency response. Since the SA5211 has differential outputs which can feed back signals to the input by parasitic package or board layout capacitances, both peaking and attenuating type frequency response shaping is possible. Constructing the board layout so that Ground 1 and Ground 2 have very low impedance paths has produced the best results. This was accomplished by adding a ground-plane stripe underneath the device connecting Ground 1, Pins 8-11, and Ground 2, Pins 1 and 2 on opposite ends of the SO14 package. This ground-plane stripe also provides isolation between the output return currents flowing to either V_{CC2} or Ground 2 and the input photodiode currents flowing to Ground 1. Without this ground-plane stripe and with large lead inductances on the board, the part may be unstable and oscillate near 800 MHz. The easiest way to realize that the part is not functioning normally is to measure the DC voltages at the outputs. If they are not close to their quiescent values of 3.3 V (for a 5 V supply), then the circuit may be oscillating. Input pin layout necessitates that the photodiode be physically very close to the input and Ground 1. Connecting Pins 3 and 5 to Ground 1 will tend to shield the input but it will also tend to increase the capacitance on the input and slightly reduce the bandwidth.

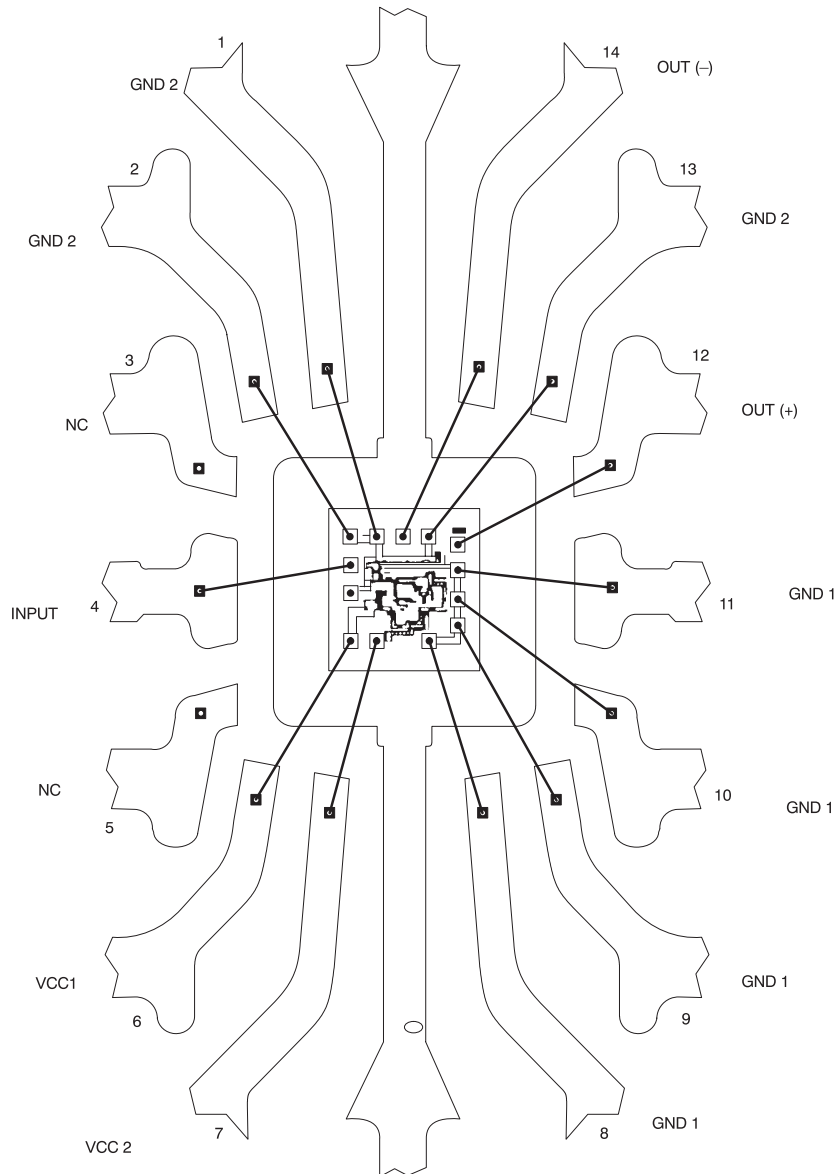
As with any high-frequency device, some precautions must be observed in order to enjoy reliable performance. The first of these is the use of a well-regulated power supply. The supply must be capable of providing varying amounts of current without significantly changing the voltage level. Proper supply bypassing requires that a good quality 0.1 μF high-frequency capacitor be inserted between V_{CC1} and V_{CC2} , preferably a chip capacitor, as close to the package pins as possible. Also, the parallel combination of 0.1 μF capacitors with 10 μF tantalum capacitors from each supply, V_{CC1} and V_{CC2} , to the ground plane should provide adequate decoupling. Some applications may require an RF choke in series with the power supply line. Separate analog and digital ground leads must be maintained and printed circuit board ground plane should be employed whenever possible.

Figure 14 depicts a 50 Mb/s TTL fiber-optic receiver using the BPF31, 850 nm LED, the SA5211 and the SA5214 post amplifier.



The NE5210/NE5217 combination can operate at data rates in excess of 100 Mb/s NRZ
 The capacitor C7 decreases the NE5210 bandwidth to improve overall S/N ratio in the DC-50 MHz band, but does create extra high frequency noise on the NE5210 V_{CC} pin(s).

Fig 14. A 50Mb/s fiber optic receiver.



ECN No.: 06027
1992 Mar 13

SD00488

Fig 15. SA5211 Bonding diagram.

15.1 Die sales disclaimer

Due to the limitations in testing high frequency and other parameters at the die level, and the fact that die electrical characteristics may shift after packaging, die electrical parameters are not specified and die are not guaranteed to meet electrical characteristics (including temperature range) as noted in this data sheet which is intended only to specify electrical characteristics for a packaged device.

All die are 100% functional with various parametrics tested at the wafer level, at room temperature only (25°C), and are guaranteed to be 100% functional as a result of electrical testing to the point of wafer sawing only. Although the most modern

processes are utilized for wafer sawing and die pick and place into waffle pack carriers, it is impossible to guarantee 100% functionality through this process. There is no post waffle pack testing performed on individual die.

Since Philips Semiconductors has no control of third party procedures in the handling or packaging of die, Philips Semiconductors assumes no liability for device functionality or performance of the die or systems on any die sales.

Although Philips Semiconductors typically realizes a yield of 85% after assembling die into their respective packages, with care customers should achieve a similar yield. However, for the reasons stated above, Philips Semiconductors cannot guarantee this or any other yield on any die sales.

16. Package outline

SO14: plastic small outline package; 14 leads; body width 3.9 mm

SOT108-1

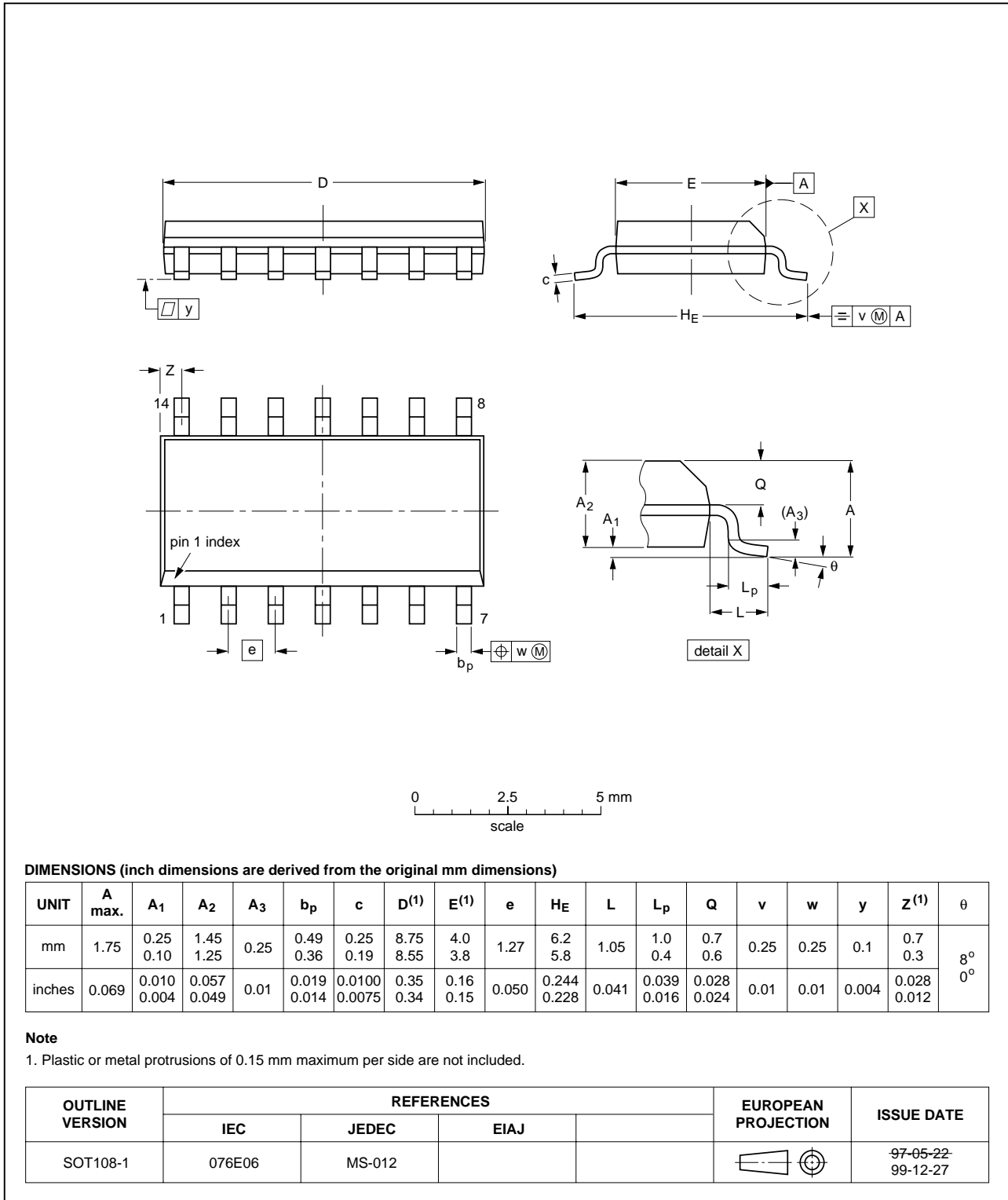


Fig 16. SOT108-1.

17. Soldering

17.1 Introduction to soldering surface mount packages

This text gives a very brief insight to a complex technology. A more in-depth account of soldering ICs can be found in our *Data Handbook IC26; Integrated Circuit Packages* (document order number 9398 652 90011).

There is no soldering method that is ideal for all surface mount IC packages. Wave soldering can still be used for certain surface mount ICs, but it is not suitable for fine pitch SMDs. In these situations reflow soldering is recommended.

17.2 Reflow soldering

Reflow soldering requires solder paste (a suspension of fine solder particles, flux and binding agent) to be applied to the printed-circuit board by screen printing, stencilling or pressure-syringe dispensing before package placement.

Several methods exist for reflowing; for example, convection or convection/infrared heating in a conveyor type oven. Throughput times (preheating, soldering and cooling) vary between 100 and 200 seconds depending on heating method.

Typical reflow peak temperatures range from 215 to 250 °C. The top-surface temperature of the packages should preferably be kept below 220 °C for thick/large packages, and below 235 °C small/thin packages.

17.3 Wave soldering

Conventional single wave soldering is not recommended for surface mount devices (SMDs) or printed-circuit boards with a high component density, as solder bridging and non-wetting can present major problems.

To overcome these problems the double-wave soldering method was specifically developed.

If wave soldering is used the following conditions must be observed for optimal results:

- Use a double-wave soldering method comprising a turbulent wave with high upward pressure followed by a smooth laminar wave.
- For packages with leads on two sides and a pitch (e):
 - larger than or equal to 1.27 mm, the footprint longitudinal axis is **preferred** to be parallel to the transport direction of the printed-circuit board;
 - smaller than 1.27 mm, the footprint longitudinal axis **must** be parallel to the transport direction of the printed-circuit board.

The footprint must incorporate solder thieves at the downstream end.

- For packages with leads on four sides, the footprint must be placed at a 45° angle to the transport direction of the printed-circuit board. The footprint must incorporate solder thieves downstream and at the side corners.

During placement and before soldering, the package must be fixed with a droplet of adhesive. The adhesive can be applied by screen printing, pin transfer or syringe dispensing. The package can be soldered after the adhesive is cured.

Typical dwell time is 4 seconds at 250 °C. A mildly-activated flux will eliminate the need for removal of corrosive residues in most applications.

17.4 Manual soldering

Fix the component by first soldering two diagonally-opposite end leads. Use a low voltage (24 V or less) soldering iron applied to the flat part of the lead. Contact time must be limited to 10 seconds at up to 300 °C.

When using a dedicated tool, all other leads can be soldered in one operation within 2 to 5 seconds between 270 and 320 °C.

17.5 Package related soldering information

Table 6: Suitability of surface mount IC packages for wave and reflow soldering methods

Package	Soldering method	
	Wave	Reflow ^[1]
BGA, HBGA, LFBGA, SQFP, TFBGA	not suitable	suitable
HBCC, HLQFP, HSQFP, HSOP, HTQFP, HTSSOP, HVQFN, SMS	not suitable ^[2]	suitable
PLCC ^[3] , SO, SOJ	suitable	suitable
LQFP, QFP, TQFP	not recommended ^{[3][4]}	suitable
SSOP, TSSOP, VSO	not recommended ^[5]	suitable

- [1] All surface mount (SMD) packages are moisture sensitive. Depending upon the moisture content, the maximum temperature (with respect to time) and body size of the package, there is a risk that internal or external package cracks may occur due to vaporization of the moisture in them (the so called popcorn effect). For details, refer to the Drypack information in the *Data Handbook IC26; Integrated Circuit Packages; Section: Packing Methods*.
- [2] These packages are not suitable for wave soldering as a solder joint between the printed-circuit board and heatsink (at bottom version) can not be achieved, and as solder may stick to the heatsink (on top version).
- [3] If wave soldering is considered, then the package must be placed at a 45° angle to the solder wave direction. The package footprint must incorporate solder thieves downstream and at the side corners.
- [4] Wave soldering is only suitable for LQFP, QFP and TQFP packages with a pitch (e) equal to or larger than 0.8 mm; it is definitely not suitable for packages with a pitch (e) equal to or smaller than 0.65 mm.
- [5] Wave soldering is only suitable for SSOP and TSSOP packages with a pitch (e) equal to or larger than 0.65 mm; it is definitely not suitable for packages with a pitch (e) equal to or smaller than 0.5 mm.

18. Revision history

Table 7: Revision history

Rev	Date	CPCN	Description
03	19981007	853-1799 20142	Product specification; third version; supersedes second version SA5211_2 of 1998 Oct 07 (9397 750 04624). Modifications: The format of this specification has been redesigned to comply with Philips Semiconductors' new presentation and information standard.
02	19981007	853-1799 20142	Product specification; second version; supersedes first version SA5211_1 of 1995 Apr 26. Modifications: Changed prefix from NE to SA.
01	19950426	853-1799 15170	Product specification; initial version.

19. Data sheet status

Data sheet status ^[1]	Product status ^[2]	Definition
Objective data	Development	This data sheet contains data from the objective specification for product development. Philips Semiconductors reserves the right to change the specification in any manner without notice.
Preliminary data	Qualification	This data sheet contains data from the preliminary specification. Supplementary data will be published at a later date. Philips Semiconductors reserves the right to change the specification without notice, in order to improve the design and supply the best possible product.
Product data	Production	This data sheet contains data from the product specification. Philips Semiconductors reserves the right to make changes at any time in order to improve the design, manufacturing and supply. Changes will be communicated according to the Customer Product/Process Change Notification (CPCN) procedure SNW-SQ-650A.

[1] Please consult the most recently issued data sheet before initiating or completing a design.

[2] The product status of the device(s) described in this data sheet may have changed since this data sheet was published. The latest information is available on the Internet at URL <http://www.semiconductors.philips.com>.

20. Definitions

Short-form specification — The data in a short-form specification is extracted from a full data sheet with the same type number and title. For detailed information see the relevant data sheet or data handbook.

Limiting values definition — Limiting values given are in accordance with the Absolute Maximum Rating System (IEC 60134). Stress above one or more of the limiting values may cause permanent damage to the device. These are stress ratings only and operation of the device at these or at any other conditions above those given in the Characteristics sections of the specification is not implied. Exposure to limiting values for extended periods may affect device reliability.

Application information — Applications that are described herein for any of these products are for illustrative purposes only. Philips Semiconductors make no representation or warranty that such applications will be suitable for the specified use without further testing or modification.

21. Disclaimers

Life support — These products are not designed for use in life support appliances, devices, or systems where malfunction of these products can reasonably be expected to result in personal injury. Philips Semiconductors customers using or selling these products for use in such applications do so at their own risk and agree to fully indemnify Philips Semiconductors for any damages resulting from such application.

Right to make changes — Philips Semiconductors reserves the right to make changes, without notice, in the products, including circuits, standard cells, and/or software, described or contained herein in order to improve design and/or performance. Philips Semiconductors assumes no responsibility or liability for the use of any of these products, conveys no licence or title under any patent, copyright, or mask work right to these products, and makes no representations or warranties that these products are free from patent, copyright, or mask work right infringement, unless otherwise specified.

Philips Semiconductors - a worldwide company

Argentina: see South America

Australia: Tel. +61 2 9704 8141, Fax. +61 2 9704 8139

Austria: Tel. +43 160 101, Fax. +43 160 101 1210

Belarus: Tel. +375 17 220 0733, Fax. +375 17 220 0773

Belgium: see The Netherlands

Brazil: see South America

Bulgaria: Tel. +359 268 9211, Fax. +359 268 9102

Canada: Tel. +1 800 234 7381

China/Hong Kong: Tel. +852 2 319 7888, Fax. +852 2 319 7700

Colombia: see South America

Czech Republic: see Austria

Denmark: Tel. +45 3 288 2636, Fax. +45 3 157 0044

Finland: Tel. +358 961 5800, Fax. +358 96 158 0920

France: Tel. +33 1 4728 6600, Fax. +33 1 4728 6638

Germany: Tel. +49 40 23 5360, Fax. +49 402 353 6300

Hungary: Tel. +36 1 382 1700, Fax. +36 1 382 1800

India: Tel. +91 22 493 8541, Fax. +91 22 493 8722

Indonesia: see Singapore

Ireland: Tel. +353 17 64 0000, Fax. +353 17 64 0200

Israel: Tel. +972 36 45 0444, Fax. +972 36 49 1007

Italy: Tel. +39 039 203 6838, Fax. +39 039 203 6800

Japan: Tel. +81 33 740 5130, Fax. +81 3 3740 5057

Korea: Tel. +82 27 09 1412, Fax. +82 27 09 1415

Malaysia: Tel. +60 37 50 5214, Fax. +60 37 57 4880

Mexico: Tel. +9-5 800 234 7381

Middle East: see Italy

For all other countries apply to: Philips Semiconductors,
Marketing Communications,
Building BE, P.O. Box 218, 5600 MD EINDHOVEN,
The Netherlands, Fax. +31 40 272 4825

Netherlands: Tel. +31 40 278 2785, Fax. +31 40 278 8399

New Zealand: Tel. +64 98 49 4160, Fax. +64 98 49 7811

Norway: Tel. +47 22 74 8000, Fax. +47 22 74 8341

Philippines: Tel. +63 28 16 6380, Fax. +63 28 17 3474

Poland: Tel. +48 22 5710 000, Fax. +48 22 5710 001

Portugal: see Spain

Romania: see Italy

Russia: Tel. +7 095 755 6918, Fax. +7 095 755 6919

Singapore: Tel. +65 350 2538, Fax. +65 251 6500

Slovakia: see Austria

Slovenia: see Italy

South Africa: Tel. +27 11 471 5401, Fax. +27 11 471 5398

South America: Tel. +55 11 821 2333, Fax. +55 11 829 1849

Spain: Tel. +34 33 01 6312, Fax. +34 33 01 4107

Sweden: Tel. +46 86 32 2000, Fax. +46 86 32 2745

Switzerland: Tel. +41 14 88 2686, Fax. +41 14 81 7730

Taiwan: Tel. +886 22 134 2451, Fax. +886 22 134 2874

Thailand: Tel. +66 23 61 7910, Fax. +66 23 98 3447

Turkey: Tel. +90 216 522 1500, Fax. +90 216 522 1813

Ukraine: Tel. +380 44 264 2776, Fax. +380 44 268 0461

United Kingdom: Tel. +44 208 730 5000, Fax. +44 208 754 8421

United States: Tel. +1 800 234 7381

Uruguay: see South America

Vietnam: see Singapore

Yugoslavia: Tel. +381 11 3341 299, Fax. +381 11 3342 553

Internet: <http://www.semiconductors.philips.com>

(SCA72)

Contents

1	Description	1
2	Features	1
3	Applications	1
4	Pinning information	2
4.1	Pinning	2
5	Ordering information	2
6	Limiting values	2
7	Static characteristics	3
8	Dynamic characteristics	3
9	Test circuits	5
10	Typical performance characteristics	10
11	Theory of operation	13
12	Bandwidth calculations	14
13	Noise	14
14	Dynamic range calculations	15
15	Application information	18
15.1	Die sales disclaimer	20
16	Package outline	22
17	Soldering	23
17.1	Introduction to soldering surface mount packages	23
17.2	Reflow soldering	23
17.3	Wave soldering	23
17.4	Manual soldering	24
17.5	Package related soldering information	24
18	Revision history	25
19	Data sheet status	26
20	Definitions	26
21	Disclaimers	26



PHILIPS

Let's make things better.

This datasheet has been download from:

www.datasheetcatalog.com

Datasheets for electronics components.