

阅读申明

- 1.本站收集的数据手册和产品资料都来自互联网，版权归原作者所有。如读者和版权方有任何异议请及时告之，我们将妥善解决。
- 2.本站提供的中文数据手册是英文数据手册的中文翻译，其目的是协助用户阅读，该译文无法自动跟随原稿更新，同时也可能存在翻译上的不当。建议读者以英文原稿为参考以便获得更精准的信息。
- 3.本站提供的产品资料，来自厂商的技术支持或者使用者的心得体会等，其内容可能存在描述上的差异，建议读者做出适当判断。
- 4.如需与我们联系，请发邮件到marketing@iczoom.com，主题请标有“数据手册”字样。

Read Statement

1. The datasheets and other product information on the site are all from network reference or other public materials, and the copyright belongs to the original author and original published source. If readers and copyright owners have any objections, please contact us and we will deal with it in a timely manner.
2. The Chinese datasheets provided on the website is a Chinese translation of the English datasheets. Its purpose is for reader's learning exchange only and do not involve commercial purposes. The translation cannot be automatically updated with the original manuscript, and there may also be improper translations. Readers are advised to use the English manuscript as a reference for more accurate information.
3. All product information provided on the website refer to solutions from manufacturers' technical support or users the contents may have differences in description, and readers are advised to take the original article as the standard.
4. If you have any questions, please contact us at marketing@iczoom.com and mark the subject with "Datasheets" .



**TECHWELL
SECURITY**



Security Surveillance IC Solutions

Target Applications

- Embedded DVR
- Video Server
- DVR PCI Card

TW2865

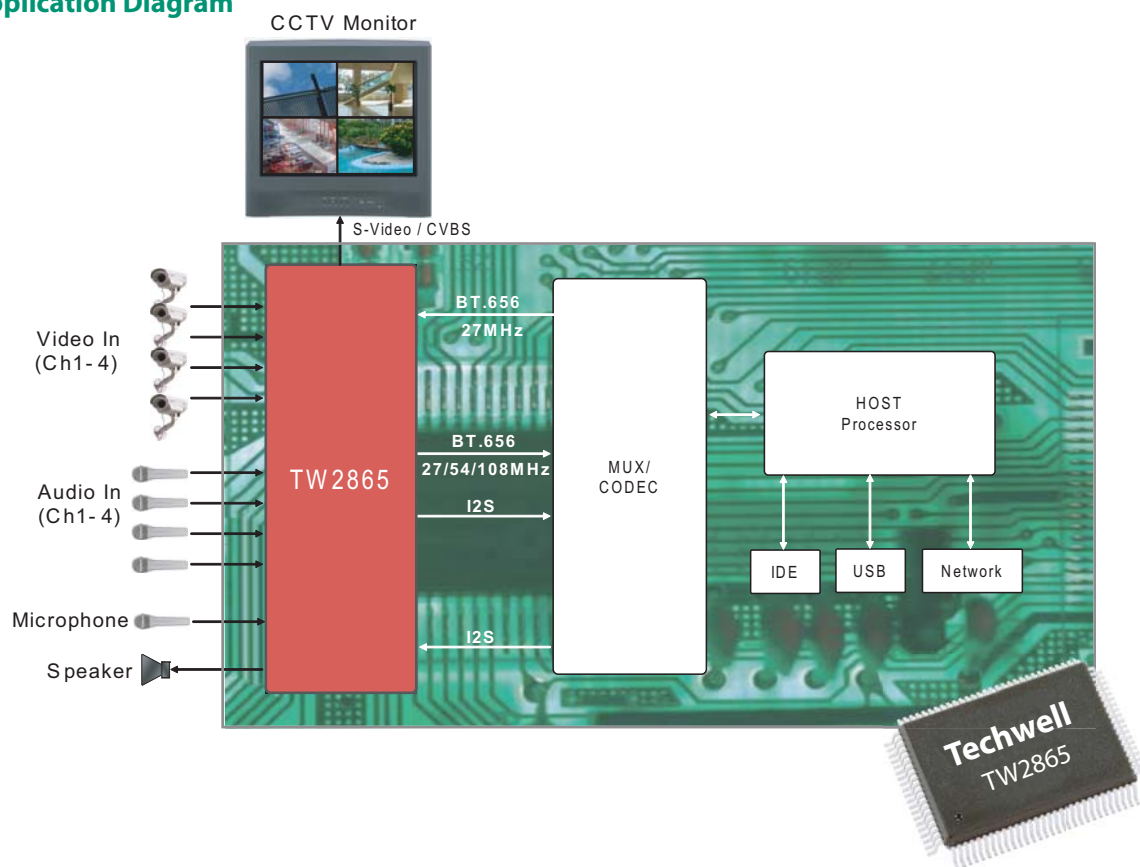
4-Channel Video Decoder and Audio Codec plus
Video Encoder for Security Applications

The TW2865 is a 4-in-1 video decoder and audio codec plus video encoder for security surveillance applications. The device includes four high quality NTSC/PAL/SECAM video decoders that convert analog composite video signal to digital component YCbCr data. Each channel contains a 10-bit ADC and proprietary clamp/gain controller and utilizes 4H comb filter for separating luminance & chrominance to reduce cross noise artifacts. The TW2865 adopts image enhancement techniques such as IF compensation filter, CTI and programmable peaking. In addition, TW2865 includes one NTSC/PAL video encoder with two 10-bit DACs to support CVBS and YC output. The TW2865 also includes an audio codec which has five audio ADCs and one DAC. A built-in audio controller can generate digital outputs for recording/mixing and accepts digital input for playback.

New Features

- Integrated one video encoder and two 10-bit video CMOS DACs
- Proprietary fast video locking system for non-realtime application
- Integrated five audio ADCs and one audio DAC
- Low power consumption

Typical Application Diagram



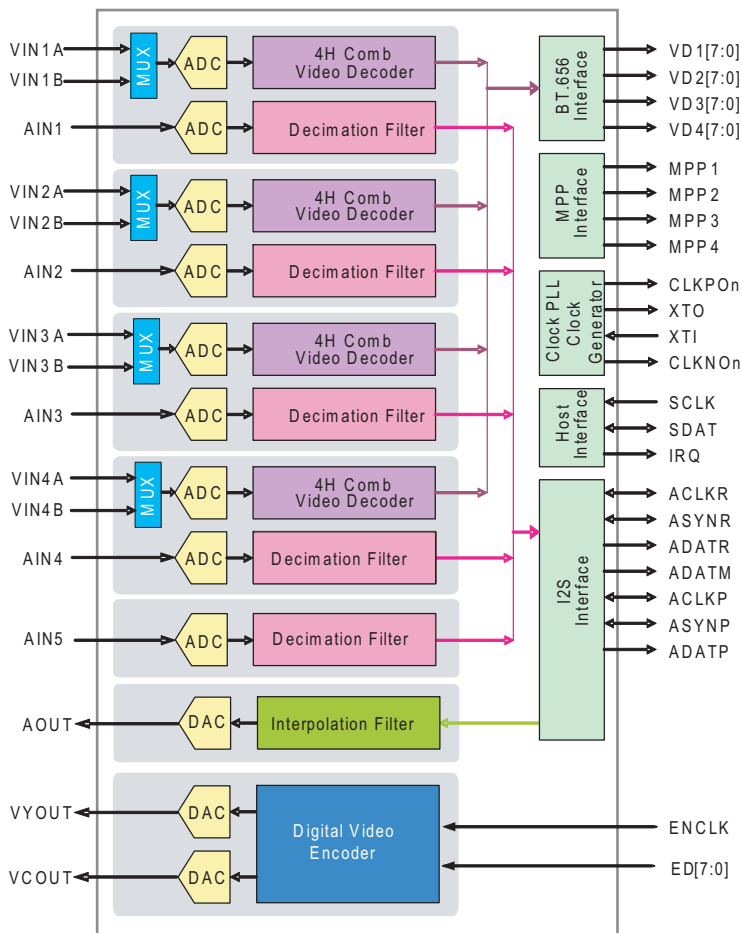
TW2865

4-Channel Video Decoder and Audio Codec plus Video Encoder for Security Applications

Video Decoders

- Accepts all NTSC(M/4.43) / PAL(B/D/G/H/I/K/L/M/N/60)/SECAM standards with auto detection
- Integrated four video analog anti-aliasing filters and 10-bit ADCs
- High performance adaptive 4H comb filters for all NTSC/PAL standards
- IF compensation filter for improvement of color demodulation
- Color Transient Improvement (CTI) and automatic white peak control
- Programmable hue, saturation, contrast, brightness and sharpness
- Proprietary fast video locking system for non-realtime application
- Supports the standard ITU-R BT.656 format or time multiplexed output with 54/108MHz.
- Provides simultaneous four channel Full D1 and CIF time-multiplexed outputs with 54MHz

TW2865 Block Diagram



Audio Codecs

- Integrated five audio ADCs and one audio DAC
- Provides multi-channel audio mixed analog output
- Supports I2S/DSP Master/Slave interface for record output and playback input
- PCM 8/16 bit and u-Law/A-Law 8bit for audio word length
- Programmable audio sample rate that covers popular frequencies of 8/16/32/44.1/48kHz

Order Information

- Part Number: TW2865
- Package: 128 pin LQFP

Video Encoder

- NTSC/PAL Video Encoder
- CVBS and S-video Support

Other Features

- 2x/4x analog clock PLL for 108MHz clock output
- Supports a two-wire serial host interface
- 1.8V Supply
- Low power consumption