

## 阅读申明

- 1.本站收集的数据手册和产品资料都来自互联网，版权归原作者所有。如读者和版权方有任何异议请及时告之，我们将妥善解决。
- 2.本站提供的中文数据手册是英文数据手册的中文翻译，其目的是协助用户阅读，该译文无法自动跟随原稿更新，同时也可能存在翻译上的不当。建议读者以英文原稿为参考以便获得更精准的信息。
- 3.本站提供的产品资料，来自厂商的技术支持或者使用者的心得体会等，其内容可能存在描述上的差异，建议读者做出适当判断。
- 4.如需与我们联系，请发邮件到marketing@iczoom.com，主题请标有“数据手册”字样。

## Read Statement

1. The datasheets and other product information on the site are all from network reference or other public materials, and the copyright belongs to the original author and original published source. If readers and copyright owners have any objections, please contact us and we will deal with it in a timely manner.
2. The Chinese datasheets provided on the website is a Chinese translation of the English datasheets. Its purpose is for reader's learning exchange only and do not involve commercial purposes. The translation cannot be automatically updated with the original manuscript, and there may also be improper translations. Readers are advised to use the English manuscript as a reference for more accurate information.
3. All product information provided on the website refer to solutions from manufacturers' technical support or users the contents may have differences in description, and readers are advised to take the original article as the standard.
4. If you have any questions, please contact us at marketing@iczoom.com and mark the subject with "Datasheets" .

TOSHIBA CMOS Digital Integrated Circuit Silicon Monolithic

## TC74AC245P, TC74AC245F, TC74AC245FW, TC74AC245FT TC74AC640P, TC74AC640F, TC74AC640FW, TC74AC640FT

### Octal Bus Transceiver

TC74AC245P/F/FW/FT 3-State, Non-Inverting

TC74AC640P/F/FW/FT 3-State, Inverting

The TC74AC245, 640 are advanced high speed CMOS OCTAL BUS TRANSCEIVERS fabricated with silicon gate and double-layer metal wiring C<sup>2</sup>MOS technology.

They achieve the high speed operation similar to equivalent Bipolar Schottky TTL while maintaining the CMOS low power dissipation.

They are intended for two-way asynchronous communication between data busses. The direction of data transmission is determined by the level of the DIR input.

The enable input ( $\bar{G}$ ) can be used to disable the device so that the busses are effectively isolated.

All inputs are equipped with protection circuits against static discharge or transient excess voltage.

### Features (Note 1)(Note 2)

- High speed:  $t_{pd} = 3.9 \text{ ns (typ.)}$  at  $V_{CC} = 5 \text{ V}$
- Low power dissipation:  $I_{CC} = 8 \mu\text{A (max)}$  at  $T_a = 25^\circ\text{C}$
- High noise immunity:  $V_{NIH} = V_{NIL} = 28\% V_{CC} \text{ (min)}$
- Symmetrical output impedance:  
 $|I_{OH}| = |I_{OL}| = 24 \text{ mA (min)}$   
Capability of driving  $50 \Omega$  transmission lines.
- Balanced propagation delays:  $t_{pLH} \approx t_{pHL}$
- Wide operating voltage range:  $V_{CC} \text{ (opr)} = 2 \text{ V to } 5.5 \text{ V}$
- Pin and function compatible with 74F245/640

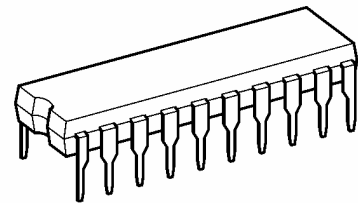
Note 1: Do not apply a signal to any bus terminal when it is in the output mode. Damage may result.

Note 2: All floating (high impedance) bus terminals must have their input levels fixed by means of pull up or pull down resistors.

| Weight               |                 |
|----------------------|-----------------|
| DIP20-P-300-2.54A    | : 1.30 g (typ.) |
| SOP20-P-300-1.27A    | : 0.22 g (typ.) |
| SOP20-P-300-1.27     | : 0.22 g (typ.) |
| SOL20-P-300-1.27     | : 0.46 g (typ.) |
| TSSOP20-P-0044-0.65A | : 0.08 g (typ.) |

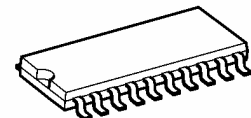
Note: xxxFW (JEDEC SOP) is not available in Japan.

TC74AC245P, TC74AC640P

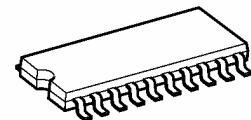


DIP20-P-300-2.54A

TC74AC245F, TC74AC640F

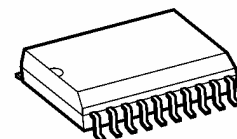


SOP20-P-300-1.27A



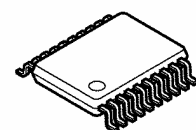
SOP20-P-300-1.27

TC74AC245FW, TC74AC640FW



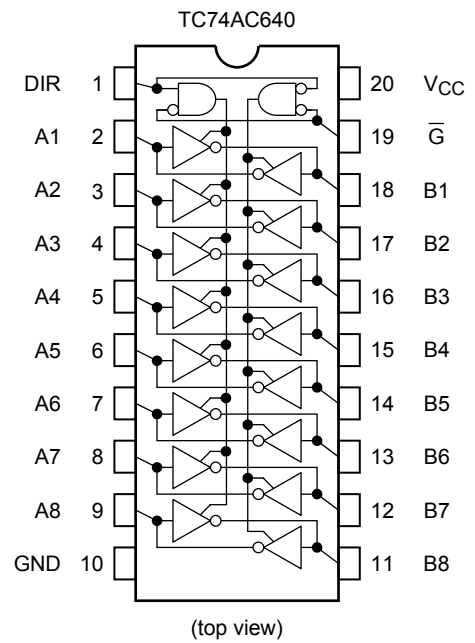
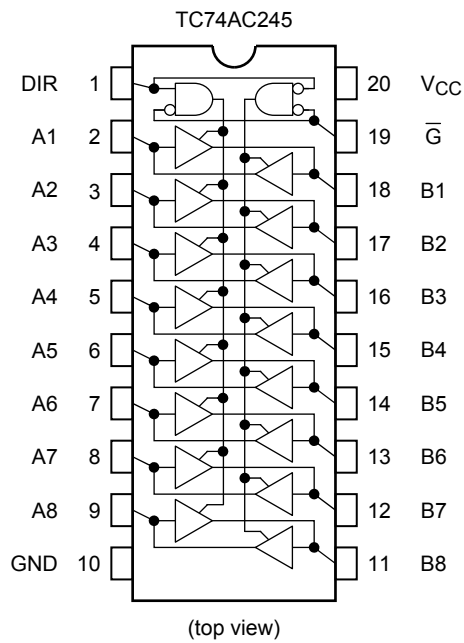
SOL20-P-300-1.27

TC74AC245FT, TC74AC640FT

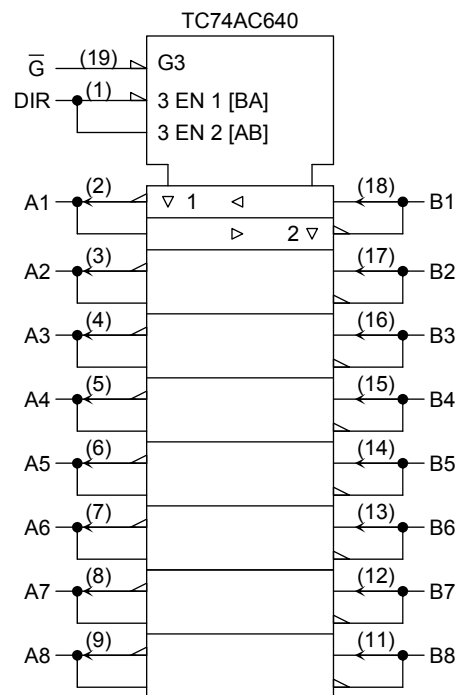
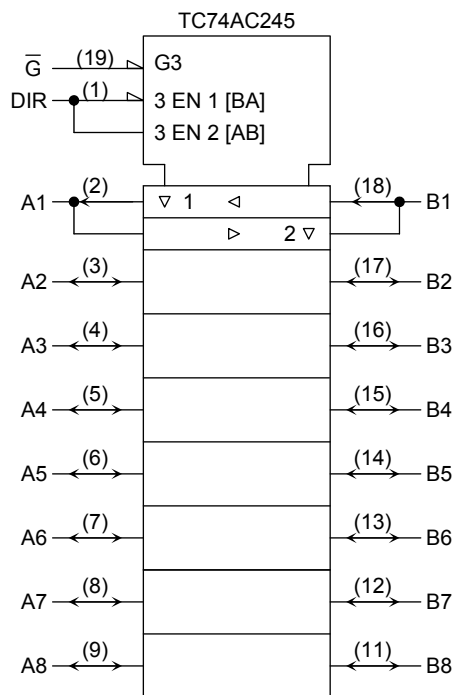


TSSOP20-P-0044-0.65A

## Pin Assignment



## IEC Logic Symbol



## Truth Table

| Inputs    |     | Function |        | Outputs |               |
|-----------|-----|----------|--------|---------|---------------|
| $\bar{G}$ | DIR | A Bus    | B Bus  | AC245   | AC640         |
| L         | L   | Output   | Input  | A = B   | A = $\bar{B}$ |
| L         | H   | Input    | Output | B = A   | B = $\bar{A}$ |
| H         | X   | Z        |        | Z       | Z             |

X: Don't care

Z: High impedance

## Absolute Maximum Ratings (Note 1)

| Characteristics             | Symbol    | Rating                             | Unit        |
|-----------------------------|-----------|------------------------------------|-------------|
| Supply voltage range        | $V_{CC}$  | -0.5 to 7.0                        | V           |
| DC input voltage            | $V_{IN}$  | -0.5 to $V_{CC} + 0.5$             | V           |
| DC output voltage           | $V_{OUT}$ | -0.5 to $V_{CC} + 0.5$             | V           |
| Input diode current         | $I_{IK}$  | $\pm 20$                           | mA          |
| Output diode current        | $I_{OK}$  | $\pm 50$                           | mA          |
| DC output current           | $I_{OUT}$ | $\pm 50$                           | mA          |
| DC $V_{CC}$ /ground current | $I_{CC}$  | $\pm 200$                          | mA          |
| Power dissipation           | $P_D$     | 500 (DIP) (Note 2)/180 (SOP/TSSOP) | mW          |
| Storage temperature         | $T_{stg}$ | -65 to 150                         | $^{\circ}C$ |

Note1: Exceeding any of the absolute maximum ratings, even briefly, lead to deterioration in IC performance or even destruction.

Note2: 500 mW in the range of  $T_a = -40^{\circ}C$  to  $65^{\circ}C$ . From  $T_a = 65^{\circ}C$  to  $85^{\circ}C$  a derating factor of  $-10 \text{ mW}/^{\circ}C$  should be applied up to 300 mW.

## Operating Range (Note)

| Characteristics          | Symbol    | Rating  | Unit        |
|--------------------------|-----------|---|-------------|
| Supply voltage           | $V_{CC}$  | 2.0 to 5.5  | V           |
| Input voltage            | $V_{IN}$  | 0 to $V_{CC}$   | V           |
| Output voltage           | $V_{OUT}$ | 0 to $V_{CC}$   | V           |
| Operating temperature    | $T_{opr}$ | -40 to 85   | $^{\circ}C$ |
| Input rise and fall time | dt/dV     | 0 to 100 ( $V_{CC} = 3.3 \pm 0.3 \text{ V}$ )<br>0 to 20 ( $V_{CC} = 5 \pm 0.5 \text{ V}$ ) | ns/V        |

Note: The operating range is required to ensure the normal operation of the device. Unused inputs and bus inputs must be tied to either  $V_{CC}$  or GND. Please connect both bus inputs and the bus outputs with  $V_{CC}$  or GND when the I/O of the bus terminal changes by the function. In this case, please note that the output is not short-circuited.

## Electrical Characteristics

### DC Characteristics

| Characteristics                  | Symbol          | Test Condition  |                          | Ta = 25°C           |      |      | Ta = -40 to 85°C |      | Unit |     |
|----------------------------------|-----------------|---|--------------------------|---------------------|------|------|------------------|------|------|-----|
|                                  |                 |   |                          | V <sub>CC</sub> (V) | Min  | Typ. | Max              | Min  |      | Max |
| High-level input voltage         | V <sub>IH</sub> | —   |                          | 2.0                 | 1.50 | —    | —                | 1.50 | —    | V   |
|                                  |                 |   |                          | 3.0                 | 2.10 | —    | —                | 2.10 | —    |     |
|                                  |                 |   |                          | 5.5                 | 3.85 | —    | —                | 3.85 | —    |     |
| Low-level input voltage          | V <sub>IL</sub> | —   |                          | 2.0                 | —    | —    | 0.50             | —    | 0.50 | V   |
|                                  |                 |   |                          | 3.0                 | —    | —    | 0.90             | —    | 0.90 |     |
|                                  |                 |   |                          | 5.5                 | —    | —    | 1.65             | —    | 1.65 |     |
| High-level output voltage        | V <sub>OH</sub> | V <sub>IN</sub> = V <sub>IH</sub> or V <sub>IL</sub>  | I <sub>OH</sub> = -50 μA | 2.0                 | 1.9  | 2.0  | —                | 1.9  | —    | V   |
|                                  |                 |   |                          | 3.0                 | 2.9  | 3.0  | —                | 2.9  | —    |     |
|                                  |                 |   | I <sub>OH</sub> = -4 mA  | 3.0                 | 2.58 | —    | —                | 2.48 | —    |     |
|                                  |                 |   | I <sub>OH</sub> = -24 mA | 4.5                 | 3.94 | —    | —                | 3.80 | —    |     |
|                                  |                 | I <sub>OH</sub> = -75 mA (Note)   | 5.5                      | —                   | —    | —    | 3.85             | —    |      |     |
| Low-level output voltage         | V <sub>OL</sub> | V <sub>IN</sub> = V <sub>IH</sub> or V <sub>IL</sub>  | I <sub>OL</sub> = 50 μA  | 2.0                 | —    | 0.0  | 0.1              | —    | 0.1  | V   |
|                                  |                 |   |                          | 3.0                 | —    | 0.0  | 0.1              | —    | 0.1  |     |
|                                  |                 |   |                          | 4.5                 | —    | 0.0  | 0.1              | —    | 0.1  |     |
|                                  |                 |   | I <sub>OL</sub> = 12 mA  | 3.0                 | —    | —    | 0.36             | —    | 0.44 |     |
|                                  |                 |   | I <sub>OL</sub> = 24 mA  | 4.5                 | —    | —    | 0.36             | —    | 0.44 |     |
|                                  |                 | I <sub>OL</sub> = 75 mA (Note)  | 5.5                      | —                   | —    | —    | —                | 1.65 |      |     |
| 3-state output off-state current | I <sub>OZ</sub> | V <sub>IN</sub> = V <sub>IH</sub> or V <sub>IL</sub><br>V <sub>OUT</sub> = V <sub>CC</sub> or GND | 5.5                      | —                   | —    | ±0.5 | —                | ±5.0 | μA   |     |
| Input leakage current            | I <sub>IN</sub> | V <sub>IN</sub> = V <sub>CC</sub> or GND  | 5.5                      | —                   | —    | ±0.1 | —                | ±1.0 | μA   |     |
| Quiescent supply current         | I <sub>CC</sub> | V <sub>IN</sub> = V <sub>CC</sub> or GND  | 5.5                      | —                   | —    | 8.0  | —                | 80.0 | μA   |     |

Note: This spec indicates the capability of driving 50 Ω transmission lines.

One output should be tested at a time for a 10 ms maximum duration.

## AC Characteristics ( $C_L = 50 \text{ pF}$ , $R_L = 500 \Omega$ , input: $t_r = t_f = 3 \text{ ns}$ )

| Characteristics                           | Symbol           | Test Condition                  | Ta = 25°C           |     |      | Ta = -40 to 85°C |     | Unit |     |
|---|------------------|---------------------------------|---------------------|-----|------|------------------|-----|------|-----|
|   |                  |                                 | V <sub>CC</sub> (V) | Min | Typ. | Max              | Min |      | Max |
| Propagation delay time<br>(Note 2)        | t <sub>pLH</sub> | —                               | 3.3 ± 0.3           | —   | 7.0  | 10.9             | 1.0 | 12.4 | ns  |
|   | t <sub>pHL</sub> | —                               | 5.0 ± 0.5           | —   | 5.0  | 7.5              | 1.0 | 8.5  |     |
| Propagation delay time<br>(Note 3)        | t <sub>pLH</sub> | —                               | 3.3 ± 0.3           | —   | 6.4  | 10.0             | 1.0 | 11.4 | ns  |
|   | t <sub>pHL</sub> | —                               | 5.0 ± 0.5           | —   | 4.8  | 7.0              | 1.0 | 8.0  |     |
| Output enable time                        | t <sub>pZL</sub> | —                               | 3.3 ± 0.3           | —   | 9.3  | 15.3             | 1.0 | 17.4 | ns  |
|   | t <sub>pZH</sub> | —                               | 5.0 ± 0.5           | —   | 7.1  | 10.5             | 1.0 | 12.0 |     |
| Output disable time                       | t <sub>pLZ</sub> | —                               | 3.3 ± 0.3           | —   | 7.1  | 11.4             | 1.0 | 13.0 | ns  |
|   | t <sub>pHZ</sub> | —                               | 5.0 ± 0.5           | —   | 5.9  | 8.7              | 1.0 | 10.0 |     |
| Input capacitance                         | C <sub>IN</sub>  | DIR, $\bar{G}$                  | —                   | 5   | 10   | —                | 10  | pF   |     |
| Bus input capacitance                     | C <sub>I/O</sub> | A <sub>n</sub> , B <sub>n</sub> | —                   | 13  | —    | —                | —   | pF   |     |
| Power dissipation capacitance<br>(Note 1) | C <sub>PD</sub>  | TC74AC245                       | —                   | 38  | —    | —                | —   | pF   |     |
|   |                  | TC74AC640                       | —                   | 36  | —    | —                | —   |      |     |

Note 1: C<sub>PD</sub> is defined as the value of the internal equivalent capacitance which is calculated from the operating current consumption without load.

Average operating current can be obtained by the equation:

$$I_{CC (opr)} = C_{PD} \cdot V_{CC} \cdot f_{IN} \cdot I_{CC} / 8 \text{ (per bit)}$$

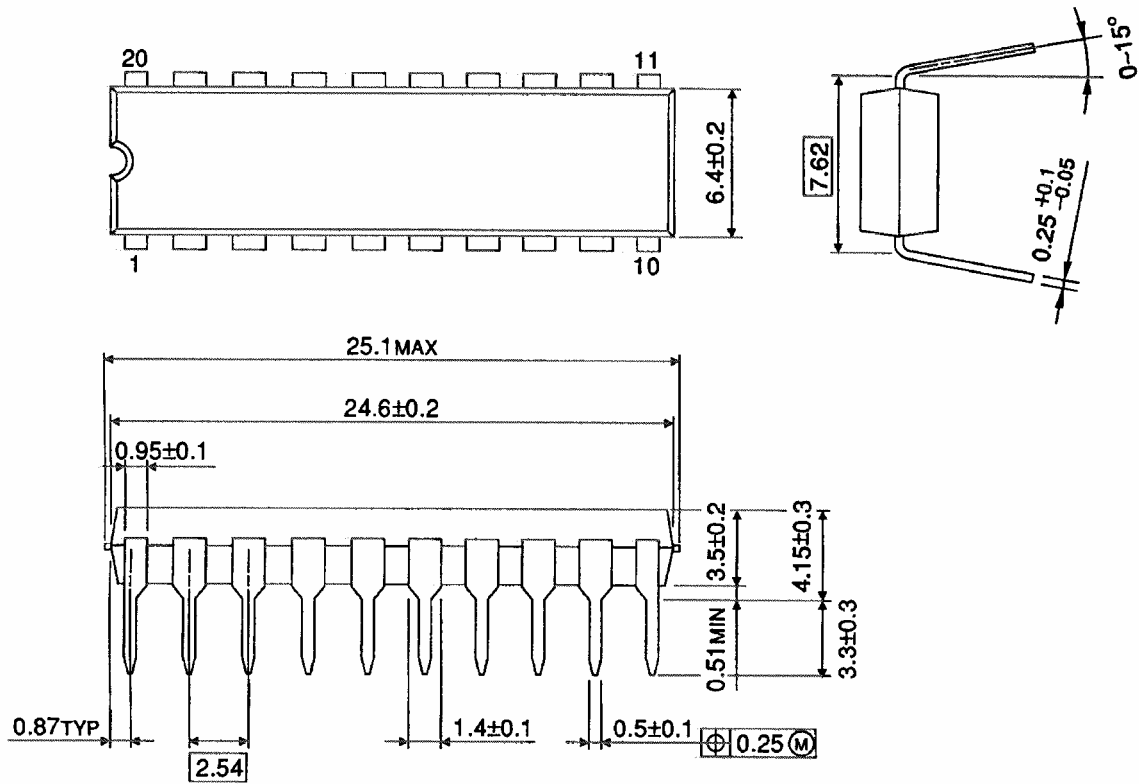
Note 2: For TC74AC245 only

Note 3: For TC74AC640 only

## Package Dimensions

DIP20-P-300-2.54A

Unit : mm

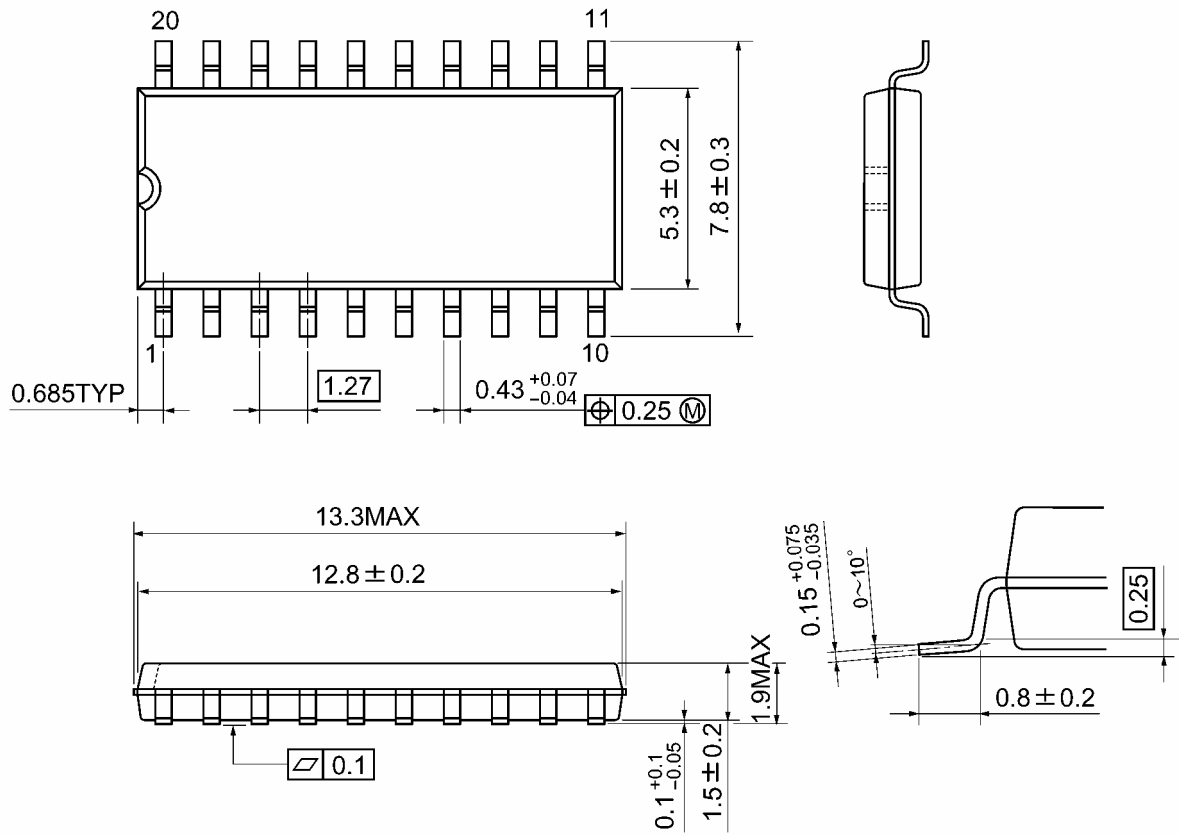


Weight: 1.30 g (typ.)

**Package Dimensions**

SOP20-P-300-1.27A

Unit: mm



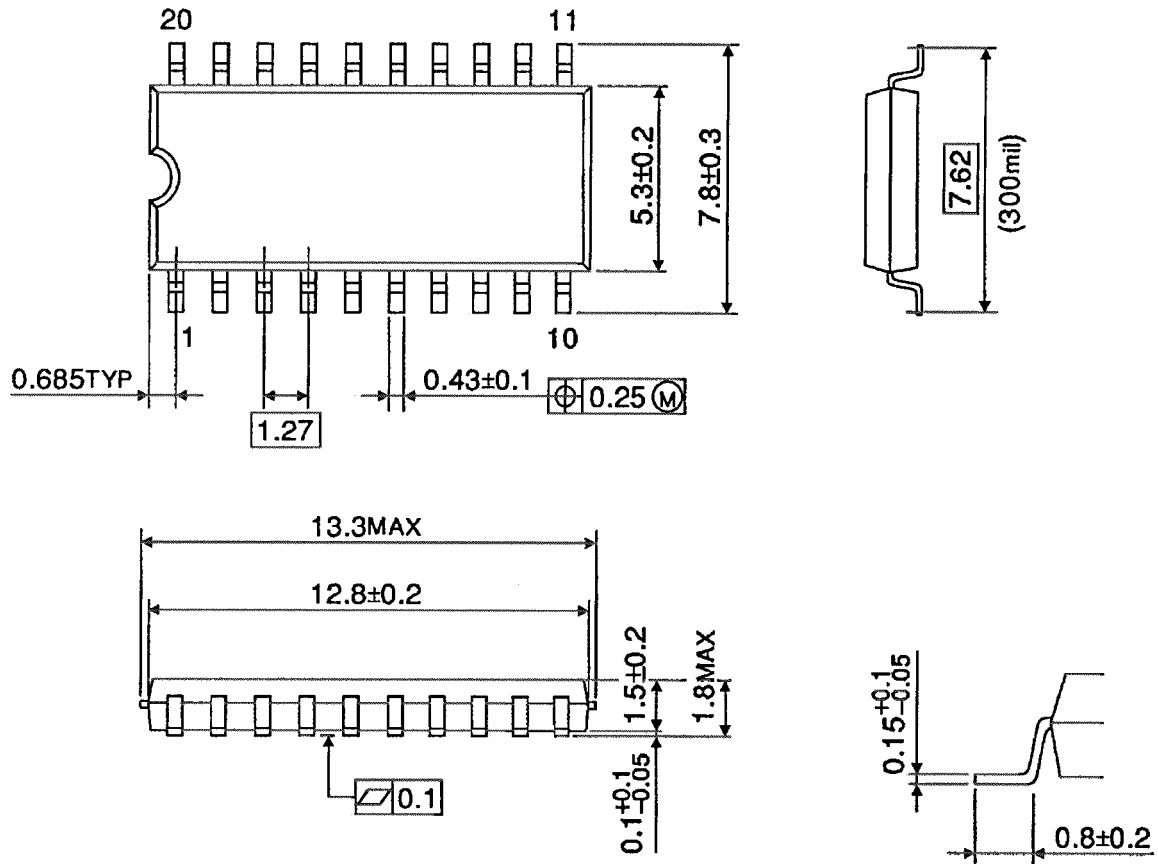
Weight: 0.22 g (typ.)



**Package Dimensions**

SOP20-P-300-1.27

Unit : mm

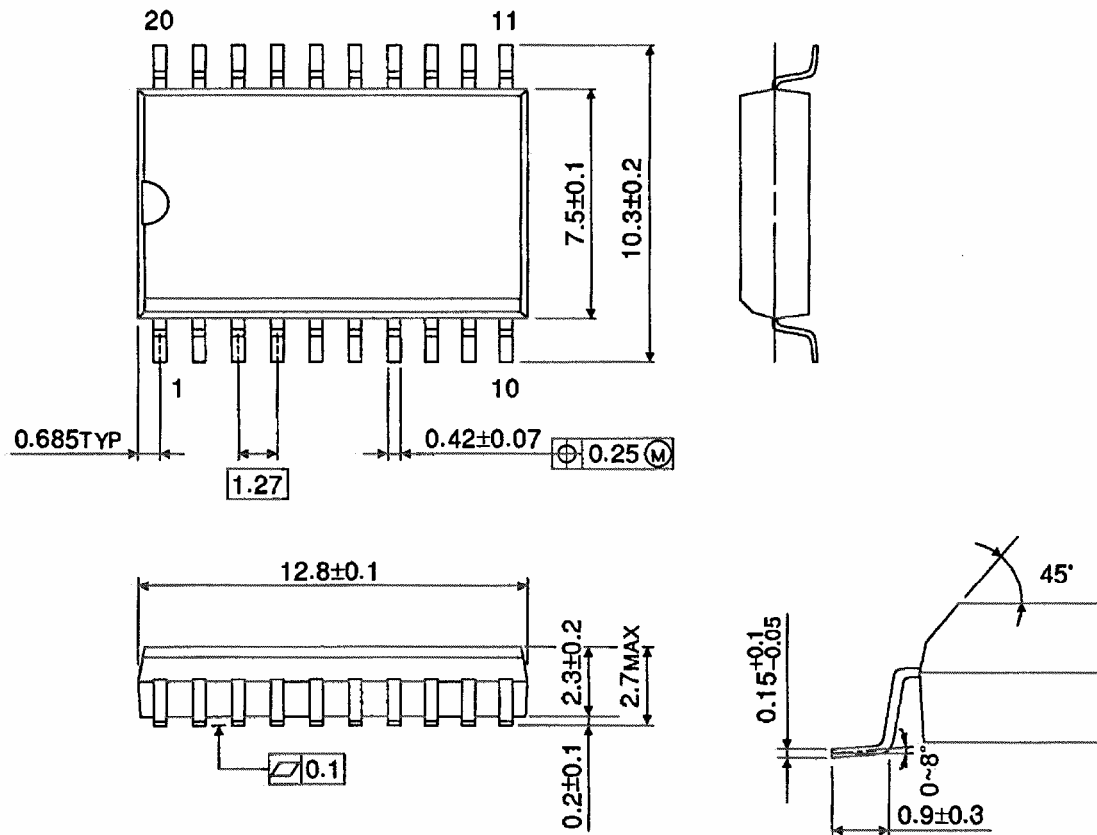


Weight: 0.22 g (typ.)

## Package Dimensions (Note)

SOL20-P-300-1.27

Unit : mm



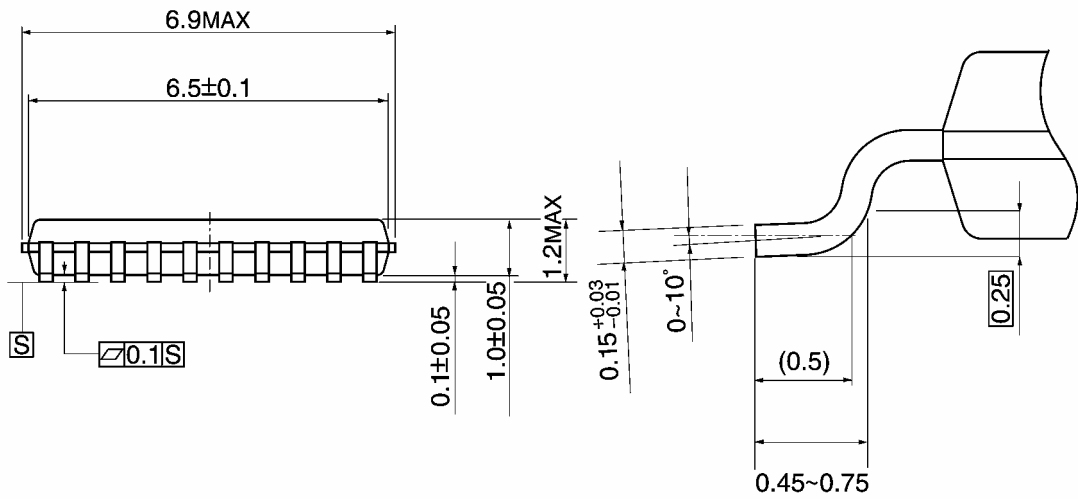
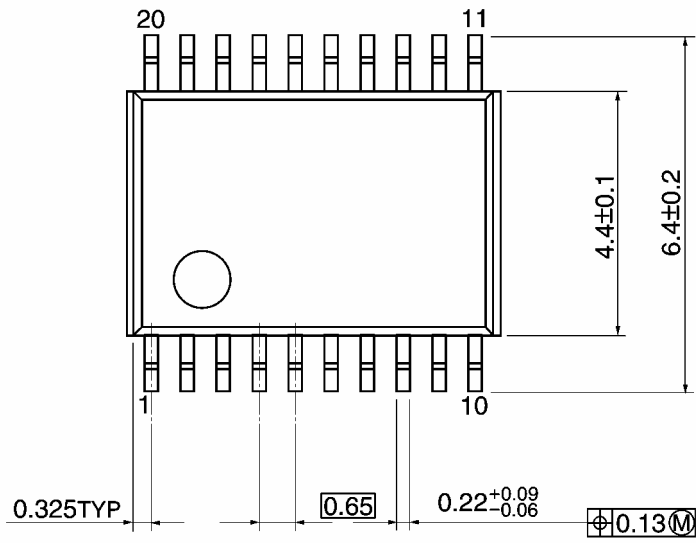
Note: This package is not available in Japan.

Weight: 0.46 g (typ.)

## Package Dimensions

TSSOP20-P-0044-0.65A

Unit: mm



Weight: 0.08 g (typ.)

**RESTRICTIONS ON PRODUCT USE**

20070701-EN

- The information contained herein is subject to change without notice.
- TOSHIBA is continually working to improve the quality and reliability of its products. Nevertheless, semiconductor devices in general can malfunction or fail due to their inherent electrical sensitivity and vulnerability to physical stress. It is the responsibility of the buyer, when utilizing TOSHIBA products, to comply with the standards of safety in making a safe design for the entire system, and to avoid situations in which a malfunction or failure of such TOSHIBA products could cause loss of human life, bodily injury or damage to property.  
In developing your designs, please ensure that TOSHIBA products are used within specified operating ranges as set forth in the most recent TOSHIBA products specifications. Also, please keep in mind the precautions and conditions set forth in the "Handling Guide for Semiconductor Devices," or "TOSHIBA Semiconductor Reliability Handbook" etc.
- The TOSHIBA products listed in this document are intended for usage in general electronics applications (computer, personal equipment, office equipment, measuring equipment, industrial robotics, domestic appliances, etc.). These TOSHIBA products are neither intended nor warranted for usage in equipment that requires extraordinarily high quality and/or reliability or a malfunction or failure of which may cause loss of human life or bodily injury ("Unintended Usage"). Unintended Usage include atomic energy control instruments, airplane or spaceship instruments, transportation instruments, traffic signal instruments, combustion control instruments, medical instruments, all types of safety devices, etc.. Unintended Usage of TOSHIBA products listed in this document shall be made at the customer's own risk.
- The products described in this document shall not be used or embedded to any downstream products of which manufacture, use and/or sale are prohibited under any applicable laws and regulations.
- Please contact your sales representative for product-by-product details in this document regarding RoHS compatibility. Please use these products in this document in compliance with all applicable laws and regulations that regulate the inclusion or use of controlled substances. Toshiba assumes no liability for damage or losses occurring as a result of noncompliance with applicable laws and regulations.