

阅读申明

- 1.本站收集的数据手册和产品资料都来自互联网，版权归原作者所有。如读者和版权方有任何异议请及时告之，我们将妥善解决。
- 2.本站提供的中文数据手册是英文数据手册的中文翻译，其目的是协助用户阅读，该译文无法自动跟随原稿更新，同时也可能存在翻译上的不当。建议读者以英文原稿为参考以便获得更精准的信息。
- 3.本站提供的产品资料，来自厂商的技术支持或者使用者的心得体会等，其内容可能存在描述上的差异，建议读者做出适当判断。
- 4.如需与我们联系，请发邮件到marketing@iczoom.com，主题请标有“数据手册”字样。

Read Statement

1. The datasheets and other product information on the site are all from network reference or other public materials, and the copyright belongs to the original author and original published source. If readers and copyright owners have any objections, please contact us and we will deal with it in a timely manner.
2. The Chinese datasheets provided on the website is a Chinese translation of the English datasheets. Its purpose is for reader's learning exchange only and do not involve commercial purposes. The translation cannot be automatically updated with the original manuscript, and there may also be improper translations. Readers are advised to use the English manuscript as a reference for more accurate information.
3. All product information provided on the website refer to solutions from manufacturers' technical support or users the contents may have differences in description, and readers are advised to take the original article as the standard.
4. If you have any questions, please contact us at marketing@iczoom.com and mark the subject with "Datasheets" .

CMOS Logic

■ GENERAL DESCRIPTION

The XC74UL08AA is a 2-input CMOS AND Gate, manufactured using silicon gate CMOS fabrication.

CMOS low power circuit operation makes high speed LS-TTL operation achievable.

With a wave forming buffer connected internally, stabilized output can be achieved as the circuit offers high noise immunity.

As the XC74UL08AA is integrated into mini molded, SSOT-25 and SON-6 package, high density mounting is possible.

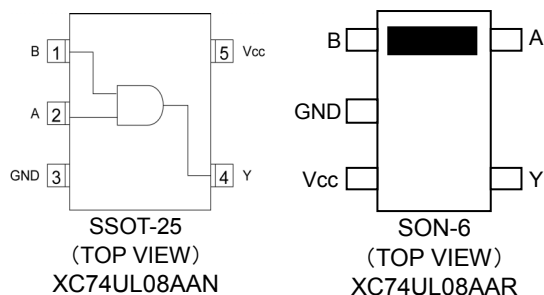
■ APPLICATIONS

- Palmtops
- Digital equipment

■ FEATURES

- High Speed Operation** : tpd = 2.6ns (TYP.)
- Operating Voltage Range** : 2V ~ 5.5V
- Low Power Consumption** : 1 μ A (MAX.)
- CMOS 2-Input AND Gate**
- Ultra Small Packages** : SSOT-25, SON-6*
- * Under Development

■ PIN CONFIGURATION



■ FUNCTIONS

| INPUT | | OUTPUT |
|-------|---|--------|
| A | B | Y |
| L | L | L |
| L | H | L |
| H | L | L |
| H | H | H |

H=High level
L=Low level

■ ABSOLUTE MAXIMUM RATINGS

Ta=-40°C~85°C

| PARAMETER | SYMBOL | RATINGS | UNITS |
|---------------------------|-----------------------------------|--------------|-------|
| Supply Voltage | VCC | -0.5~+6.0 | V |
| Input Voltage | VIN | -0.5~+6.0 | V |
| Output Voltage | VOUT | -0.5~VCC+0.5 | V |
| Input Diode Current | I _{IK} | -20 | mA |
| Output Diode Current | I _{OK} | ±20 | mA |
| Output Current | I _{OUT} | ±25 | mA |
| Vcc,GND Current | I _{CC} ,I _{GND} | ±50 | mA |
| Power Dissipation | SSOT-25* ¹ | Pd | mW |
| | SON-6* ² | | |
| Storage Temperature Range | Tstg | -65~+150 | °C |

Voltage is all ground standardized.

* 1) Ta=55°C

* 2) Ta=25°C

RECOMMENDED OPERATING CONDITIONS

| PARAMETER | SYMBOL | V _{CC} (V) | CONDITIONS | UNITS |
|-----------------------------|-------------------|---------------------|-------------------|-------|
| Supply Voltage | V _{CC} | — | 2~5.5 | V |
| Input Voltage | V _{IN} | — | 0~5.5 | V |
| Output Voltage | V _{OUT} | — | 0~V _{CC} | V |
| Operating Temperature Range | T _{opr} | — | -40~+85 | °C |
| Output Current | I _{OH} | 3.0 | -4 | mA |
| | | 4.5 | -8 | |
| | I _{OL} | 3.0 | 4 | |
| | | 4.5 | 8 | |
| Input Rise and Fall Time | t _{r,tf} | 3.3 | 0~100 | ns |
| | | 5.0 | 0~20 | |

DC ELECTRICAL CHARACTERISTICS

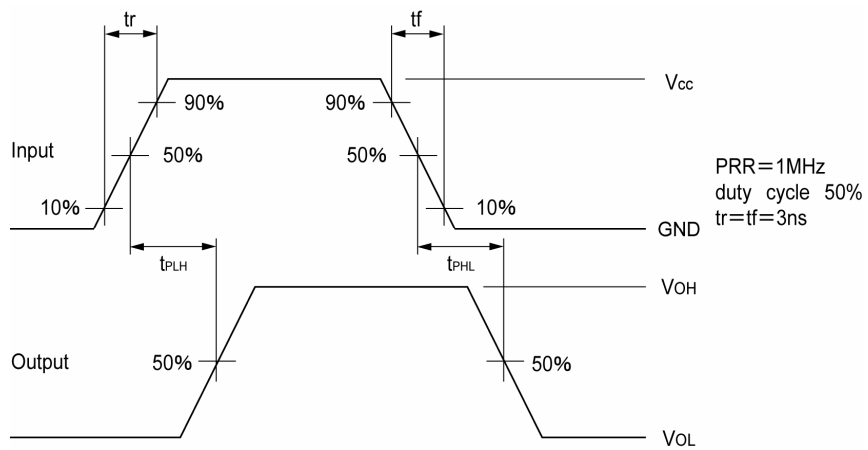
| PARAMETER | SYMBOL | V _{CC} (V) | CONDITIONS | Ta=25°C | | | Ta=-40°C~85°C | | UNITS | | |
|-----------------------|-----------------|---------------------|-----------------------------------------------------------------|-------------------------|-----------------------|-----------------------|---------------|------|-------|------|------|
| | | | | MIN. | TYP. | MAX. | MIN. | MAX. | | | |
| Input Voltage | V _{IH} | 2.0 | | 1.5 | — | — | 1.5 | — | V | | |
| | | 3.0 | | 2.1 | — | — | 2.1 | — | | | |
| | | 5.5 | | 3.85 | — | — | 3.85 | — | | | |
| | V _{IL} | 2.0 | | — | — | 0.5 | — | 0.5 | V | | |
| | | 3.0 | | — | — | 0.9 | — | 0.9 | | | |
| | | 5.5 | | — | — | 1.65 | — | 1.65 | | | |
| Output Voltage | V _{OH} | 2.0 | V _{IN} =V _{IH} | I _{OH} =-50 μA | 1.9 | 2.0 | — | 1.9 | — | V | |
| | | 3.0 | | | 2.9 | 3.0 | — | 2.9 | — | | |
| | | 4.5 | | | 4.4 | 4.5 | — | 4.4 | — | | |
| | | 3.0 | | | I _{OH} =-4mA | 2.58 | — | — | 2.48 | | — |
| | | 4.5 | | | | I _{OH} =-8mA | 3.94 | — | — | | 3.80 |
| | V _{OL} | 2.0 | V _{IN} =V _{IH} or V _{IL} | I _{OL} =50 μA | — | | — | 0.1 | — | 0.1 | V |
| | | 3.0 | | | — | — | 0.1 | — | 0.1 | | |
| | | 4.5 | | | — | — | 0.1 | — | 0.1 | | |
| | | 3.0 | | | I _{OL} =4mA | — | — | 0.36 | — | 0.44 | |
| | | 4.5 | | | | I _{OL} =8mA | — | — | 0.36 | — | |
| Input Current | I _{IN} | 5.5 | V _{IN} =V _{CC} or GND | -0.1 | — | | 0.1 | -1.0 | 1.0 | μA | |
| Static Supply Current | I _{CC} | 5.5 | V _{IN} =V _{CC} or GND, I _{OUT} =0 μA | — | — | 1.0 | — | 10.0 | μA | | |

SWITCHING ELECTRICAL CHARACTERISTICS

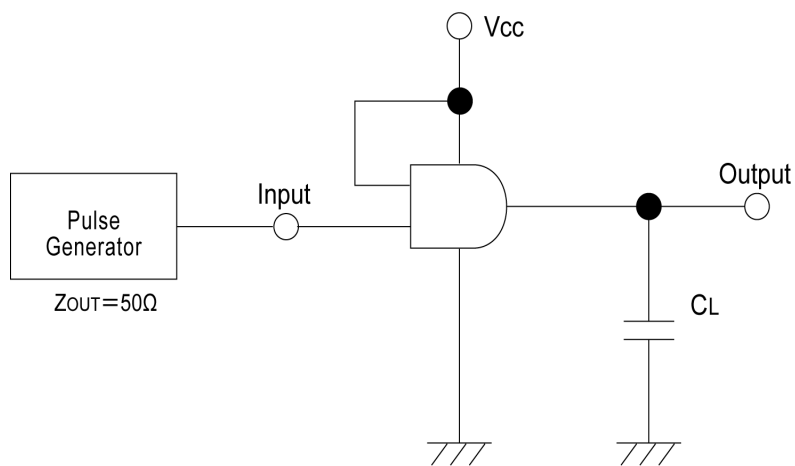
t_r=t_f=3ns

| PARAMETER | SYMBOL | C _L | V _{CC} (V) | CONDITIONS | Ta=25°C | | | Ta=-40°C~85°C | | UNITS |
|-------------------------------|------------------|-----------------|---------------------|-----------------------------------------|---------|------|------|---------------|------|-------|
| | | | | | MIN. | TYP. | MAX. | MIN. | MAX. | |
| Delay Time | t _{PLH} | 15pF | 3.3 | | — | 3.7 | 8.8 | 1.0 | 10.5 | ns |
| | | | 5.0 | | — | 2.8 | 5.9 | 1.0 | 7.0 | |
| | | 50pF | 3.3 | | — | 5.2 | 12.3 | 1.0 | 14.0 | ns |
| | | | 5.0 | | — | 3.7 | 7.9 | 1.0 | 9.0 | |
| | t _{PHL} | 15pF | 3.3 | | — | 3.2 | 8.8 | 1.0 | 10.5 | ns |
| | | | 5.0 | | — | 2.4 | 5.9 | 1.0 | 7.0 | |
| | | 50pF | 3.3 | | — | 4.5 | 12.3 | 1.0 | 14.0 | ns |
| | | | 5.0 | | — | 3.4 | 7.9 | 1.0 | 9.0 | |
| Input Capacitance | C _{IN} | — | 5.0 | V _{IN} =V _{CC} or GND | — | 4 | 10 | — | 10 | pF |
| Power Dissipation Capacitance | C _{pd} | No Load, f=1MHz | | | — | 9.3 | — | — | — | pF |

WAVEFORM



TEST CIRCUIT



Note: Open output when measuring supply current

1. The products and product specifications contained herein are subject to change without notice to improve performance characteristics. Consult us, or our representatives before use, to confirm that the information in this catalog is up to date.
2. We assume no responsibility for any infringement of patents, patent rights, or other rights arising from the use of any information and circuitry in this catalog.
3. Please ensure suitable shipping controls (including fail-safe designs and aging protection) are in force for equipment employing products listed in this catalog.
4. The products in this catalog are not developed, designed, or approved for use with such equipment whose failure or malfunction can be reasonably expected to directly endanger the life of, or cause significant injury to, the user.
(e.g. Atomic energy; aerospace; transport; combustion and associated safety equipment thereof.)
5. Please use the products listed in this catalog within the specified ranges.
Should you wish to use the products under conditions exceeding the specifications, please consult us or our representatives.
6. We assume no responsibility for damage or loss due to abnormal use.
7. All rights reserved. No part of this catalog may be copied or reproduced without the prior permission of Torex Semiconductor Ltd.

TOREX SEMICONDUCTOR LTD.