

阅读申明

- 1.本站收集的数据手册和产品资料都来自互联网，版权归原作者所有。如读者和版权方有任何异议请及时告之，我们将妥善解决。
- 2.本站提供的中文数据手册是英文数据手册的中文翻译，其目的是协助用户阅读，该译文无法自动跟随原稿更新，同时也可能存在翻译上的不当。建议读者以英文原稿为参考以便获得更精准的信息。
- 3.本站提供的产品资料，来自厂商的技术支持或者使用者的心得体会等，其内容可能存在描述上的差异，建议读者做出适当判断。
- 4.如需与我们联系，请发邮件到marketing@iczoom.com，主题请标有“数据手册”字样。

Read Statement

1. The datasheets and other product information on the site are all from network reference or other public materials, and the copyright belongs to the original author and original published source. If readers and copyright owners have any objections, please contact us and we will deal with it in a timely manner.
2. The Chinese datasheets provided on the website is a Chinese translation of the English datasheets. Its purpose is for reader's learning exchange only and do not involve commercial purposes. The translation cannot be automatically updated with the original manuscript, and there may also be improper translations. Readers are advised to use the English manuscript as a reference for more accurate information.
3. All product information provided on the website refer to solutions from manufacturers' technical support or users the contents may have differences in description, and readers are advised to take the original article as the standard.
4. If you have any questions, please contact us at marketing@iczoom.com and mark the subject with "Datasheets" .

CMOS Logic

■ GENERAL DESCRIPTION

XC74WL14AASR is triple schmit inverter manufactured using silicon gate CMOS processes. The small supply current, which is one of the features of the CMOS logic, gives way to high speed operations which enables LS-TTL.

With wave forming buffers connected internally, stabilized output can be achieved as the series offers high noise immunity.

As the series is integrated into a mini molded, MSOP-8B package, high density mounting is possible.

■ APPLICATIONS

- Palmtops
- Digital equipment

■ FEATURES

High Speed Operations : tpd = 2.3ns(TYP.) (Vcc=5V)

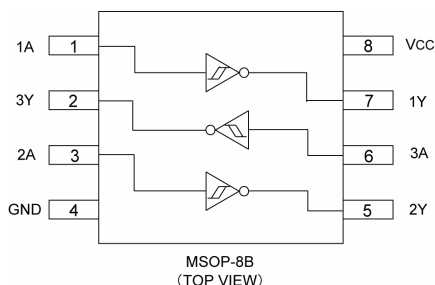
Operating Voltage Range : 2V ~ 5.5V

Low Power Consumption: 1 μ A (MAX.)@Ta=25°C

CMOS Logic Triple Schmit Inverter

Small Package : MSOP-8B

■ PIN CONFIGURATION



■ FUNCTIONS

INPUT	OUTPUT
A	Y
H	L
L	H

H=High level

L=Low level

■ ABSOLUTE MAXIMUM RATINGS

Ta=-40°C~85°C

PARAMETER	SYMBOL	RATINGS	UNITS
Power Supply Voltage.	VCC	-0.5~+6.0	V
Input Voltage	VIN	-0.5~+6.0	V
Output Voltage	VOUT	-0.5~Vcc+0.5	V
Input Diode Current	I _{IK}	-20	mA
Output Diode Current	I _{OK}	±20	mA
Switch Output Current	I _{OUT}	±25	mA
Vcc,GND Current	I _{CC} ,I _{GND}	±50	mA
Power Dissipation (Ta = 25°C)	P _d	300	mW
Storage Temperature Range	T _{stg}	-65~+150	°C

Note : Voltage is all ground standardized.

RECOMMENDED OPERATING CONDITIONS

PARAMETER	SYMBOL	CONDITIONS	UNITS
Supply Voltage	V _{CC}	2~5.5	V
Input Voltage	V _{IN}	0~5.5	V
Output Voltage	V _{OUT}	0~ V _{CC}	V
Operating Temperature Range	T _{opr}	-40~+85	°C

DC ELECTRICAL CHARACTERISTICS

PARAMETER	SYMBOL	V _{CC} (V)	CONDITIONS	Ta=25°C			Ta=-40°C~85°C		UNITS		
				MIN.	TYP.	MAX.	MIN.	MAX.			
Threshold Voltage	VT+	3.0		—	—	2.20	—	2.20	V		
		4.5		—	—	3.15	—	3.15			
		5.5		—	—	3.85	—	3.85			
	VT-	3.0		0.90	—	—	0.90	—	V		
		4.5		1.35	—	—	1.35	—			
		5.5		1.65	—	—	1.65	—			
Hysteresis Voltage	V _H	3.0		0.25	—	1.2	0.25	1.2	V		
		4.5		0.30	—	1.4	0.30	1.4			
		5.5		0.35	—	1.6	0.35	1.6			
Output Voltage	V _{OH}	2.0	V _{IN} =V _{IL}	I _{OH} =-50 μA	1.9	2.0	—	1.9	—	V	
		3.0			2.9	3.0	—	2.9	—		
		4.5			4.4	4.5	—	4.4	—		
		3.0		I _{OH} =-4mA	2.58	—	—	2.48	—		
		4.5		I _{OH} =-8mA	3.94	—	—	3.80	—		
		4.5		I _{OH} =-8mA	3.94	—	—	3.80	—		
	V _{OL}	V _{IN} =V _{IH}	2.0	I _{OL} =50 μA	—	—	0.1	—	0.1	V	
			3.0		—	—	0.1	—	0.1		
			4.5		—	—	0.1	—	0.1		
			3.0		I _{OL} =4mA	—	—	0.36	—		0.44
			4.5		I _{OL} =4mA	—	—	0.36	—		0.44
			4.5		I _{OL} =8mA	—	—	0.36	—		0.44
Input Current	I _{IN}	0~5.5	V _{IN} =V _{CC} or GND	-0.1	—	0.1	-1.0	1.0	μA		
Static Supply Current	I _{CC}	5.5	V _{IN} =V _{CC} or GND, I _{OUT} =0 μA	—	—	1.0	—	10.0	μA		

SWITCHING ELECTRICAL CHARACTERISTICS

(tr=tf=3ns)

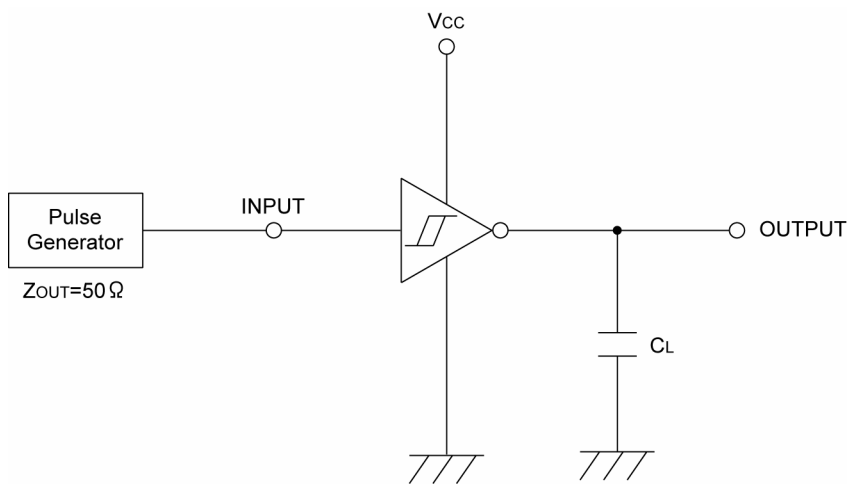
PARAMETER	SYMBOL	C _L	V _{CC} (V)	CONDITIONS	Ta=25°C			Ta=-40°C~85°C		
					MIN.	TYP.	MAX.	MIN.	MAX.	
Delay Time	TPLH	15pF	3.3		—	2.8	12.8	1.0	15	ns
			5.0		—	2.1	8.6	1.0	10	
		50pF	3.3		—	4.3	16.3	1.0	18.5	ns
			5.0		—	3.1	10.6	1.0	12	
	TPHL	15pF	3.3		—	3.1	12.8	1.0	15	ns
			5.0		—	2.5	8.6	1.0	10	
		50pF	3.3		—	4.4	16.3	1.0	18.5	ns
			5.0		—	3.4	10.6	1.0	12	
Input Capacitance	C _{IN}	—	5.0	V _{IN} =V _{CC} or GND	—	2	10	—	10	pF
Power Dissipation Capacitance	C _{pd}	No Load, f=1MHz			—	10	—	—	—	pF

NOISE CHARACTERISTICS

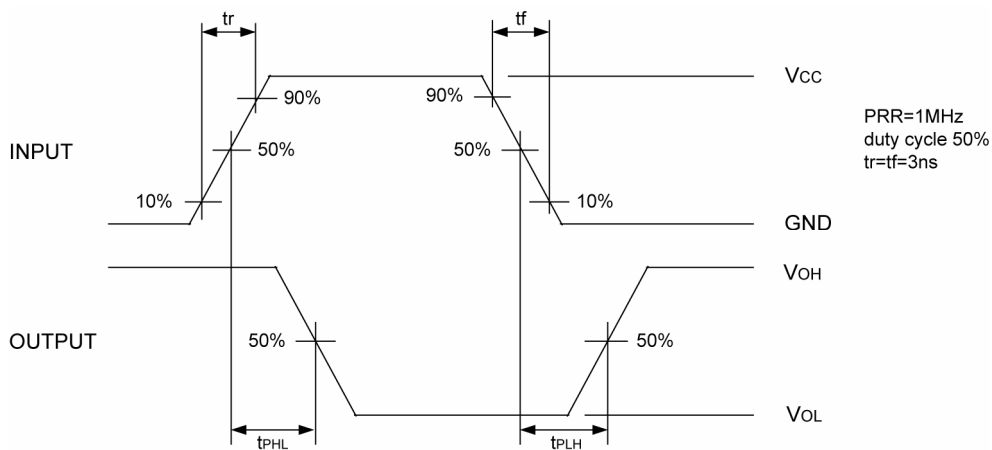
($t_r=t_f=3\text{ns}$)

PARAMETER	SYMBOL	CONDITIONS		Ta=25°C			UNITS
		CL	Vcc(V)	MIN.	TYP.	MAX.	
Non Functional Output Maximum Dynamic VOL	VoLP	50pF	5.0	—	0.3	0.8	V
Non Functional Output Minimum Dynamic VOL	VoLV	50pF	5.0	-0.8	-0.3	—	V
Minimum Dynamic VIH	VIHD	50pF	5.0	—	—	3.5	V
Maximum Dynamic VIL	VILD	50pF	5.0	—	—	1.5	V

TEST CIRCUIT



WAVEFORM



1. The products and product specifications contained herein are subject to change without notice to improve performance characteristics. Consult us, or our representatives before use, to confirm that the information in this catalog is up to date.
2. We assume no responsibility for any infringement of patents, patent rights, or other rights arising from the use of any information and circuitry in this catalog.
3. Please ensure suitable shipping controls (including fail-safe designs and aging protection) are in force for equipment employing products listed in this catalog.
4. The products in this catalog are not developed, designed, or approved for use with such equipment whose failure of malfunction can be reasonably expected to directly endanger the life of, or cause significant injury to, the user.
(e.g. Atomic energy; aerospace; transport; combustion and associated safety equipment thereof.)
5. Please use the products listed in this catalog within the specified ranges.
Should you wish to use the products under conditions exceeding the specifications, please consult us or our representatives.
6. We assume no responsibility for damage or loss due to abnormal use.
7. All rights reserved. No part of this catalog may be copied or reproduced without the prior permission of Torex Semiconductor Ltd.

TOREX SEMICONDUCTOR LTD.