

## 阅读申明

- 1.本站收集的数据手册和产品资料都来自互联网，版权归原作者所有。如读者和版权方有任何异议请及时告之，我们将妥善解决。
- 2.本站提供的中文数据手册是英文数据手册的中文翻译，其目的是协助用户阅读，该译文无法自动跟随原稿更新，同时也可能存在翻译上的不当。建议读者以英文原稿为参考以便获得更精准的信息。
- 3.本站提供的产品资料，来自厂商的技术支持或者使用者的心得体会等，其内容可能存在描述上的差异，建议读者做出适当判断。
- 4.如需与我们联系，请发邮件到marketing@iczoom.com，主题请标有“数据手册”字样。

## Read Statement

1. The datasheets and other product information on the site are all from network reference or other public materials, and the copyright belongs to the original author and original published source. If readers and copyright owners have any objections, please contact us and we will deal with it in a timely manner.
2. The Chinese datasheets provided on the website is a Chinese translation of the English datasheets. Its purpose is for reader's learning exchange only and do not involve commercial purposes. The translation cannot be automatically updated with the original manuscript, and there may also be improper translations. Readers are advised to use the English manuscript as a reference for more accurate information.
3. All product information provided on the website refer to solutions from manufacturers' technical support or users the contents may have differences in description, and readers are advised to take the original article as the standard.
4. If you have any questions, please contact us at marketing@iczoom.com and mark the subject with "Datasheets" .

# 100336

## Low Power 4-Stage Counter/Shift Register

### General Description

The 100336 operates as either a modulo-16 up/down counter or as a 4-bit bidirectional shift register. Three Select ( $S_n$ ) inputs determine the mode of operation, as shown in the Function Select table. Two Count Enable ( $\overline{CEP}$ ,  $\overline{CET}$ ) inputs are provided for ease of cascading in multistage counters. One Count Enable ( $\overline{CET}$ ) input also doubles as a Serial Data ( $D_0$ ) input for shift-up operation. For shift-down operation,  $D_3$  is the Serial Data input. In counting operations the Terminal Count ( $\overline{TC}$ ) output goes LOW when the counter reaches 15 in the count/up mode or 0 (zero) in the count/down mode. In the shift modes, the  $\overline{TC}$  output repeats the  $Q_3$  output. The dual nature of this  $\overline{TC}/Q_3$  output and the  $D_0/\overline{CET}$  input means that one interconnection from one stage to the next higher stage serves as the link for multistage counting or shift-up operation. The indi-

vidual Preset ( $P_n$ ) inputs are used to enter data in parallel or to preset the counter in programmable counter applications. A HIGH signal on the Master Reset ( $MR$ ) input overrides all other inputs and asynchronously clears the flip-flops. In addition, a synchronous clear is provided, as well as a complement function which synchronously inverts the contents of the flip-flops. All inputs have 50 k $\Omega$  pull-down resistors.

### Features

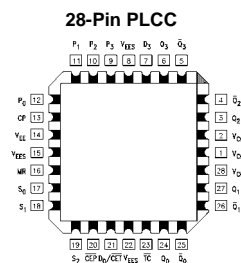
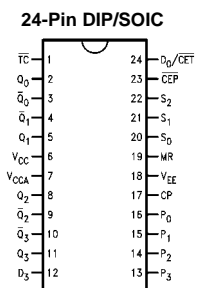
- 40% power reduction of the 100136
- 2000V ESD protection
- Pin/function compatible with 100136
- Voltage compensated operating range = -4.2V to -5.7V
- Available to industrial grade temperature range

### Ordering Code:

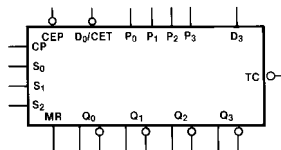
Order Number	Package Number	Package Description
100336SC	M24B	24-Lead Small Outline Integrated Circuit (SOIC), JEDEC MS-013, 0.300 Wide
100336PC	N24E	24-Lead Plastic Dual-In-Line Package (PDIP), JEDEC MS-010, 0.400 Wide
100336QC	V28A	28-Lead Plastic Lead Chip Carrier (PLCC), JEDEC MO-047, 0.450 Square
100336QI	V28A	28-Lead Plastic Lead Chip Carrier (PLCC), JEDEC MO-047, 0.450 Square Industrial Temperature Range (-40°C to +85°C)

Devices also available in Tape and Reel. Specify by appending the suffix letter "X" to the ordering code.

### Connection Diagrams



### Logic Symbol



100336 Low Power 4-Stage Counter/Shift Register

**Function Select Table**

S <sub>2</sub>	S <sub>1</sub>	S <sub>0</sub>	Function
L	L	L	Parallel Load
L	L	H	Complement
L	H	L	Shift Left
L	H	H	Shift Right
H	L	L	Count Down
H	L	H	Clear
H	H	L	Count Up
H	H	H	Hold

**Pin Descriptions**

Pin Names	Description
CP	Clock Pulse Input
$\overline{\text{CEP}}$	Count Enable Parallel Input (Active LOW)
$\overline{\text{D}_0/\text{CET}}$	Serial Data Input/Count Enable
	Trickle Input (Active LOW)
S <sub>0</sub> -S <sub>2</sub>	Select Inputs
MR	Master Reset Input
P <sub>0</sub> -P <sub>3</sub>	Preset Inputs
D <sub>3</sub>	Serial Data Input
TC	Terminal Count Output
Q <sub>0</sub> -Q <sub>3</sub>	Data Outputs
$\overline{\text{Q}_0}$ - $\overline{\text{Q}_3}$	Complementary Data Outputs

**Truth Table**

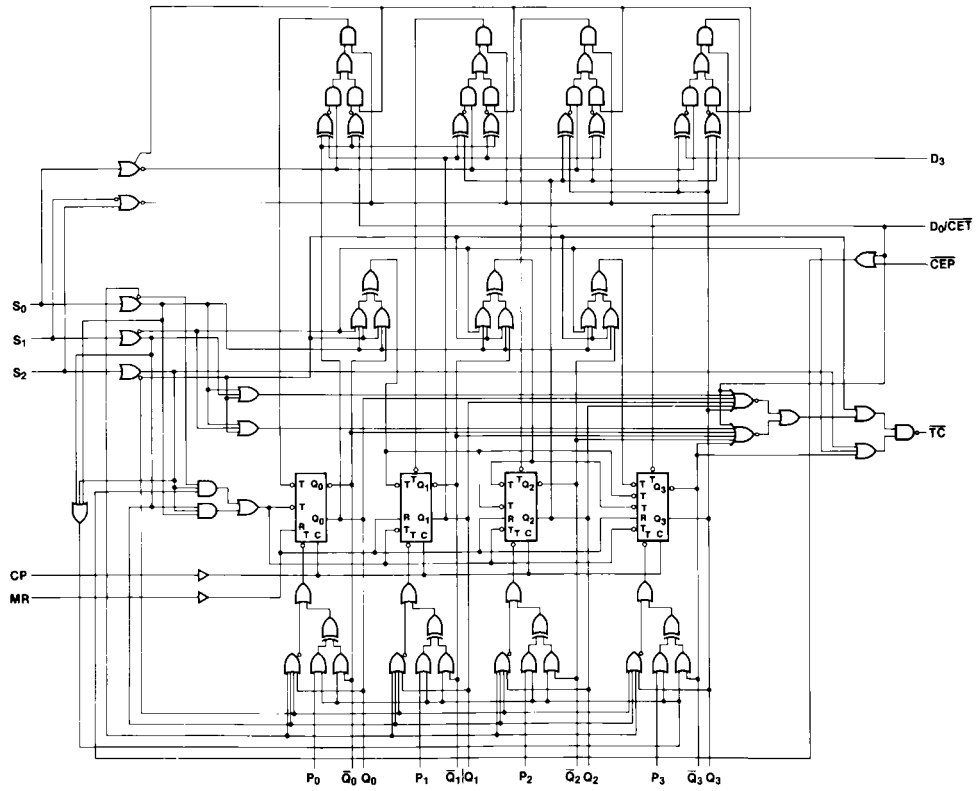
Q<sub>0</sub> = LSB

Inputs								Outputs						Mode
MR	S <sub>2</sub>	S <sub>1</sub>	S <sub>0</sub>	$\overline{\text{CEP}}$	$\overline{\text{D}_0/\text{CET}}$	D <sub>3</sub>	CP	Q <sub>3</sub>	Q <sub>2</sub>	Q <sub>1</sub>	Q <sub>0</sub>	$\overline{\text{TC}}$		
L	L	L	L	X	X	X	↘	P <sub>3</sub>	P <sub>2</sub>	P <sub>1</sub>	P <sub>0</sub>	L	Preset (Parallel Load)	
L	L	L	H	X	X	X	↘	$\overline{\text{Q}_3}$	$\overline{\text{Q}_2}$	$\overline{\text{Q}_1}$	$\overline{\text{Q}_0}$	L	Invert	
L	L	H	L	X	X	X	↘	D <sub>3</sub>	Q <sub>3</sub>	Q <sub>2</sub>	Q <sub>1</sub>	D <sub>3</sub>	Shift to LSB	
L	L	H	H	X	X	X	↘	Q <sub>2</sub>	Q <sub>1</sub>	Q <sub>0</sub>	D <sub>0</sub>	Q <sub>3</sub> (Note 1)	Shift to MSB	
L	H	L	L	L	L	X	↘	(Q <sub>0-3</sub> ) minus 1				1	Count Down	
L	H	L	L	H	L	X	X	Q <sub>3</sub>	Q <sub>2</sub>	Q <sub>1</sub>	Q <sub>0</sub>	1	Count Down with $\overline{\text{CEP}}$ not active	
L	H	L	L	X	H	X	X	Q <sub>3</sub>	Q <sub>2</sub>	Q <sub>1</sub>	Q <sub>0</sub>	H	Count Down with $\overline{\text{CET}}$ not active	
L	H	L	H	X	X	X	↘	L	L	L	L	H	Clear	
L	H	H	L	L	L	X	↘	(Q <sub>0-3</sub> ) plus 1				2	Count Up	
L	H	H	L	H	L	X	X	Q <sub>3</sub>	Q <sub>2</sub>	Q <sub>1</sub>	Q <sub>0</sub>	2	Count Up with $\overline{\text{CEP}}$ not active	
L	H	H	L	X	H	X	X	Q <sub>3</sub>	Q <sub>2</sub>	Q <sub>1</sub>	Q <sub>0</sub>	H	Count Up with $\overline{\text{CET}}$ not active	
L	H	H	H	X	X	X	X	Q <sub>3</sub>	Q <sub>2</sub>	Q <sub>1</sub>	Q <sub>0</sub>	H	Hold	
H	L	L	L	X	X	X	X	L	L	L	L	L	Asynchronous Master Reset	
H	L	L	H	X	X	X	X	L	L	L	L	L		
H	L	H	L	X	X	X	X	L	L	L	L	L		
H	L	H	H	X	X	X	X	L	L	L	L	L		
H	H	L	L	X	L	X	X	L	L	L	L	L		
H	H	L	L	X	H	X	X	L	L	L	L	H		
H	H	L	H	X	X	X	X	L	L	L	L	H		
H	H	H	L	X	X	X	X	L	L	L	L	H		
H	H	H	H	X	X	X	X	L	L	L	L	H		

1 = L if Q<sub>0</sub>-Q<sub>3</sub> = LLLL  
 H if Q<sub>0</sub>-Q<sub>3</sub> ≠ LLLL  
 2 = L if Q<sub>0</sub>-Q<sub>3</sub> = HHHH  
 H if Q<sub>0</sub>-Q<sub>3</sub> ≠ HHHH  
 H = HIGH Voltage Level  
 L = LOW Voltage Level  
 X = Don't Care  
 ↘ = LOW-to-HIGH Transition  
**Note 1:** Before the clock,  $\overline{\text{TC}}$  is Q<sub>3</sub>  
 After the clock,  $\overline{\text{TC}}$  is Q<sub>2</sub>

# Logic Diagram

100336



**Absolute Maximum Ratings** (Note 2)

Storage Temperature ( $T_{STG}$ )	-65°C to +150°C
Maximum Junction Temperature ( $T_J$ )	+150°C
$V_{EE}$ Pin Potential to Ground Pin	-7.0V to +0.5V
Input Voltage (DC)	$V_{EE}$ to +0.5V
Output Current (DC Output HIGH)	-50 mA
ESD (Note 3)	$\geq 2000V$

**Recommended Operating Conditions**

Case Temperature ( $T_C$ )	
Commercial	0°C to +85°C
Industrial	-40°C to +85°C
Supply Voltage ( $V_{EE}$ )	-5.7V to -4.2V

**Note 2:** Absolute maximum ratings are those values beyond which the device may be damaged or have its useful life impaired. Functional operation under these conditions is not implied.

**Note 3:** ESD testing conforms to MIL-STD-883, Method 3015.

**Commercial Version****DC Electrical Characteristics** (Note 4)

$V_{EE} = -4.2V$  to  $-5.7V$ ,  $V_{CC} = V_{CCA} = GND$ ,  $T_C = 0^\circ C$  to  $+85^\circ C$

Symbol	Parameter	Min	Typ	Max	Units	Conditions	
$V_{OH}$	Output HIGH Voltage	-1025	-955	-870	mV	$V_{IN} = V_{IH} (Max)$ or $V_{IL} (Min)$	Loading with 50Ω to -2.0V
$V_{OL}$	Output LOW Voltage	-1830	-1705	-1620	mV		
$V_{OHC}$	Output HIGH Voltage	-1035			mV	$V_{IN} = V_{IH}(Min)$ or $V_{IL} (Max)$	Loading with 50Ω to -2.0V
$V_{OLC}$	Output LOW Voltage			-1610	mV		
$V_{IH}$	Input HIGH Voltage	-1165		-870	mV	Guaranteed HIGH Signal for All Inputs	
$V_{IL}$	Input LOW Voltage	-1830		-1475	mV	Guaranteed LOW Signal for All Inputs	
$I_{IL}$	Input LOW Current	0.50			μA	$V_{IN} = V_{IL} (Min)$	
$I_{IH}$	Input HIGH Current			240	μA	$V_{IN} = V_{IH} (Max)$	
$I_{EE}$	Power Supply Current	-165		-80		Inputs Open	

**Note 4:** The specified limits represent the "worst case" value for the parameter. Since these values normally occur at the temperature extremes, additional noise immunity and guardbanding can be achieved by decreasing the allowable system operating ranges. Conditions for testing shown in the tables are chosen to guarantee operation under "worst case" conditions.

### Commercial Version (Continued) DIP AC Characteristics

 $V_{EE} = -4.2V$  to  $-5.7V$ ,  $V_{CC} = V_{CCA} = GND$ 

Symbol	Parameter	$T_C = 0^\circ C$		$T_C = +25^\circ C$		$T_C = +85^\circ C$		Units	Conditions
		Min	Max	Min	Max	Min	Max		
$f_{SHIFT}$	Shift Frequency	300		300		300		MHz	Figures 2, 3
$t_{PLH}$ $t_{PHL}$	Propagation Delay CP to $Q_n, \overline{Q}_n$	1.00	2.00	1.00	2.00	1.00	2.00	ns	Figures 1, 3 (Note 5)
$t_{PLH}$ $t_{PHL}$	Propagation Delay CP to $\overline{TC}$ (Shift)	2.10	3.50	2.10	3.50	2.10	3.70	ns	Figures 1, 7, 8 (Note 5)
$t_{PLH}$ $t_{PHL}$	Propagation Delay CP to $\overline{TC}$ (Count)	2.40	4.40	2.40	4.40	2.60	4.70	ns	Figures 1, 9 (Note 5)
$t_{PLH}$ $t_{PHL}$	Propagation Delay MR to $Q_n, \overline{Q}_n$	1.40	2.50	1.40	2.50	1.50	2.60	ns	Figures 1, 4 (Note 5)
$t_{PLH}$ $t_{PHL}$	Propagation Delay MR to $\overline{TC}$ (Count)	2.80	5.10	2.90	5.20	3.10	5.50	ns	Figures 1, 12 (Note 5)
$t_{PHL}$	Propagation Delay MR to $\overline{TC}$ (Shift)	2.40	4.00	2.40	4.00	2.50	4.10	ns	Figures 1, 10, 11 (Note 5)
$t_{PLH}$ $t_{PHL}$	Propagation Delay $D_0/\overline{CET}$ to $\overline{TC}$	1.80	3.10	1.80	3.10	1.90	3.30	ns	Figures 1, 5 (Note 5)
$t_{PLH}$ $t_{PHL}$	Propagation Delay $S_n$ to $\overline{TC}$	1.90	4.10	1.90	4.10	2.10	4.40	ns	(Note 5)
$t_{TLH}$ $t_{THL}$	Transition Time 20% to 80%, 80% to 20%	0.35	1.20	0.35	1.20	0.35	1.20	ns	Figures 1, 3
$t_S$	Setup Time $D_3$ $P_n$ $D_0/\overline{CET}$ $\overline{CEP}$ $S_n$ MR (Release Time)	1.00 1.50 1.30 1.40 3.40 2.60		1.00 1.50 1.30 1.40 3.40 2.60		1.00 1.50 1.30 1.40 3.40 2.60		ns	Figures 6, 4
$t_H$	Hold Time $D_3$ $P_n$ $D_0/\overline{CET}$ $\overline{CEP}$ $S_n$	0.40 0.30 0.30 0.20 0.10		0.40 0.30 0.30 0.20 0.10		0.40 0.30 0.30 0.20 0.10		ns	Figure 6
$t_{PW(H)}$	Pulse Width HIGH CP, MR	2.00		2.00		2.00		ns	Figures 3, 4

**Note 5:** The propagation delay specified is for single output switching. Delays may vary up to 250 ps with multiple outputs switching.

## SOIC and PLCC AC Electrical Characteristics

 $V_{EE} = -4.2V$  to  $-5.7V$ ,  $V_{CC} = V_{CCA} = GND$ 

Symbol	Parameter	$T_C = 0^\circ C$		$T_C = +25^\circ C$		$T_C = +85^\circ C$		Units	Conditions
		Min	Max	Min	Max	Min	Max		
$f_{SHIFT}$	Shift Frequency	350		350		350		MHz	Figures 2, 3
$t_{PLH}$ $t_{PHL}$	Propagation Delay CP to $Q_n$ , $\overline{Q}_n$	1.00	1.80	1.00	1.80	1.00	1.80	ns	Figures 1, 2 (Note 6)
$t_{PLH}$ $t_{PHL}$	Propagation Delay CP to $\overline{TC}$ (Shift)	2.10	3.30	2.10	3.30	2.10	3.50	ns	Figures 1, 7, 8 (Note 6)
$t_{PLH}$ $t_{PHL}$	Propagation Delay CP to $\overline{TC}$ (Count)	2.40	4.20	2.40	4.20	2.60	4.50	ns	Figures 1, 9 (Note 6)
$t_{PLH}$ $t_{PHL}$	Propagation Delay MR to $Q_n$ , $\overline{Q}_n$	1.40	2.30	1.40	2.30	1.50	2.40	ns	Figures 1, 4 (Note 6)
$t_{PLH}$ $t_{PHL}$	Propagation Delay MR to $\overline{TC}$ (Count)	2.80	4.90	2.90	5.00	3.10	5.30	ns	Figures 1, 12 (Note 6)
$t_{PLH}$ $t_{PHL}$	Propagation Delay MR to $\overline{TC}$ (Shift)	2.40	3.80	2.40	3.80	2.50	3.90	ns	Figures 1, 10, 11 (Note 6)
$t_{PLH}$ $t_{PHL}$	Propagation Delay $D_0/\overline{CET}$ to $\overline{TC}$	1.80	2.90	1.80	2.90	1.90	3.10	ns	Figures 1, 5 (Note 6)
$t_{PLH}$ $t_{PHL}$	Propagation Delay $S_n$ to $\overline{TC}$	1.90	3.90	1.90	3.90	2.10	4.20	ns	(Note 6)
$t_{TLH}$ $t_{THL}$	Transition Time 20% to 80%, 80% to 20%	0.35	1.10	0.35	1.10	0.35	1.10	ns	Figures 1, 3
$t_S$	Setup Time $D_3$ $P_n$ $D_0/\overline{CET}$ $\overline{CEP}$ $S_n$ MR (Release Time)	0.90 1.40 1.20 1.30 3.30 2.50		0.90 1.40 1.20 1.30 3.30 2.50		0.90 1.40 1.20 1.30 3.30 2.50		ns	Figures 4, 6
$t_H$	Hold Time $D_3$ $P_n$ $D_0/\overline{CET}$ $\overline{CEP}$ $S_n$	0.30 0.20 0.20 0.10 0.00		0.30 0.20 0.20 0.10 0.00		0.30 0.20 0.20 0.10 0.00		ns	Figure 6
$t_{PW(H)}$	Pulse Width HIGH CP, MR	2.00		2.00		2.00		ns	Figures 3, 4
$t_{OSHL}$	Maximum Skew Common Edge Output-to-Output Variation Clock to Output Path		200		200		200	ps	PLCC Only (Note 7)
$t_{OSLH}$	Maximum Skew Common Edge Output-to-Output Variation Clock to Output Path		200		200		200	ps	PLCC Only (Note 7)
$t_{OST}$	Maximum Skew Opposite Edge Output-to-Output Variation Clock to Output Path		230		230		230	ps	PLCC Only (Note 7)
$t_{PS}$	Maximum Skew Pin (Signal) Transition Variation Clock to Output Path		245		245		245	ps	PLCC Only (Note 7)

**Note 6:** The propagation delay specified is for single output switching. Delays may vary up to 250 ps with multiple outputs switching.

**Note 7:** Output-to-Output Skew is defined as the absolute value of the difference between the actual propagation delay for any outputs within the same packaged device. The specifications apply to any outputs switching in the same direction either HIGH-to-LOW ( $t_{OSHL}$ ), or LOW-to-HIGH ( $t_{OSLH}$ ), or in opposite directions both HL and LH ( $t_{OST}$ ). Parameters  $t_{OST}$  and  $t_{PS}$  guaranteed by design

## Industrial Version

### PLCC DC Electrical Characteristics (Note 8)

$V_{EE} = -4.2V$  to  $-5.7V$ ,  $V_{CC} = V_{CCA} = GND$ ,  $T_C = -40^\circ C$  to  $+85^\circ C$

Symbol	Parameter	$T_C = -40^\circ C$		$T_C = 0^\circ C$ to $+85^\circ C$		Units	Conditions	
		Min	Max	Min	Max			
$V_{OH}$	Output HIGH Voltage	-1085	-870	-1025	-870	mV	$V_{IN} = V_{IH} (Max)$	Loading with $50\Omega$ to $-2.0V$
$V_{OL}$	Output LOW Voltage	-1830	-1575	-1830	-1620	mV	or $V_{IL} (Min)$	
$V_{OHC}$	Output HIGH Voltage	-1095		-1035		mV	$V_{IN} = V_{IH} (Min)$	Loading with $50\Omega$ to $-2.0V$
$V_{OLC}$	Output LOW Voltage		-1565		-1610	mV	or $V_{IL} (Max)$	
$V_{IH}$	Input HIGH Voltage	-1170	-870	-1165	-870	mV	Guaranteed HIGH Signal for All Inputs	
$V_{IL}$	Input LOW Voltage	-1830	-1480	-1830	-1475	mV	Guaranteed LOW Signal for All Inputs	
$I_{IL}$	Input LOW Current	0.50		0.50		$\mu A$	$V_{IN} = V_{IL} (Min)$	
$I_{IH}$	Input HIGH Current	240		240		$\mu A$	$V_{IN} = V_{IH} (Max)$	
$I_{EE}$	Power Supply Current	-165	-75	-165	-80	mA	Inputs Open	

**Note 8:** The specified limits represent the "worst case" value for the parameter. Since these values normally occur at the temperature extremes, additional noise immunity and guardbanding can be achieved by decreasing the allowable system operating ranges. Conditions for testing shown in the tables are chosen to guarantee operation under "worst case" conditions.

### PLCC AC Electrical Characteristics

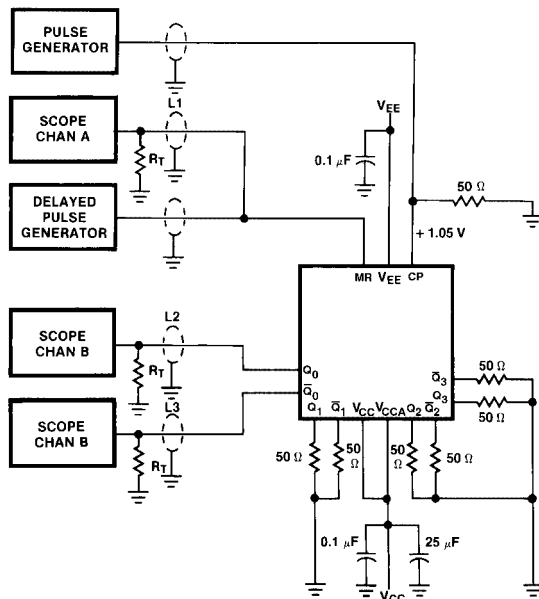
$V_{EE} = -4.2V$  to  $-5.7V$ ,  $V_{CC} = V_{CCA} = GND$

Symbol	Parameter	$T_C = -40^\circ C$		$T_C = +25^\circ C$		$T_C = +85^\circ C$		Units	Conditions
		Min	Max	Min	Max	Min	Max		
$f_{SHIFT}$	Shift Frequency	325		350		350		MHz	Figures 2, 3
$t_{PLH}$	Propagation Delay	1.00	1.80	1.00	1.80	1.00	1.80	ns	Figures 1, 3 (Note 9)
$t_{PHL}$	CP to $Q_n$ , $\overline{Q}_n$								
$t_{PLH}$	Propagation Delay	2.00	3.30	2.10	3.30	2.10	3.50	ns	Figures 1, 7, 8 (Note 9)
$t_{PHL}$	CP to $\overline{TC}$ (Shift)								
$t_{PLH}$	Propagation Delay	2.40	4.20	2.40	4.20	2.60	4.50	ns	Figures 1, 9 (Note 9)
$t_{PHL}$	CP to $\overline{TC}$ (Count)								
$t_{PLH}$	Propagation Delay	1.40	2.30	1.40	2.30	1.50	2.40	ns	Figures 1, 4 (Note 9)
$t_{PHL}$	MR to $Q_n$ , $\overline{Q}_n$								
$t_{PLH}$	Propagation Delay	2.80	4.90	2.90	5.00	3.10	5.30	ns	Figures 1, 12 (Note 9)
$t_{PHL}$	MR to $\overline{TC}$ (Count)								
$t_{PHL}$	Propagation Delay	2.40	3.80	2.40	3.80	2.50	3.90	ns	Figures 1, 10, 11 (Note 9)
$t_{PHL}$	MR to $\overline{TC}$ (Shift)								
$t_{PLH}$	Propagation Delay	1.70	2.90	1.80	2.90	1.90	3.10	ns	Figures 1, 5 (Note 9)
$t_{PHL}$	$D_0/CET$ to $\overline{TC}$								
$t_{PLH}$	Propagation Delay	1.80	3.90	1.90	3.90	2.10	4.20	ns	
$t_{PHL}$	$S_n$ to $\overline{TC}$								
$t_{TLH}$	Transition Time	0.20	1.90	0.35	1.10	0.35	1.10	ns	Figures 1, 3
$t_{THL}$	20% to 80%, 80% to 20%								
$t_s$	Setup Time							ns	Figure 6
	$D_3$	1.40		0.90		0.90			
	$P_n$	1.70		1.40		1.40			
	$D_0/CET$	1.80		1.20		1.20			
	$\overline{CEP}$	1.80		1.30		1.30			
	$S_n$	3.30		3.30		3.30			
	MR (Release Time)	2.60		2.50		2.50			
$t_H$	Hold Time							ns	Figure 6
	$D_3$	0.90		0.30		0.30			
	$P_n$	1.00		0.20		0.20			
	$D_0/CET$	0.70		0.20		0.20			
	$\overline{CEP}$	0.60		0.10		0.10			
	$S_n$	0.00		0.00		0.00			
$t_{PW(H)}$	Pulse Width HIGH CP, MR	2.20		2.00		2.00		ns	Figures 3, 4

**Note 9:** The propagation delay specified is for single output switching. Delays may vary up to 250 ps with multiple outputs switching.



Test Circuitry



Notes:

$V_{CC}, V_{CCA} = +2V, V_{EE} = -2.5V$

L1, L2 and L3 = equal length 50Ω impedance lines

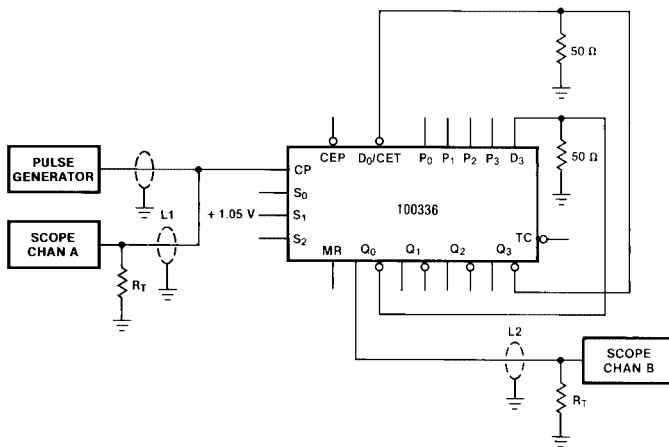
$R_T = 50\Omega$  terminator internal to scope

Decoupling 0.1 μF from GND to  $V_{CC}$  and  $V_{EE}$

All unused outputs are loaded with 50Ω to GND

$C_L$  = Fixture and stray capacitance  $\leq 3$  pF

FIGURE 1. AC Test Circuit



Notes:

For shift right mode, +1.05V is applied at  $S_0$ .

The feedback path from output to input should be as short as possible.

FIGURE 2. Shift Frequency Test Circuit (Shift Left)

### Switching Waveforms

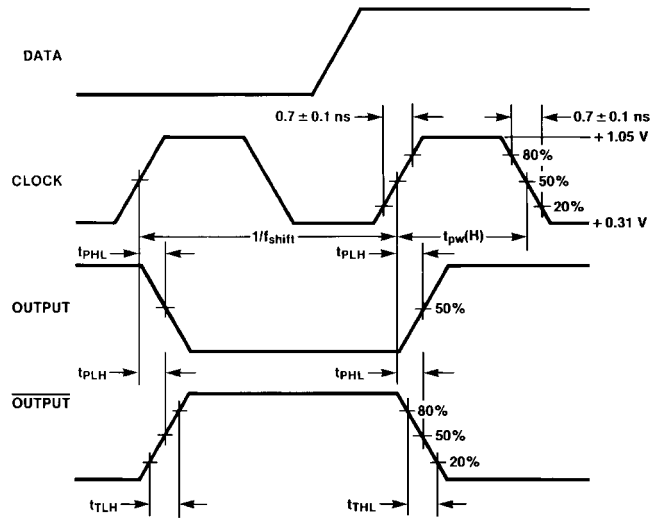


FIGURE 3. Propagation Delay (Clock) and Transition Times

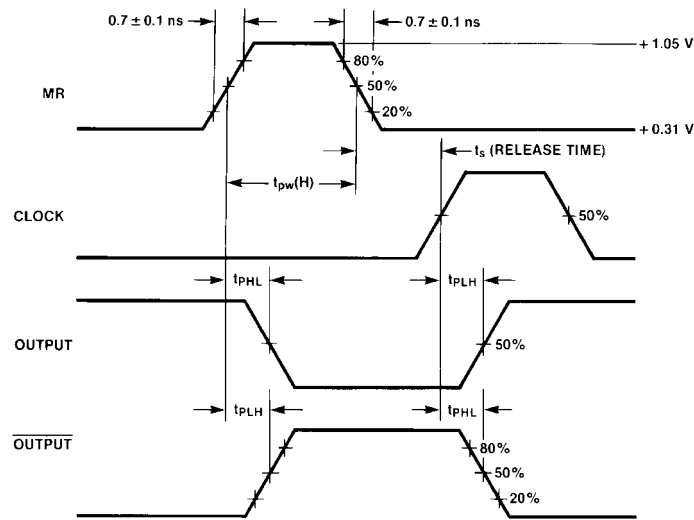


FIGURE 4. Propagation Delay (Reset)

Switching Waveforms (Continued)

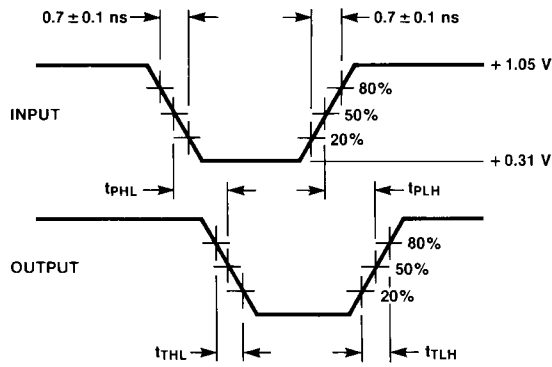
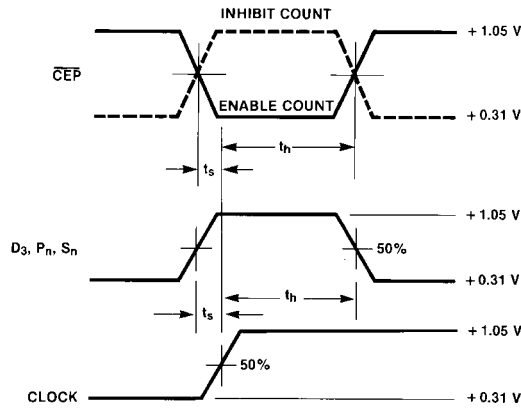


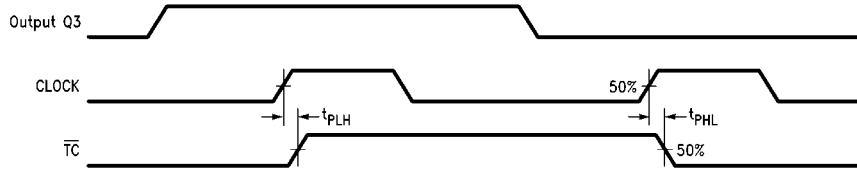
FIGURE 5. Propagation Delay (Serial Data, Selects)



Notes:

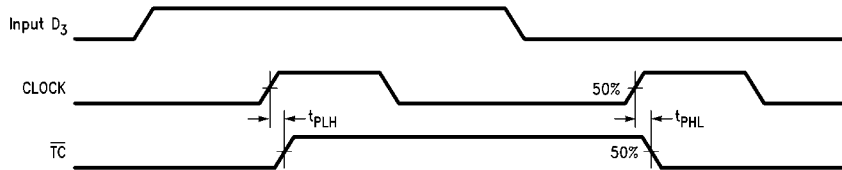
$t_s$  is the minimum time before the transition of the clock that information must be present at the data input.  
 $t_h$  is the minimum time after the transition of the clock that information must remain unchanged at the data input.

FIGURE 6. Setup and Hold Time



Note: Shift Right Mode;  $S_0 = H, S_1 = H, S_2 = L$ .

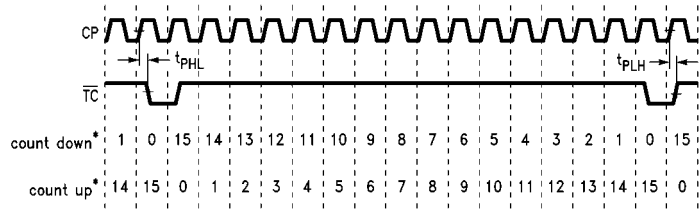
FIGURE 7. Propagation Delay, Clock to Terminal Count (Shift Right Mode)



Note: Shift Left Mode;  $S_0 = L, S_1 = H, S_2 = L$ .

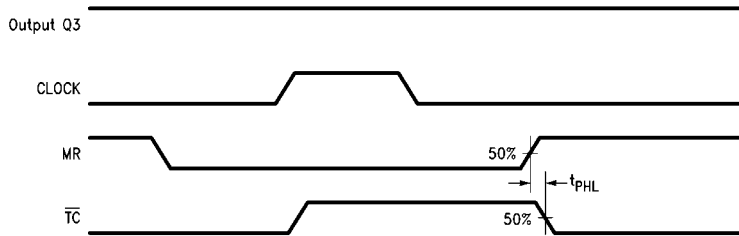
FIGURE 8. Propagation Delay, Clock to Terminal Count (Shift Left Mode)

Switching Waveforms (Continued)



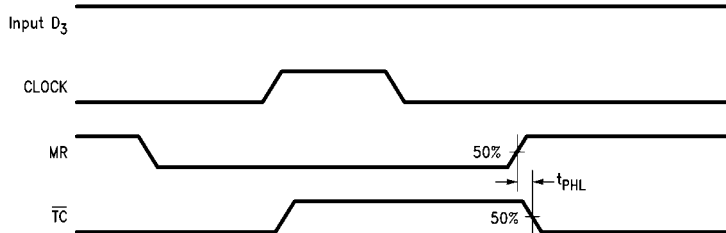
Note:  
 \*Decimal representation of binary outputs.  
 Count Up:  $S_0 = L, S_1 = H, S_2 = H$ ; Count Down:  $S_0 = L, S_1 = L, S_2 = H$ .  
 Measurement taken at 50% point of waveform.

FIGURE 9. Propagation Delay, Clock to Terminal Count (Count Up and Count Down Modes)



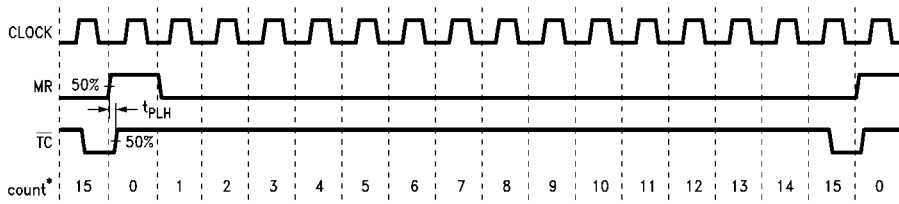
Note: Shift Right Mode;  $S_0 = H, S_1 = H, S_2 = L$ .

FIGURE 10. Propagation Delay, Master Reset to Terminal Count (Shift Right Mode)

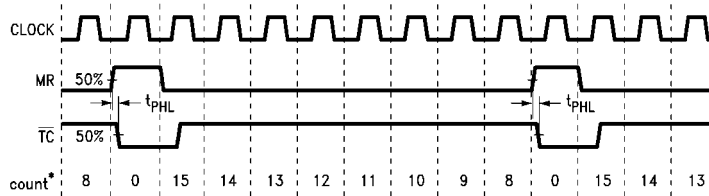


Note: Shift Left Mode;  $S_0 = L, S_1 = H, S_2 = L$ .

FIGURE 11. Propagation Delay, Master Reset to Terminal Count (Shift Left Mode)



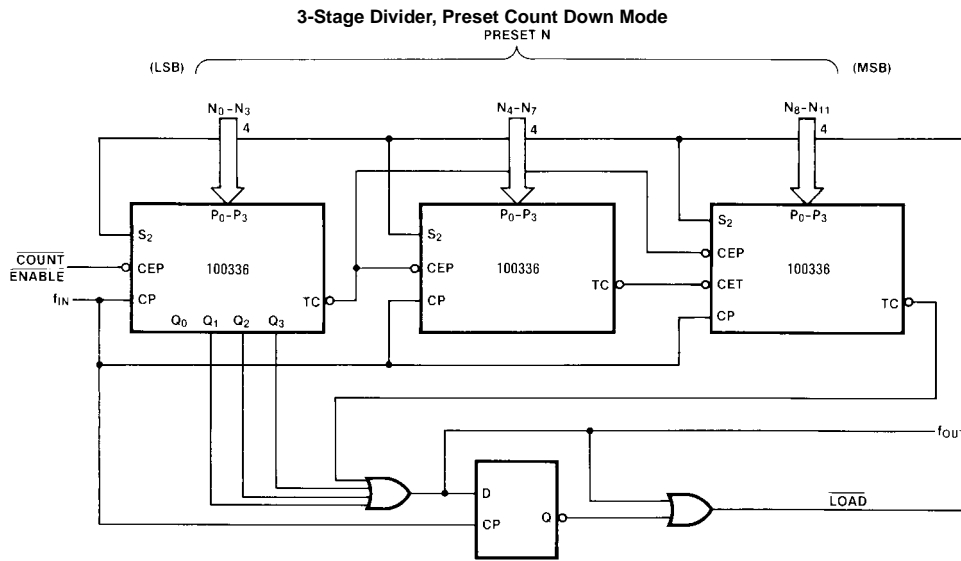
Note:  
 \*Decimal representation of binary outputs. Count Up Mode:  $S_0 = L, S_1 = H, S_2 = H$ .



Note:  
 \*Decimal representation of binary outputs. Count Down Mode:  $S_0 = L, S_1 = L, S_2 = H$ .

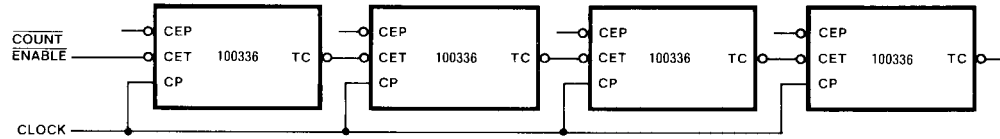
FIGURE 12. Propagation Delay, Master Reset to Terminal Count (Count Up and Count Down Modes)

## Applications

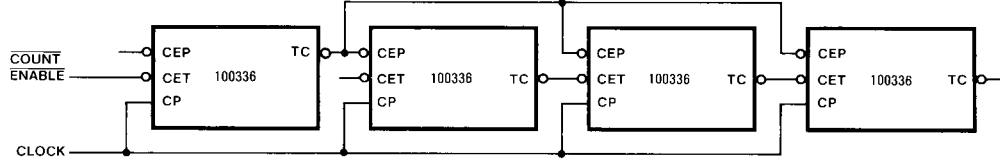


Note: If  $S_0 = S_1 = S_2 = \text{LOW}$ , then  $T_C = \text{LOW}$

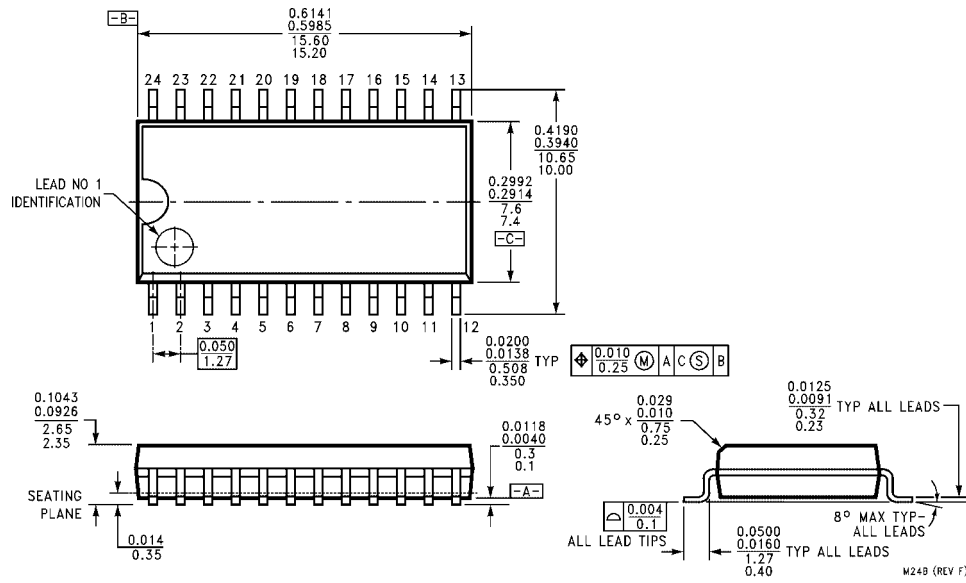
### Slow Expansion Scheme



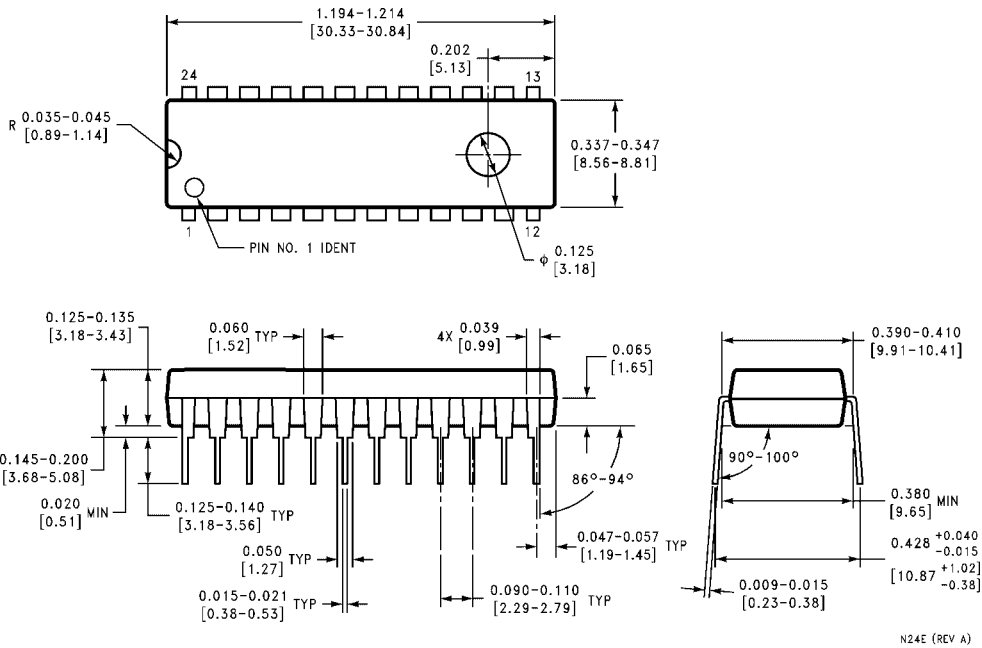
### Fast Expansion Scheme



**Physical Dimensions** inches (millimeters) unless otherwise noted

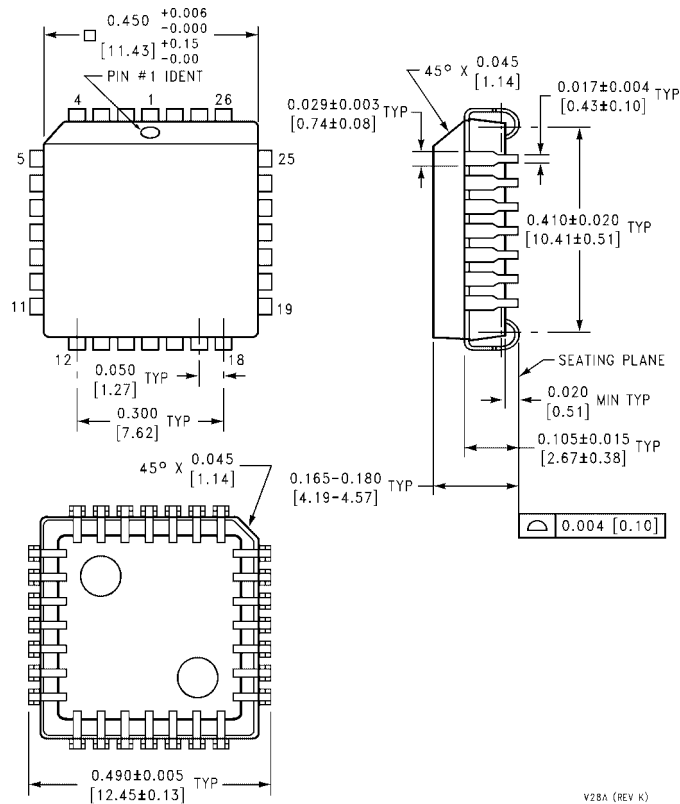


**24-Lead Small Outline Integrated Circuit (SOIC), JEDEC MS-013, 0.300 Wide  
Package Number M24B**



**24-Lead Plastic Dual-In-Line Package (PDIP), JEDEC MS-010, 0.400 Wide  
Package Number N24E**

**Physical Dimensions** inches (millimeters) unless otherwise noted (Continued)



**28-Lead Plastic Lead Chip Carrier (PLCC), JEDEC MO-047, 0.450 Square Package Number V28A**

V28A (REV K)

Fairchild does not assume any responsibility for use of any circuitry described, no circuit patent licenses are implied and Fairchild reserves the right at any time without notice to change said circuitry and specifications.

**LIFE SUPPORT POLICY**

FAIRCHILD'S PRODUCTS ARE NOT AUTHORIZED FOR USE AS CRITICAL COMPONENTS IN LIFE SUPPORT DEVICES OR SYSTEMS WITHOUT THE EXPRESS WRITTEN APPROVAL OF THE PRESIDENT OF FAIRCHILD SEMICONDUCTOR CORPORATION. As used herein:

1. Life support devices or systems are devices or systems which, (a) are intended for surgical implant into the body, or (b) support or sustain life, and (c) whose failure to perform when properly used in accordance with instructions for use provided in the labeling, can be reasonably expected to result in a significant injury to the user.
2. A critical component in any component of a life support device or system whose failure to perform can be reasonably expected to cause the failure of the life support device or system, or to affect its safety or effectiveness.

[www.fairchildsemi.com](http://www.fairchildsemi.com)