

## 阅读申明

- 1.本站收集的数据手册和产品资料都来自互联网，版权归原作者所有。如读者和版权方有任何异议请及时告之，我们将妥善解决。
- 2.本站提供的中文数据手册是英文数据手册的中文翻译，其目的是协助用户阅读，该译文无法自动跟随原稿更新，同时也可能存在翻译上的不当。建议读者以英文原稿为参考以便获得更精准的信息。
- 3.本站提供的产品资料，来自厂商的技术支持或者使用者的心得体会等，其内容可能存在描述上的差异，建议读者做出适当判断。
- 4.如需与我们联系，请发邮件到marketing@iczoom.com，主题请标有“数据手册”字样。

## Read Statement

1. The datasheets and other product information on the site are all from network reference or other public materials, and the copyright belongs to the original author and original published source. If readers and copyright owners have any objections, please contact us and we will deal with it in a timely manner.
2. The Chinese datasheets provided on the website is a Chinese translation of the English datasheets. Its purpose is for reader's learning exchange only and do not involve commercial purposes. The translation cannot be automatically updated with the original manuscript, and there may also be improper translations. Readers are advised to use the English manuscript as a reference for more accurate information.
3. All product information provided on the website refer to solutions from manufacturers' technical support or users the contents may have differences in description, and readers are advised to take the original article as the standard.
4. If you have any questions, please contact us at marketing@iczoom.com and mark the subject with "Datasheets" .

**PRODUCT BRIEF:**

Logic :: Texas Instruments  
www.logicpd.com/ti

## OMAP35x SOM-LV System on Module

**:: SUPPORTED PROCESSORS:**

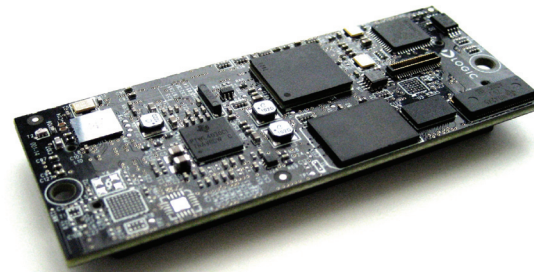
OMAP3530  
OMAP3503

**The OMAP35x System on Module (SOM) is a compact, product-ready hardware and software solution that fast forwards embedded designs.**

Based on Texas Instruments' OMAP™ 3 processor family and designed in the SOM-LV Type III form factor, the OMAP35x module offers essential features for handheld and embedded networking applications. The OMAP35x SOM-LV features the superset OMAP3530 processor, but also supports the OMAP3503 processor.

The SOM-LV is an off-the-shelf solution that reduces development risks associated with the complex design and manufacturing details of the OMAP 3 processor. The standard SOM-LV form factor allows developers to reuse existing baseboard designs when upgrading to new OMAP processors, which extends roadmap possibilities for their end-product.

By starting with the corresponding Zoom™ OMAP35x Development Kit, engineers can write application software on the same hardware that will be used in the final product.



OMAP35x SOM-LV

The OMAP35x SOM-LV is ideal for applications in the medical, point-of-sale, industrial, and security markets. From patient monitoring and medical imaging, to card payment terminals and bar code readers, to CCTV cameras and intruder alarms, the OMAP35x SOM-LV allows for powerful versatility and long-life products.

**OMAP35x SOM-LV :: HIGHLIGHTS:**

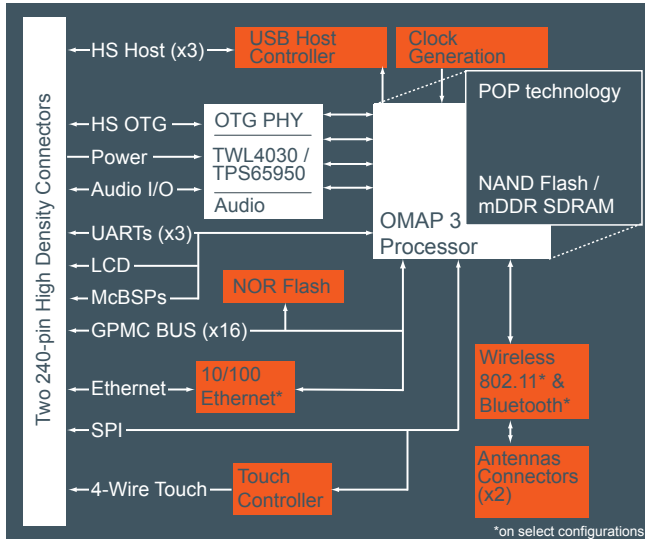
- +Product-ready System on Module with a TI OMAP 3 processor running up to 600 MHz
- +Compact form factor—SOM-LV Type III (31.2 x 76.5 x 7.4 mm)
- +Long product lifecycle
- +Microsoft Windows® Embedded CE 6.0 Board Support Packages (BSPs)
- +Open source Linux™ BSP
- +0°C to 70°C (commercial temp)  
-20°C to 85°C (extended temp)  
-40°C to 85°C (industrial temp)
- +RoHS compliant

**ZOOM DEVELOPMENT KIT :: FEATURES:**

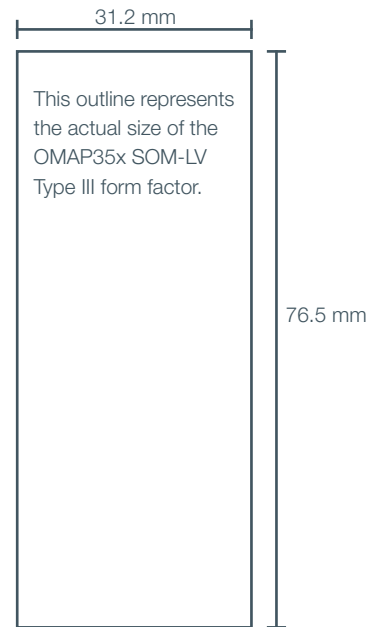
- +Application baseboard
- +OMAP35x SOM-LV
- +4.3" WQVGA LCD with 4-wire touchscreen
- +Necessary accessories to immediately get up and running
- +See Zoom OMAP35x Development Kit product brief for more information



## OMAP35x SOM-LV Block Diagram



(Block diagram is not drawn to scale. For reference purposes only.)



## Product Features

### Processor

+TI OMAP 3 processor running up to 600 MHz

### Memory

+ Mobile DDR / NAND flash (PoP technology)  
128 MB / 256 MB (standard)  
+ The following DDR / NAND memory densities are available for custom configurations  
256 MB / 256 MB  
256 MB / 512 MB  
128 MB / 0 MB  
256 MB / 0 MB  
512 MB / 0 MB

### Display

+ Programmable color LCD controller supports up to a 24 bpp TFT interface  
+ Hardware supports XGA 1024x768 at 24-bit color

### Touchscreen

+ Integrated 4-wire touchscreen controller (TSC2004)

### Network Support

+ 10/100 Base-T Ethernet controller  
+ 802.11b/g wireless Ethernet  
+ Bluetooth 2.0 + EDR

### Audio

+ I2S compliant audio codec (16-bit stereo DAC, 13-bit ADC)

### PC Card Expansion

+ CompactFlash Type I card (memory-mode only)  
+ MMC/SD card support

### USB

+ One USB 2.0 high-speed host interface  
+ One USB 2.0 high-speed On-the-Go interface

### Serial Ports

+ Three external UARTs

### GPIO

+ Programmable I/O depending on peripheral requirements

### Software

+ LogicLoader™ (bootloader/monitor)  
+ Windows® Embedded CE 6.0 BSP  
+ Open source Linux™ BSP

### Mechanical

+ SOM-LV Type III form factor  
+ 31.2 mm wide x 76.5 mm long x 7.4 mm high

### RoHS Compliant

## OMAP35x SOM-LV Ordering Information

Model Number	mDDR (MB)	NAND Flash (MB)	NOR Flash (MB)	Wired Ethernet	802.11b/g Ethernet	Bluetooth	Temp. (°C)
SOMOMAP3503-10-1670HFCR	128	256	0	Y	N	N	0°–70°
SOMOMAP3503-10-1672IFCR	128	256	8	Y	Y	Y	0°–70°
SOMOMAP3530-10-1670EFCR	128	256	0	N	N	N	0°–70°
SOMOMAP3530-10-1672IFCR	128	256	8	Y	Y	Y	0°–70°
SOMOMAP3530-10-1672IFXR	128	256	8	Y	Y	Y	-20°–85°
SOMOMAP3530-10-1672JFIR	128	256	8	Y	N	Y	-40°–85°

NOTE: Custom configurations are available by special order. Please contact Logic Sales for details: [product.sales@logicpd.com](mailto:product.sales@logicpd.com).

## Zoom™ OMAP35x Development Kit Ordering Information

Model Number	SOM-LV Configuration
TMDSMEVM3530-L	SOMOMAP3530-10-1672IFCR

NOTE: Zoom OMAP35x Development Kits are available through Logic and Texas Instruments distributors.



411 N. Washington Ave. Suite 400 Minneapolis, MN 55401  
T : 612.672.9495 F : 612.672.9489 I : [www.logicpd.com](http://www.logicpd.com)



+ For more information contact Logic Sales : [product.sales@logicpd.com](mailto:product.sales@logicpd.com)  
© 2009 Logic Product Development Company. All rights reserved. PN: 1009584 Rev G