

## 阅读申明

- 1.本站收集的数据手册和产品资料都来自互联网，版权归原作者所有。如读者和版权方有任何异议请及时告之，我们将妥善解决。
- 2.本站提供的中文数据手册是英文数据手册的中文翻译，其目的是协助用户阅读，该译文无法自动跟随原稿更新，同时也可能存在翻译上的不当。建议读者以英文原稿为参考以便获得更精准的信息。
- 3.本站提供的产品资料，来自厂商的技术支持或者使用者的心得体会等，其内容可能存在描述上的差异，建议读者做出适当判断。
- 4.如需与我们联系，请发邮件到marketing@iczoom.com，主题请标有“数据手册”字样。

## Read Statement

1. The datasheets and other product information on the site are all from network reference or other public materials, and the copyright belongs to the original author and original published source. If readers and copyright owners have any objections, please contact us and we will deal with it in a timely manner.
2. The Chinese datasheets provided on the website is a Chinese translation of the English datasheets. Its purpose is for reader's learning exchange only and do not involve commercial purposes. The translation cannot be automatically updated with the original manuscript, and there may also be improper translations. Readers are advised to use the English manuscript as a reference for more accurate information.
3. All product information provided on the website refer to solutions from manufacturers' technical support or users the contents may have differences in description, and readers are advised to take the original article as the standard.
4. If you have any questions, please contact us at marketing@iczoom.com and mark the subject with "Datasheets" .

## 100LVEL16 3.3V ECL Differential Receiver

### General Description

The 100LVEL16 is a low voltage differential receiver that contains an internally supplied voltage source,  $V_{BB}$ . When used in a single ended input condition the unused input must be tied to  $V_{BB}$ . When operating in this mode use a 0.01  $\mu$ F capacitor to decouple  $V_{BB}$  and  $V_{CC}$  and also limit the current sinking or sourcing capability to 0.5mA. When  $V_{BB}$  is not used it should be left open.

With inputs open the differential Q outputs default LOW and  $\bar{Q}$  outputs default HIGH.

The 100 series is temperature compensated.

### Features

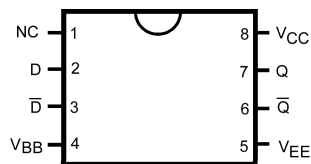
- Typical propagation delay of 300 ps
- Typical  $I_{EE}$  of 17 mA
- Internal pull-down resistors on D
- Fairchild MSOP-8 package is a drop-in replacement to ON TSSOP-8
- Meets or exceeds JEDEC specification EIA/JESD78 IC latch-up test
- Moisture Sensitivity Level 1
- ESD Performance:
  - Human Body Model > 2000V
  - Machine Model > 150V

### Ordering Code:

Order Number	Package Number	Product Code Top Mark	Package Description
100LVEL16M	M08A	KVL16	8-Lead Small Outline Integrated Circuit (SOIC), JEDEC MS-012, 0.150" Narrow
100LVEL16M8 (Preliminary)	MA08D	KV16	8-Lead Molded Small Outline Package (MSOP), JEDEC MO-187, 3.0mm Wide

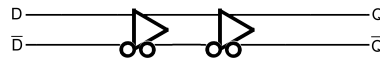
Devices also available in Tape and Reel. Specify by appending suffix letter "X" to the ordering code.

### Connection Diagram



Top View

### Logic Diagram



### Pin Descriptions

Pin Name	Description
Q, $\bar{Q}$	ECL Data Outputs
D, $\bar{D}$	ECL Data Inputs
$V_{BB}$	Reference Voltage
$V_{CC}$	Positive Supply
$V_{EE}$	Negative Supply
NC	No Connect

**Absolute Maximum Ratings** (Note 1)

PECL Supply Voltage ( $V_{CC}$ ) $V_{EE} = 0V$	0.0V to +8.0V
NECL Supply Voltage ( $V_{EE}$ ) $V_{CC} = 0V$	0.0V to -8.0V
PECL DC Input Voltage ( $V_i$ ) $V_{EE} = 0V$	0.0V to +6.0V
NECL DC Input Voltage ( $V_i$ ) $V_{CC} = 0V$	0.0V to -6.0V
DC Output Current ( $I_{OUT}$ )	
Continuous	50 mA
Surge	100 mA
$V_{BB}$ Sink/Source Current ( $I_{BB}$ )	$\pm 0.5$ mA
Storage Temperature ( $T_{STG}$ )	-65°C to +150°C

**Recommended Operating Conditions**

PECL Power Supply	$V_{CC} = 3.0V$ to $3.8V$
( $V_{EE} = 0V$ )	
NECL Power Supply	$V_{EE} = -3.8V$ to $-3.0V$
( $V_{CC} = 0V$ )	
Free Air Operating Temperature ( $T_A$ )	-40°C to +85°C

**Note 1:** The "Absolute Maximum Ratings" are those values beyond which the safety of the device cannot be guaranteed. The device should not be operated at these limits. The parametric values defined in the Electrical Characteristics tables are not guaranteed at the absolute maximum rating. The "Recommended Operating Conditions" table will define the conditions for actual device operation.

**LVPECL DC Electrical Characteristics**  $V_{CC} = 3.3V$ ;  $V_{EE} = 0.0V$  (Note 2)

Symbol	Parameter	-40°C			25°C			85°C			Units
		Min	Typ	Max	Min	Typ	Max	Min	Typ	Max	
$I_{EE}$	Power Supply Current		17	23		17	23		18	24	mA
$V_{OH}$	Output HIGH Voltage (Note 3)	2215	2295	2420	2275	2345	2420	2275	2345	2420	mV
$V_{OL}$	Output LOW Voltage (Note 3)	1470	1605	1745	1490	1595	1680	1490	1595	1680	mV
$V_{IH}$	Input HIGH Voltage (Single Ended)	2135		2420	2135		2420	2135		2420	mV
$V_{iL}$	Input LOW Voltage (Single Ended)	1490		1825	1490		1825	1490		1825	mV
$V_{BB}$	Output Voltage Reference	1.92		2.04	1.92		2.04	1.92		2.04	V
$V_{IHCMR}$	Input HIGH Voltage Common Mode Range (Differential) (Note 4)										
	$V_{PP} < 500mV$	1.2		2.9	1.1		2.9	1.1		2.9	V
	$V_{PP} \geq 500mV$	1.5		2.9	1.4		2.9	1.4		2.9	V
$I_{IH}$	Input HIGH Current (Note 5)			150			150			150	$\mu A$
$I_{iL}$	Input LOW Current (Note 5)		D -600		0.5 -600			0.5 -600			$\mu A$

**Note 2:** Input and output parameters vary 1 to 1 with  $V_{CC}$ .  $V_{EE}$  can vary  $\pm 0.3V$ .

**Note 3:** Outputs are terminated through a 50 $\Omega$  Resistor to  $V_{CC} - 2.0V$ .

**Note 4:**  $V_{IHCMR}$  minimum varies 1 to 1 with  $V_{EE}$ .  $V_{IHCMR}$  maximum varies 1 to 1 with  $V_{CC}$ . The  $V_{IHCMR}$  range is referenced to the most positive side of the differential input signal. Normal operation is obtained if the HIGH level falls within the specified range and the peak-to-peak voltage lies between  $V_{PPMIN}$  and 1V.

**Note 5:** Absolute value of the input HIGH and LOW current should not exceed the absolute value of the stated Min or Max specification.

**Note:** Devices are designed to meet the DC specifications after thermal equilibrium has been established. Circuit is tested with air flow greater than 500LFPM maintained.

**LVNECL DC Electrical Characteristics**  $V_{CC} = 0.0V$ ;  $V_{EE} = -3.3V$  (Note 6)

Symbol	Parameter	-40°C			25°C			85°C			Units
		Min	Typ	Max	Min	Typ	Max	Min	Typ	Max	
$I_{EE}$	Power Supply Current		17	23		17	23		18	24	mA
$V_{OH}$	Output HIGH Voltage (Note 7)	-1085	-1005	-880	-1025	-955	-880	-1025	-955	-880	mV
$V_{OL}$	Output LOW Voltage (Note 7)	-1830	-1695	-1555	-1810	-1705	-1620	-1810	-1705	-1620	mV
$V_{IH}$	Input HIGH Voltage (Single Ended)	-1165		-880	-1165		-880	-1165		-880	mV
$V_{IL}$	Input LOW Voltage (Single Ended)	-1810		-1475	-1810		-1475	-1810		-1475	mV
$V_{BB}$	Output Voltage Reference	-1.38		-1.26	-1.38		-1.26	-1.38		-1.26	V
$V_{IHCMR}$	Input HIGH Voltage Common Mode Range (Differential) (Note 8)										V
	$V_{PP} < 500mV$	-2.5		-0.4	-2.5		-0.4	-2.5		-0.4	
	$V_{PP} \geq 500mV$	-1.8		-0.4	-1.9		-0.4	-1.9		-0.4	
$I_{IH}$	Input HIGH Current			150			150			150	$\mu A$
$I_{IL}$	Input LOW Current	$\overline{D}$	0.5		0.5			0.5			$\mu A$
		$\overline{D}$	-600		-600			-600			$\mu A$

**Note 6:** Input and output parameters vary 1 to 1 with  $V_{CC}$ .  $V_{EE}$  can vary  $\pm 0.3V$ .

**Note 7:** Outputs are terminated through a 50 $\Omega$  Resistor to  $V_{CC} - 2.0V$ .

**Note 8:**  $V_{IHCMR}$  minimum varies 1 to 1 with  $V_{EE}$ .  $V_{IHCMR}$  maximum varies 1-to-1 with  $V_{CC}$ . The  $V_{IHCMR}$  range is referenced to the most positive side of the differential input signal. Normal operation is obtained if the HIGH level falls within the specified range and the peak-to-peak voltage lies between  $V_{PPMIN}$  and 1V.

**Note 9:** Absolute value of the input HIGH and LOW current should not exceed the absolute value of the stated Min or Max specification.

**Note:** Devices are designed to meet the DC specifications after thermal equilibrium has been established. Circuit is tested with air flow greater than 500LFPM maintained.

**100LVEL16 AC Electrical Characteristics**  $V_{CC} = 3.3V$ ;  $V_{EE} = 0.0V$  or  $V_{CC} = 0.0V$ ;  $V_{EE} = -3.3V$  (Note 10) (Note 11)

Symbol	Parameter	-40°C			25°C			85°C			Units	Figure Number
		Min	Typ	Max	Min	Typ	Max	Min	Typ	Max		
$f_{MAX}$	Maximum Toggle Frequency										GHz	
$t_{PLH}$ , $t_{PHL}$	Propagation Delay to Output (Diff) (SE)	150	275	400	225	300	375	240	315	390	ps	Figures 1, 3
$t_{SKEW}$	Duty Cycle Skew (Note 12)		5	30		5	20		5	20	ps	
$t_{JITTER}$	Cycle-to-Cycle Jitter			TBD			TBD			TBD	ps	
$V_{PP}$	Input Swing	150		1000	150		1000	150		1000	mV	Figure 1
$t_r$ , $t_f$	Output Rise Times Q (20% to 80%)	120	220	320	120	220	320	120	220	320	ps	Figure 2

**Note 10:**  $V_{EE}$  can vary  $\pm 0.3V$ .

**Note 11:** Measured using a 750 mV input swing centered at  $V_{CC} - 1.32V$ ; 50% duty cycle clock source;  $t_r = t_f = 250$  ps (20% - 80%) at  $f_{IN} = 1$  MHz. All loading with 50 $\Omega$  to  $V_{CC} - 2.0V$ .

**Note 12:** Duty cycle skew is the difference between a  $t_{PLH}$  and  $t_{PHL}$  propagation delay through a device under identical conditions.

### Switching Waveforms

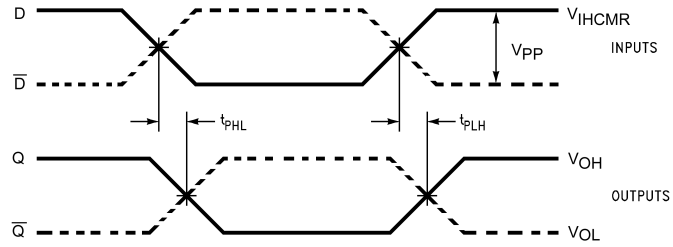


FIGURE 1. Differential to Differential Propagation Delay

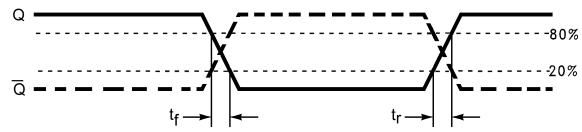


FIGURE 2. Differential Output Edge Rates

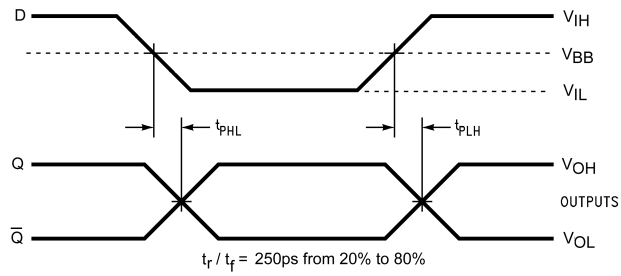
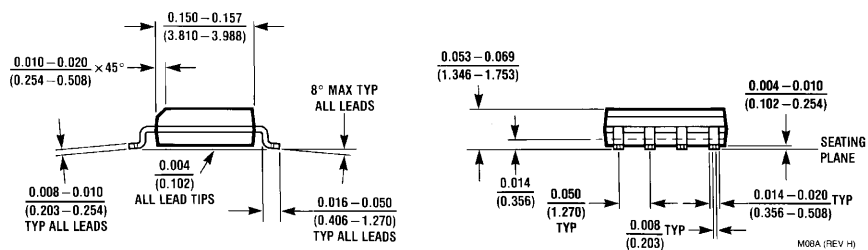
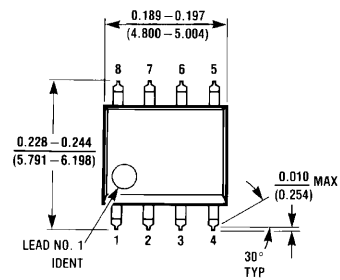


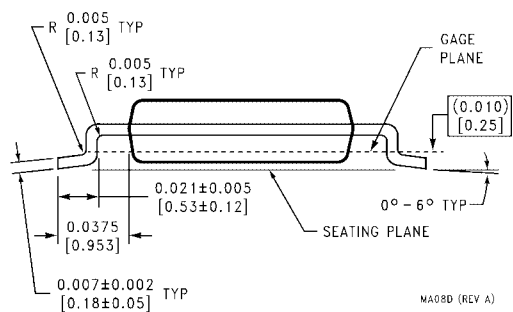
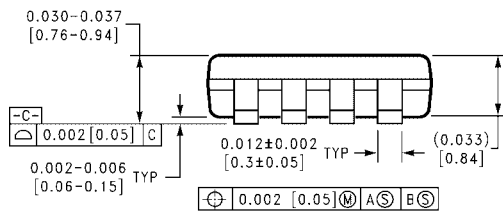
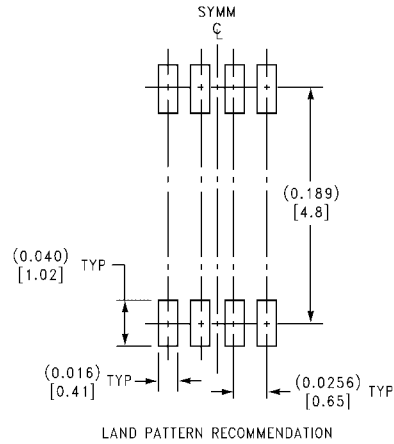
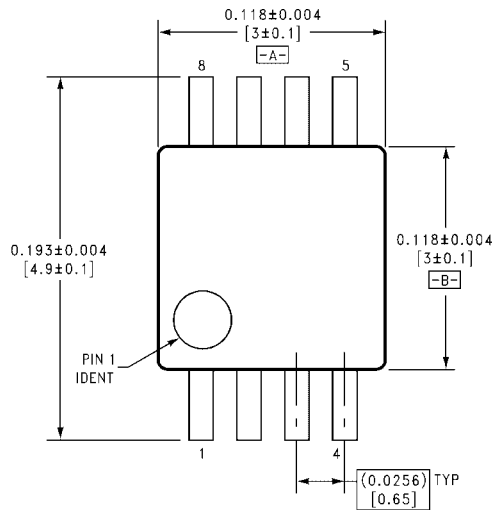
FIGURE 3. Single Ended to Differential Propagation Delay

**Physical Dimensions** inches (millimeters) unless otherwise noted



**8-Lead Small Outline Integrated Circuit (SOIC), JEDEC MS-012, 0.150" Narrow  
Package Number M08A**

**Physical Dimensions** inches (millimeters) unless otherwise noted (Continued)



**8-Lead Molded Small Outline Package (MSOP), JEDEC MO-187, 3.0mm Wide  
Package Number MA08D**

Fairchild does not assume any responsibility for use of any circuitry described, no circuit patent licenses are implied and Fairchild reserves the right at any time without notice to change said circuitry and specifications.

**LIFE SUPPORT POLICY**

FAIRCHILD'S PRODUCTS ARE NOT AUTHORIZED FOR USE AS CRITICAL COMPONENTS IN LIFE SUPPORT DEVICES OR SYSTEMS WITHOUT THE EXPRESS WRITTEN APPROVAL OF THE PRESIDENT OF FAIRCHILD SEMICONDUCTOR CORPORATION. As used herein:

1. Life support devices or systems are devices or systems which, (a) are intended for surgical implant into the body, or (b) support or sustain life, and (c) whose failure to perform when properly used in accordance with instructions for use provided in the labeling, can be reasonably expected to result in a significant injury to the user.
2. A critical component in any component of a life support device or system whose failure to perform can be reasonably expected to cause the failure of the life support device or system, or to affect its safety or effectiveness.

[www.fairchildsemi.com](http://www.fairchildsemi.com)