

阅读申明

- 1.本站收集的数据手册和产品资料都来自互联网，版权归原作者所有。如读者和版权方有任何异议请及时告之，我们将妥善解决。
- 2.本站提供的中文数据手册是英文数据手册的中文翻译，其目的是协助用户阅读，该译文无法自动跟随原稿更新，同时也可能存在翻译上的不当。建议读者以英文原稿为参考以便获得更精准的信息。
- 3.本站提供的产品资料，来自厂商的技术支持或者使用者的心得体会等，其内容可能存在描述上的差异，建议读者做出适当判断。
- 4.如需与我们联系，请发邮件到marketing@iczoom.com，主题请标有“数据手册”字样。

Read Statement

1. The datasheets and other product information on the site are all from network reference or other public materials, and the copyright belongs to the original author and original published source. If readers and copyright owners have any objections, please contact us and we will deal with it in a timely manner.
2. The Chinese datasheets provided on the website is a Chinese translation of the English datasheets. Its purpose is for reader's learning exchange only and do not involve commercial purposes. The translation cannot be automatically updated with the original manuscript, and there may also be improper translations. Readers are advised to use the English manuscript as a reference for more accurate information.
3. All product information provided on the website refer to solutions from manufacturers' technical support or users the contents may have differences in description, and readers are advised to take the original article as the standard.
4. If you have any questions, please contact us at marketing@iczoom.com and mark the subject with "Datasheets" .

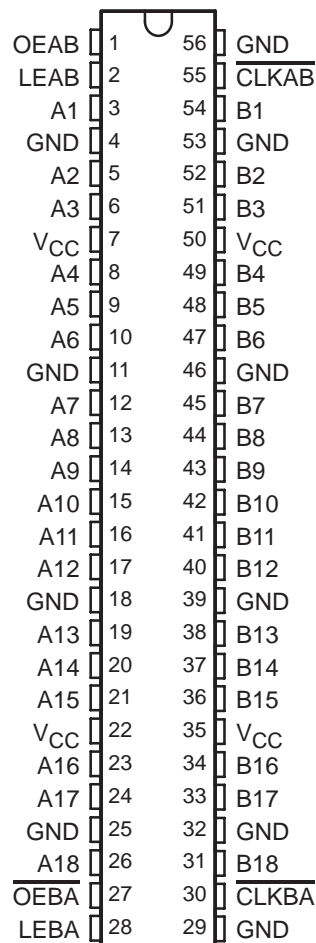
SN74LVTH16500-EP

3.3-V ABT 18-BIT UNIVERSAL BUS TRANSCEIVER WITH 3-STATE OUTPUTS

SCBS783 – NOVEMBER 2003

- **Controlled Baseline**
 - One Assembly/Test Site, One Fabrication Site
- **Enhanced Diminishing Manufacturing Sources (DMS) Support**
- **Enhanced Product-Change Notification**
- **Qualification Pedigree†**
- **Member of the Texas Instruments Widebus™ Family**
- **UBT™ Transceivers Combine D-Type Latches and D-Type Flip-Flops for Operation in Transparent, Latched, or Clocked Mode**
- **Supports Mixed-Mode Signal Operation (5-V Input and Output Voltages With 3.3-V V_{CC})**
- **Supports Unregulated Battery Operation Down To 2.7 V**
- **Typical V_{OLP} (Output Ground Bounce) <0.8 V at V_{CC} = 3.3 V, T_A = 25°C**
- **I_{off} and Power-Up 3-State Support Hot Insertion**
- **Bus Hold on Data Inputs Eliminates the Need for External Pullup/Pulldown Resistors**
- **Distributed V_{CC} and GND Pins Minimize High-Speed Switching Noise**
- **Flow-Through Architecture Optimizes PCB Layout**
- **Latch-Up Performance Exceeds 500 mA Per JESD 17**
- **ESD Protection Exceeds JESD 22**
 - 2000-V Human-Body Model (A114-A)
 - 200-V Machine Model (A115-A)
 - 1000-V Charged-Device Model (C101)

DGG PACKAGE
(TOP VIEW)



† Component qualification in accordance with JEDEC and industry standards to ensure reliable operation over an extended temperature range. This includes, but is not limited to, Highly Accelerated Stress Test (HAST) or biased 85/85, temperature cycle, autoclave or unbiased HAST, electromigration, bond intermetallic life, and mold compound life. Such qualification testing should not be viewed as justifying use of this component beyond specified performance and environmental limits.

description/ordering information

The SN74LVTH16500 is an 18-bit universal bus transceiver designed for low-voltage (3.3-V) V_{CC} operation, but with the capability to provide a TTL interface to a 5-V system environment.



Please be aware that an important notice concerning availability, standard warranty, and use in critical applications of Texas Instruments semiconductor products and disclaimers thereto appears at the end of this data sheet.

Widebus and UBT are trademarks of Texas Instruments.

PRODUCTION DATA information is current as of publication date. Products conform to specifications per the terms of Texas Instruments standard warranty. Production processing does not necessarily include testing of all parameters.



Copyright © 2003, Texas Instruments Incorporated

SN74LVTH16500-EP
3.3-V ABT 18-BIT UNIVERSAL BUS TRANSCEIVER
WITH 3-STATE OUTPUTS

SCBS783 – NOVEMBER 2003

description/ordering information (continued)

ORDERING INFORMATION

| TA | PACKAGE† | | ORDERABLE PART NUMBER | TOP-SIDE MARKING |
|---------------|-------------|---------------|-----------------------|------------------|
| -40°C to 85°C | TSSOP – DGG | Tape and reel | CLVTH16500IDGGREP | LH16500EP |

† Package drawings, standard packing quantities, thermal data, symbolization, and PCB design guidelines are available at www.ti.com/sc/package.

Data flow in each direction is controlled by output-enable (OEAB and \overline{OEBA}), latch-enable (LEAB and LEBA), and clock (\overline{CLKAB} and \overline{CLKBA}) inputs. For A-to-B data flow, the device operates in the transparent mode when LEAB is high. When LEAB is low, the A data is latched if \overline{CLKAB} is held at a high or low logic level. If LEAB is low, the A data is stored in the latch/flip-flop on the high-to-low transition of \overline{CLKAB} . OEAB is active high. When OEAB is high, the B-port outputs are active. When OEAB is low, the B-port outputs are in the high-impedance state.

Data flow for B to A is similar to that of A to B, but uses \overline{OEBA} , LEBA, and \overline{CLKBA} . The output enables are complementary (OEAB is active high and \overline{OEBA} is active low).

Active bus-hold circuitry holds unused or undriven inputs at a valid logic state. Use of pullup or pulldown resistors with the bus-hold circuitry is not recommended.

When V_{CC} is between 0 and 1.5 V, the device is in the high-impedance state during power up or power down. However, to ensure the high-impedance state above 1.5 V, \overline{OE} should be tied to V_{CC} through a pullup resistor and OE should be tied to GND through a pulldown resistor; the minimum value of the resistor is determined by the current-sinking/current-sourcing capability of the driver.

This device is fully specified for hot-insertion applications using I_{off} and power-up 3-state. The I_{off} circuitry disables the outputs, preventing damaging current backflow through the device when it is powered down. The power-up 3-state circuitry places the outputs in the high-impedance state during power up and power down, which prevents driver conflict.

FUNCTION TABLE†

| INPUTS | | | | OUTPUT B |
|--------|------|--------------------|---|----------------|
| OEAB | LEAB | \overline{CLKAB} | A | B |
| L | X | X | X | Z |
| H | H | X | L | L |
| H | H | X | H | H |
| H | L | ↓ | L | L |
| H | L | ↓ | H | H |
| H | L | H | X | B_0^\ddagger |
| H | L | L | X | B_0^\S |

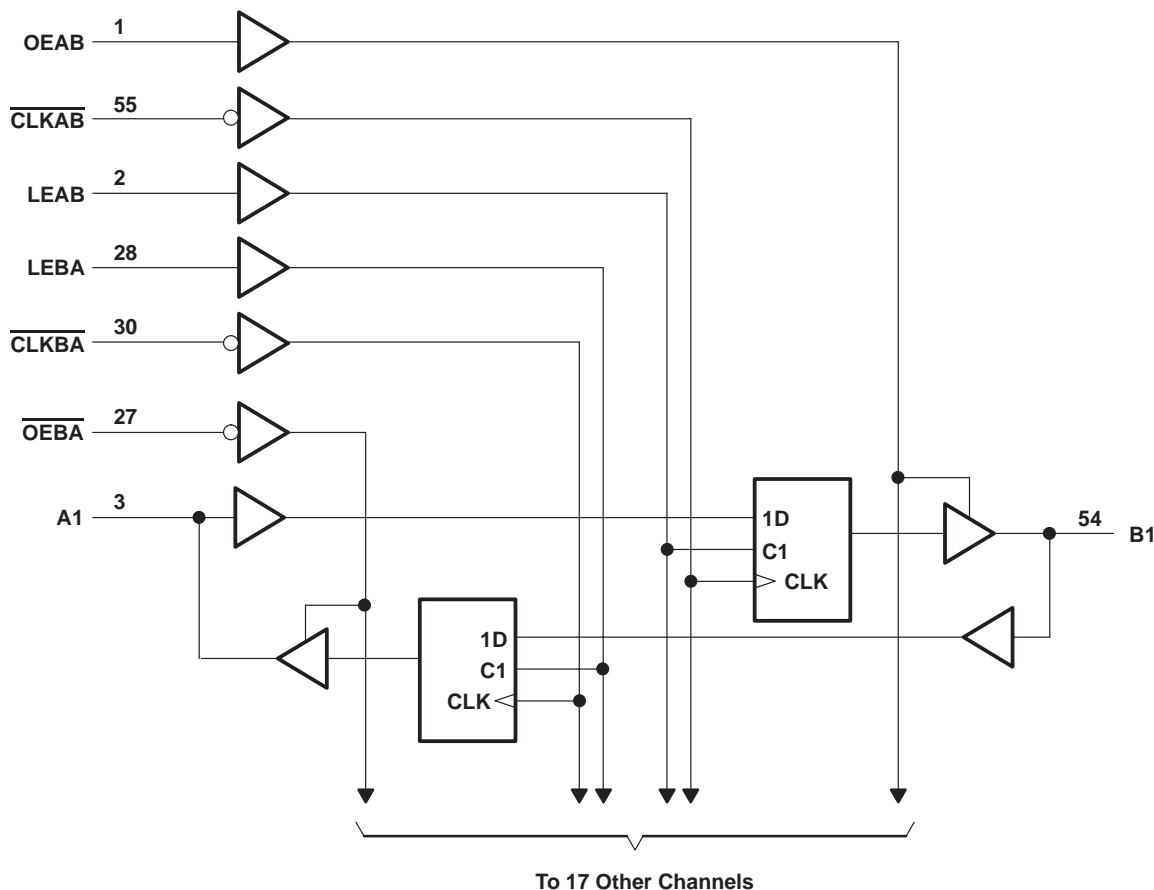
† A-to-B data flow is shown: B-to-A flow is similar, but uses \overline{OEBA} , LEBA, and \overline{CLKBA} .

‡ Output level before the indicated steady-state input conditions were established

§ Output level before the indicated steady-state input conditions were established, provided that \overline{CLKAB} was low before LEAB went low



logic diagram (positive logic)



absolute maximum ratings over operating free-air temperature range (unless otherwise noted)†

| | |
|--|----------------------------|
| Supply voltage range, V_{CC} | -0.5 V to 4.6 V |
| Input voltage range, V_I (see Note 1) | -0.5 V to 7 V |
| Voltage range applied to any output in the high-impedance or power-off state, V_O (see Note 1) | -0.5 V to 7 V |
| Voltage range applied to any output in the high state, V_O (see Note 1) | -0.5 V to $V_{CC} + 0.5$ V |
| Current into any output in the low state, I_O | 128 mA |
| Current into any output in the high state, I_O (see Note 2) | 64 mA |
| Input clamp current, I_{IK} ($V_I < 0$) | -50 mA |
| Output clamp current, I_{OK} ($V_O < 0$) | -50 mA |
| Package thermal impedance, θ_{JA} (see Note 3) | 64°C/W |
| Storage temperature range, T_{stg} | -65°C to 150°C |

† Stresses beyond those listed under “absolute maximum ratings” may cause permanent damage to the device. These are stress ratings only, and functional operation of the device at these or any other conditions beyond those indicated under “recommended operating conditions” is not implied. Exposure to absolute-maximum-rated conditions for extended periods may affect device reliability.

- NOTES: 1. The input and output negative-voltage ratings may be exceeded if the input and output clamp-current ratings are observed.
 2. This current flows only when the output is in the high state and $V_O > V_{CC}$.
 3. The package thermal impedance is calculated in accordance with JESD 51-7.

SN74LVTH16500-EP

3.3-V ABT 18-BIT UNIVERSAL BUS TRANSCEIVER WITH 3-STATE OUTPUTS

SCBS783 – NOVEMBER 2003

recommended operating conditions (see Note 4)

| | | MIN | MAX | UNIT |
|---------------------|------------------------------------|-----------------|-----|---------|
| V _{CC} | Supply voltage | 2.7 | 3.6 | V |
| V _{IH} | High-level input voltage | 2 | | V |
| V _{IL} | Low-level input voltage | | 0.8 | V |
| V _I | Input voltage | | 5.5 | V |
| I _{OH} | High-level output current | | -32 | mA |
| I _{OL} | Low-level output current | | 64 | mA |
| Δt/Δv | Input transition rise or fall rate | Outputs enabled | | 10 ns/V |
| Δt/ΔV _{CC} | Power-up ramp rate | 200 | | μs/V |
| T _A | Operating free-air temperature | -40 | 85 | °C |

NOTE 4: All unused control inputs of the device must be held at V_{CC} or GND to ensure proper device operation. Refer to the TI application report, *Implications of Slow or Floating CMOS Inputs*, literature number SCBA004.

electrical characteristics over recommended operating free-air temperature range (unless otherwise noted)

| PARAMETER | | TEST CONDITIONS | | MIN | TYP† | MAX | UNIT |
|-----------------------|----------------|--|---|----------------------|------|------|------|
| V _{IK} | | V _{CC} = 2.7 V, | I _I = -18 mA | | | -1.2 | V |
| V _{OH} | | V _{CC} = 2.7 V to 3.6 V, | I _{OH} = -100 μA | V _{CC} -0.2 | | | V |
| | | V _{CC} = 2.7 V, | I _{OH} = -8 mA | 2.4 | | | |
| | | V _{CC} = 3 V, | I _{OH} = -32 mA | 2 | | | |
| V _{OL} | | V _{CC} = 2.7 V | I _{OL} = 100 μA | | | 0.2 | V |
| | | | I _{OL} = 24 mA | | | 0.5 | |
| | | V _{CC} = 3 V | I _{OL} = 16 mA | | | 0.4 | |
| | | | I _{OL} = 32 mA | | | 0.5 | |
| | | | I _{OL} = 64 mA | | | 0.55 | |
| I _I | Control inputs | V _{CC} = 3.6 V, | V _I = V _{CC} or GND | | | ±1 | μA |
| | | V _{CC} = 0 or 3.6 V, | V _I = 5.5 V | | | 10 | |
| | A or B ports‡ | V _{CC} = 3.6 V | V _I = 5.5 V | | | 20 | |
| | | | V _I = V _{CC} | | | 1 | |
| | | V _I = 0 | | | -5 | | |
| I _{off} | | V _{CC} = 0, | V _I or V _O = 0 to 4.5 V | | | ±100 | μA |
| I _I (hold) | A or B ports | V _{CC} = 3 V | V _I = 0.8 V | | | 75 | μA |
| | | | V _I = 2 V | | | -75 | |
| | | V _{CC} = 3.6 V§, | V _I = 0 to 3.6 V | | | ±500 | |
| I _{OZPU} | | V _{CC} = 0 to 1.5 V, V _O = 0.5 V to 3 V, $\overline{\text{OE}}/\text{OE}$ = don't care | | | | ±100 | μA |
| I _{OZPD} | | V _{CC} = 1.5 V to 0, V _O = 0.5 V to 3 V, $\overline{\text{OE}}/\text{OE}$ = don't care | | | | ±100 | μA |
| I _{CC} | | V _{CC} = 3.6 V, I _O = 0, V _I = V _{CC} or GND | Outputs high | | | 0.19 | mA |
| | | | Outputs low | | | 5 | |
| | | | Outputs disabled | | | 0.19 | |
| ΔI _{CC} ¶ | | V _{CC} = 3 V to 3.6 V, One input at V _{CC} - 0.6 V, Other inputs at V _{CC} or GND | | | | 0.2 | mA |
| C _i | | V _I = 3 V or 0 | | | | 4 | pF |
| C _{io} | | V _O = 3 V or 0 | | | | 10 | pF |

† All typical values are at V_{CC} = 3.3 V, T_A = 25°C.

‡ Unused pins at V_{CC} or GND

§ This is the bus-hold maximum dynamic current. It is the minimum overdrive current required to switch the input from one state to another.

¶ This is the increase in supply current for each input that is at the specified TTL voltage level, rather than V_{CC} or GND.



SN74LVTH16500-EP
3.3-V ABT 18-BIT UNIVERSAL BUS TRANSCEIVER
WITH 3-STATE OUTPUTS

SCBS783 – NOVEMBER 2003

timing requirements over recommended operating free-air temperature range (unless otherwise noted) (see Figure 1)

| | | $V_{CC} = 3.3\text{ V} \pm 0.3\text{ V}$ | | $V_{CC} = 2.7\text{ V}$ | | UNIT |
|--------------------|-----------------|--|------------------------------|-------------------------|-----|------|
| | | MIN | MAX | MIN | MAX | |
| f_{clock} | Clock frequency | 150 | | 150 | | MHz |
| t_w | Pulse duration | LE high | | 3.3 | 3.3 | ns |
| | | $\overline{\text{CLK}}$ high or low | | 3.3 | 3.3 | |
| t_{su} | Setup time | A before $\overline{\text{CLKAB}}\downarrow$ | | 2.9 | 2.9 | ns |
| | | B before $\overline{\text{CLKBA}}\downarrow$ | | 2.9 | 2.9 | |
| | | A or B before LE \downarrow | $\overline{\text{CLK}}$ high | 1.4 | 0.5 | |
| | | | $\overline{\text{CLK}}$ low | 2.9 | 2.3 | |
| t_h | Hold time | A or B after $\overline{\text{CLK}}\downarrow$ | | 0.4 | 0.4 | ns |
| | | A or B after LE \downarrow | | 1.6 | 1.6 | |

switching characteristics over recommended operating free-air temperature range, $C_L = 50\text{ pF}$ (unless otherwise noted) (see Figure 1)

| PARAMETER | FROM (INPUT) | TO (OUTPUT) | $V_{CC} = 3.3\text{ V} \pm 0.3\text{ V}$ | | | $V_{CC} = 2.7\text{ V}$ | | UNIT |
|------------------|--|-------------|--|------------------|-----|-------------------------|-----|------|
| | | | MIN | TYP [†] | MAX | MIN | MAX | |
| f_{max} | | | 150 | | | 150 | | MHz |
| t_{PLH} | B or A | A or B | 1.3 | 2.8 | 3.7 | 4 | | ns |
| t_{PHL} | | | 1.3 | 2.6 | 3.7 | 4 | | |
| t_{PLH} | LEBA or LEAB | A or B | 1.5 | 3.8 | 5.1 | 5.7 | | ns |
| t_{PHL} | | | 1.5 | 3.8 | 5.1 | 5.7 | | |
| t_{PLH} | $\overline{\text{CLKBA}}$ or $\overline{\text{CLKAB}}$ | A or B | 1.3 | 3.6 | 5 | 5.9 | | ns |
| t_{PHL} | | | 1.3 | 3.5 | 5 | 5.9 | | |
| t_{PZH} | $\overline{\text{OEBA}}$ or OEAB | A or B | 1.3 | 3.6 | 4.8 | 5.5 | | ns |
| t_{PZL} | | | 1.3 | 3.6 | 4.8 | 5.5 | | |
| t_{PHZ} | $\overline{\text{OEBA}}$ or OEAB | A or B | 1.7 | 4.5 | 5.8 | 6.3 | | ns |
| t_{PLZ} | | | 1.7 | 4.1 | 5.8 | 6.3 | | |

[†] All typical values are at $V_{CC} = 3.3\text{ V}$, $T_A = 25^\circ\text{C}$.

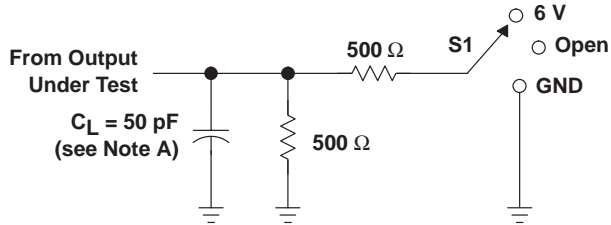
SN74LVTH16500-EP

3.3-V ABT 18-BIT UNIVERSAL BUS TRANSCEIVER

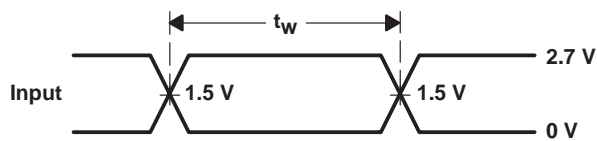
WITH 3-STATE OUTPUTS

SCBS783 – NOVEMBER 2003

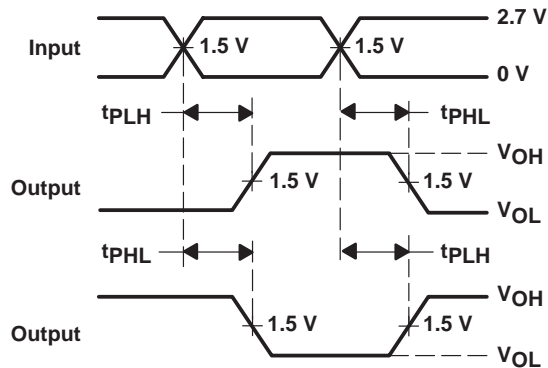
PARAMETER MEASUREMENT INFORMATION



LOAD CIRCUIT

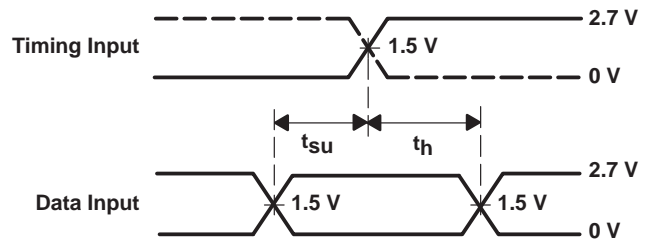


VOLTAGE WAVEFORMS
PULSE DURATION

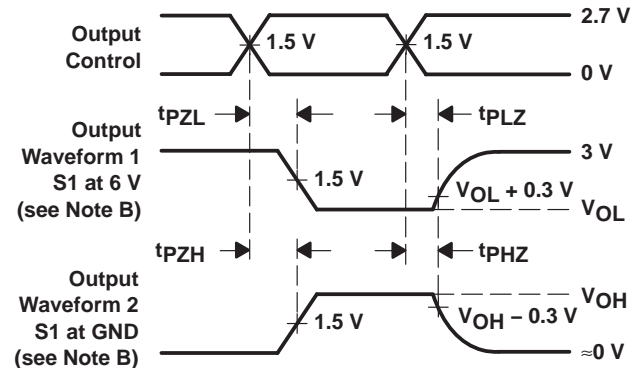


VOLTAGE WAVEFORMS
PROPAGATION DELAY TIMES
INVERTING AND NONINVERTING OUTPUTS

| TEST | S1 |
|-------------------|------|
| t_{PHL}/t_{PLH} | Open |
| t_{PLZ}/t_{PZL} | 6 V |
| t_{PHZ}/t_{PZH} | GND |



VOLTAGE WAVEFORMS
SETUP AND HOLD TIMES



VOLTAGE WAVEFORMS
ENABLE AND DISABLE TIMES
LOW- AND HIGH-LEVEL ENABLING

- NOTES: A. C_L includes probe and jig capacitance.
 B. Waveform 1 is for an output with internal conditions such that the output is low except when disabled by the output control.
 Waveform 2 is for an output with internal conditions such that the output is high except when disabled by the output control.
 C. All input pulses are supplied by generators having the following characteristics: $PRR \leq 10 \text{ MHz}$, $Z_O = 50 \Omega$, $t_r \leq 2.5 \text{ ns}$, $t_f \leq 2.5 \text{ ns}$.
 D. The outputs are measured one at a time with one transition per measurement.

Figure 1. Load Circuit and Voltage Waveforms

PACKAGING INFORMATION

| Orderable Device | Status ⁽¹⁾ | Package Type | Package Drawing | Pins | Package Qty | Eco Plan ⁽²⁾ | Lead/Ball Finish | MSL Peak Temp ⁽³⁾ |
|-------------------|-----------------------|--------------|-----------------|------|-------------|-------------------------|------------------|------------------------------|
| CLVTH16500IDGGREP | ACTIVE | TSSOP | DGG | 56 | 2000 | Green (RoHS & no Sb/Br) | CU NIPDAU | Level-1-260C-UNLIM |
| V62/04713-01XE | ACTIVE | TSSOP | DGG | 56 | 2000 | Green (RoHS & no Sb/Br) | CU NIPDAU | Level-1-260C-UNLIM |

⁽¹⁾ The marketing status values are defined as follows:

ACTIVE: Product device recommended for new designs.

LIFEBUY: TI has announced that the device will be discontinued, and a lifetime-buy period is in effect.

NRND: Not recommended for new designs. Device is in production to support existing customers, but TI does not recommend using this part in a new design.

PREVIEW: Device has been announced but is not in production. Samples may or may not be available.

OBSOLETE: TI has discontinued the production of the device.

⁽²⁾ Eco Plan - The planned eco-friendly classification: Pb-Free (RoHS), Pb-Free (RoHS Exempt), or Green (RoHS & no Sb/Br) - please check <http://www.ti.com/productcontent> for the latest availability information and additional product content details.

TBD: The Pb-Free/Green conversion plan has not been defined.

Pb-Free (RoHS): TI's terms "Lead-Free" or "Pb-Free" mean semiconductor products that are compatible with the current RoHS requirements for all 6 substances, including the requirement that lead not exceed 0.1% by weight in homogeneous materials. Where designed to be soldered at high temperatures, TI Pb-Free products are suitable for use in specified lead-free processes.

Pb-Free (RoHS Exempt): This component has a RoHS exemption for either 1) lead-based flip-chip solder bumps used between the die and package, or 2) lead-based die adhesive used between the die and leadframe. The component is otherwise considered Pb-Free (RoHS compatible) as defined above.

Green (RoHS & no Sb/Br): TI defines "Green" to mean Pb-Free (RoHS compatible), and free of Bromine (Br) and Antimony (Sb) based flame retardants (Br or Sb do not exceed 0.1% by weight in homogeneous material)

⁽³⁾ MSL, Peak Temp. -- The Moisture Sensitivity Level rating according to the JEDEC industry standard classifications, and peak solder temperature.

Important Information and Disclaimer:The information provided on this page represents TI's knowledge and belief as of the date that it is provided. TI bases its knowledge and belief on information provided by third parties, and makes no representation or warranty as to the accuracy of such information. Efforts are underway to better integrate information from third parties. TI has taken and continues to take reasonable steps to provide representative and accurate information but may not have conducted destructive testing or chemical analysis on incoming materials and chemicals. TI and TI suppliers consider certain information to be proprietary, and thus CAS numbers and other limited information may not be available for release.

In no event shall TI's liability arising out of such information exceed the total purchase price of the TI part(s) at issue in this document sold by TI to Customer on an annual basis.

OTHER QUALIFIED VERSIONS OF SN74LVTH16500-EP :

- Catalog: [SN74LVTH16500](#)

NOTE: Qualified Version Definitions:

- Catalog - TI's standard catalog product

TAPE AND REEL INFORMATION



QUADRANT ASSIGNMENTS FOR PIN 1 ORIENTATION IN TAPE



*All dimensions are nominal

| Device | Package Type | Package Drawing | Pins | SPQ | Reel Diameter (mm) | Reel Width W1 (mm) | A0 (mm) | B0 (mm) | K0 (mm) | P1 (mm) | W (mm) | Pin1 Quadrant |
|-------------------|--------------|-----------------|------|------|--------------------|--------------------|---------|---------|---------|---------|--------|---------------|
| CLVTH16500IDGGREP | TSSOP | DGG | 56 | 2000 | 330.0 | 24.4 | 8.6 | 15.6 | 1.8 | 12.0 | 24.0 | Q1 |

TAPE AND REEL BOX DIMENSIONS



*All dimensions are nominal

| Device | Package Type | Package Drawing | Pins | SPQ | Length (mm) | Width (mm) | Height (mm) |
|-------------------|--------------|-----------------|------|------|-------------|------------|-------------|
| CLVTH16500IDGGREP | TSSOP | DGG | 56 | 2000 | 346.0 | 346.0 | 41.0 |

IMPORTANT NOTICE

Texas Instruments Incorporated and its subsidiaries (TI) reserve the right to make corrections, modifications, enhancements, improvements, and other changes to its products and services at any time and to discontinue any product or service without notice. Customers should obtain the latest relevant information before placing orders and should verify that such information is current and complete. All products are sold subject to TI's terms and conditions of sale supplied at the time of order acknowledgment.

TI warrants performance of its hardware products to the specifications applicable at the time of sale in accordance with TI's standard warranty. Testing and other quality control techniques are used to the extent TI deems necessary to support this warranty. Except where mandated by government requirements, testing of all parameters of each product is not necessarily performed.

TI assumes no liability for applications assistance or customer product design. Customers are responsible for their products and applications using TI components. To minimize the risks associated with customer products and applications, customers should provide adequate design and operating safeguards.

TI does not warrant or represent that any license, either express or implied, is granted under any TI patent right, copyright, mask work right, or other TI intellectual property right relating to any combination, machine, or process in which TI products or services are used. Information published by TI regarding third-party products or services does not constitute a license from TI to use such products or services or a warranty or endorsement thereof. Use of such information may require a license from a third party under the patents or other intellectual property of the third party, or a license from TI under the patents or other intellectual property of TI.

Reproduction of TI information in TI data books or data sheets is permissible only if reproduction is without alteration and is accompanied by all associated warranties, conditions, limitations, and notices. Reproduction of this information with alteration is an unfair and deceptive business practice. TI is not responsible or liable for such altered documentation. Information of third parties may be subject to additional restrictions.

Resale of TI products or services with statements different from or beyond the parameters stated by TI for that product or service voids all express and any implied warranties for the associated TI product or service and is an unfair and deceptive business practice. TI is not responsible or liable for any such statements.

TI products are not authorized for use in safety-critical applications (such as life support) where a failure of the TI product would reasonably be expected to cause severe personal injury or death, unless officers of the parties have executed an agreement specifically governing such use. Buyers represent that they have all necessary expertise in the safety and regulatory ramifications of their applications, and acknowledge and agree that they are solely responsible for all legal, regulatory and safety-related requirements concerning their products and any use of TI products in such safety-critical applications, notwithstanding any applications-related information or support that may be provided by TI. Further, Buyers must fully indemnify TI and its representatives against any damages arising out of the use of TI products in such safety-critical applications.

TI products are neither designed nor intended for use in military/aerospace applications or environments unless the TI products are specifically designated by TI as military-grade or "enhanced plastic." Only products designated by TI as military-grade meet military specifications. Buyers acknowledge and agree that any such use of TI products which TI has not designated as military-grade is solely at the Buyer's risk, and that they are solely responsible for compliance with all legal and regulatory requirements in connection with such use.

TI products are neither designed nor intended for use in automotive applications or environments unless the specific TI products are designated by TI as compliant with ISO/TS 16949 requirements. Buyers acknowledge and agree that, if they use any non-designated products in automotive applications, TI will not be responsible for any failure to meet such requirements.

Following are URLs where you can obtain information on other Texas Instruments products and application solutions:

Products

| | |
|-----------------------------|--|
| Amplifiers | amplifier.ti.com |
| Data Converters | dataconverter.ti.com |
| DSP | dsp.ti.com |
| Clocks and Timers | www.ti.com/clocks |
| Interface | interface.ti.com |
| Logic | logic.ti.com |
| Power Mgmt | power.ti.com |
| Microcontrollers | microcontroller.ti.com |
| RFID | www.ti-rfid.com |
| RF/IF and ZigBee® Solutions | www.ti.com/lprf |

Applications

| | |
|--------------------|--|
| Audio | www.ti.com/audio |
| Automotive | www.ti.com/automotive |
| Broadband | www.ti.com/broadband |
| Digital Control | www.ti.com/digitalcontrol |
| Medical | www.ti.com/medical |
| Military | www.ti.com/military |
| Optical Networking | www.ti.com/opticalnetwork |
| Security | www.ti.com/security |
| Telephony | www.ti.com/telephony |
| Video & Imaging | www.ti.com/video |
| Wireless | www.ti.com/wireless |

Mailing Address: Texas Instruments, Post Office Box 655303, Dallas, Texas 75265
Copyright © 2008, Texas Instruments Incorporated