

## 阅读申明

- 1.本站收集的数据手册和产品资料都来自互联网，版权归原作者所有。如读者和版权方有任何异议请及时告之，我们将妥善解决。
- 2.本站提供的中文数据手册是英文数据手册的中文翻译，其目的是协助用户阅读，该译文无法自动跟随原稿更新，同时也可能存在翻译上的不当。建议读者以英文原稿为参考以便获得更精准的信息。
- 3.本站提供的产品资料，来自厂商的技术支持或者使用者的心得体会等，其内容可能存在描述上的差异，建议读者做出适当判断。
- 4.如需与我们联系，请发邮件到marketing@iczoom.com，主题请标有“数据手册”字样。

## Read Statement

1. The datasheets and other product information on the site are all from network reference or other public materials, and the copyright belongs to the original author and original published source. If readers and copyright owners have any objections, please contact us and we will deal with it in a timely manner.
2. The Chinese datasheets provided on the website is a Chinese translation of the English datasheets. Its purpose is for reader's learning exchange only and do not involve commercial purposes. The translation cannot be automatically updated with the original manuscript, and there may also be improper translations. Readers are advised to use the English manuscript as a reference for more accurate information.
3. All product information provided on the website refer to solutions from manufacturers' technical support or users the contents may have differences in description, and readers are advised to take the original article as the standard.
4. If you have any questions, please contact us at marketing@iczoom.com and mark the subject with "Datasheets" .

# KA5x0165Rxx-SERIES

KA5H0165R/RN, KA5M0165R/RN, KA5L0165R/RN,  
KA5H0165RVN

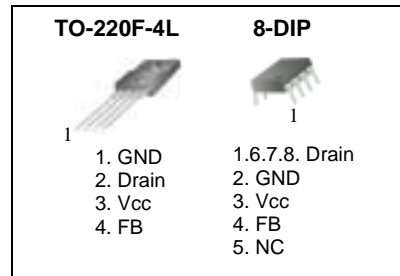
## Fairchild Power Switch(FPS)

### Features

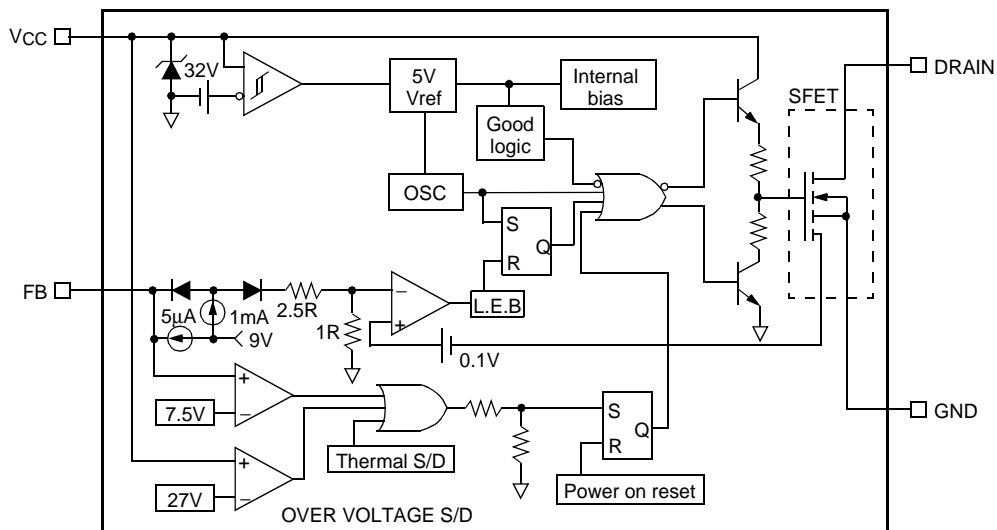
- Precision Fixed Operating Frequency (100/67/50kHz )
- Low Start-up Current (Typ. 100uA)
- Pulse by Pulse Current Limiting
- Over Load Protection
- Over Voltage Protection (Min. 25V)
  - except KA5H0165RVN
- Internal Thermal Shutdown Function
- Under Voltage Lockout
- Internal High Voltage Sense FET
- Auto-Restart Mode

### Description

The Fairchild Power Switch(FPS) product family is specially designed for an off-line SMPS with minimal external components. The Fairchild Power Switch(FPS) consist of high voltage power SenseFET and current mode PWM IC. Included PWM controller features integrated fixed oscillator, under voltage lock out, leading edge blanking, optimized gate turn-on/turn-off driver, thermal shut down protection, over voltage protection, and temperature compensated precision current sources for loop compensation and fault protection circuitry compared to discrete MOSFET and controller or RCC switching converter solution, The Fairchild Power Switch(FPS) can reduce total component count, design size, weight and at the same time increase efficiency, productivity, and system reliability. It is well suited for cost effective design of flyback converters.



### Internal Block Diagram



## Absolute Maximum Ratings

(Ta=25°C, unless otherwise specified)

| Characteristic                                | Symbol   | Value       | Unit |
|---|----------|-------------|------|
| Drain-Gate Voltage (RGS=1MΩ)                  | VDGR     | 650         | V    |
| Gate-Source (GND) Voltage                     | VGS      | ±30         | V    |
| Drain Current Pulsed <sup>(1)</sup>           | IDM      | 4.0         | ADC  |
| Continuous Drain Current (TC=25°C)            | ID       | 1.0         | ADC  |
| Continuous Drain Current (TC=100°C)           | ID       | 0.7         | ADC  |
| Single Pulsed Avalanche Energy <sup>(2)</sup> | EAS      | 95          | mJ   |
| Maximum Supply Voltage                        | VCC,MAX  | 30          | V    |
| Analog Input Voltage Range                    | VFB      | -0.3 to VSD | V    |
| Total Power Dissipation                       | PD       | 40          | W    |
|   | Derating | 0.32        | W/°C |
| Operating Junction Temperature.               | TJ       | +160        | °C   |
| Operating Ambient Temperature.                | TA       | -25 to +85  | °C   |
| Storage Temperature Range.                    | TSTG     | -55 to +150 | °C   |

**Note:**

1. Repetitive rating: Pulse width limited by maximum junction temperature
2. L=24mH, starting Tj=25°C

## Electrical Characteristics (SFET Part)

(Ta=25°C unless otherwise specified)

| Parameter   | Symbol  | Condition  | Min. | Typ. | Max. | Unit |
|---|---------|--|------|------|------|------|
| Drain-Source Breakdown Voltage                      | BVDSS   | VGS=0V, ID=50μA  | 650  | -    | -    | V    |
| Zero Gate Voltage Drain Current                     | IDSS    | VDS=Max. Rating, VGS=0V  | -    | -    | 50   | μA   |
|   |         | VDS=0.8Max. Rating, VGS=0V, TC=125°C   | -    | -    | 200  | μA   |
| Static Drain-Source on Resistance <sup>(Note)</sup> | RDS(ON) | VGS=10V, ID=0.5A   | -    | 8    | 10   | Ω    |
| Forward Transconductance <sup>(Note)</sup>          | gfs     | VDS=50V, ID=0.5A   | 0.5  | -    | -    | S    |
| Input Capacitance                                   | Ciss    | VGS=0V, VDS=25V, f=1MHz  | -    | 250  | -    | pF   |
| Output Capacitance                                  | Coss    |  | -    | 25   | -    |      |
| Reverse Transfer Capacitance                        | Crss    |  | -    | 10   | -    |      |
| Turn on Delay Time                                  | td(on)  | VDD=0.5B VDS, ID=1.0A (MOSFET switching time is essentially independent of operating temperature)          | -    | 12   | -    | nS   |
| Rise Time   | tr      |  | -    | 4    | -    |      |
| Turn Off Delay Time                                 | td(off) |  | -    | 30   | -    |      |
| Fall Time   | tf      |  | -    | 10   | -    |      |
| Total Gate Charge (Gate-Source+Gate-Drain)          | Qg      | VGS=10V, ID=1.0A, VDS=0.5B VDS (MOSFET switching time is essentially independent of operating temperature) | -    | -    | 21   | nC   |
| Gate-Source Charge                                  | Qgs     |  | -    | 3    | -    |      |
| Gate-Drain (Miller) Charge                          | Qgd     |  | -    | 9    | -    |      |

### Note:

1. Pulse test: Pulse width ≤ 300μS, duty cycle ≤ 2%

2.  $S = \frac{1}{R}$

**Electrical Characteristics (Control Part)** (Continued)

(Ta=25°C unless otherwise specified)

| Parameter  | Symbol              | Condition                | Min. | Typ. | Max. | Unit  |
|--|---------------------|--------------------------|------|------|------|-------|
| <b>UVLO SECTION</b>                              |                     |                          |      |      |      |       |
| Start Threshold Voltage                          | VSTART              | VFB=GND                  | 14   | 15   | 16   | V     |
| Stop Threshold Voltage                           | VSTOP               | VFB=GND                  | 8.2  | 8.8  | 9.4  | V     |
| <b>OSCILLATOR SECTION</b>                        |                     |                          |      |      |      |       |
| Initial Accuracy                                 | FOSC                | KA5H0165Rxx              | 90   | 100  | 110  | kHz   |
| Initial Accuracy                                 | FOSC                | KA5M0165Rx               | 61   | 67   | 73   | kHz   |
| Initial Accuracy                                 | FOSC                | KA5L0165Rx               | 45   | 50   | 55   | kHz   |
| Frequency Change With Temperature <sup>(2)</sup> | $\Delta F/\Delta T$ | -25°C ≤ Ta ≤ +85°C       | -    | ±5   | ±10  | %     |
| Maximum Duty Cycle                               | Dmax                | KA5H0165Rxx              | 62   | 67   | 72   | %     |
| Maximum Duty Cycle                               | Dmax                | KA5M0165Rx<br>KA5L0165Rx | 72   | 77   | 82   | %     |
| <b>FEEDBACK SECTION</b>                          |                     |                          |      |      |      |       |
| Feedback Source Current                          | IFB                 | Ta=25°C, 0V ≤ Vfb ≤ 3V   | 0.7  | 0.9  | 1.1  | mA    |
| Shutdown Feedback Voltage                        | VSD                 | Vfb ≥ 6.5V               | 6.9  | 7.5  | 8.1  | V     |
| Shutdown Delay Current                           | Idelay              | Ta=25°C, 3V ≤ Vfb ≤ VSD  | 4    | 5    | 6    | μA    |
| <b>REFERENCE SECTION</b>                         |                     |                          |      |      |      |       |
| Output Voltage <sup>(1)</sup>                    | Vref                | Ta=25°C                  | 4.80 | 5.00 | 5.20 | V     |
| Temperature Stability <sup>(1)(2)</sup>          | Vref/ΔT             | -25°C ≤ Ta ≤ +85°C       | -    | 0.3  | 0.6  | mV/°C |
| <b>CURRENT LIMIT(SELF-PROTECTION)SECTION</b>     |                     |                          |      |      |      |       |
| Peak Current Limit                               | I <sub>OVER</sub>   | Max. inductor current    | 0.53 | 0.6  | 0.67 | A     |
| <b>PROTECTION SECTION</b>                        |                     |                          |      |      |      |       |
| Thermal Shutdown Temperature <sup>(1)</sup>      | TSD                 | -                        | 140  | 160  | -    | °C    |
| Over Voltage Protection                          | VOVP                | except KA5H0165RVN       | 25   | 27   | 29   | V     |
| <b>TOTAL STANDBY CURRENT SECTION</b>             |                     |                          |      |      |      |       |
| Start-up Current                                 | I <sub>START</sub>  | VCC=14V                  | -    | 100  | 170  | μA    |
| Operating Supply Current<br>(Control Part Only)  | I <sub>OP</sub>     | VCC ≤ 28                 | -    | 7    | 12   | mA    |

**Note:**

1. These parameters, although guaranteed, are not 100% tested in production
2. These parameters, although guaranteed, are tested in EDS (wafer test) process

## Typical Performance Characteristics

(These characteristic graphs are normalized at  $T_a=25^\circ\text{C}$ )

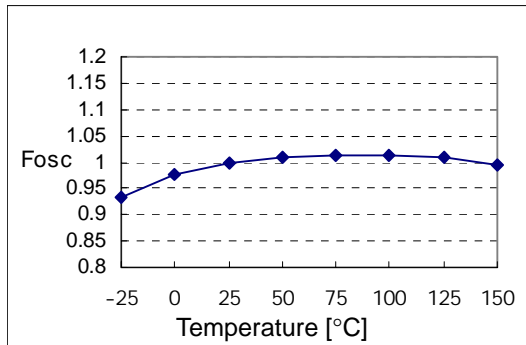


Figure 1. Operating Frequency

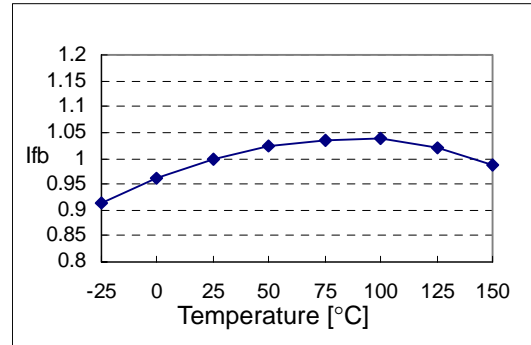


Figure 2. Feedback Source Current

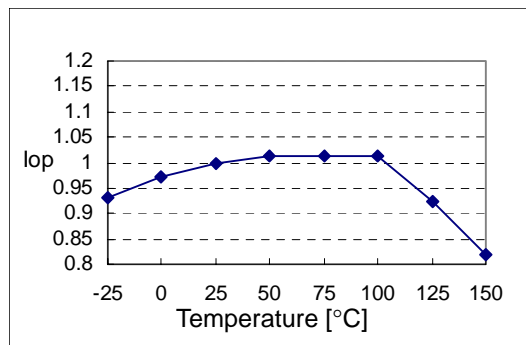


Figure 3. Operating Supply Current

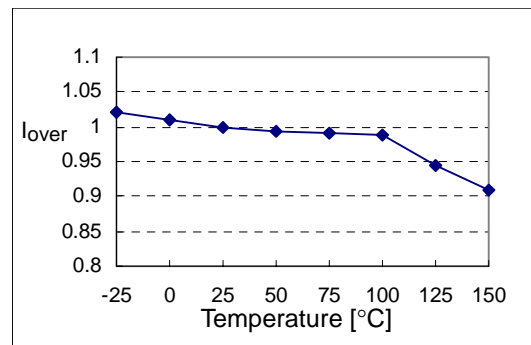


Figure 4. Peak Current Limit

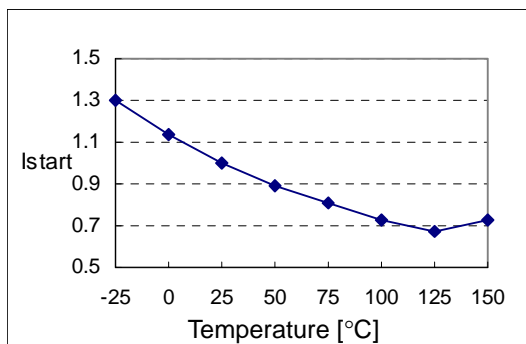


Figure 5. Start up Current

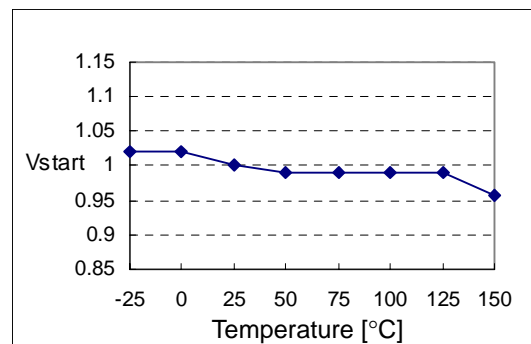
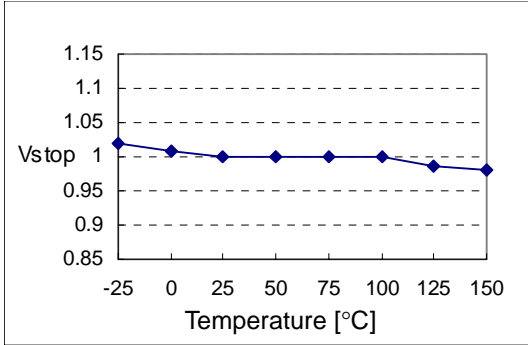


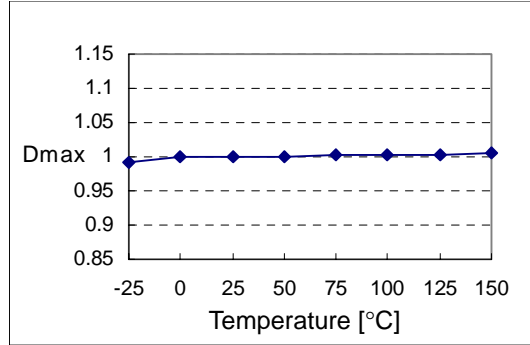
Figure 6. Start Threshold Voltage

**Typical Performance Characteristics** (Continued)

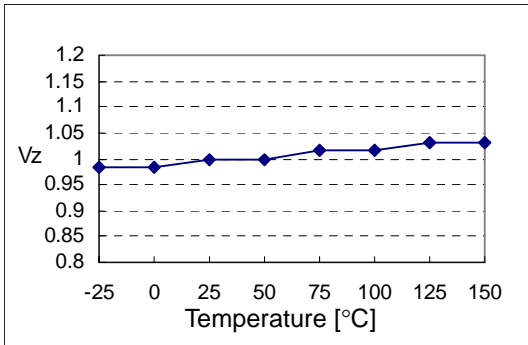
(These characteristic graphs are normalized at Ta=25°C)



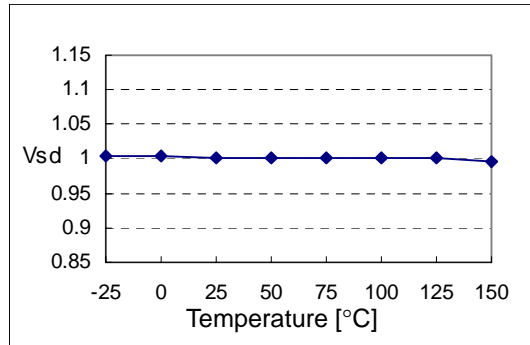
**Figure 7. Stop Threshold Voltage**



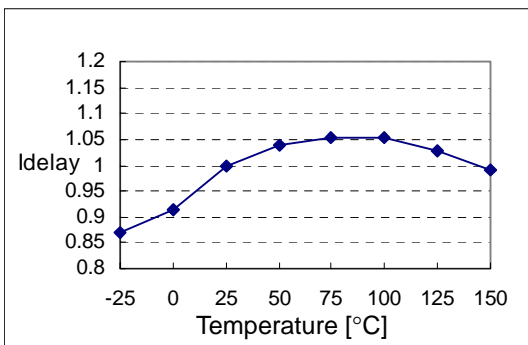
**Figure 8. Maximum Duty Cycle**



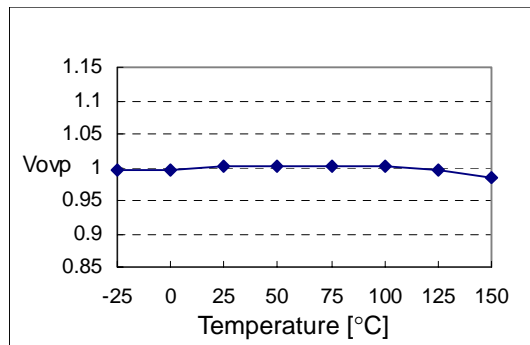
**Figure 9. VCC Zener Voltage**



**Figure 10. Shutdown Feedback Voltage**



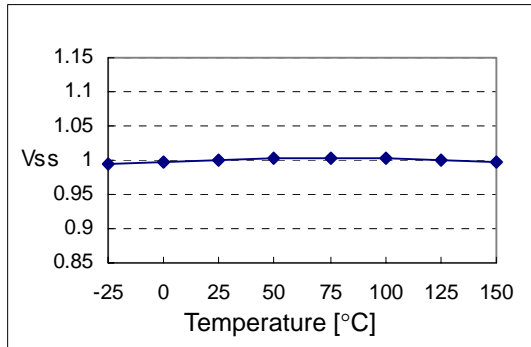
**Figure 11. Shutdown Delay Current**



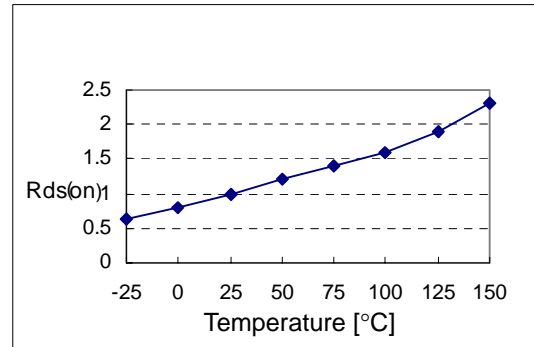
**Figure 12. Over Voltage Protection**

**Typical Performance Characteristics** (Continued)

(These characteristic graphs are normalized at  $T_a=25^\circ\text{C}$ )



**Figure 13. Soft Start Voltage**

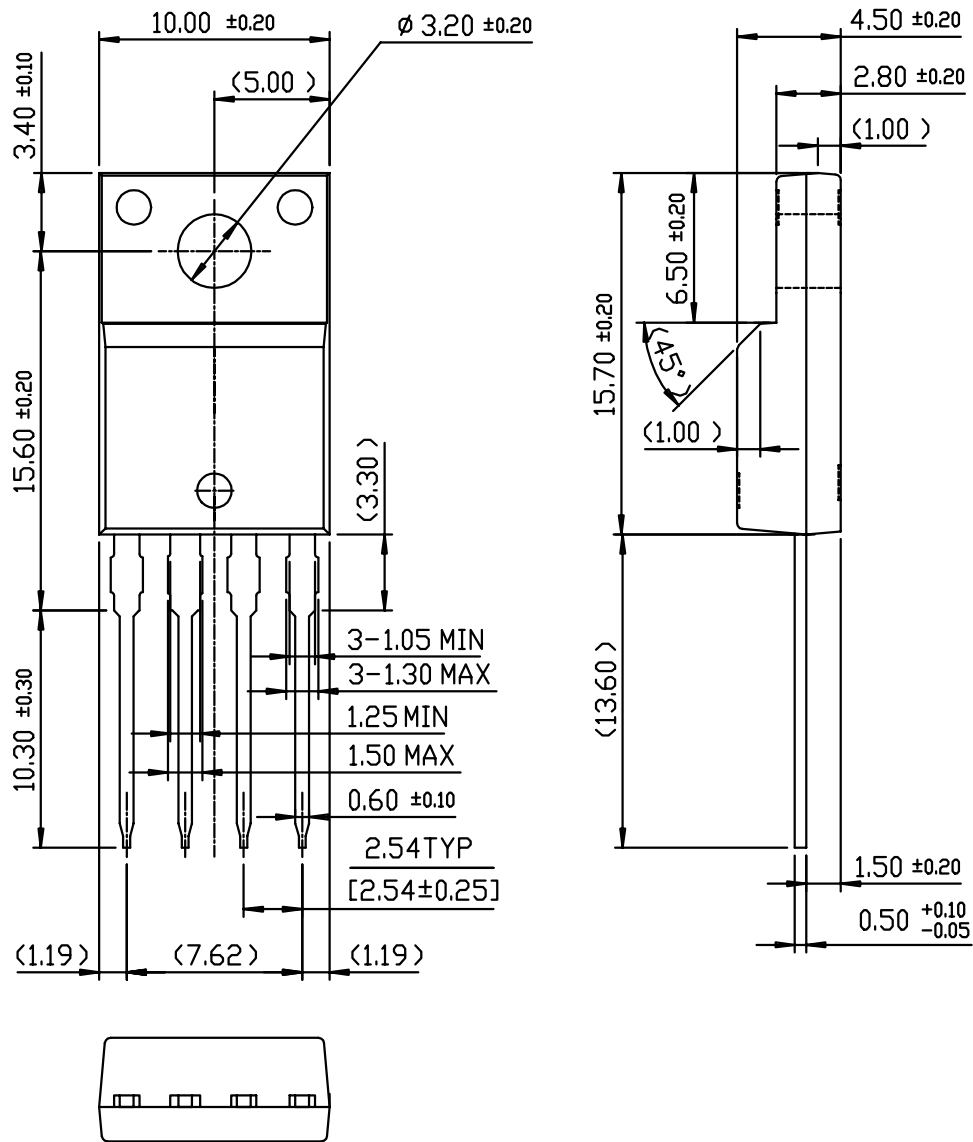


**Figure 14. Static Drain-Source on Resistance**



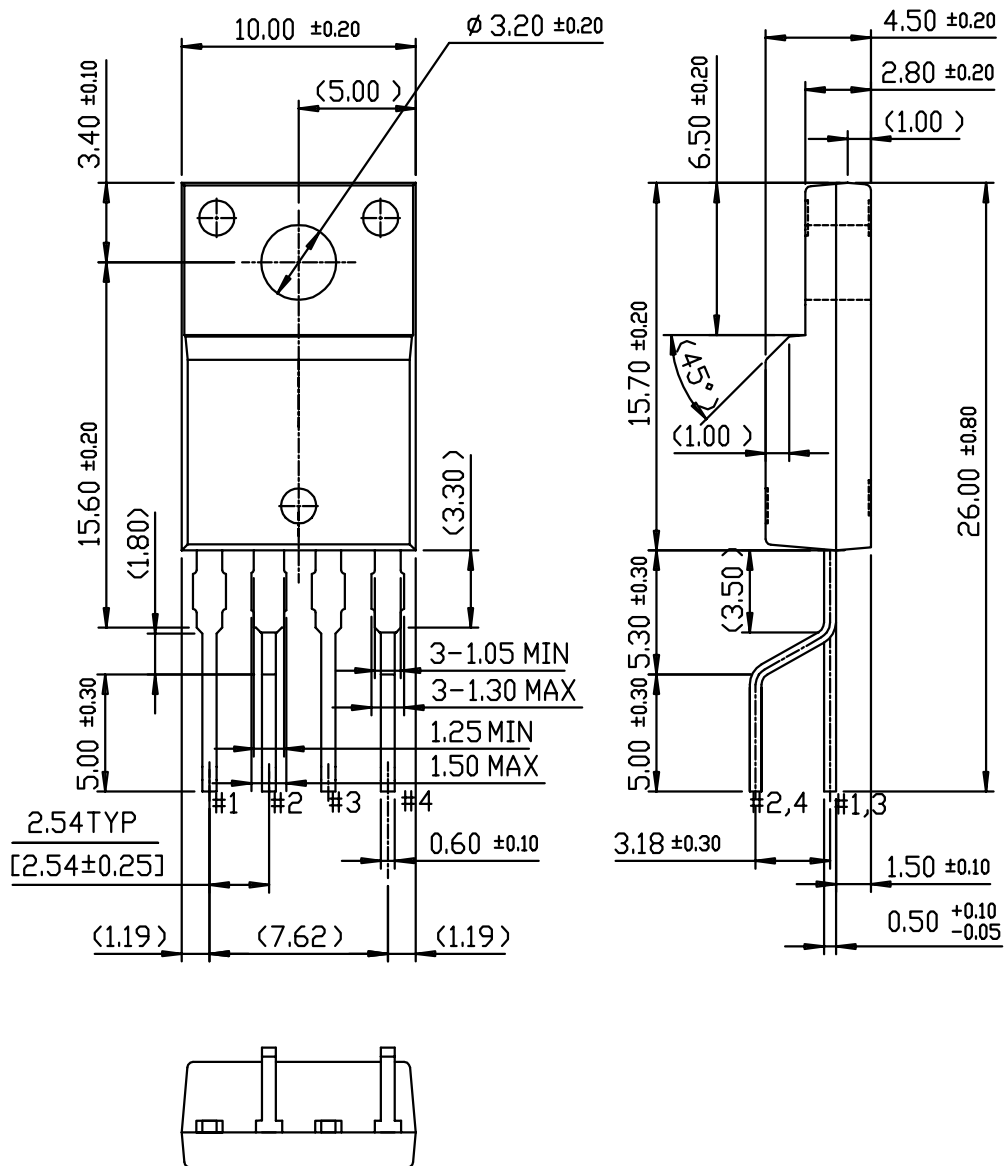
# Package Dimensions

## TO-220F-4L



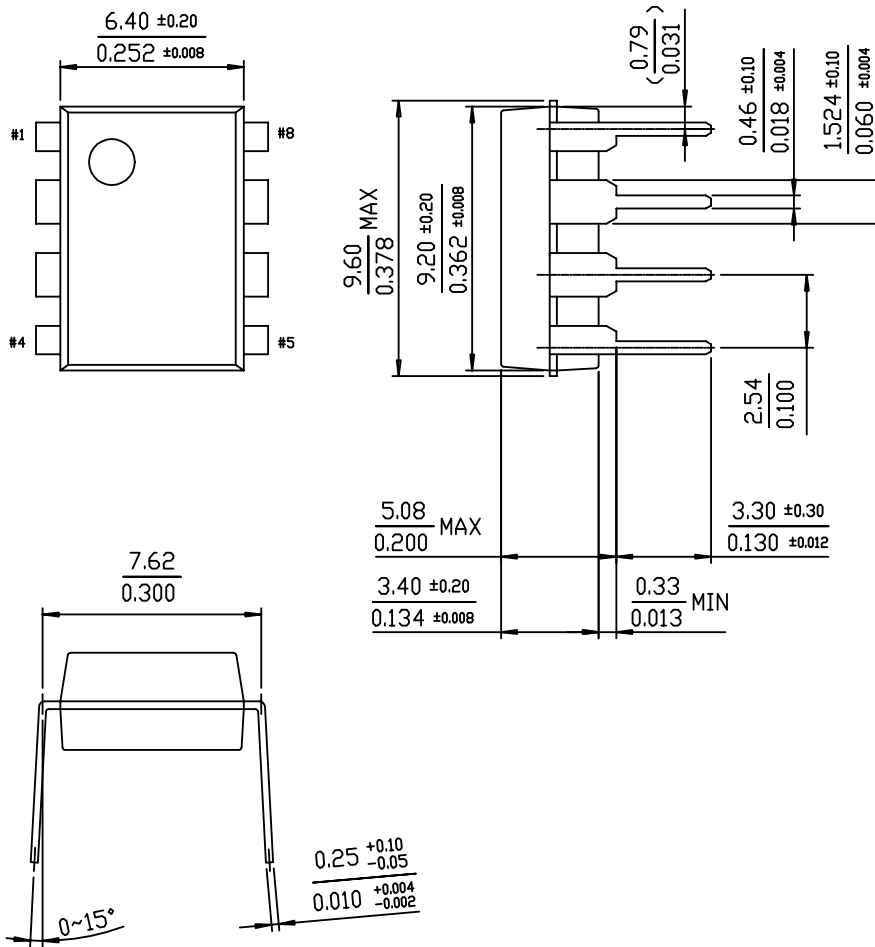
Package Dimensions (Continued)

TO-220F-4L(Forming)



Package Dimensions (Continued)

8-DIP



## Ordering Information

| Product Number | Package             | Marking Code | BVDSS | FOSC   | RDS(on) |
|----------------|---------------------|--------------|-------|--------|---------|
| KA5H0165RTU    | TO-220F-4L          | 5H0165R      | 650V  | 100kHz | 8Ω      |
| KA5H0165RYDTU  | TO-220F-4L(Forming) |              |       |        |         |
| KA5M0165RTU    | TO-220F-4L          | 5M0165R      | 650V  | 67kHz  | 8Ω      |
| KA5M0165RYDTU  | TO-220F-4L(Forming) |              |       |        |         |
| KA5L0165RTU    | TO-220F-4L          | 5L0165R      | 650V  | 50kHz  | 8Ω      |
| KA5L0165RYDTU  | TO-220F-4L(Forming) |              |       |        |         |
| KA5H0165RN     | 8-DIP               | 5H0165R      | 650V  | 100kHz | 8Ω      |
| KA5M0165RN     | 8-DIP               | 5M0165R      | 650V  | 67kHz  | 8Ω      |
| KA5L0165RN     | 8-DIP               | 5L0165R      | 650V  | 50kHz  | 8Ω      |

| Product Number | Package | Marking Code | BVDSS | FOSC   | RDS(on) |
|----------------|---------|--------------|-------|--------|---------|
| KA5H0165RVN    | 8-DIP   | 5H0165RV     | 650V  | 100kHz | 8Ω      |

TU : Non Forming Type

YDTU : Forming Type

**DISCLAIMER**

FAIRCHILD SEMICONDUCTOR RESERVES THE RIGHT TO MAKE CHANGES WITHOUT FURTHER NOTICE TO ANY PRODUCTS HEREIN TO IMPROVE RELIABILITY, FUNCTION OR DESIGN. FAIRCHILD DOES NOT ASSUME ANY LIABILITY ARISING OUT OF THE APPLICATION OR USE OF ANY PRODUCT OR CIRCUIT DESCRIBED HEREIN; NEITHER DOES IT CONVEY ANY LICENSE UNDER ITS PATENT RIGHTS, NOR THE RIGHTS OF OTHERS.

**LIFE SUPPORT POLICY**

FAIRCHILD'S PRODUCTS ARE NOT AUTHORIZED FOR USE AS CRITICAL COMPONENTS IN LIFE SUPPORT DEVICES OR SYSTEMS WITHOUT THE EXPRESS WRITTEN APPROVAL OF THE PRESIDENT OF FAIRCHILD SEMICONDUCTOR CORPORATION. As used herein:

1. Life support devices or systems are devices or systems which, (a) are intended for surgical implant into the body, or (b) support or sustain life, and (c) whose failure to perform when properly used in accordance with instructions for use provided in the labeling, can be reasonably expected to result in a significant injury of the user.
2. A critical component in any component of a life support device or system whose failure to perform can be reasonably expected to cause the failure of the life support device or system, or to affect its safety or effectiveness.