

阅读申明

- 1.本站收集的数据手册和产品资料都来自互联网，版权归原作者所有。如读者和版权方有任何异议请及时告之，我们将妥善解决。
- 2.本站提供的中文数据手册是英文数据手册的中文翻译，其目的是协助用户阅读，该译文无法自动跟随原稿更新，同时也可能存在翻译上的不当。建议读者以英文原稿为参考以便获得更精准的信息。
- 3.本站提供的产品资料，来自厂商的技术支持或者使用者的心得体会等，其内容可能存在描述上的差异，建议读者做出适当判断。
- 4.如需与我们联系，请发邮件到marketing@iczoom.com，主题请标有“数据手册”字样。

Read Statement

1. The datasheets and other product information on the site are all from network reference or other public materials, and the copyright belongs to the original author and original published source. If readers and copyright owners have any objections, please contact us and we will deal with it in a timely manner.
2. The Chinese datasheets provided on the website is a Chinese translation of the English datasheets. Its purpose is for reader's learning exchange only and do not involve commercial purposes. The translation cannot be automatically updated with the original manuscript, and there may also be improper translations. Readers are advised to use the English manuscript as a reference for more accurate information.
3. All product information provided on the website refer to solutions from manufacturers' technical support or users the contents may have differences in description, and readers are advised to take the original article as the standard.
4. If you have any questions, please contact us at marketing@iczoom.com and mark the subject with "Datasheets" .

Features

- Constant Charge Current
- 3 h - 24 h Charge Time Programmable
- Low-cost DC Regulator
- Overtemperature Protection
- Charge-mode Indication
- Operation Starts at the Moment of Battery Insertion
- Fast Charge-time Test Mode

Applications

- Cordless Telephones
- Low-cost Battery-charge Timers
- Entertainment Equipment

Description

The U2403B is a monolithic integrated bipolar circuit which can be used in applications where time-controlled, constant current charge is required. The selection of the charge current versus timing is carried out by using the external circuit at pins 2, 3 and 4. For high current requirements, an external transistor is recommended in series with the battery. To protect the IC against high power loss (typically $> 140^{\circ}\text{C}$), the oscillator will be shut down when the reference voltage is switched off (0 V). The latter also takes place when there is a saturation caused by collector voltage at pin 1. When the overtemperature has disappeared and the collector voltage at pin 1 has exceeded the supply voltage ($V_1 > V_S$), charge time operation continues (see flow chart in Figure 4 on page 6).



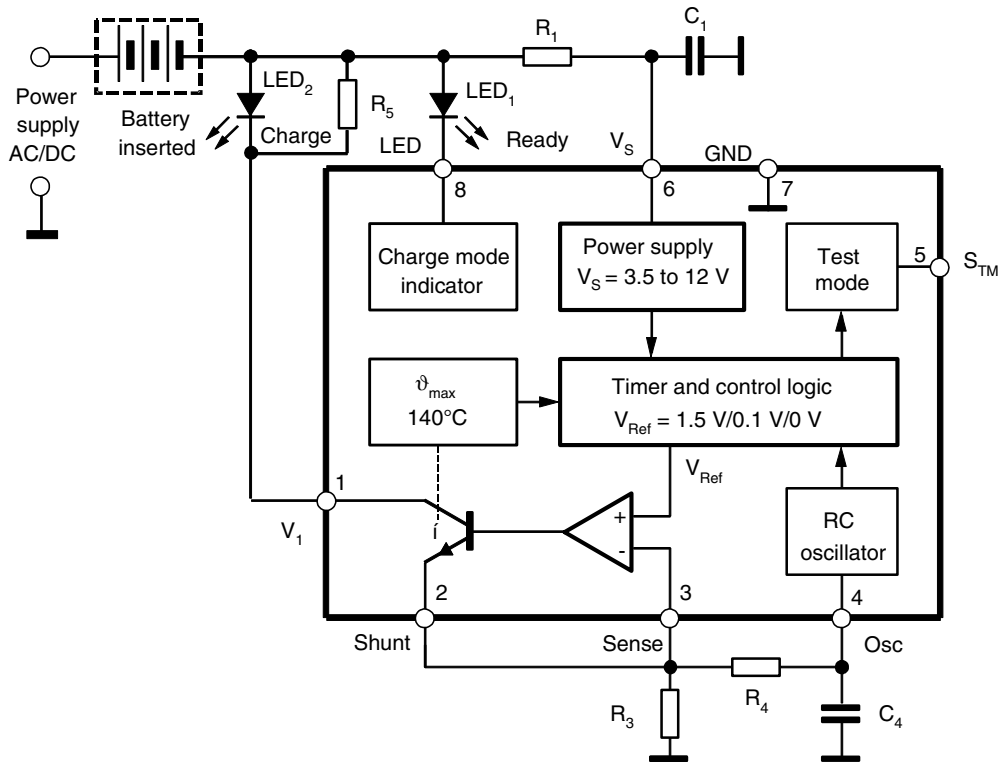
Charge Timer IC

U2403B

Rev. 4776A-INDCO-11/03

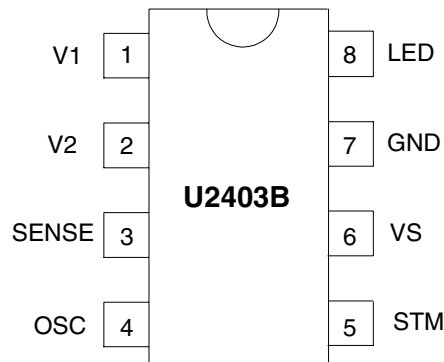


Figure 1. Block Diagram with External Circuit



Pin Configuration

Figure 2. Pinning DIP8/SO8



Pin Description

Pin	Symbol	Function
1	V1	Collector terminal
2	V2	Shunt emitter terminal
3	V3	Amplifier sense input
4	OSC	Oscillator input
5	STM	Test-mode switch
6	VS	Supply voltage
7	GND	Reference point, GND
8	LED	Charge-mode indicator

Pin 1, Collector Voltage V_1

Pin 1 is an open-collector output. When $V_1 \leq 3\text{ V}$, the charge cycle will be switched off until it has reached a value higher than the supply voltage, as shown in Figure 6 on page 10.

Pin 2, Shunt Emitter

The constant current source is supplied by the internal operational amplifier. The voltage across R_3 is determined via the internal reference source.

$$I_{ch} = V_3/R_3 \quad (V_3 = V_{sense})$$

Pin 3, Amplifier Sense Input (Inverted)

The voltage-regulated current source has a closed loop at pin 2, pin 3, and resistor R_3 .

Pin 4, Oscillator Input R_4 , C_4

The selection of the current charge versus timing is carried out by using the external circuit at pins 2, 3, and 4. Typical values are given in Table 1 on page 5.

Pin 5, Test-mode Switch for Charging Time

The charging time, t_{ch} , is given by the following equation:

$$t_{ch} = \frac{1}{f_{osc}} \times 2^n$$

where:

f_{osc} = oscillator frequency (see Figure 3)

n = frequency divider

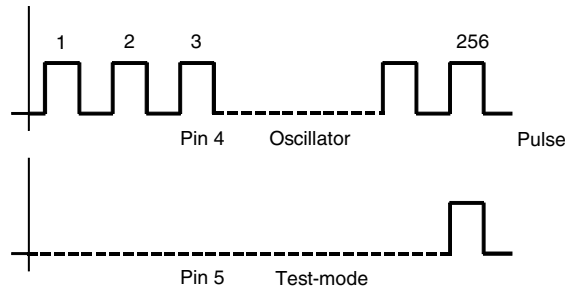
= 26, if S_{TM} open

= 17, if $S_{TM} = GND$

= 8, if $S_{TM} = V_S$

The first eight divider stages can be tested directly. 256 input tact signals at pin 4 create one tact signal at pin 5.

Figure 3. Quick Test Timer 1/3



Example

The charge time is assumed to be 6 h.

The values of R_4 and C_4 can be selected from Table 1 on page 5.

For example: $R_4 = 470 \text{ k}\Omega$

$C_4 = 680 \text{ pF}$

There is a frequency of approximately 3100 Hz at pin 4. It is possible to test the charge time of 6 h by running through the charge cycle for a very short time. By connecting pin 5 with GND, the test time is 42 s. By connecting pin 5 with pin 1 (V_1), the test time is reduced to about 82.4 ms. R_5 is connected in parallel to the LED2 and provides a protective bypass function for the LED (see Figure 1 on page 2).

Pin 6, Supply Voltage, V_S $V_S \approx 3.1 \text{ V}$ Power-on reset release (turn-on)

$V_S \approx 2.9 \text{ V}$ Under-voltage reset

$V_S \approx 13 \text{ V}$ Supply voltage limitation

Pin 7, Ground

Pin 8, Charge Mode Indicator

An open-collector output supplies constant current to LED1 after the active charge phase has been terminated. ϑ_{max} controls the function temperature for the final stage range. This is when the temperature is above 140°C and the charge function is therefore switched off.

Trickle Charge

The trickle charge starts after the charge has been terminated. In this case, the internal reference voltage is reduced from 1.5 V to approximately 0.1 V. This means the charge current is decreased by the factor:

$$K = 1.5 \text{ V} / 0.1 \text{ V} = 15$$

$$\text{Trickle current} = I_{ch}/15 + I_6 \text{ (supply current)} + I_8$$

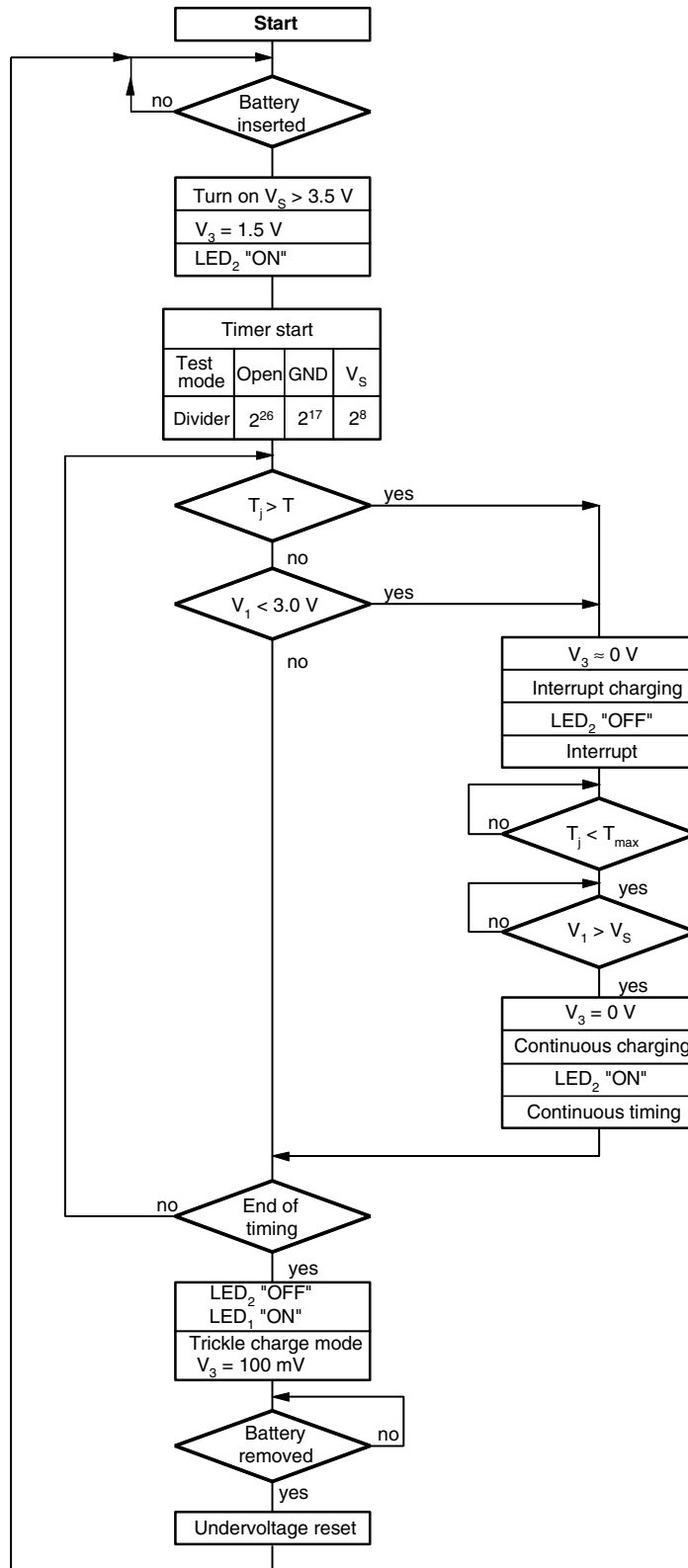
It is possible to reduce the trickle charge with resistor R_6 , as shown in Figure 7 on page 11 and Figure 8 on page 13.

Charge Characteristics

Table 1. Charge Time

Test Time/Test-mode Switch S_{TM}			Oscillator Components		Frequency
Open	V_S	GND	R_4 (k Ω)	C_4 (pF)	f_{osc} (Hz)
3 h	41.2 ms	21 s	510 430 300	270 330 470	6213
4 h	54.9 ms	28 s	620 430 300	330 470 680	4660
5 h	68.6 ms	35 s	510 390 300	470 680 1000	3728
6 h	82.4 ms	42 s	620 470 360	470 680 1000	3105
7 h	96.1 ms	49 s	560 430 220	680 1000 2200	2663
8 h	109.8 ms	56 s	620 470 200	680 1000 2200	2330
9 h	123.6 ms	1 min 3 s	750 510 240	680 1000 2200	2071
10 h	137.3 ms	1 min 10 s	620 270 130	820 2200 4700	1864
12 h	164.8 ms	1 min 24 s	390 150	2200 4700	1553
16 h	219.7 ms	1 min 56 s	470 200	2200 4700	1165

Figure 4. Flow Chart



Absolute Maximum Ratings

Stresses beyond those listed under “Absolute Maximum Ratings” may cause permanent damage to the device. This is a stress rating only and functional operation of the device at these or any other conditions beyond those indicated in the operational sections of this specification is not implied. Exposure to absolute maximum rating conditions for extended periods may affect device reliability.

Reference point pin 7 (GND), unless otherwise specified.

Parameters	Pin	Symbol	Value	Unit
Supply current $t \leq 100 \mu\text{s}$	6	I_S	20	mA
		i_s	100	mA
Currents	1	I_1	300	mA
	2	$-I_2$	310	mA
	3	I_3	1	μA
	4	I_4	15	mA
	5	I_5	-75 to +120	μA
	8	I_8	8	mA
Voltages	1, 3, 5, 6, 8	V	13.5	V
	2	V_2	1.6	V
	4	V_4	1.5	V
Junction temperature		T_j	150	$^{\circ}\text{C}$
Ambient temperature		T_{amb}	-10 to +85	$^{\circ}\text{C}$
Storage temperature range		T_{stg}	-50 to +150	$^{\circ}\text{C}$

Thermal Resistance

Parameters		Symbol	Value	Unit
Junction ambient	DIP8	R_{thJA}	120	K/W
	SO8 on PC-board	R_{thJA}	220	K/W
	SO8 on ceramic	R_{thJA}	140	K/W
	SO8 on ceramic with thermal compound	R_{thJA}	80	K/W

Electrical Characteristics

$V_S = 6\text{ V}$, $T_{\text{amb}} = 25^\circ\text{C}$, reference point pin 7 (GND), unless otherwise specified.

Parameters	Test Conditions	Pin	Symbol	Min.	Typ.	Max.	Unit
Supply voltage limitation	$I_S = 4\text{ mA}$	6	V_S	12.5		13.5	V
	$I_S = 20\text{ mA}$	6	V_S	12.6		13.7	V
Supply current	$V_S = 6\text{ V}$		I_S	1.4		2.2	V
Voltage Monitoring		6					
Turn-on threshold			V_{TON}	2.8		3.5	V
Turn-off threshold			V_{TOFF}	2.5		3.2	V
Charge-mode Indicator (LED)		8					
LED current			I_8	3.0		6.0	mA
LED saturation voltage	$I_8 = 3.7\text{ mA}$		V_8			960	mV
Leakage current			I_{lk}	-0.35		1.1	μA
Collector Terminal, Figure 6 on page 10		1					
Open-collector current			I_{CO}	15		55	μA
Saturation threshold	$V_S = 6\text{ V}$		V_{TON}	2.55	3.0	3.35	V
			V_{TOFF}	$V_S - 1\text{ V}$	V_S	$V_S - 0.4\text{ V}$	V
Shunt emitter current	$R_3 = 5.6\ \Omega$	2	I_2	250		285	mA
Operational Sense Amplifier, Figure 1 on page 2		3					
Input current	$V_3 = 0\text{ V}$		I_3	-0.6		0.08	μA
Input voltage	$V_{\text{Ref}} = 1.5\text{ V}$		V_3	1.42	1.5	1.58	V
	$V_{\text{Ref}} = 100\text{ mV}$		V_3	40	70	100	mV
	$V_{\text{Ref}} = 0\text{ V}$		V_3	-0.4		40	mV
Oscillator		4					
Leakage current	$V_4 = 0\text{ to }0.85\text{ V}$		I_{lk}	-0.5		0.1	μA
Threshold voltage	Upper		$V_{\text{T(u)}}$	875		985	mV
Oscillator frequency	$R_4 = 160\text{ k}\Omega$, $C_4 = 2.2\text{ nF}$		f_{osc}	2700		3050	Hz
	$R_4 = 680\text{ k}\Omega$, $C_4 = 4.7\text{ nF}$		f_{osc}	305		345	Hz
Test Mode Switch (S_{TM})		5					
Input current	$V_5 = 6\text{ V}$		I_5	40		120	μA
	$V_5 = 0\text{ V}$		I_5	-75		-20	μA
Output voltage	High		$V_{0(\text{H})}$	1.7		2.5	V
	Low		$V_{0(\text{L})}$	0.5		1.0	V

Internal Temperature Switch

The internal temperature monitoring is active if the chip temperature rises above 140°C. Above this temperature, the voltage at pin 3 returns to zero. Similarly, the charge current, I_{ch} , reduces according to the equation:

$$I_{ch} = V_3/R_3$$

where $I_{ch} = 1$ to 2 mA (IC supply current)

The oscillator is connected to GND via pin 3 (V_3) which holds the present time status. When the chip temperature decreases below the transition value, all functions are released and the charge time is continued. The process is reversible. If there is a higher power dissipation in the circuit ($T_j > 140^\circ\text{C}$), the temperature monitoring remains permanently activated (ON). The total cycle time is prolonged according to the interrupt-time duration, see Figure 5.

Automatic Control Protection

To reduce design costs, it is possible to select a transformer that requires minimum power supply.

The output stage of the control is selected so that it is switched off before saturation is achieved ($V_{CEsat} = 3.0\text{ V}$). In this case, the voltage at pin 3 is kept at a value of zero. The charge current is also zero, and the transformer is now an open-circuit impedance. The system becomes active again if $V_1 \geq V_S$.

The advantage of the system is that if sags of short duration appear on the mains voltage, or if the transformers used are too small, the charge duration will be increased, but the charge capacity remains the same, see Figure 6 on page 10.

Figure 5. Charge Duration - Overtemperature

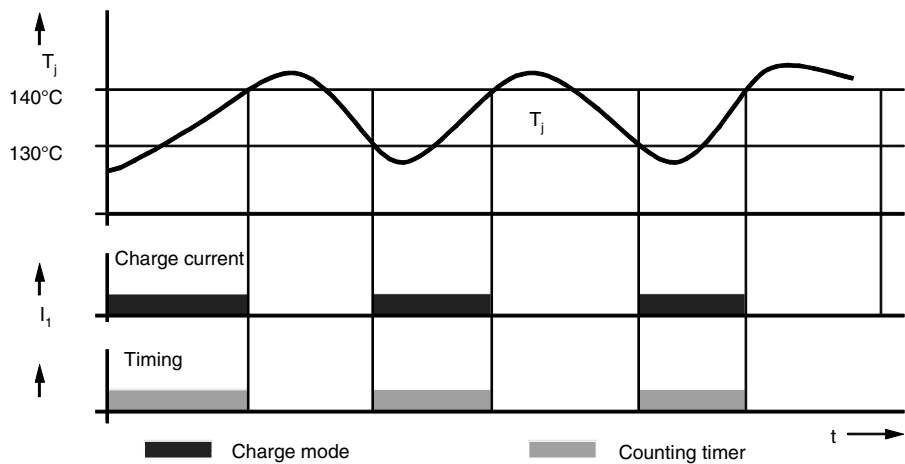
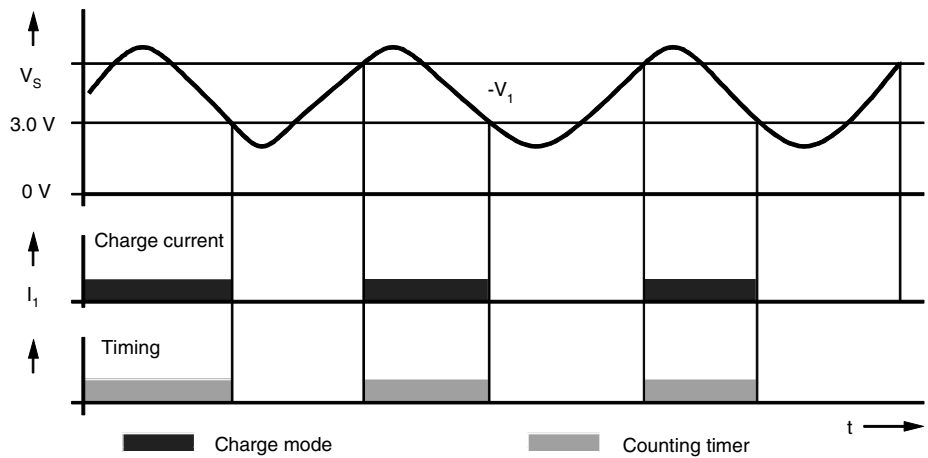


Figure 6. Charge Duration – V_1



Standard Applications

Basic Example

NiCd battery 750 mAh	$R_1 = 510 \Omega$, 1/8 W
Charging time: 3 h	$C_1 = 47 \mu\text{F}$ / 16 V
Charge current: 240 mA, 1/3 C	$R_3 = 6.2 \Omega$, 1/2 W
	$R_4 = 300 \text{ k}\Omega$
Trickle charge: 19 mA < 1/40 C	$C_4 = 470 \text{ pF}$
	$R_5 = 8.2 \Omega$, 1/2 W

Table 2. Minimum Supply Voltage

Number of Cells	DC Supply Minimum
1	6.8 V
2	8.3 V
3	9.8 V
4	11.3 V
5	12.8 V

Special Requirements of Different Charge Times

Table 3. R_4 , C_4 Values for Different Charging Times

Components	2 h	4 h	6 h	7 h	12 h
R_4	300 k Ω	430 k Ω	470 k Ω	470 k Ω	390 k Ω
C_4	330 pF	470 pF	680 pF	1 nF	2.2 nF

Special Requirements for Different Charge Currents

Table 4. R_3 , R_5 Values for Different Charge Currents

Components	240 mA	150 mA	100 mA	50 mA
R_3	6.2 Ω	10 Ω	15 Ω	30 Ω
R_5	8.2 Ω	15 Ω	22 Ω	68 Ω

Basic Equations

$$R_1 = 0.5 \text{ V}/I_S$$

$$I_S = 1.8 \text{ mA}$$

$$R_5 = V_3 / (I_{ch} - 20 \text{ mA})$$

Nominal Charge Current

$$I_{ch} = V_3 / R_3 \text{ where } V_3 = 1.48 \text{ V (typically)}$$

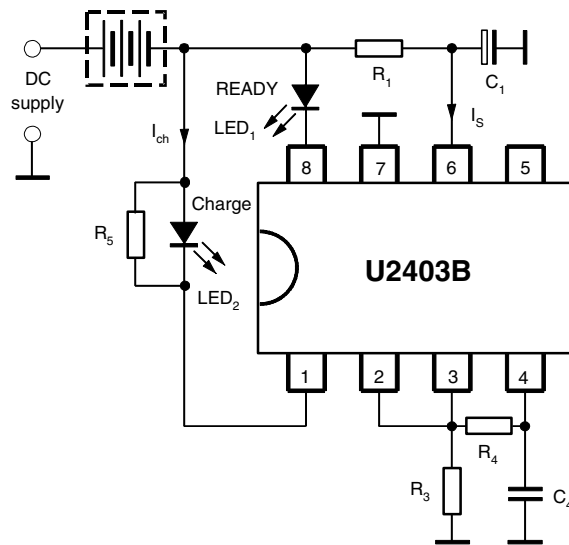
Trickle Current:

$$I_{ch} = V_3 / R_3 + I_g + I_S$$

Typical values are:

$$V_3 = 100 \text{ mV}, I_g = 4.5 \text{ mA}$$

Figure 7. Standard Application



Booster and Trickle Charge Reduction

Basic Example

NiCd battery 1000 mAh	$R_1 = 510 \Omega, 1/8 \text{ W}$
Charging time: 2 h	$C_1 = 1000 \mu\text{F}/ 16 \text{ V}$
Charge current: 500 mA	$R_3 = 3 \Omega, 1 \text{ W}$
Trickle charge: 22 mA < 1/22 C	$R_4 = 300 \text{ k}\Omega$
	$C_4 = 330 \text{ pF}$
	$R_5 = 3.9 \Omega, 1 \text{ W}$
	$C_2 = 1 \mu\text{F}$

Table 5. Supply Voltage

Number of Cells	DC Supply Minimum
1	6.5 V
2	8.0 V
3	9.5 V
4	11.0 V
5	12.5 V

Special Requirements of Different Charge Times

Table 6. R_4, C_4 Values for Different Charge Times

Components	2 h	4 h	6 h	7 h	12 h
R_4	300 k Ω	430 k Ω	470 k Ω	470 k Ω	390 k Ω
C_4	330 pF	470 pF	680 pF	1 nF	2.2 nF

Special Requirements for Different Charge Currents

Table 7. R_3, R_5 Values for Different Charge Currents

Components	616 mA	493 mA	411 mA	296 mA
R_3	2.4 Ω	3 Ω	3.6 Ω	5 Ω
R_5	3.9 Ω	3.9 Ω	4.7 Ω	6.8 Ω

$R_6 = 560 \Omega$, reduced trickle charge

Basic Equations

$$R_1 = 0.5 \text{ V}/I_S$$

$$R_5 = V_{(\text{LED}2)}/(I_{\text{ch}} - 20 \text{ mA})$$

Nominal Charge Current

$$I_{\text{ch}} = V_3/R_3$$

$$V_3 = 1.48 \text{ V, typically}$$

Trickle Current:

$$I_{ch} = V_3/R_3 + I_{LED1} + I_S - I_6$$

Typical values:

$$V_3 = 100 \text{ mV}$$

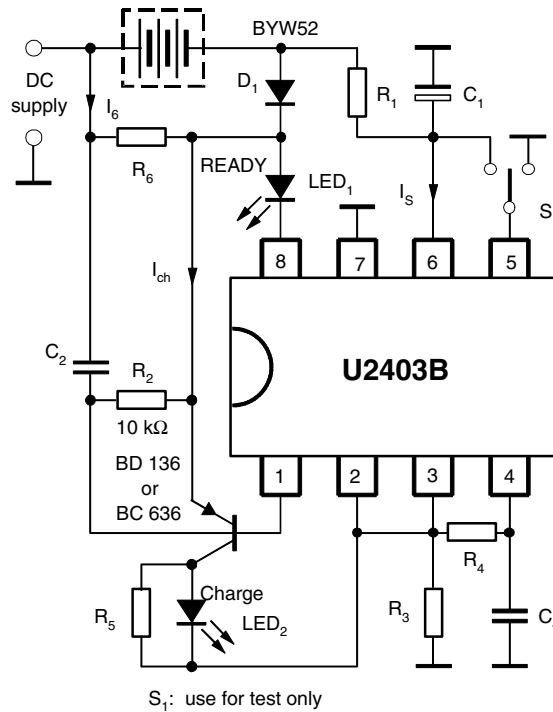
$$I_{LED1} = 4.5 \text{ mA}$$

$$I_S = 1.8 \text{ mA}$$

Trickle-charge Reduction (I_6)

$$I_6 = (V_{Batt} + V_{D1})/R_6 \quad V_{D1} = 0.75 \text{ V}$$

Figure 8. Application for Charge Current > 250 mA



To meet the requirements of higher charge currents, an external booster transistor can be used (see Figure 8). As the temperature cannot be monitored in this case, a heat sink with a reasonable size should be used for safe operation. The test mode switch S₁ can be used for accelerated production check.

Charge System at Higher Voltage up to 30 V

Charge systems with higher voltages than V_{Smax} can be realized with the additional expander circuitry, as shown in Figure 9 on page 14. This circuit contains a simple temperature monitoring function. When the temperature level is reached, the transistor, T₃, is switched on. If T₃ is switched on and there is current flow into pin 5, normal charge is terminated.

Figure 9. U2403B for Higher Supply Voltage up to 30 V with Integrated Temperature Monitoring

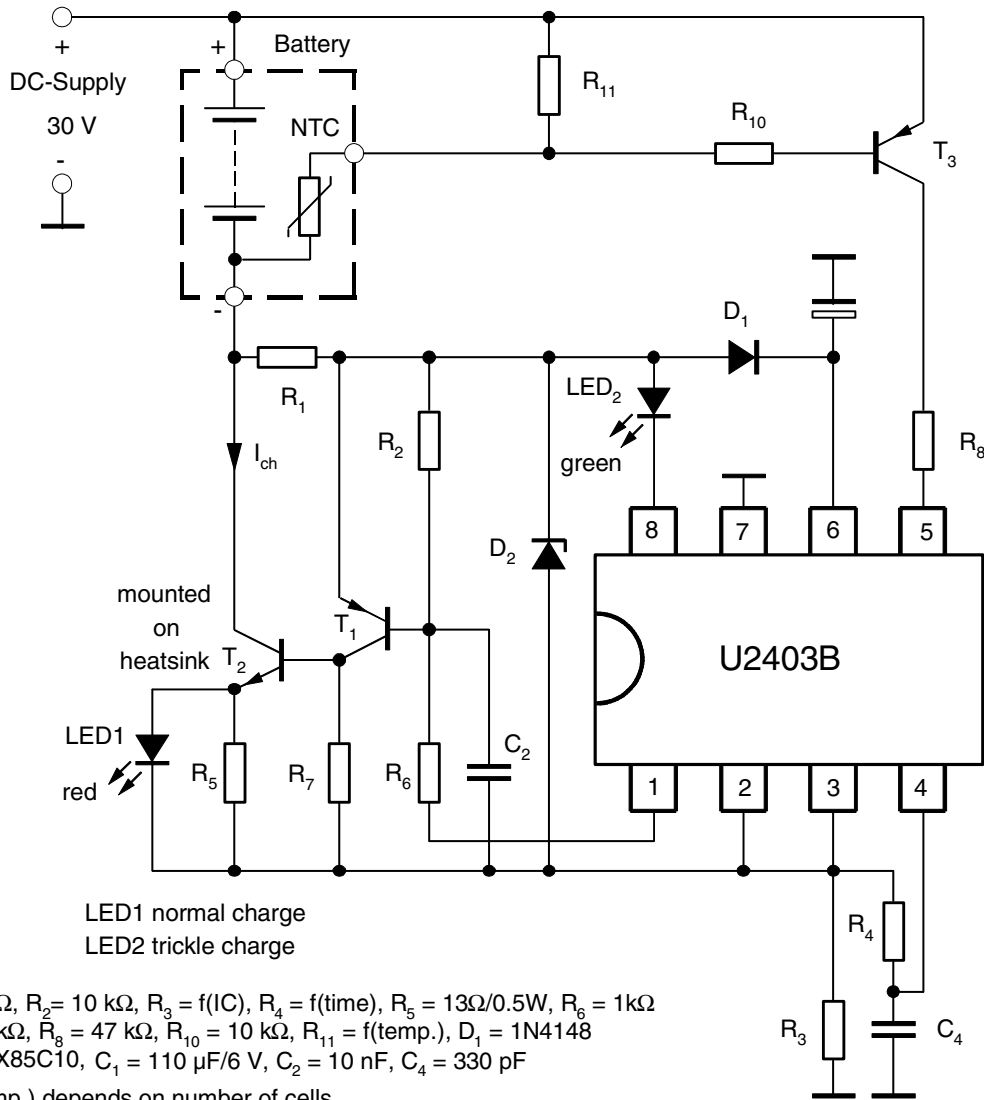


Table 8. Value of R_{11} for Different Number of Cells

Number of Cells	R_{11}
2	13 k Ω
3	8.2 k Ω
4	6.2 k Ω
5	4.7 k Ω

Table 9. NTC Resistance at Different Temperatures

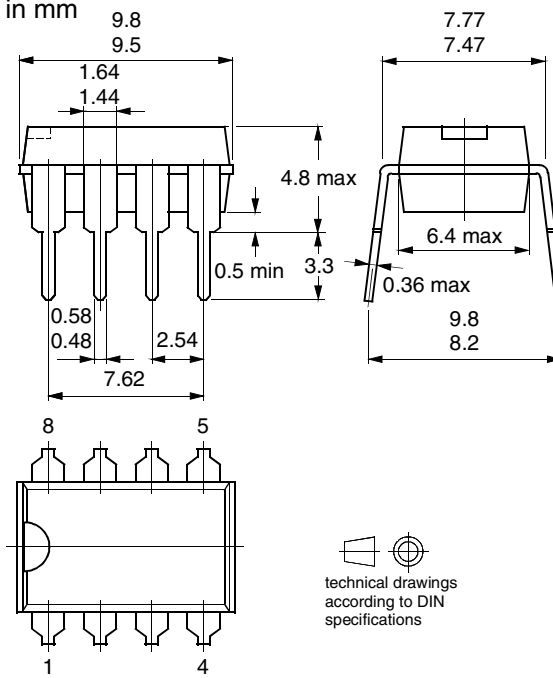
NTC Value	NTC Resistance
25°C	6.8 k Ω
40°C	3.9 k Ω
50°C	2.8 k Ω

Ordering Information

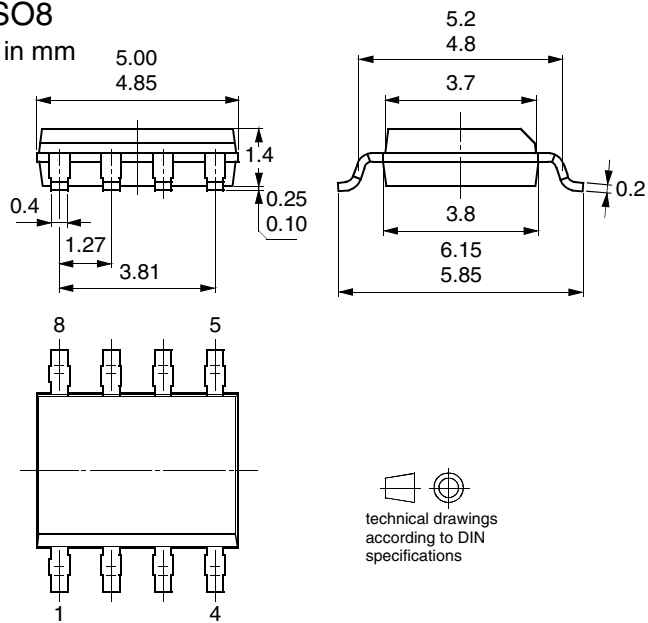
Extended Type Number	Package	Remarks
U2403B-x	DIP8	Tube
U2403B-xFP	SO8	Tube
U2403B-xFPG3	SO8	Taped and reeled

Package Information

Package DIP8
Dimensions in mm



Package SO8
 Dimensions in mm





Atmel Corporation

2325 Orchard Parkway
San Jose, CA 95131, USA
Tel: 1(408) 441-0311
Fax: 1(408) 487-2600

Regional Headquarters

Europe

Atmel Sarl
Route des Arsenalux 41
Case Postale 80
CH-1705 Fribourg
Switzerland
Tel: (41) 26-426-5555
Fax: (41) 26-426-5500

Asia

Room 1219
Chinachem Golden Plaza
77 Mody Road Tsimshatsui
East Kowloon
Hong Kong
Tel: (852) 2721-9778
Fax: (852) 2722-1369

Japan

9F, Tonetsu Shinkawa Bldg.
1-24-8 Shinkawa
Chuo-ku, Tokyo 104-0033
Japan
Tel: (81) 3-3523-3551
Fax: (81) 3-3523-7581

Atmel Operations

Memory

2325 Orchard Parkway
San Jose, CA 95131, USA
Tel: 1(408) 441-0311
Fax: 1(408) 436-4314

Microcontrollers

2325 Orchard Parkway
San Jose, CA 95131, USA
Tel: 1(408) 441-0311
Fax: 1(408) 436-4314

La Chantrerie
BP 70602
44306 Nantes Cedex 3, France
Tel: (33) 2-40-18-18-18
Fax: (33) 2-40-18-19-60

ASIC/ASSP/Smart Cards

Zone Industrielle
13106 Rousset Cedex, France
Tel: (33) 4-42-53-60-00
Fax: (33) 4-42-53-60-01

1150 East Cheyenne Mtn. Blvd.
Colorado Springs, CO 80906, USA
Tel: 1(719) 576-3300
Fax: 1(719) 540-1759

Scottish Enterprise Technology Park
Maxwell Building
East Kilbride G75 0QR, Scotland
Tel: (44) 1355-803-000
Fax: (44) 1355-242-743

RF/Automotive

Theresienstrasse 2
Postfach 3535
74025 Heilbronn, Germany
Tel: (49) 71-31-67-0
Fax: (49) 71-31-67-2340

1150 East Cheyenne Mtn. Blvd.
Colorado Springs, CO 80906, USA
Tel: 1(719) 576-3300
Fax: 1(719) 540-1759

Biometrics/Imaging/Hi-Rel MPU/ High Speed Converters/RF Datacom

Avenue de Rochepleine
BP 123
38521 Saint-Egreve Cedex, France
Tel: (33) 4-76-58-30-00
Fax: (33) 4-76-58-34-80

Literature Requests

www.atmel.com/literature

Disclaimer: Atmel Corporation makes no warranty for the use of its products, other than those expressly contained in the Company's standard warranty which is detailed in Atmel's Terms and Conditions located on the Company's web site. The Company assumes no responsibility for any errors which may appear in this document, reserves the right to change devices or specifications detailed herein at any time without notice, and does not make any commitment to update the information contained herein. No licenses to patents or other intellectual property of Atmel are granted by the Company in connection with the sale of Atmel products, expressly or by implication. Atmel's products are not authorized for use as critical components in life support devices or systems.

© Atmel Corporation 2003. All rights reserved.

Atmel® and combinations thereof are the registered trademarks of Atmel Corporation or its subsidiaries.

Other terms and product names may be the trademarks of others.



Printed on recycled paper.