

## 阅读申明

- 1.本站收集的数据手册和产品资料都来自互联网，版权归原作者所有。如读者和版权方有任何异议请及时告之，我们将妥善解决。
- 2.本站提供的中文数据手册是英文数据手册的中文翻译，其目的是协助用户阅读，该译文无法自动跟随原稿更新，同时也可能存在翻译上的不当。建议读者以英文原稿为参考以便获得更精准的信息。
- 3.本站提供的产品资料，来自厂商的技术支持或者使用者的心得体会等，其内容可能存在描述上的差异，建议读者做出适当判断。
- 4.如需与我们联系，请发邮件到marketing@iczoom.com，主题请标有“数据手册”字样。

## Read Statement

1. The datasheets and other product information on the site are all from network reference or other public materials, and the copyright belongs to the original author and original published source. If readers and copyright owners have any objections, please contact us and we will deal with it in a timely manner.
2. The Chinese datasheets provided on the website is a Chinese translation of the English datasheets. Its purpose is for reader's learning exchange only and do not involve commercial purposes. The translation cannot be automatically updated with the original manuscript, and there may also be improper translations. Readers are advised to use the English manuscript as a reference for more accurate information.
3. All product information provided on the website refer to solutions from manufacturers' technical support or users the contents may have differences in description, and readers are advised to take the original article as the standard.
4. If you have any questions, please contact us at marketing@iczoom.com and mark the subject with "Datasheets" .

# bq7718xy Overvoltage Protection for 2-Series to 5-Series Cell Li-Ion Batteries with Internal Delay Timer

## 1 Features

- 2-, 3-, 4-, and 5-Series Cell Overvoltage Protection
- Internal Delay Timer
- Fixed OVP Threshold
- High-Accuracy Overvoltage Protection:  $\pm 10$  mV
- Low Power Consumption  $I_{CC} \approx 1 \mu\text{A}$  ( $V_{\text{CELL(ALL)}} < V_{\text{PROTECT}}$ )
- Low Leakage Current Per Cell Input  $< 100$  nA
- Small Package Footprint
  - 8-pin QFN (3.00 mm  $\times$  4.00 mm)

## 2 Applications

- Protection in Li-Ion Battery Packs in:
  - Power Tools
  - UPS Battery Backup
  - Light Electric Vehicles (eBike, eScooter, Pedal Assist Bicycles)

## 3 Description

The bq7718xy family of products provides an overvoltage monitor and protector for Li-Ion battery pack systems. Each cell is monitored independently for an overvoltage condition. For quicker production-line testing, the bq7718xy device provides a Customer Test Mode (CTM) with greatly reduced delay time.

In the bq7718xy device, an internal delay timer is initiated upon detection of an overvoltage condition on any cell. Upon expiration of the delay timer, the output is triggered into its active state (either high or low depending on the configuration).

**Device Information Table<sup>(1)</sup>**

PART NUMBER	PACKAGE	BODY SIZE (NOM)
bq771800	QFN (8)	3.00 mm $\times$ 4.00 mm

(1) For all available packages, see the orderable addendum at the end of the data sheet and the [Device Comparison Table](#).



## Table of Contents

<b>1 Features</b> .....	<b>1</b>	<b>9 Detailed Description</b> .....	<b>10</b>
<b>2 Applications</b> .....	<b>1</b>	9.1 Overview .....	10
<b>3 Description</b> .....	<b>1</b>	9.2 Functional Block Diagram .....	10
<b>4 Revision History</b> .....	<b>2</b>	<b>10 Application and Implementation</b> .....	<b>11</b>
<b>5 Device Comparison Table</b> .....	<b>3</b>	10.1 Application Information .....	11
<b>6 Pin Configuration and Functions</b> .....	<b>4</b>	10.2 Typical Applications .....	12
6.1 Pin Details .....	4	10.3 Customer Test Mode .....	12
<b>7 Specifications</b> .....	<b>6</b>	<b>11 Device and Documentation Support</b> .....	<b>16</b>
7.1 Absolute Maximum Ratings .....	6	11.1 Related Links .....	16
7.2 Handling Ratings .....	6	11.2 Trademarks .....	16
7.3 Recommended Operating Conditions .....	6	11.3 Electrostatic Discharge Caution .....	16
7.4 Thermal Information .....	6	11.4 Glossary .....	16
7.5 DC Characteristics .....	7	<b>12 Mechanical, Packaging, and Orderable Information</b> .....	<b>16</b>
<b>8 Typical Characteristics</b> .....	<b>9</b>		

## 4 Revision History

NOTE: Page numbers for previous revisions may differ from page numbers in the current version.

Changes from Revision C (August 2014) to Revision D	Page
• Added the bq771815 device to Production Data .....	3
• Changed the <i>Handling Ratings</i> table .....	6
• Added note to the <i>Application and Implementation</i> section .....	11

Changes from Revision B (October 2013) to Revision C	Page
• Changed the data sheet format .....	1
• Added the bq771807 device to Production Data .....	3

Changes from Revision A (September 2013) to Revision B	Page
• Added the bq771809 device to Production Data .....	3

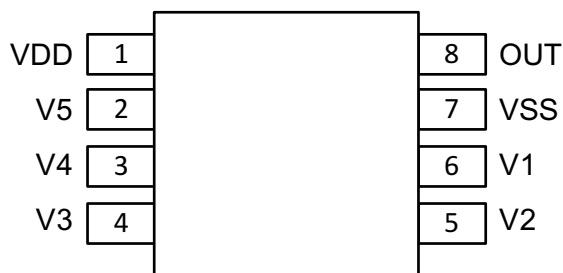
Changes from Original (December 2012) to Revision A	Page
• Added the bq771808 device to Production Data .....	3

## 5 Device Comparison Table

T <sub>A</sub>	Part Number	Package	Package Designator	OVP (V)	OV Hysteresis (V)	Output Delay	Output Drive	Tape and Reel (Large)	Tape and Reel (Small)
-40°C to 110°C	bq771800	8-Pin QFN	DPJ	4.300	0.300	4 s	CMOS Active High	bq771800DPJR	bq771800DPJT
	bq771801			4.275	0.050	3 s	NCH Active Low, Open Drain	bq771801DPJR	bq771801DPJT
	bq771802			4.225	0.300	1 s	NCH Active Low, Open Drain	bq771802DPJR	bq771802DPJT
	bq771803			4.275	0.050	1 s	NCH Active Low, Open Drain	bq771803DPJR	bq771803DPJT
	bq771804 <sup>(1)</sup>			4.225	0.300	3 s	CMOS Active High	bq771804DPJR	bq771804DPJT
	bq771805 <sup>(1)</sup>			4.325	0.300	3 s	CMOS Active High	bq771805DPJR	bq771805DPJT
	bq771806 <sup>(1)</sup>			4.350	0.300	3 s	CMOS Active High	bq771806DPJR	bq771806DPJT
	bq771807			4.450	0.300	3 s	CMOS Active High	bq771807DPJR	bq771807DPJT
	bq771808			4.200	0.050	1 s	NCH Active Low	bq771808DPJR	bq771808DPJT
	bq771809			4.200	0.050	1 s	CMOS Active High	bq771809DPJR	bq771809DPJT
	bq771810 <sup>(1)</sup>			4.200	0.250	1 s	CMOS Active High	bq771810DPJR	bq771810DPJT
	bq771811 <sup>(1)</sup>			4.225	0.050	1 s	CMOS Active High	bq771811DPJR	bq771811DPJT
	bq771812 <sup>(1)</sup>			4.250	0.050	1 s	CMOS Active High	bq771812DPJR	bq771812DPJT
	bq771813 <sup>(1)</sup>			4.250	0.050	1 s	CMOS Active High	bq771813DPJR	bq771813DPJT
	bq771814 <sup>(1)</sup>			3.900	0.300	3 s	CMOS Active High	bq771814DPJR	bq771814DPJT
	bq771815			4.225	0.050	1 s	NCH Active Low	bq771815DPJR	bq771815DPJT
	bq771816 <sup>(1)</sup>			4.250	0.050	1 s	NCH Active Low	bq771816DPJR	bq771816DPJT
bq7718xy <sup>(2)</sup>	3.850–4.650			0–0.300	1 s	NCH, Active Low, Open Drain	bq7718xyDPJR	bq7718xyDPJT	

- (1) Product Preview only.  
 (2) Future option, contact TI.

## 6 Pin Configuration and Functions



Pin Functions

bq7718xy	Pin Name	Type I/O	Description
1	VDD	P	Power supply
2	V5	I	Sense input for positive voltage of the fifth cell from the bottom of the stack
3	V4	I	Sense input for positive voltage of the fourth cell from the bottom of the stack
4	V3	I	Sense input for positive voltage of the third cell from the bottom of the stack
5	V2	I	Sense input for positive voltage of the second cell from the bottom of the stack
6	V1	I	Sense input for positive voltage of the lowest cell in the stack
7	VSS	P	Electrically connected to IC ground and negative terminal of the lowest cell in the stack
8	OUT	O	Output drive for overvoltage fault signal

### 6.1 Pin Details

In the bq7718xy device, each cell is monitored independently. Overvoltage is detected by comparing the actual cell voltage to a protection voltage reference,  $V_{OV}$ . If any cell voltage exceeds the programmed OV value, a timer circuit is activated. When the timer expires, the OUT pin goes from inactive to active state.

For NCH Open Drain Active Low configurations, the OUT pin pulls down to VSS when active (OV present) and is high impedance when inactive (no OV).

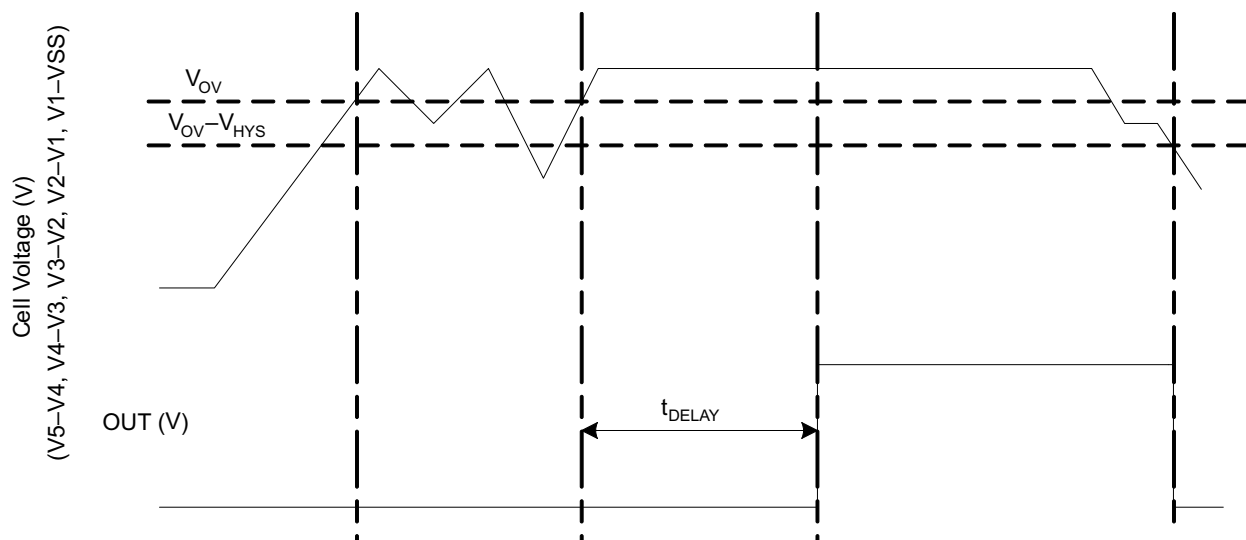


Figure 1. Timing for Overvoltage Sensing

#### 6.1.1 Sense Positive Input for Vx

This is an input to sense each single battery cell voltage. A series resistor and a capacitor across the cell for each input is required for noise filtering and stable voltage monitoring.

## **Pin Details (continued)**

### **6.1.2 Output Drive, OUT**

This pin serves as the fault signal output, and may be ordered in either active HIGH or LOW options.

### **6.1.3 Supply Input, VDD**

This pin is the unregulated input power source for the IC. A series resistor is connected to limit the current, and a capacitor is connected to ground for noise filtering.

## 7 Specifications

### 7.1 Absolute Maximum Ratings

Over-operating free-air temperature range (unless otherwise noted)<sup>(1)</sup>

		MIN	MAX	UNIT
Supply voltage range	VDD–VSS	–0.3	30	V
Input voltage range	V5–VSS or V4–VSS or V3–VSS or V2–VSS or V1–VSS	–0.3	30	V
Output voltage range	OUT–VSS	–0.3	30	V
Continuous total power dissipation, P <sub>TOT</sub>		See package dissipation rating.		
Functional temperature		–40	110	°C
Storage temperature range, T <sub>STG</sub>		–65	150	°C
Lead temperature (soldering, 10 s), T <sub>SOLDER</sub>		300		°C

(1) Stresses beyond those listed under “absolute maximum ratings” may cause permanent damage to the device. These are stress ratings only and functional operation of the device at these or any other conditions beyond those indicated under “recommended operating conditions” is not implied. Exposure to absolute-maximum-rated conditions for extended periods may affect device reliability.

### 7.2 Handling Ratings

		MIN	MAX	UNIT
T <sub>STG</sub>	Storage temperature range	–65	150	°C
V <sub>(ESD)</sub> Rating	Electrostatic discharge	Human body model (HBM) ESD stress voltage <sup>(1)</sup>	2	kV
		Charged device model (CDM) ESD stress voltage <sup>(2)</sup>	–500	500

(1) JEDEC document JEP155 states that 500-V HBM allows safe manufacturing with a standard ESD control process.

(2) JEDEC document JEP157 states that 250-V CDM allows safe manufacturing with a standard ESD control process.

### 7.3 Recommended Operating Conditions

Over-operating free-air temperature range (unless otherwise noted)

		MIN	MAX	UNIT
Supply voltage, V <sub>DD</sub> <sup>(1)</sup>		3	25	V
Input voltage range	V5–V4 or V4–V3 or V3–V2 or V2–V1 or V1–VSS	0	5	V
Operating ambient temperature range, T <sub>A</sub>		–40	110	°C

(1) See [Typical Applications](#).

### 7.4 Thermal Information

THERMAL METRIC <sup>(1)</sup>		bq7718xy	UNITS
		8 PINS	
R <sub>θJA</sub>	Junction-to-ambient thermal resistance	56.6	°C/W
R <sub>θJctop</sub>	Junction-to-case(top) thermal resistance	56.4	
R <sub>θJB</sub>	Junction-to-board thermal resistance	30.6	
ψ <sub>JT</sub>	Junction-to-top characterization parameter	1.0	
ψ <sub>JB</sub>	Junction-to-board characterization parameter	37.8	
R <sub>θJcbot</sub>	Junction-to-case(bottom) thermal resistance	11.3	

(1) For more information about traditional and new thermal metrics, see the *IC Package Thermal Metrics* application report, [SPRA953](#).

## 7.5 DC Characteristics

Typical values stated where  $T_A = 25^\circ\text{C}$  and  $V_{DD} = 18\text{ V}$ , MIN/MAX values stated where  $T_A = -40^\circ\text{C}$  to  $110^\circ\text{C}$  and  $V_{DD} = 3\text{ V}$  to  $25\text{ V}$  (unless otherwise noted).

SYMBOL	PARAMETER	CONDITION	MIN	TYP	MAX	UNIT
<b>Voltage Protection Threshold VCx</b>						
$V_{OV}$	$V_{(PROTECT)}$ Overvoltage Detection	bq771800		4.300		V
		bq771801		4.275		V
		bq771803		4.275		V
		bq771802		4.225		V
		bq771804 <sup>(1)</sup>		4.225		V
		bq771805 <sup>(1)</sup>		4.325		V
		bq771806 <sup>(1)</sup>		4.350		V
		bq771807		4.450		V
		bq771808		4.200		V
		bq771809		4.200		V
		bq771810 <sup>(1)</sup>		4.200		V
		bq771811 <sup>(1)</sup>		4.225		V
		bq771812 <sup>(1)</sup>		4.250		V
		bq771813 <sup>(1)</sup>		4.250		V
		bq771814 <sup>(1)</sup>		3.900		V
		bq771815		4.225		V
bq771816 <sup>(1)</sup>		4.250		V		
$V_{HYS}$	OV Detection Hysteresis	bq771800	250	300	400	mV
		bq771801	0	50	100	V
		bq771802	250	300	400	mV
		bq771803	0	50	100	V
		bq771804 <sup>(1)</sup>	250	300	400	mV
		bq771805 <sup>(1)</sup>	250	300	400	mV
		bq771806 <sup>(1)</sup>	250	300	400	mV
		bq771807	250	300	400	mV
		bq771808	0	50	100	V
		bq771809	0	50	100	V
		bq771810 <sup>(1)</sup>	200	250	250	mV
		bq771811 <sup>(1)</sup>	0	50	100	V
		bq771812 <sup>(1)</sup>	0	50	100	V
		bq771813 <sup>(1)</sup>	0	50	100	V
		bq771814 <sup>(1)</sup>	250	300	400	mV
		bq771815	0	50	100	V
bq771816 <sup>(1)</sup>	0	50	100	V		
$V_{OA}$	OV Detection Accuracy	$T_A = 25^\circ\text{C}$	-10		10	mV
$V_{OADRIFT}$	OV Detection Accuracy Across Temperature	$T_A = -40^\circ\text{C}$	-40		44	mV
		$T_A = 0^\circ\text{C}$	-20		20	mV
		$T_A = 60^\circ\text{C}$	-24		24	mV
		$T_A = 110^\circ\text{C}$	-54		54	mV
<b>Supply and Leakage Current</b>						
$I_{CC}$	Supply Current	$(V_5-V_4) = (V_4-V_3) = (V_3-V_2) = (V_2-V_1) = (V_1-V_{SS}) = 4.0\text{ V}$ (See <a href="#">Figure 12.</a> )		1	2	$\mu\text{A}$
$I_{IN}$	Input Current at Vx Pins	$(V_5-V_4) = (V_4-V_3) = (V_3-V_2) = (V_2-V_1) = (V_1-V_{SS}) = 4.0\text{ V}$ (See <a href="#">Figure 12.</a> )	-0.1		0.1	$\mu\text{A}$

(1) Product Preview only.



## DC Characteristics (continued)

Typical values stated where  $T_A = 25^\circ\text{C}$  and  $V_{DD} = 18\text{ V}$ , MIN/MAX values stated where  $T_A = -40^\circ\text{C}$  to  $110^\circ\text{C}$  and  $V_{DD} = 3\text{ V}$  to  $25\text{ V}$  (unless otherwise noted).

SYMBOL	PARAMETER	CONDITION	MIN	TYP	MAX	UNIT
<b>Output Drive OUT, CMOS Active HIGH Versions Only</b>						
$V_{OUT1}$	Output Drive Voltage, Active High	$(V5-V4)$ , $(V4-V3)$ , $(V3-V2)$ , $(V2-V1)$ , or $(V1-VSS) > V_{OV}$ , $V_{DD} = 18\text{ V}$ , $I_{OH} = 100\ \mu\text{A}$	6			V
		If three of four cells are short circuited and only one cell remains powered and $> V_{OV}$ , $V_{DD} = V_x$ (cell voltage), $I_{OH} = 100\ \mu\text{A}$		$V_{DD} - 0.3$		V
		$(V5-V4)$ , $(V4-V3)$ , $(V3-V2)$ , $(V2-V1)$ , and $(V1-VSS) < V_{OV}$ , $V_{DD} = 18\text{ V}$ , $I_{OL} = 100\ \mu\text{A}$ measured into pin		250	400	mV
$I_{OUTH1}$	OUT Source Current (during OV)	$(V5-V4)$ , $(V4-V3)$ , $(V3-V2)$ , $(V2-V1)$ , or $(V1-VSS) > V_{OV}$ , $V_{DD} = 18\text{ V}$ . OUT = 0 V. Measured out of OUT pin			4.5	mA
$I_{OUTL1}$	OUT Sink Current (no OV)	$(V5-V4)$ , $(V4-V3)$ , $(V3-V2)$ , $(V2-V1)$ , and $(V1-VSS) < V_{OV}$ , $V_{DD} = 18\text{ V}$ , OUT = VDD. Measured into OUT pin	0.5		14	mA
<b>Output Drive OUT, NCH Open Drain Active LOW Versions Only</b>						
$V_{OUT2}$	Output Drive Voltage, Active Low	$(V5-V4)$ , $(V4-V3)$ , $(V3-V2)$ , $(V2-V1)$ , or $(V1-VSS) > V_{OV}$ , $V_{DD} = 18\text{ V}$ , $I_{OL} = 100\ \mu\text{A}$ measured into OUT pin		250	400	mV
$I_{OUTH2}$	OUT Sink Current (during OV)	$(V5-V4)$ , $(V4-V3)$ , $(V3-V2)$ , $(V2-V1)$ , or $(V1-VSS) > V_{OV}$ , $V_{DD} = 18\text{ V}$ . OUT = VDD. Measured into OUT pin	0.5		14	mA
$I_{OUTL2}$	OUT Source Current (no OV)	$(V5-V4)$ , $(V4-V3)$ , $(V3-V2)$ , $(V2-V1)$ , and $(V1-VSS) < V_{OV}$ , $V_{DD} = 18\text{ V}$ . OUT = VDD. Measured out of OUT pin			100	nA
<b>Delay Timer</b>						
$t_{DELAY}$	OV Delay Time	bq771800	3.2	4	4.8	s
		bq771801, bq771807	2.4	3	3.6	s
		bq771802, bq771803, bq771815	0.8	1	1.2	s
		Preview option only. Contact TI.	4.4	5.5	6.6	s
$X_{CTMDELAY}$	Fault Detection Delay Time during Customer Test Mode	See <a href="#">Customer Test Mode</a> .		15		ms

## 8 Typical Characteristics

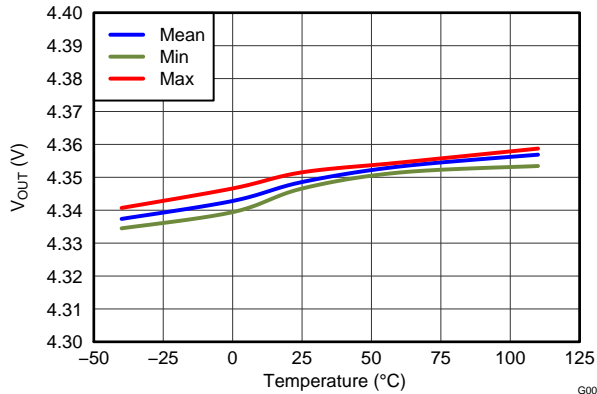


Figure 2. Overvoltage Threshold (OVT) vs. Temperature

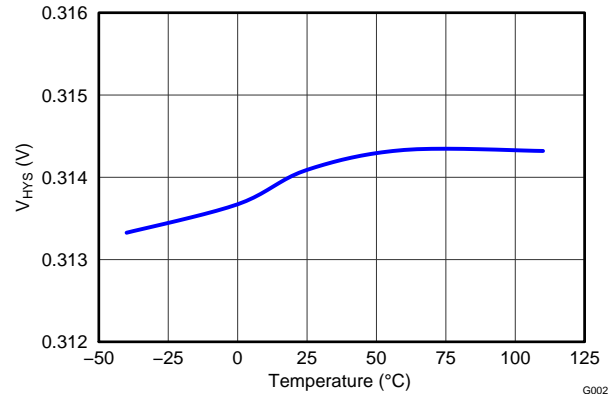


Figure 3. Hysteresis V<sub>HYS</sub> vs. Temperature

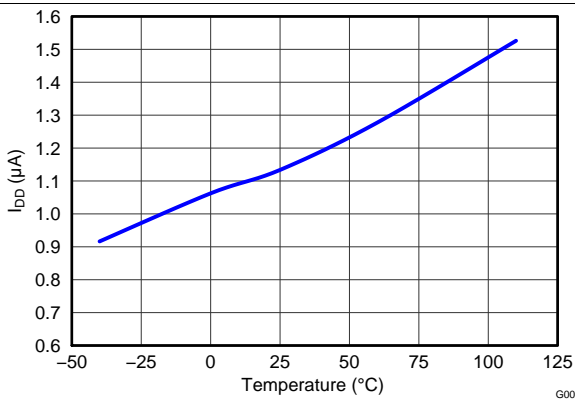


Figure 4. I<sub>DD</sub> Current Consumption vs. Temperature at V<sub>DD</sub> = 16 V

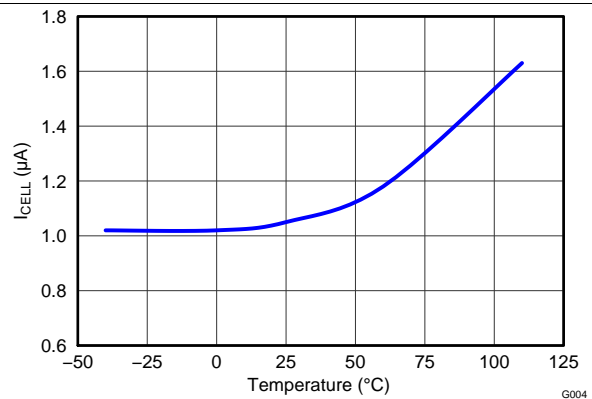


Figure 5. I<sub>CELL</sub> vs. Temperature at V<sub>CELL</sub> = 9.2 V

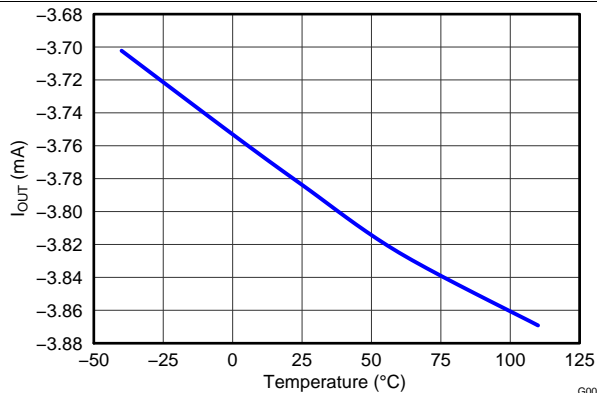


Figure 6. Output Current I<sub>OUT</sub> vs. Temperature

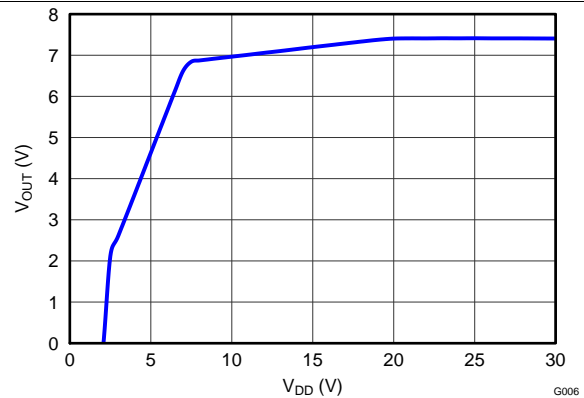


Figure 7. V<sub>OUT</sub> vs. V<sub>DD</sub>

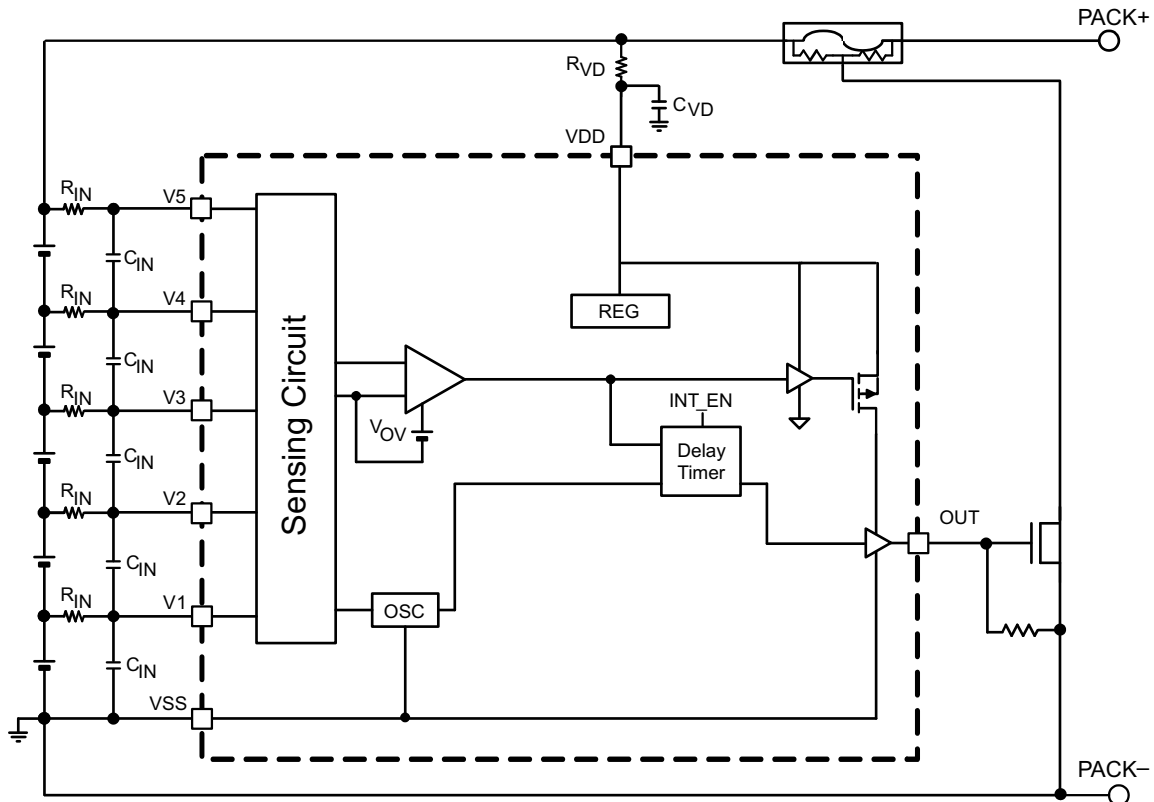
## 9 Detailed Description

### 9.1 Overview

In the bq7718xy family of devices, each cell is monitored independently and an external delay timer is initiated if an overvoltage condition is detected on any cell.

For quicker production-line testing, the device provides a Customer Test Mode with greatly reduced delay time.

### 9.2 Functional Block Diagram



## 10 Application and Implementation

### NOTE

Information in the following applications sections is not part of the TI component specification, and TI does not warrant its accuracy or completeness. TI's customers are responsible for determining suitability of components for their purposes. Customers should validate and test their design implementation to confirm system functionality.

### 10.1 Application Information

In the case of an Open Drain Active Low configuration, an external pull-up resistor is required on the OUT pin. Changes to the ranges stated in Table 1 will impact the accuracy of the cell measurements.

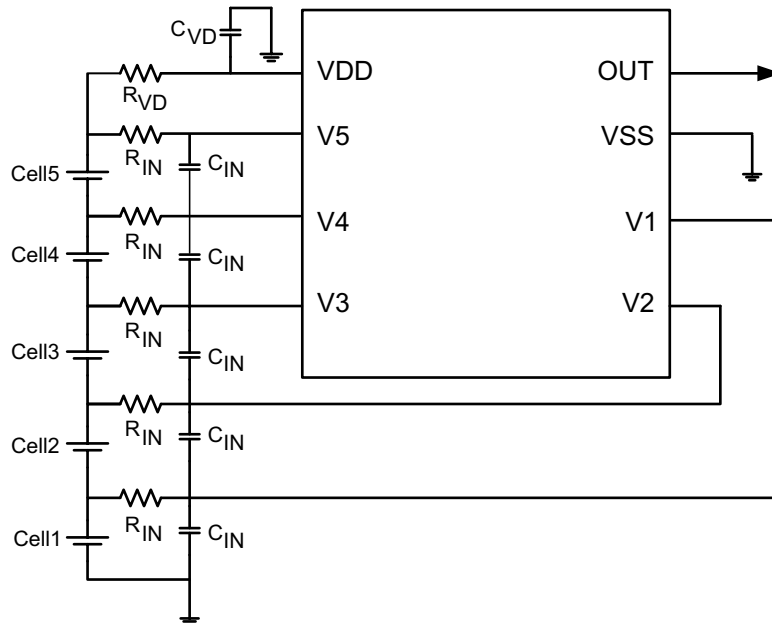


Figure 8. Application Configuration

Changes to the ranges stated in Table 1 will impact the accuracy of the cell measurements. Figure 8 shows each external component.

Table 1. Parameters

PARAMETER	EXTERNAL COMPONENT	MIN	NOM	MAX	UNIT
Voltage monitor filter resistance	$R_{IN}$	900	1000	1100	$\Omega$
Voltage monitor filter capacitance	$C_{IN}$	0.01		0.1	$\mu F$
Supply voltage filter resistance	$R_{VD}$	100		1K	$\Omega$
Supply voltage filter capacitance	$C_{VD}$		0.1		$\mu F$
CD external delay capacitance			0.1	1	$\mu F$
OUT Open drain version pull-up resistance to PACK+			100		k $\Omega$

### NOTE

The device is calibrated using an  $R_{IN}$  value = 1 k $\Omega$ . Using a value other than this recommended value changes the accuracy of the cell voltage measurements and  $V_{OV}$  trigger level.

## 10.2 Typical Applications

In these application examples, an external pull-up resistor is required on the OUT pin to configure for an Open Drain Active Low operation.

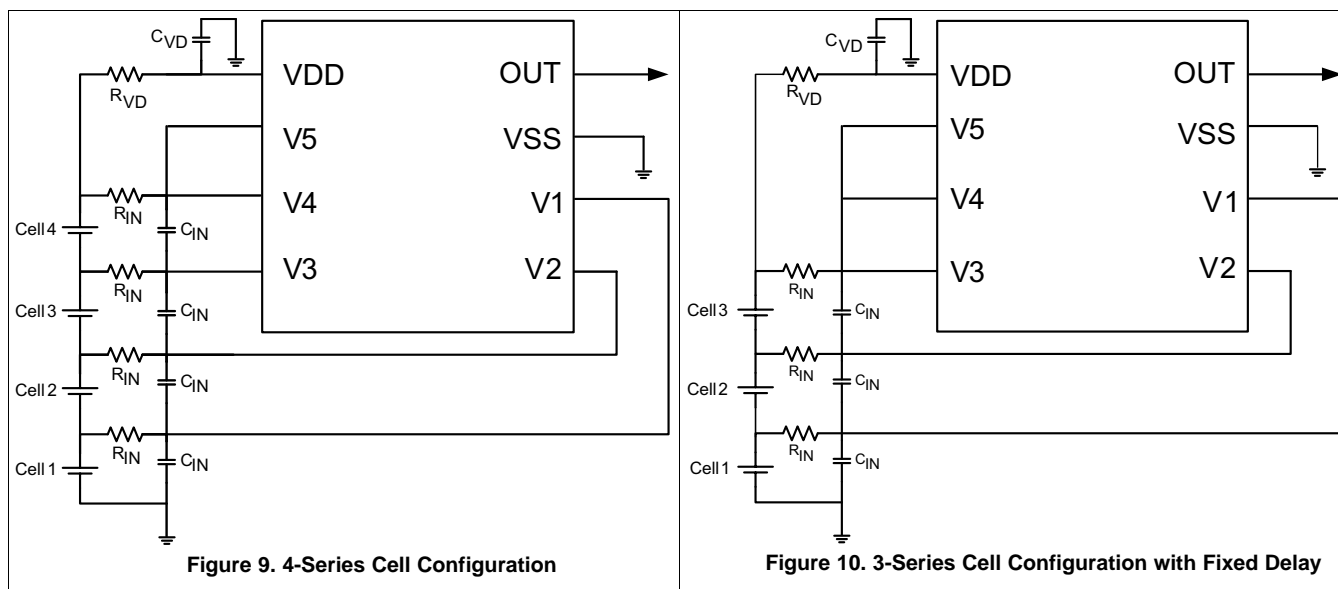


Figure 9. 4-Series Cell Configuration

Figure 10. 3-Series Cell Configuration with Fixed Delay

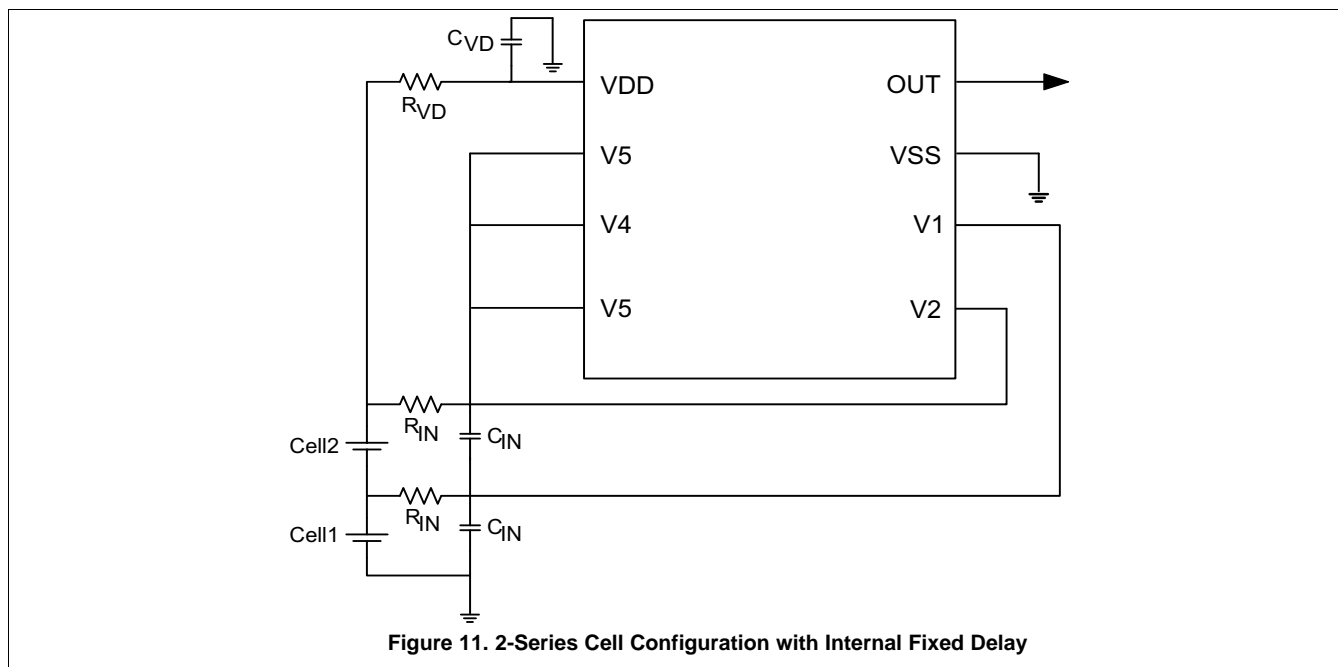


Figure 11. 2-Series Cell Configuration with Internal Fixed Delay

## 10.3 Customer Test Mode

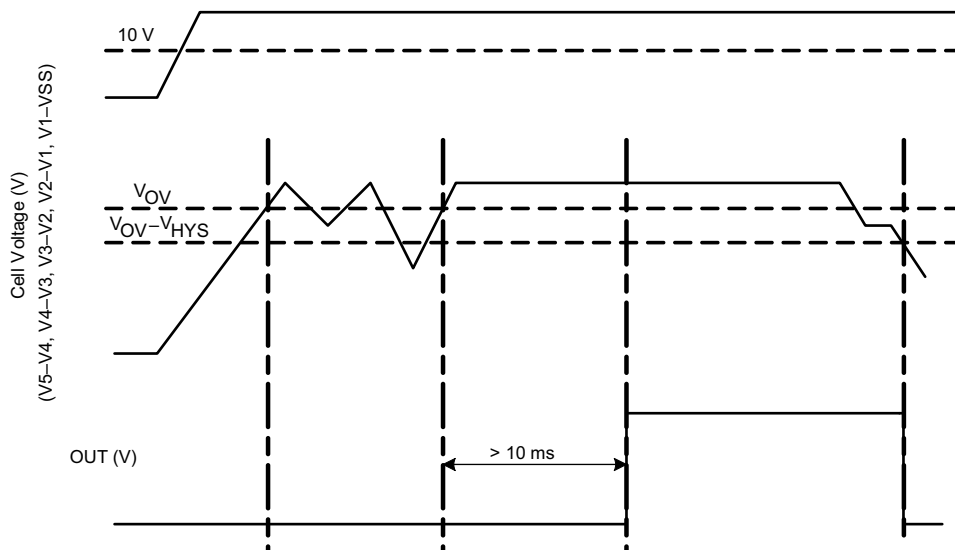
Customer Test Mode (CTM) helps to reduce test time for checking the overvoltage delay timer parameter once the circuit is implemented in the battery pack. To enter CTM, VDD should be set to at least 10 V higher than V5 (see Figure 12). The delay timer is greater than 10 ms, but considerably shorter than the timer delay in normal operation. To exit Customer Test Mode, remove the VDD to a V5 voltage differential of 10 V so that the decrease in this value automatically causes an exit.

**Customer Test Mode (continued)**

**CAUTION**

Avoid exceeding any Absolute Maximum Voltages on any pins when placing the part into Customer Test Mode. Also avoid exceeding Absolute Maximum Voltages for the individual cell voltages (V5–V4), (V4–V3), (V4–V3), (V3–V2), (V2–V1), and (V1–VSS). Stressing the pins beyond the rated limits may cause permanent damage to the device.

Figure 12 shows the timing for the Customer Test Mode.



**Figure 12. Timing for Customer Test Mode**

## Customer Test Mode (continued)

Figure 13 shows the measurement for current consumption for the product for both VDD and Vx.

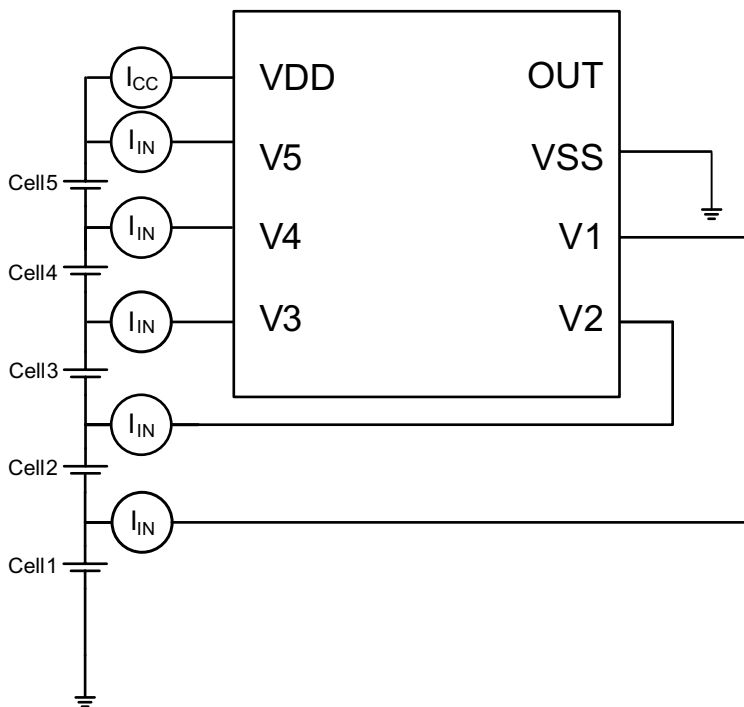


Figure 13. Configuration for IC Current Consumption Test

Customer Test Mode (continued)

10.3.1 Application Curves

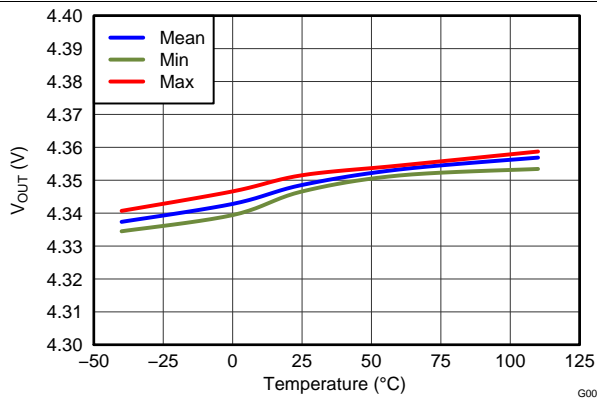


Figure 14. Overvoltage Threshold (OVT) vs. Temperature

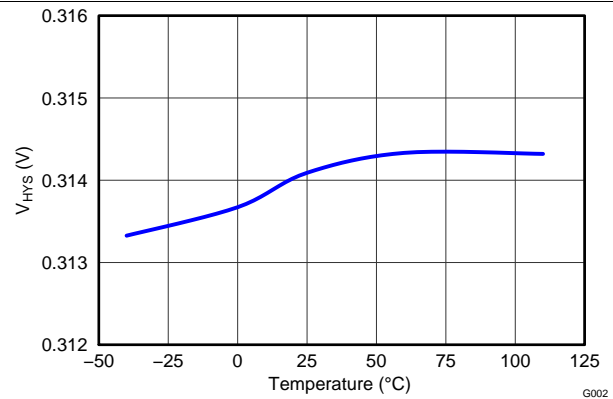


Figure 15. Hysteresis V<sub>HYS</sub> vs. Temperature

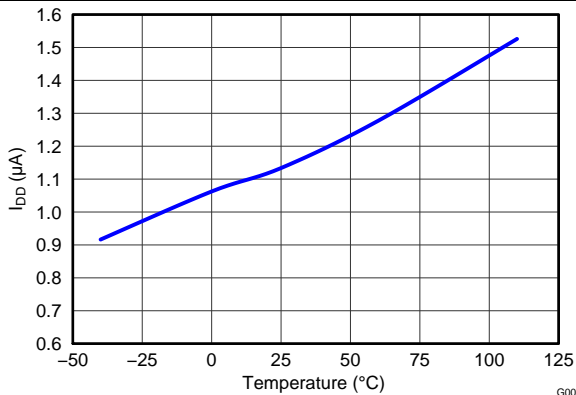


Figure 16. I<sub>DD</sub> Current Consumption vs. Temperature at V<sub>DD</sub> = 16 V

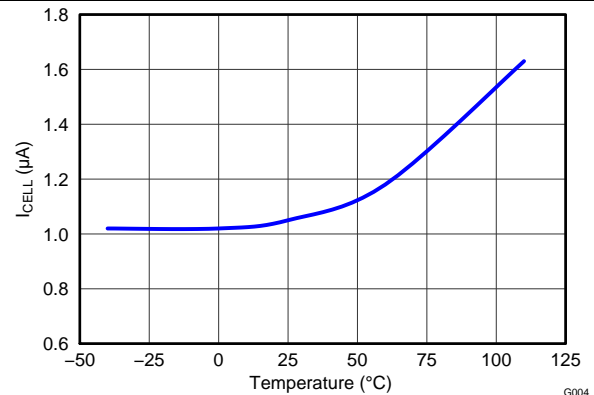


Figure 17. I<sub>CELL</sub> vs. Temperature at V<sub>CELL</sub> = 9.2 V

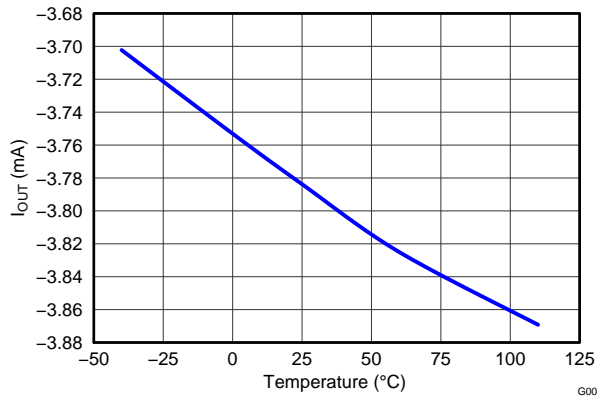


Figure 18. Output Current I<sub>OUT</sub> vs. Temperature

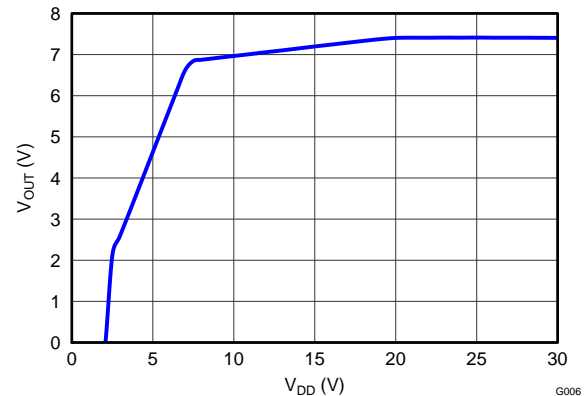


Figure 19. V<sub>OUT</sub> vs. V<sub>DD</sub>



## 11 Device and Documentation Support

### 11.1 Related Links

The table below lists quick access links. Categories include technical documents, support and community resources, tools and software, and quick access to sample or buy.

**Table 2. Related Links**

PARTS	PRODUCT FOLDER	SAMPLE & BUY	TECHNICAL DOCUMENTS	TOOLS & SOFTWARE	SUPPORT & COMMUNITY
bq771800	<a href="#">Click here</a>	<a href="#">Click here</a>	<a href="#">Click here</a>	<a href="#">Click here</a>	<a href="#">Click here</a>
bq771801	<a href="#">Click here</a>	<a href="#">Click here</a>	<a href="#">Click here</a>	<a href="#">Click here</a>	<a href="#">Click here</a>
bq771802	<a href="#">Click here</a>	<a href="#">Click here</a>	<a href="#">Click here</a>	<a href="#">Click here</a>	<a href="#">Click here</a>
bq771803	<a href="#">Click here</a>	<a href="#">Click here</a>	<a href="#">Click here</a>	<a href="#">Click here</a>	<a href="#">Click here</a>
bq771807	<a href="#">Click here</a>	<a href="#">Click here</a>	<a href="#">Click here</a>	<a href="#">Click here</a>	<a href="#">Click here</a>
bq771808	<a href="#">Click here</a>	<a href="#">Click here</a>	<a href="#">Click here</a>	<a href="#">Click here</a>	<a href="#">Click here</a>
bq771809	<a href="#">Click here</a>	<a href="#">Click here</a>	<a href="#">Click here</a>	<a href="#">Click here</a>	<a href="#">Click here</a>
bq771815	<a href="#">Click here</a>	<a href="#">Click here</a>	<a href="#">Click here</a>	<a href="#">Click here</a>	<a href="#">Click here</a>

### 11.2 Trademarks

All trademarks are the property of their respective owners.

### 11.3 Electrostatic Discharge Caution



This integrated circuit can be damaged by ESD. Texas Instruments recommends that all integrated circuits be handled with appropriate precautions. Failure to observe proper handling and installation procedures can cause damage.

ESD damage can range from subtle performance degradation to complete device failure. Precision integrated circuits may be more susceptible to damage because very small parametric changes could cause the device not to meet its published specifications.

### 11.4 Glossary

[SLYZ022](#) — *TI Glossary*.

This glossary lists and explains terms, acronyms, and definitions.

## 12 Mechanical, Packaging, and Orderable Information

The following pages include mechanical, packaging, and orderable information. This information is the most current data available for the designated devices. This data is subject to change without notice and revision of this document. For browser-based versions of this data sheet, refer to the left-hand navigation.

**PACKAGING INFORMATION**

Orderable Device	Status (1)	Package Type	Package Drawing	Pins	Package Qty	Eco Plan (2)	Lead/Ball Finish (6)	MSL Peak Temp (3)	Op Temp (°C)	Device Marking (4/5)	Samples
BQ771800DPJR	ACTIVE	WSO	DPJ	8	3000	Green (RoHS & no Sb/Br)	CU NIPDAU	Level-2-260C-1 YEAR		771800	<a href="#">Samples</a>
BQ771800DPJT	ACTIVE	WSO	DPJ	8	250	Green (RoHS & no Sb/Br)	CU NIPDAU	Level-2-260C-1 YEAR		771800	<a href="#">Samples</a>
BQ771801DPJR	ACTIVE	WSO	DPJ	8	3000	Green (RoHS & no Sb/Br)	CU NIPDAU	Level-2-260C-1 YEAR		771801	<a href="#">Samples</a>
BQ771801DPJT	ACTIVE	WSO	DPJ	8	250	Green (RoHS & no Sb/Br)	CU NIPDAU	Level-2-260C-1 YEAR		771801	<a href="#">Samples</a>
BQ771802DPJR	ACTIVE	WSO	DPJ	8	3000	Green (RoHS & no Sb/Br)	CU NIPDAU	Level-2-260C-1 YEAR		771802	<a href="#">Samples</a>
BQ771802DPJT	ACTIVE	WSO	DPJ	8	250	Green (RoHS & no Sb/Br)	CU NIPDAU	Level-2-260C-1 YEAR		771802	<a href="#">Samples</a>
BQ771803DPJR	ACTIVE	WSO	DPJ	8	3000	Green (RoHS & no Sb/Br)	CU NIPDAU	Level-2-260C-1 YEAR		771803	<a href="#">Samples</a>
BQ771803DPJT	ACTIVE	WSO	DPJ	8	250	Green (RoHS & no Sb/Br)	CU NIPDAU	Level-2-260C-1 YEAR		771803	<a href="#">Samples</a>
BQ771807DPJR	ACTIVE	WSO	DPJ	8	3000	Green (RoHS & no Sb/Br)	CU NIPDAU	Level-2-260C-1 YEAR	-40 to 85	771807	<a href="#">Samples</a>
BQ771807DPJT	ACTIVE	WSO	DPJ	8	250	Green (RoHS & no Sb/Br)	CU NIPDAU	Level-2-260C-1 YEAR	-40 to 85	771807	<a href="#">Samples</a>
BQ771808DPJR	ACTIVE	WSO	DPJ	8	3000	Green (RoHS & no Sb/Br)	CU NIPDAU	Level-2-260C-1 YEAR	-40 to 85	771808	<a href="#">Samples</a>
BQ771808DPJT	ACTIVE	WSO	DPJ	8	250	Green (RoHS & no Sb/Br)	CU NIPDAU	Level-2-260C-1 YEAR	-40 to 85	771808	<a href="#">Samples</a>
BQ771809DPJR	ACTIVE	WSO	DPJ	8	3000	Green (RoHS & no Sb/Br)	CU NIPDAU	Level-2-260C-1 YEAR	-40 to 85	771809	<a href="#">Samples</a>
BQ771809DPJT	ACTIVE	WSO	DPJ	8	250	Green (RoHS & no Sb/Br)	CU NIPDAU	Level-2-260C-1 YEAR	-40 to 85	771809	<a href="#">Samples</a>
BQ771815DPJR	ACTIVE	WSO	DPJ	8	3000	Green (RoHS & no Sb/Br)	CU NIPDAU	Level-2-260C-1 YEAR	-40 to 85	771815	<a href="#">Samples</a>
BQ771815DPJT	ACTIVE	WSO	DPJ	8	250	Green (RoHS & no Sb/Br)	CU NIPDAU	Level-2-260C-1 YEAR	-40 to 85	771815	<a href="#">Samples</a>

(1) The marketing status values are defined as follows:  
**ACTIVE:** Product device recommended for new designs.

---

**LIFEBUY:** TI has announced that the device will be discontinued, and a lifetime-buy period is in effect.

**NRND:** Not recommended for new designs. Device is in production to support existing customers, but TI does not recommend using this part in a new design.

**PREVIEW:** Device has been announced but is not in production. Samples may or may not be available.

**OBSOLETE:** TI has discontinued the production of the device.

<sup>(2)</sup> Eco Plan - The planned eco-friendly classification: Pb-Free (RoHS), Pb-Free (RoHS Exempt), or Green (RoHS & no Sb/Br) - please check <http://www.ti.com/productcontent> for the latest availability information and additional product content details.

**TBD:** The Pb-Free/Green conversion plan has not been defined.

**Pb-Free (RoHS):** TI's terms "Lead-Free" or "Pb-Free" mean semiconductor products that are compatible with the current RoHS requirements for all 6 substances, including the requirement that lead not exceed 0.1% by weight in homogeneous materials. Where designed to be soldered at high temperatures, TI Pb-Free products are suitable for use in specified lead-free processes.

**Pb-Free (RoHS Exempt):** This component has a RoHS exemption for either 1) lead-based flip-chip solder bumps used between the die and package, or 2) lead-based die adhesive used between the die and leadframe. The component is otherwise considered Pb-Free (RoHS compatible) as defined above.

**Green (RoHS & no Sb/Br):** TI defines "Green" to mean Pb-Free (RoHS compatible), and free of Bromine (Br) and Antimony (Sb) based flame retardants (Br or Sb do not exceed 0.1% by weight in homogeneous material)

<sup>(3)</sup> MSL, Peak Temp. - The Moisture Sensitivity Level rating according to the JEDEC industry standard classifications, and peak solder temperature.

<sup>(4)</sup> There may be additional marking, which relates to the logo, the lot trace code information, or the environmental category on the device.

<sup>(5)</sup> Multiple Device Markings will be inside parentheses. Only one Device Marking contained in parentheses and separated by a "~" will appear on a device. If a line is indented then it is a continuation of the previous line and the two combined represent the entire Device Marking for that device.

<sup>(6)</sup> Lead/Ball Finish - Orderable Devices may have multiple material finish options. Finish options are separated by a vertical ruled line. Lead/Ball Finish values may wrap to two lines if the finish value exceeds the maximum column width.

**Important Information and Disclaimer:** The information provided on this page represents TI's knowledge and belief as of the date that it is provided. TI bases its knowledge and belief on information provided by third parties, and makes no representation or warranty as to the accuracy of such information. Efforts are underway to better integrate information from third parties. TI has taken and continues to take reasonable steps to provide representative and accurate information but may not have conducted destructive testing or chemical analysis on incoming materials and chemicals. TI and TI suppliers consider certain information to be proprietary, and thus CAS numbers and other limited information may not be available for release.

In no event shall TI's liability arising out of such information exceed the total purchase price of the TI part(s) at issue in this document sold by TI to Customer on an annual basis.

## TAPE AND REEL INFORMATION



### QUADRANT ASSIGNMENTS FOR PIN 1 ORIENTATION IN TAPE



\*All dimensions are nominal

Device	Package Type	Package Drawing	Pins	SPQ	Reel Diameter (mm)	Reel Width W1 (mm)	A0 (mm)	B0 (mm)	K0 (mm)	P1 (mm)	W (mm)	Pin1 Quadrant
BQ771800DPJR	WSON	DPJ	8	3000	330.0	12.4	3.3	4.3	1.1	8.0	12.0	Q2
BQ771800DPJT	WSON	DPJ	8	250	180.0	12.4	3.3	4.3	1.1	8.0	12.0	Q2
BQ771801DPJR	WSON	DPJ	8	3000	330.0	12.4	3.3	4.3	1.1	8.0	12.0	Q2
BQ771801DPJT	WSON	DPJ	8	250	180.0	12.4	3.3	4.3	1.1	8.0	12.0	Q2
BQ771802DPJR	WSON	DPJ	8	3000	330.0	12.4	3.3	4.3	1.1	8.0	12.0	Q2
BQ771802DPJT	WSON	DPJ	8	250	180.0	12.4	3.3	4.3	1.1	8.0	12.0	Q2
BQ771803DPJR	WSON	DPJ	8	3000	330.0	12.4	3.3	4.3	1.1	8.0	12.0	Q2
BQ771803DPJT	WSON	DPJ	8	250	180.0	12.4	3.3	4.3	1.1	8.0	12.0	Q2
BQ771807DPJR	WSON	DPJ	8	3000	330.0	12.4	3.3	4.3	1.1	8.0	12.0	Q2
BQ771807DPJT	WSON	DPJ	8	250	180.0	12.4	3.3	4.3	1.1	8.0	12.0	Q2
BQ771808DPJR	WSON	DPJ	8	3000	330.0	12.4	3.3	4.3	1.1	8.0	12.0	Q2
BQ771808DPJT	WSON	DPJ	8	250	180.0	12.4	3.3	4.3	1.1	8.0	12.0	Q2
BQ771809DPJR	WSON	DPJ	8	3000	330.0	12.4	3.3	4.3	1.1	8.0	12.0	Q2
BQ771809DPJT	WSON	DPJ	8	250	180.0	12.4	3.3	4.3	1.1	8.0	12.0	Q2
BQ771815DPJR	WSON	DPJ	8	3000	330.0	12.4	3.3	4.3	1.1	8.0	12.0	Q2
BQ771815DPJT	WSON	DPJ	8	250	180.0	12.4	3.3	4.3	1.1	8.0	12.0	Q2

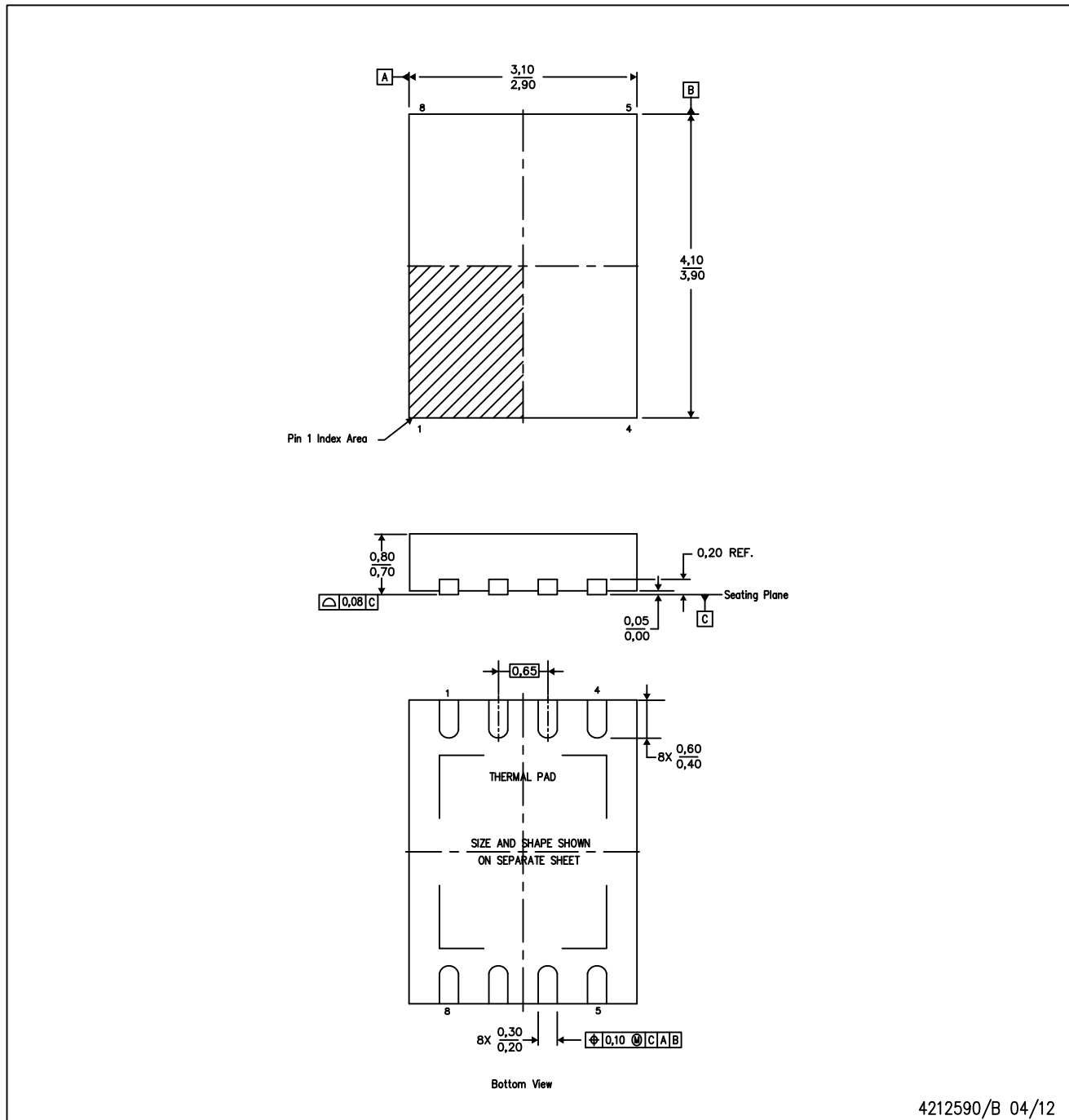
**TAPE AND REEL BOX DIMENSIONS**


\*All dimensions are nominal

Device	Package Type	Package Drawing	Pins	SPQ	Length (mm)	Width (mm)	Height (mm)
BQ771800DPJR	WSON	DPJ	8	3000	367.0	367.0	35.0
BQ771800DPJT	WSON	DPJ	8	250	210.0	185.0	35.0
BQ771801DPJR	WSON	DPJ	8	3000	367.0	367.0	35.0
BQ771801DPJT	WSON	DPJ	8	250	210.0	185.0	35.0
BQ771802DPJR	WSON	DPJ	8	3000	367.0	367.0	35.0
BQ771802DPJT	WSON	DPJ	8	250	210.0	185.0	35.0
BQ771803DPJR	WSON	DPJ	8	3000	367.0	367.0	35.0
BQ771803DPJT	WSON	DPJ	8	250	210.0	185.0	35.0
BQ771807DPJR	WSON	DPJ	8	3000	367.0	367.0	35.0
BQ771807DPJT	WSON	DPJ	8	250	210.0	185.0	35.0
BQ771808DPJR	WSON	DPJ	8	3000	367.0	367.0	35.0
BQ771808DPJT	WSON	DPJ	8	250	210.0	185.0	35.0
BQ771809DPJR	WSON	DPJ	8	3000	367.0	367.0	35.0
BQ771809DPJT	WSON	DPJ	8	250	210.0	185.0	35.0
BQ771815DPJR	WSON	DPJ	8	3000	367.0	367.0	35.0
BQ771815DPJT	WSON	DPJ	8	250	210.0	185.0	35.0

DPJ (R-PWSON-N8)

PLASTIC SMALL OUTLINE NO-LEAD



4212590/B 04/12

- NOTES:
- All linear dimensions are in millimeters. Dimensioning and tolerancing per ASME Y14.5M-1994.
  - This drawing is subject to change without notice.
  - Small Outline No-Lead (SON) package configuration.
  - The package thermal pad must be soldered to the board for thermal and mechanical performance.
  - See the additional figure in the Product Data Sheet for details regarding the exposed thermal pad features and dimensions.

## THERMAL PAD MECHANICAL DATA

DPJ (R-PWSON-N8)

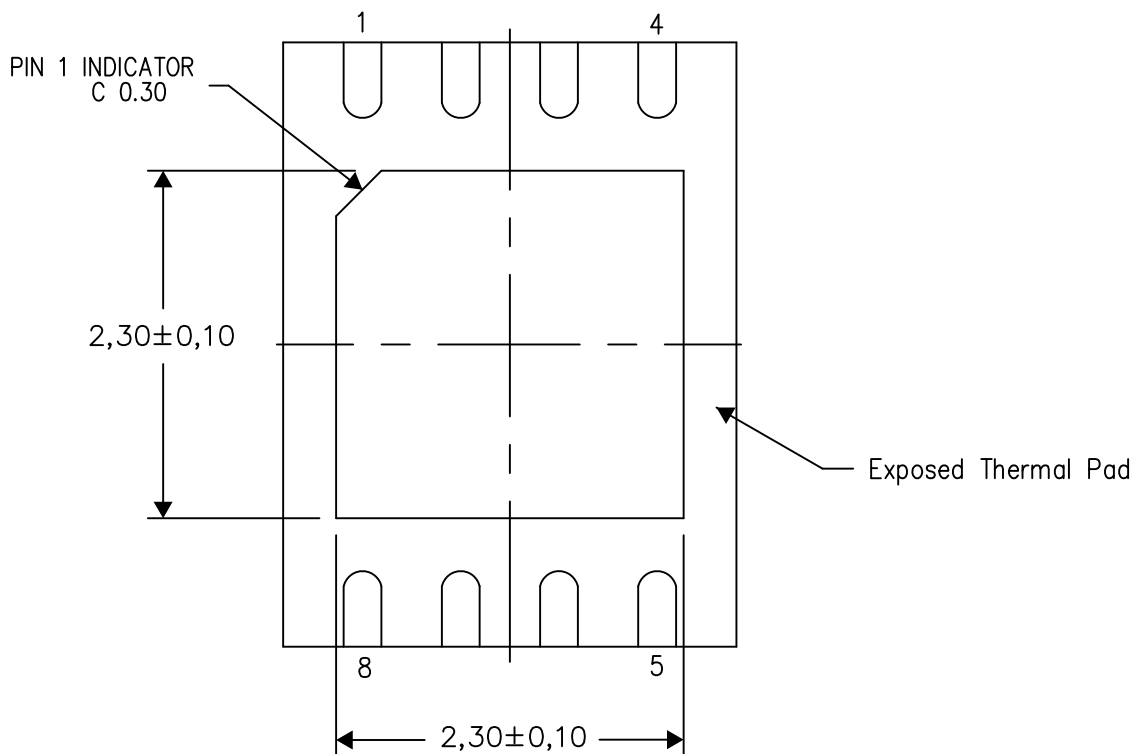
PLASTIC SMALL OUTLINE NO-LEAD

### THERMAL INFORMATION

This package incorporates an exposed thermal pad that is designed to be attached directly to an external heatsink. The thermal pad must be soldered directly to the printed circuit board (PCB). After soldering, the PCB can be used as a heatsink. In addition, through the use of thermal vias, the thermal pad can be attached directly to the appropriate copper plane shown in the electrical schematic for the device, or alternatively, can be attached to a special heatsink structure designed into the PCB. This design optimizes the heat transfer from the integrated circuit (IC).

For information on the Quad Flatpack No-Lead (QFN) package and its advantages, refer to Application Report, QFN/SON PCB Attachment, Texas Instruments Literature No. SLUA271. This document is available at [www.ti.com](http://www.ti.com).

The exposed thermal pad dimensions for this package are shown in the following illustration.



Bottom View

Exposed Thermal Pad Dimensions

4212605/A 04/12

NOTE: All linear dimensions are in millimeters

## IMPORTANT NOTICE

Texas Instruments Incorporated and its subsidiaries (TI) reserve the right to make corrections, enhancements, improvements and other changes to its semiconductor products and services per JESD46, latest issue, and to discontinue any product or service per JESD48, latest issue. Buyers should obtain the latest relevant information before placing orders and should verify that such information is current and complete. All semiconductor products (also referred to herein as "components") are sold subject to TI's terms and conditions of sale supplied at the time of order acknowledgment.

TI warrants performance of its components to the specifications applicable at the time of sale, in accordance with the warranty in TI's terms and conditions of sale of semiconductor products. Testing and other quality control techniques are used to the extent TI deems necessary to support this warranty. Except where mandated by applicable law, testing of all parameters of each component is not necessarily performed.

TI assumes no liability for applications assistance or the design of Buyers' products. Buyers are responsible for their products and applications using TI components. To minimize the risks associated with Buyers' products and applications, Buyers should provide adequate design and operating safeguards.

TI does not warrant or represent that any license, either express or implied, is granted under any patent right, copyright, mask work right, or other intellectual property right relating to any combination, machine, or process in which TI components or services are used. Information published by TI regarding third-party products or services does not constitute a license to use such products or services or a warranty or endorsement thereof. Use of such information may require a license from a third party under the patents or other intellectual property of the third party, or a license from TI under the patents or other intellectual property of TI.

Reproduction of significant portions of TI information in TI data books or data sheets is permissible only if reproduction is without alteration and is accompanied by all associated warranties, conditions, limitations, and notices. TI is not responsible or liable for such altered documentation. Information of third parties may be subject to additional restrictions.

Resale of TI components or services with statements different from or beyond the parameters stated by TI for that component or service voids all express and any implied warranties for the associated TI component or service and is an unfair and deceptive business practice. TI is not responsible or liable for any such statements.

Buyer acknowledges and agrees that it is solely responsible for compliance with all legal, regulatory and safety-related requirements concerning its products, and any use of TI components in its applications, notwithstanding any applications-related information or support that may be provided by TI. Buyer represents and agrees that it has all the necessary expertise to create and implement safeguards which anticipate dangerous consequences of failures, monitor failures and their consequences, lessen the likelihood of failures that might cause harm and take appropriate remedial actions. Buyer will fully indemnify TI and its representatives against any damages arising out of the use of any TI components in safety-critical applications.

In some cases, TI components may be promoted specifically to facilitate safety-related applications. With such components, TI's goal is to help enable customers to design and create their own end-product solutions that meet applicable functional safety standards and requirements. Nonetheless, such components are subject to these terms.

No TI components are authorized for use in FDA Class III (or similar life-critical medical equipment) unless authorized officers of the parties have executed a special agreement specifically governing such use.

Only those TI components which TI has specifically designated as military grade or "enhanced plastic" are designed and intended for use in military/aerospace applications or environments. Buyer acknowledges and agrees that any military or aerospace use of TI components which have **not** been so designated is solely at the Buyer's risk, and that Buyer is solely responsible for compliance with all legal and regulatory requirements in connection with such use.

TI has specifically designated certain components as meeting ISO/TS16949 requirements, mainly for automotive use. In any case of use of non-designated products, TI will not be responsible for any failure to meet ISO/TS16949.

### Products

Audio	<a href="http://www.ti.com/audio">www.ti.com/audio</a>
Amplifiers	<a href="http://amplifier.ti.com">amplifier.ti.com</a>
Data Converters	<a href="http://dataconverter.ti.com">dataconverter.ti.com</a>
DLP® Products	<a href="http://www.dlp.com">www.dlp.com</a>
DSP	<a href="http://dsp.ti.com">dsp.ti.com</a>
Clocks and Timers	<a href="http://www.ti.com/clocks">www.ti.com/clocks</a>
Interface	<a href="http://interface.ti.com">interface.ti.com</a>
Logic	<a href="http://logic.ti.com">logic.ti.com</a>
Power Mgmt	<a href="http://power.ti.com">power.ti.com</a>
Microcontrollers	<a href="http://microcontroller.ti.com">microcontroller.ti.com</a>
RFID	<a href="http://www.ti-rfid.com">www.ti-rfid.com</a>
OMAP Applications Processors	<a href="http://www.ti.com/omap">www.ti.com/omap</a>
Wireless Connectivity	<a href="http://www.ti.com/wirelessconnectivity">www.ti.com/wirelessconnectivity</a>

### Applications

Automotive and Transportation	<a href="http://www.ti.com/automotive">www.ti.com/automotive</a>
Communications and Telecom	<a href="http://www.ti.com/communications">www.ti.com/communications</a>
Computers and Peripherals	<a href="http://www.ti.com/computers">www.ti.com/computers</a>
Consumer Electronics	<a href="http://www.ti.com/consumer-apps">www.ti.com/consumer-apps</a>
Energy and Lighting	<a href="http://www.ti.com/energy">www.ti.com/energy</a>
Industrial	<a href="http://www.ti.com/industrial">www.ti.com/industrial</a>
Medical	<a href="http://www.ti.com/medical">www.ti.com/medical</a>
Security	<a href="http://www.ti.com/security">www.ti.com/security</a>
Space, Avionics and Defense	<a href="http://www.ti.com/space-avionics-defense">www.ti.com/space-avionics-defense</a>
Video and Imaging	<a href="http://www.ti.com/video">www.ti.com/video</a>

### TI E2E Community

[e2e.ti.com](http://e2e.ti.com)