

## 阅读申明

- 1.本站收集的数据手册和产品资料都来自互联网，版权归原作者所有。如读者和版权方有任何异议请及时告之，我们将妥善解决。
- 2.本站提供的中文数据手册是英文数据手册的中文翻译，其目的是协助用户阅读，该译文无法自动跟随原稿更新，同时也可能存在翻译上的不当。建议读者以英文原稿为参考以便获得更精准的信息。
- 3.本站提供的产品资料，来自厂商的技术支持或者使用者的心得体会等，其内容可能存在描述上的差异，建议读者做出适当判断。
- 4.如需与我们联系，请发邮件到marketing@iczoom.com，主题请标有“数据手册”字样。

## Read Statement

1. The datasheets and other product information on the site are all from network reference or other public materials, and the copyright belongs to the original author and original published source. If readers and copyright owners have any objections, please contact us and we will deal with it in a timely manner.
2. The Chinese datasheets provided on the website is a Chinese translation of the English datasheets. Its purpose is for reader's learning exchange only and do not involve commercial purposes. The translation cannot be automatically updated with the original manuscript, and there may also be improper translations. Readers are advised to use the English manuscript as a reference for more accurate information.
3. All product information provided on the website refer to solutions from manufacturers' technical support or users the contents may have differences in description, and readers are advised to take the original article as the standard.
4. If you have any questions, please contact us at marketing@iczoom.com and mark the subject with "Datasheets" .

## Features

- 10 kV – ESD Protection
- Two Comparators with Common Reference
- Tight Threshold Tolerance
- Constant Threshold
- NPN Output
- Interference and Damage-protection According to VDE 0839 and ISO/CD 7637 EMI Protection
- Reversal Polarity Protection
- Load-dump Protection



## Current Monitor IC

### U4793B

## 1. Description

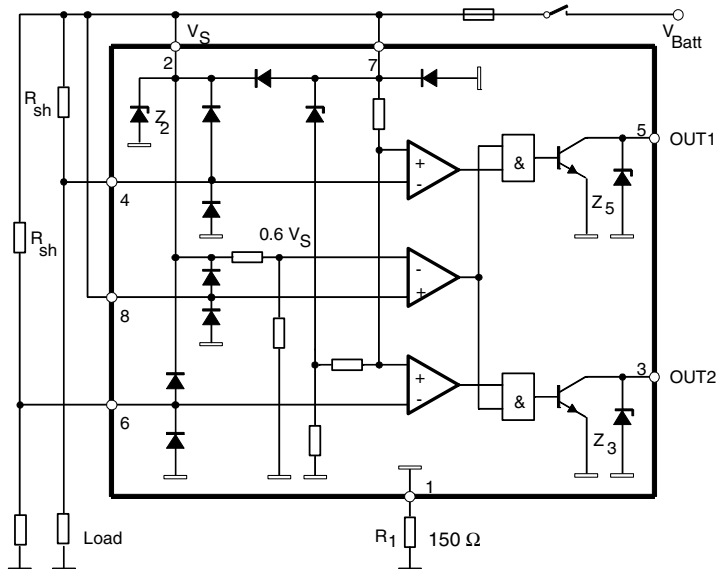
The bipolar U4793B is designed to monitor overload or a short circuit in automotive or industrial applications. The threshold is tied to  $V_{4,6} = V_S - V_T$  where  $V_T = 44.5$  mV. It is independent of the supply voltage,  $V_S$ . If the voltage drop across shunt resistor,  $R_{sh}$ , exceeds this value, the output is turned on, otherwise the output is turned off.

Without supply voltage or open input pin 8, the output is turned off. The output break-down voltage is determined by the Z-diodes  $Z_3$  and  $Z_5$  with a typical value of  $V_Z = 22$ V.

An unused comparator input must be connected to pin 7.

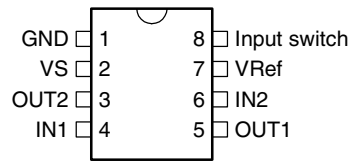
## 2. Block Diagram

Figure 2-1. Schematic and Application Circuit



### 3. Pin Configuration

**Figure 3-1.** Pinning DIP8/SO8



**Table 3-1.** Pin Description

Pin	Symbol	Function
1	GND	Reference point, ground
2	VS	Supply voltage
3	OUT2	Output 2
4	IN1	Input 1
5	OUT1	Output 1
6	IN2	Input 2
7	VRef	Reference voltage
8	Input switch	Input switch

## 4. Absolute Maximum Ratings

Stresses beyond those listed under “Absolute Maximum Ratings” may cause permanent damage to the device. This is a stress rating only and functional operation of the device at these or any other conditions beyond those indicated in the operational sections of this specification is not implied. Exposure to absolute maximum rating conditions for extended periods may affect device reliability.

Parameters	Symbol	Value	Unit
Supply voltage; pins 2 and 7	$V_S$	16.5	V
Current consumption $t = 2$ ms, measured at pin 1 (GND), pin 1	$I_1$	1.5	A
Output current, pins 3 and 5	$I_{3,5}$	20	mA
Input voltage reference point pin 7, pins 4 and 6	$-V_{4,6}$	6	V
Power dissipation, $T_{amb} = 125^\circ\text{C}$ DIP8 SO8	$P_{tot}$	220 150	mW mW
$T_{amb} = 95^\circ\text{C}$ DIP8 SO8	$P_{tot}$	420 360	mW mW
$T_{amb} = 60^\circ\text{C}$ DIP8 SO8	$P_{tot}$	690 560	mW mW
Ambient temperature range	$T_{amb}$	-40 to +125	$^\circ\text{C}$
Storage temperature range	$T_{stg}$	-55 to +125	$^\circ\text{C}$
Junction temperature	$T_j$	150	$^\circ\text{C}$

## 5. Thermal Resistance

Parameters	Symbol	Value	Unit
Junction ambient DIP8 SO8	$R_{thJA}$ $R_{thJA}$	110 160	K/W K/W

## 6. Electrical Characteristics

$V_S = 9\text{V to }15\text{V}$ ,  $T_{amb} = -40^\circ\text{C to }+125^\circ\text{C}$ , unless otherwise specified (see [Figure 2-1 on page 1](#))

No.	Parameters	Test Conditions	Pin	Symbol	Min.	Typ.	Max.	Unit	Type*
<b>1</b>	<b>Supply</b>								
1.1	Supply voltage		2, 7	$V_S$	9		15	V	A
1.2	Internal Z-diode $Z_2$		2	$V_Z$	20			V	A
1.3	Current consumption	$V_S = 12\text{V}$ measured $T_{amb} = -40^\circ\text{C}$	1	$I_1$	3.5	4.8	6.0	mA	C
1.4		$V_S = 12\text{V}$ measured $T_{amb} = 25^\circ\text{C}$	1	$I_1$	2.8	3.4	6.0	mA	A
1.5		$V_S = 12\text{V}$ measured $T_{amb} = 125^\circ\text{C}$	1	$I_1$	2.0	2.6	3.2	mA	C

\*) Type means: A = 100% tested, B = 100% correlation tested, C = Characterized on samples, D = Design parameter

## 6. Electrical Characteristics (Continued)

$V_S = 9V$  to  $15V$ ,  $T_{amb} = -40^\circ C$  to  $+125^\circ C$ , unless otherwise specified (see [Figure 2-1 on page 1](#))

No.	Parameters	Test Conditions	Pin	Symbol	Min.	Typ.	Max.	Unit	Type*
<b>2</b>	<b>Output</b>								
2.1	Output saturation voltage	$V_S = 9V$ , $I_{3,5} = 10\text{ mA}$ $T_{amb} = 25^\circ C$	3, 5	$V_{sat}$			0.5	V	A
2.2	Output Z-diodes $Z_3, Z_5$		3, 5	$V_Z$	21			V	A
<b>3</b>	<b>Control Signal</b>								
3.1	Control signal threshold	$I_{3,5} = 1\text{ mA}$ , <a href="#">Figure 6-1</a> $T_{amb} = -40^\circ C$	4, 6	$-V_T$	42	44	46	mV	C
3.2		$I_{3,5} = 1\text{ mA}$ , <a href="#">Figure 6-1</a> $T_{amb} = 25^\circ C$	4, 6	$-V_T$	43	44.5	46	mV	A
3.3		$I_{3,5} = 1\text{ mA}$ , <a href="#">Figure 6-1</a> $T_{amb} = 125^\circ C$	4, 6	$-V_T$	44.5	46	47.5	mV	C
3.4	Temperature coefficient of control signal threshold			TC		15		$\mu V/K$	C
3.5	Input currents	$T_{amb} = -40^\circ C$	4, 6	$I_I$	100		190	nA	C
3.6	Pins connected to 12V	$T_{amb} = 25^\circ C$		$I_I$	60	100	150	nA	A
3.7		$T_{amb} = 125^\circ C$		$I_I$	30		110	nA	C
3.8	Input currents	$T_{amb} = -40^\circ C$	8	$I_I$	5.5		7.0	$\mu A$	C
3.9	Pins connected to 12V	$T_{amb} = 25^\circ C$		$I_I$	4.0	5.0	5.5	$\mu A$	A
3.10		$T_{amb} = 125^\circ C$		$I_I$	3.0		4.5	$\mu A$	C
<b>4</b>	<b>Threshold</b>								
4.1	Threshold voltage	Switch identification $T_{amb} = -40^\circ C$	8	$V_8$	$0.47 \times V_S$		$0.69 \times V_S$	V	C
4.2		Switch identification $T_{amb} = 25^\circ C$		$V_8$	$0.47 \times V_S$	$0.6 V_S$	$0.69 \times V_S$	V	A
4.3		Switch identification $T_{amb} = 125^\circ C$		$V_8$	$0.47 \times V_S$		$0.69 \times V_S$	V	C
<b>5</b>	<b>Switch Delay (<math>R_L = 10\text{ k}\Omega</math> connected from Pin 3 or Pin 5 to <math>V_{Batt}</math>)</b>								
5.1	Delay time	$T_{amb} = -40^\circ C$	3, 5	$t_{d(on)}$	3	4	6	$\mu s$	C
5.2	Switch-on	$T_{amb} = 25^\circ C$		$t_{d(on)}$	4	6	8	$\mu s$	C
5.3	High to low	$T_{amb} = 125^\circ C$		$t_{d(on)}$	5	7	9	$\mu s$	C
5.4	Delay time	$T_{amb} = -40^\circ C$		$t_{d(off)}$	16	24	32	$\mu s$	C
5.5	Switch-off	$T_{amb} = 25^\circ C$		$t_{d(off)}$	18	30	50	$\mu s$	A
5.6	Low to high	$T_{amb} = 125^\circ C$		$t_{d(off)}$	30	50	70	$\mu s$	C

\*) Type means: A = 100% tested, B = 100% correlation tested, C = Characterized on samples, D = Design parameter

Figure 6-1. Timing Diagram

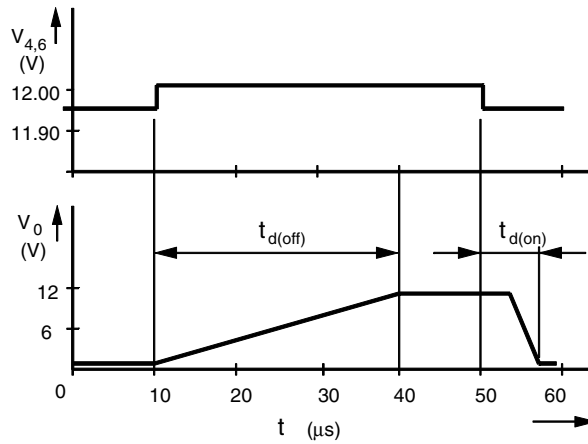
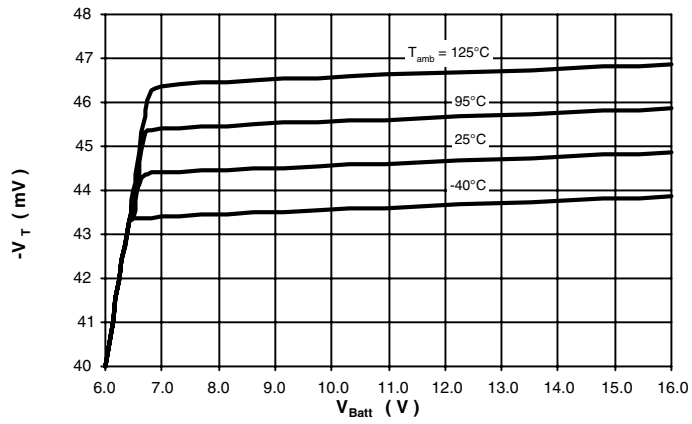


Figure 6-2. Threshold Voltage =  $f(V_{\text{Batt}}$  and Temperature)



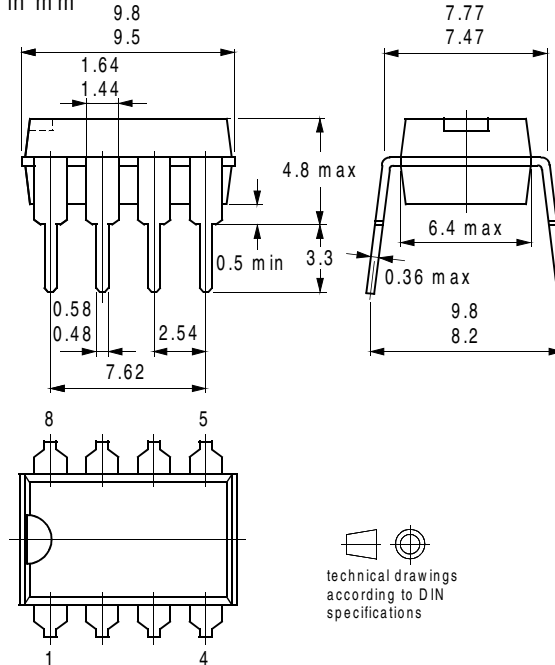
## 7. Ordering Information

Extended Type Number	Package	Remarks
U4793B-MY	DIP8	Tube, Pb-free
U4793B-MFPY	SO8	Tube, Pb-free
U4793B-MFPG3Y	SO8	Taped and reeled, Pb-free

## 8. Package Information

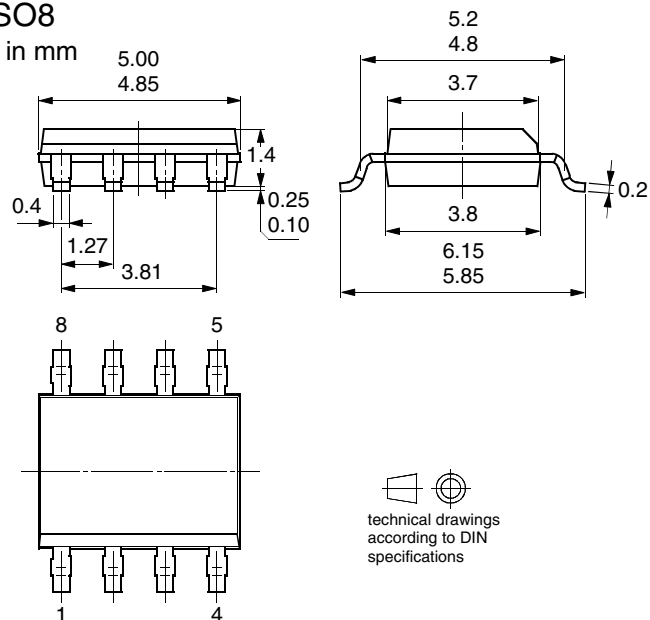
### Package DIP8

Dimensions in mm



### Package SO8

Dimensions in mm



## 9. Revision History

Please note that the following page numbers referred to in this section refer to the specific revision mentioned, not to this document.

Revision No.	History
4557B-AUTO-09/05	<ul style="list-style-type: none"><li>• Put datasheet in a new template</li><li>• Pb-free logo on page 1 added</li><li>• Ordering Information on page 6 changed</li></ul>





## Atmel Corporation

2325 Orchard Parkway  
San Jose, CA 95131, USA  
Tel: 1(408) 441-0311  
Fax: 1(408) 487-2600

## Regional Headquarters

### Europe

Atmel Sarl  
Route des Arsenaux 41  
Case Postale 80  
CH-1705 Fribourg  
Switzerland  
Tel: (41) 26-426-5555  
Fax: (41) 26-426-5500

### Asia

Room 1219  
Chinachem Golden Plaza  
77 Mody Road Tsimshatsui  
East Kowloon  
Hong Kong  
Tel: (852) 2721-9778  
Fax: (852) 2722-1369

### Japan

9F, Tonetsu Shinkawa Bldg.  
1-24-8 Shinkawa  
Chuo-ku, Tokyo 104-0033  
Japan  
Tel: (81) 3-3523-3551  
Fax: (81) 3-3523-7581

## Atmel Operations

### Memory

2325 Orchard Parkway  
San Jose, CA 95131, USA  
Tel: 1(408) 441-0311  
Fax: 1(408) 436-4314

### Microcontrollers

2325 Orchard Parkway  
San Jose, CA 95131, USA  
Tel: 1(408) 441-0311  
Fax: 1(408) 436-4314

La Chantrerie  
BP 70602  
44306 Nantes Cedex 3, France  
Tel: (33) 2-40-18-18-18  
Fax: (33) 2-40-18-19-60

### ASIC/ASSP/Smart Cards

Zone Industrielle  
13106 Rousset Cedex, France  
Tel: (33) 4-42-53-60-00  
Fax: (33) 4-42-53-60-01

1150 East Cheyenne Mtn. Blvd.  
Colorado Springs, CO 80906, USA  
Tel: 1(719) 576-3300  
Fax: 1(719) 540-1759

Scottish Enterprise Technology Park  
Maxwell Building  
East Kilbride G75 0QR, Scotland  
Tel: (44) 1355-803-000  
Fax: (44) 1355-242-743

### RF/Automotive

Theresienstrasse 2  
Postfach 3535  
74025 Heilbronn, Germany  
Tel: (49) 71-31-67-0  
Fax: (49) 71-31-67-2340

1150 East Cheyenne Mtn. Blvd.  
Colorado Springs, CO 80906, USA  
Tel: 1(719) 576-3300  
Fax: 1(719) 540-1759

### Biometrics/Imaging/Hi-Rel MPU/ High Speed Converters/RF Datacom

Avenue de Rochepleine  
BP 123  
38521 Saint-Egreve Cedex, France  
Tel: (33) 4-76-58-30-00  
Fax: (33) 4-76-58-34-80

---

### Literature Requests

[www.atmel.com/literature](http://www.atmel.com/literature)

**Disclaimer:** The information in this document is provided in connection with Atmel products. No license, express or implied, by estoppel or otherwise, to any intellectual property right is granted by this document or in connection with the sale of Atmel products. **EXCEPT AS SET FORTH IN ATMEL'S TERMS AND CONDITIONS OF SALE LOCATED ON ATMEL'S WEB SITE, ATMEL ASSUMES NO LIABILITY WHATSOEVER AND DISCLAIMS ANY EXPRESS, IMPLIED OR STATUTORY WARRANTY RELATING TO ITS PRODUCTS INCLUDING, BUT NOT LIMITED TO, THE IMPLIED WARRANTY OF MERCHANTABILITY, FITNESS FOR A PARTICULAR PURPOSE, OR NON-INFRINGEMENT. IN NO EVENT SHALL ATMEL BE LIABLE FOR ANY DIRECT, INDIRECT, CONSEQUENTIAL, PUNITIVE, SPECIAL OR INCIDENTAL DAMAGES (INCLUDING, WITHOUT LIMITATION, DAMAGES FOR LOSS OF PROFITS, BUSINESS INTERRUPTION, OR LOSS OF INFORMATION) ARISING OUT OF THE USE OR INABILITY TO USE THIS DOCUMENT, EVEN IF ATMEL HAS BEEN ADVISED OF THE POSSIBILITY OF SUCH DAMAGES.** Atmel makes no representations or warranties with respect to the accuracy or completeness of the contents of this document and reserves the right to make changes to specifications and product descriptions at any time without notice. Atmel does not make any commitment to update the information contained herein. Unless specifically provided otherwise, Atmel products are not suitable for, and shall not be used in, automotive applications. Atmel's products are not intended, authorized, or warranted for use as components in applications intended to support or sustain life.

© Atmel Corporation 2005. All rights reserved. Atmel®, logo and combinations thereof, Everywhere You Are® and others, are registered trademarks or trademarks of Atmel Corporation or its subsidiaries. Other terms and product names may be trademarks of others.



Printed on recycled paper.

4557B-AUTO-09/05