

阅读申明

- 1.本站收集的数据手册和产品资料都来自互联网，版权归原作者所有。如读者和版权方有任何异议请及时告之，我们将妥善解决。
- 2.本站提供的中文数据手册是英文数据手册的中文翻译，其目的是协助用户阅读，该译文无法自动跟随原稿更新，同时也可能存在翻译上的不当。建议读者以英文原稿为参考以便获得更精准的信息。
- 3.本站提供的产品资料，来自厂商的技术支持或者使用者的心得体会等，其内容可能存在描述上的差异，建议读者做出适当判断。
- 4.如需与我们联系，请发邮件到marketing@iczoom.com，主题请标有“数据手册”字样。

Read Statement

1. The datasheets and other product information on the site are all from network reference or other public materials, and the copyright belongs to the original author and original published source. If readers and copyright owners have any objections, please contact us and we will deal with it in a timely manner.
2. The Chinese datasheets provided on the website is a Chinese translation of the English datasheets. Its purpose is for reader's learning exchange only and do not involve commercial purposes. The translation cannot be automatically updated with the original manuscript, and there may also be improper translations. Readers are advised to use the English manuscript as a reference for more accurate information.
3. All product information provided on the website refer to solutions from manufacturers' technical support or users the contents may have differences in description, and readers are advised to take the original article as the standard.
4. If you have any questions, please contact us at marketing@iczoom.com and mark the subject with "Datasheets" .

STRUCTURE : Silicon Monolithic Integrated Circuit
 PRODUCT SERIES : Power Driver for Compact Disc Player
 TYPE : BA5969FP
 PACKAGE OUTLINES : fig.1 (Plastic Mold)
 POWER DISSIPATION : fig.2
 BLOCK DIAGRAM : fig.3
 APPLICATION : fig.4
 TEST CIRCUIT : fig.5,6

FUNCTION: ·4 channel BTL driver, 1channel reversible driver.
 ·Small surface mounting power package (HSOP-28).
 ·Thermal-shut-down circuit built in.
 ·Wide dynamic range (6.0V(Typ.) at VCC=8V,RL=8).
 <BTL driver>
 ·Input pins consist of (+) and (-), therefore various input types are available such as differential input(CH3, 4).
 <Loading driver>
 ·Brake circuit built in.
 ·Circuit protection diode built in.
 ·The output voltage is adjustable by output voltage control terminal. (Only "H" side Voltage)

ABSOLUTE MAXIMUM RATINGS (Ta = 25)

Parameter	Symbol	Limit	Unit
Supply Voltage	Vcc	13.5	V
Power dissipation	Pd	1.7 *1	W
Operating temperature	Topr	-40 ~ 85	
Storage temperature	Tstg	-55 ~ 150	

*1) On less than 3% (percentage occupied by copper foil),70 × 70mm², t=1.6mm, glass epoxy mounting. Reduce power by 13.6mW for each degree above 25 .

GUARANTEED OPERATING RANGES

VCC	4.3 ~ 9V
-----	----------

Status of this document

The Jpanese version of this document is the formal specification.

A customer may use this translation version only for a reference to help reading the formal version.

If there are any differences in translation version of this document, formal version takes priority.

ELECTRICAL CHARACTERISTICS

 (Unless otherwise note, $T_a = 25$, $V_{cc}=8V$, $BIAS=2.5V$, $R_L=8$)

Parameter	Symbol	MIN	TYP	MAX	Unit	Condition	test circuit
Quiescent current	ICC	-	24	34	mA	$R_L=$	fig.5
< BTL driver >							
Output offset voltage	VOO	-50	0	50	mV		fig.6
Max. output voltage	VOM	5.4	6.0	-	V		fig.6
Closed loop voltage gain	GVC	14.0	16.1	18.0	dB		fig.6
Mute on voltage	VMTON	-	-	0.5	V		fig.5
Mute off voltage	VMTOFF	1.5	-	-	V		fig.5
Input current for Mute pin	IMUTE	-	180	270	μA	VMUTE=5V	fig.5
Bias mute on voltage	VBMUTE ON	-	-	0.5	V		fig.5
Bias mute off voltage	VBMUTE OFF	1.1	-	-	V		fig.5
Input current for Bias pin	IBIAS	-	75	120	μA	VBIAS=2.5V	fig.5
< OP-AMP >							
Common mode input voltage range	VICM	0.5	-	6.8	V		fig.6
Input offset voltage	VOFOP	-6	0	6	mV		fig.6
Input bias current	IBOP	-	-	300	nA		fig.6
High level output voltage	VOHOP	7.5	-	-	V		fig.6
Low level output voltage	VOLOP	-	-	0.5	V		fig.6
Output sink current	ISIN	1	-	-	mA	Output to VCC by 50	fig.6
Output source current	ISOU	1	-	-	mA	Output to GND by 50	fig.6
Slew rate	SROP	-	1	-	V/us	Input pulse 100KHz, 2Vp-p	fig.6
< Loading driver >							
Output saturation voltage 1	VSAT1	0.6	0.9	1.4	V	Upper+Lower saturation, IL=200mA	fig.6
Output saturation voltage between F&R	VSAT1	-	-	0.1	V	Output saturation voltage 1 between FWD and REV	fig.6
Output saturation voltage 2	VSAT2	0.7	1.2	2.0	V	Upper+Lower saturation, IL=500mA	fig.6
Voltage gain	LGVC	6.6	8.6	10.6	dB	VOLD/ VLDCTL (VLDCTL=2V)	fig.6
< Loading driver input logic >							
Input high level voltage	VIHLD	1.5	-	VCC	V		fig.5
Input low level voltage	VILLD	-0.3	-	0.5	V		fig.5
Input high level current	IIHLD	-	180	270	μA	VFWD=VREV=5V	fig.5

This product is not designed for protection against radioactive rays.

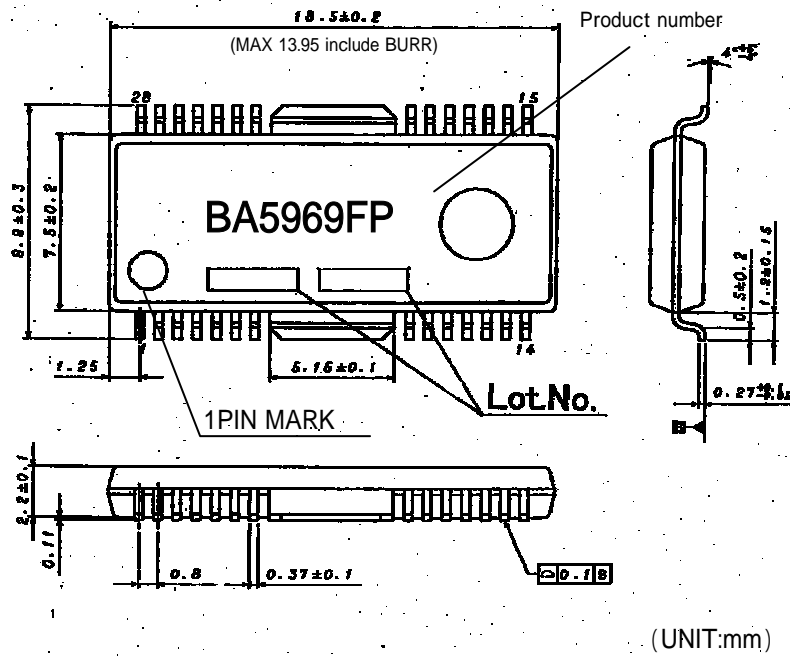
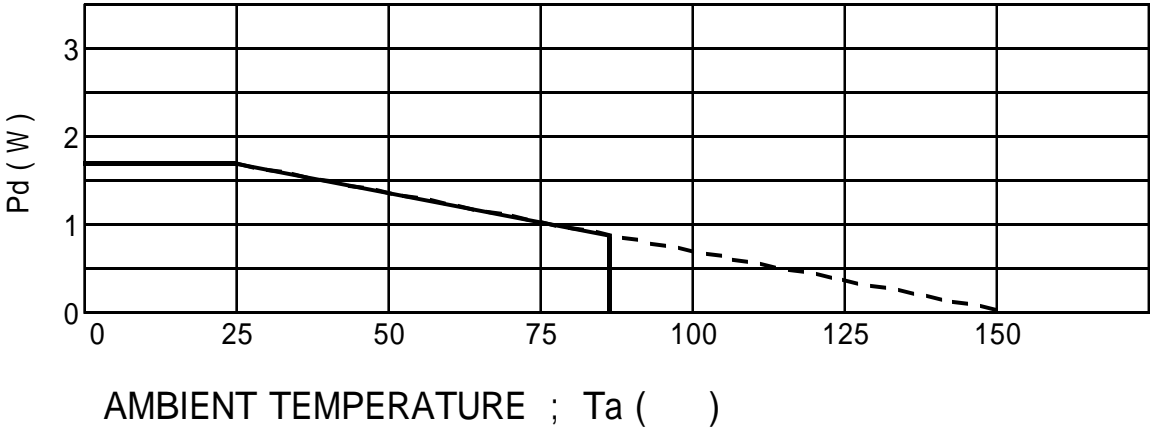


fig.1 PACKAGE OUTLINES

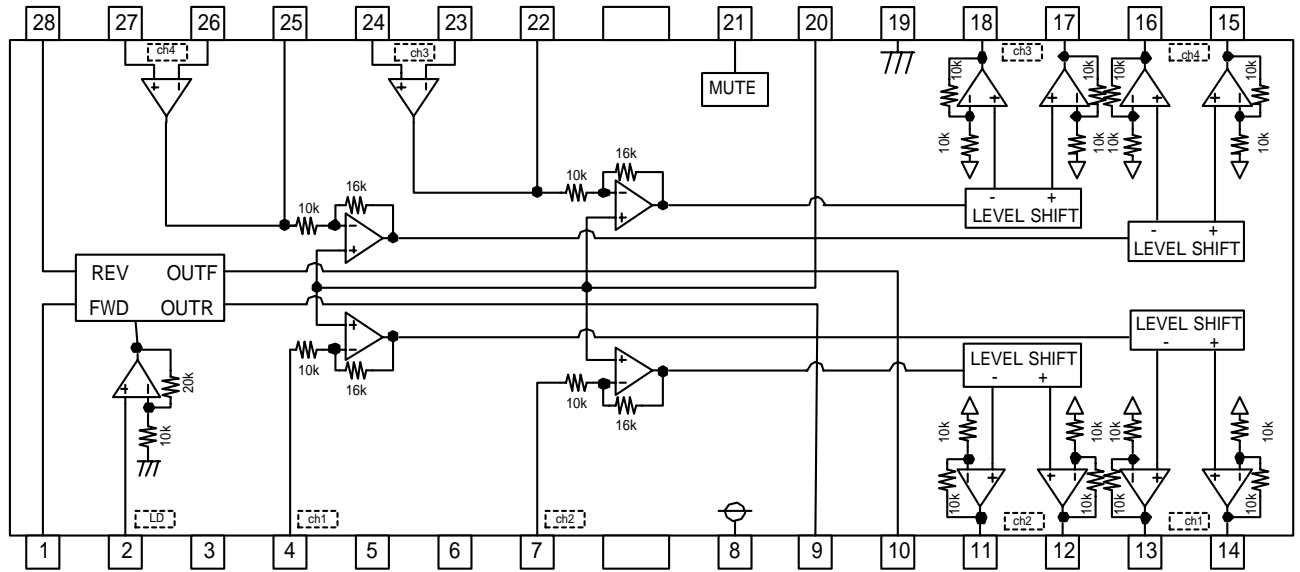
Electrical characteristic curves



Pd ; power dissipation

* On less than 3% (percentage occupied by copper foil), 70 × 70mm², t=1.6mm, glass epoxy mounting.

fig.2 POWER DISSIPATION



resistor unit []

fig.3 BLOCK DIAGRAM

Pin description

No	Symbol	Function	No	Symbol	Function
1	FWD	Input for loading forward	15	VO4(+)	Non inverted output of CH4
2	LDCTL	Loading driver output voltage control terminal	16	VO4(-)	Inverted output of CH4
3	TEST	TEST	17	VO3(+)	Non inverted output of CH3
4	IN1	Input of CH1	18	VO3(-)	Inverted output of CH3
5	TEST	TEST	19	GND	Substrate ground
6	TEST	TEST	20	BIAS	Input for Bias-amplifier
7	IN2	Input of CH2	21	MUTE	Input for mute control
8	VCC	VCC	22	OPOUT3	Output of CH3 OP-AMP
9	VOL(-)	Inverted output of loading	23	OPIN3(-)	Inverting input of CH3 OP-AMP
10	VOL(+)	Non inverted output of loading	24	OPIN3(+)	Non inverting input of CH3 OP-AMP
11	VO2(-)	Inverted output of CH2	25	OPOUT4	Output of CH4 OP-AMP
12	VO2(+)	Non inverted output of CH2	26	OPIN4(-)	Inverting input of CH4 OP-AMP
13	VO1(-)	Inverted output of CH1	27	OPIN4(+)	Non inverting input of CH4 OP-AMP
14	VO1(+)	Non inverted output of CH1	28	REV	Input for loading reverse

notes) Symbol of + and - (output of drivers) means polarity to input pin.
 (For example if voltage of pin4 high, pin14 is high)

EQUIVALENT CIRCUIT OF TERMINALS

<p style="text-align: center;">BIAS</p>	<p style="text-align: center;">ch3,4 input for OP-AMP</p>
<p style="text-align: center;">ch3,4 output for OP-AMP & Input for BTL driver</p>	<p style="text-align: center;">ch1,2 input for BTL driver</p>
<p style="text-align: center;">Output for BTL driver</p> <p style="text-align: right;">Non inverted output 12,14,15,17 PIN</p> <p style="text-align: right;">Inverted output 11,13,16,18 PIN</p>	<p style="text-align: center;">Output for loading driver</p>
<p style="text-align: center;">Input for Mute·loading driver</p>	<p style="text-align: center;">LDCTL</p>

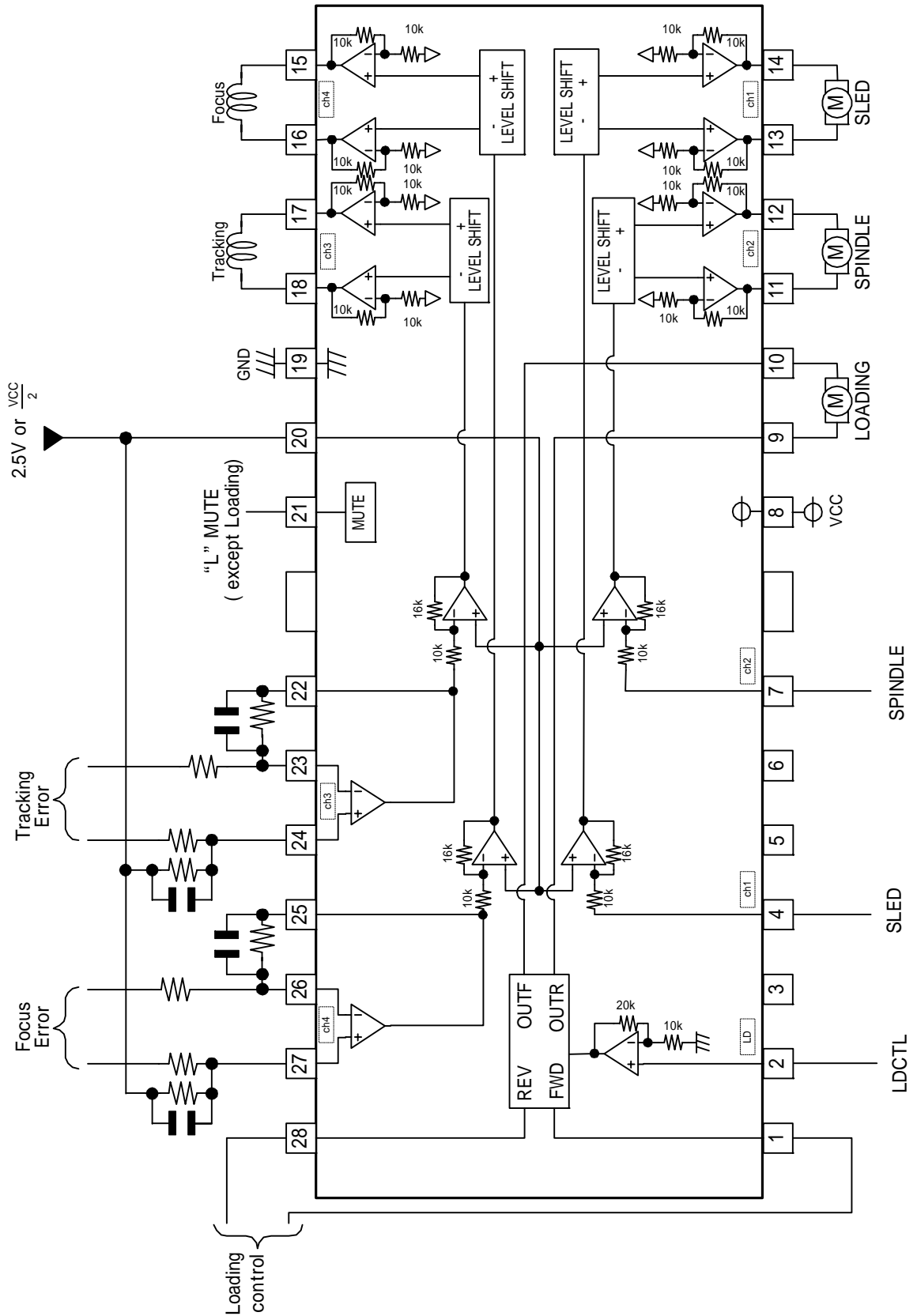


fig.4 APPLICATION

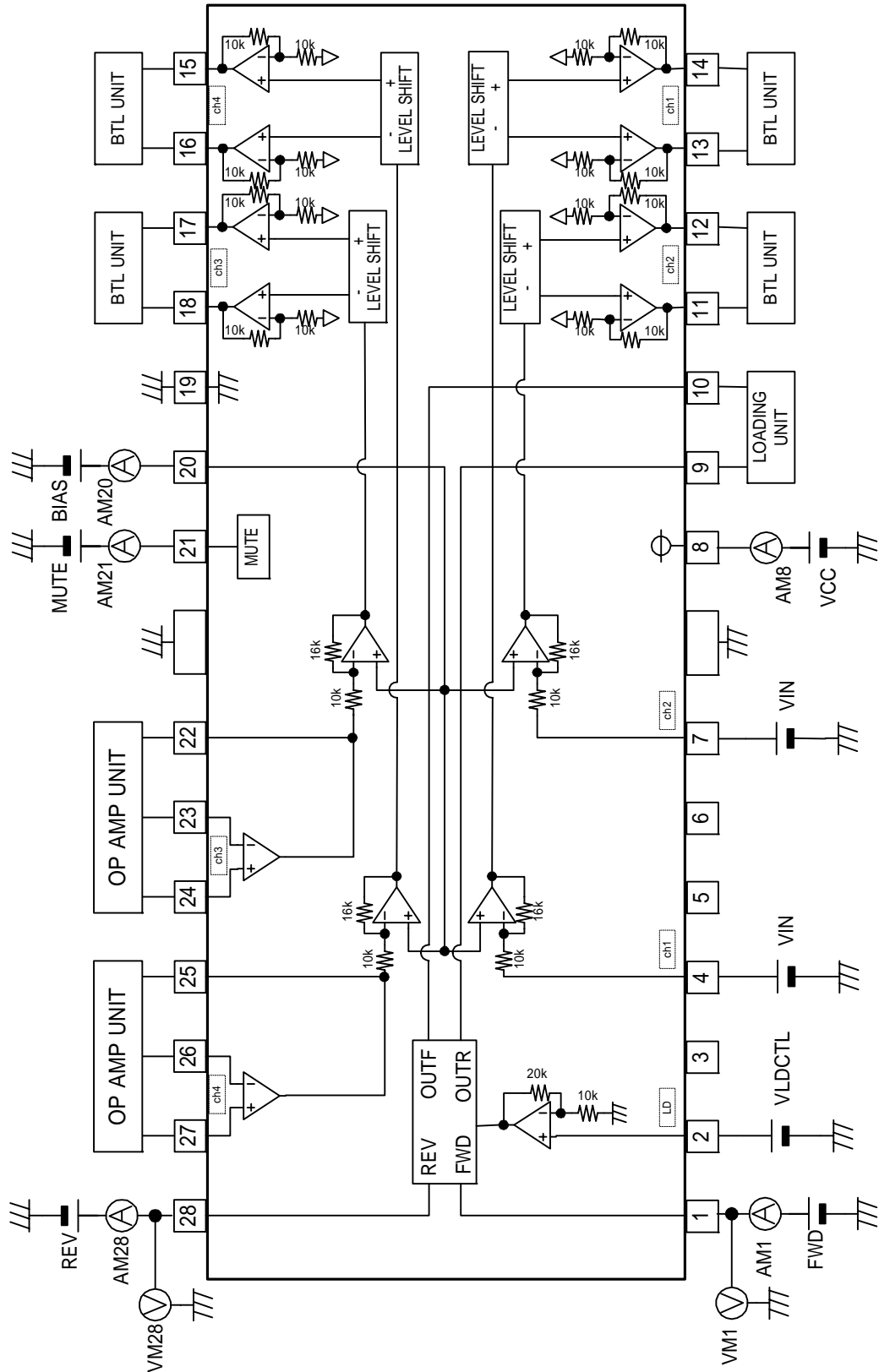


fig.5 Test Circuit (Unit, exclude)

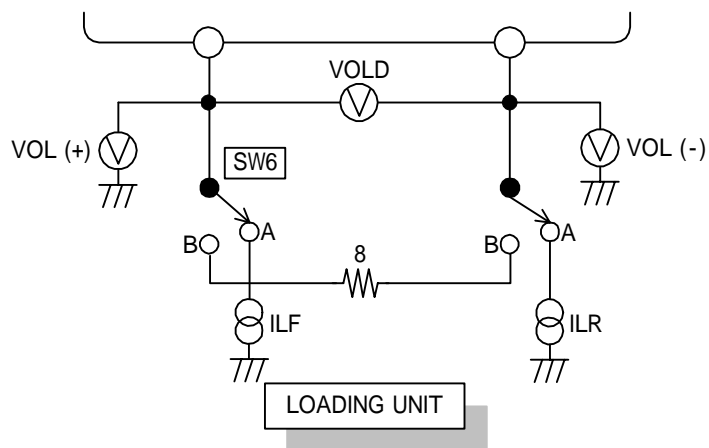
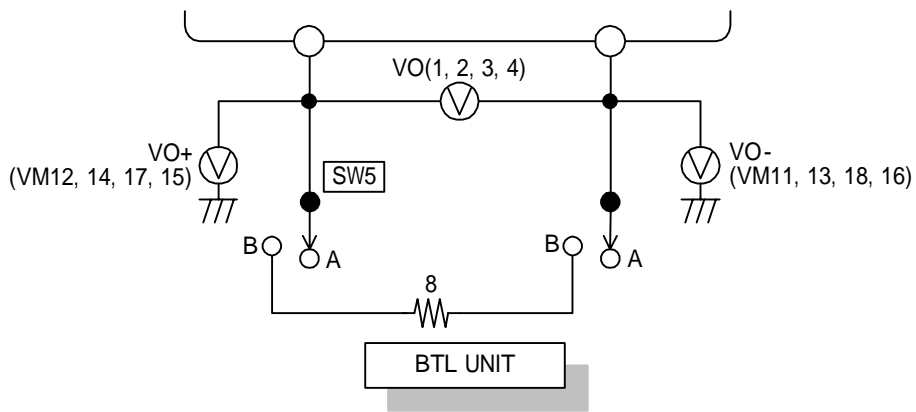
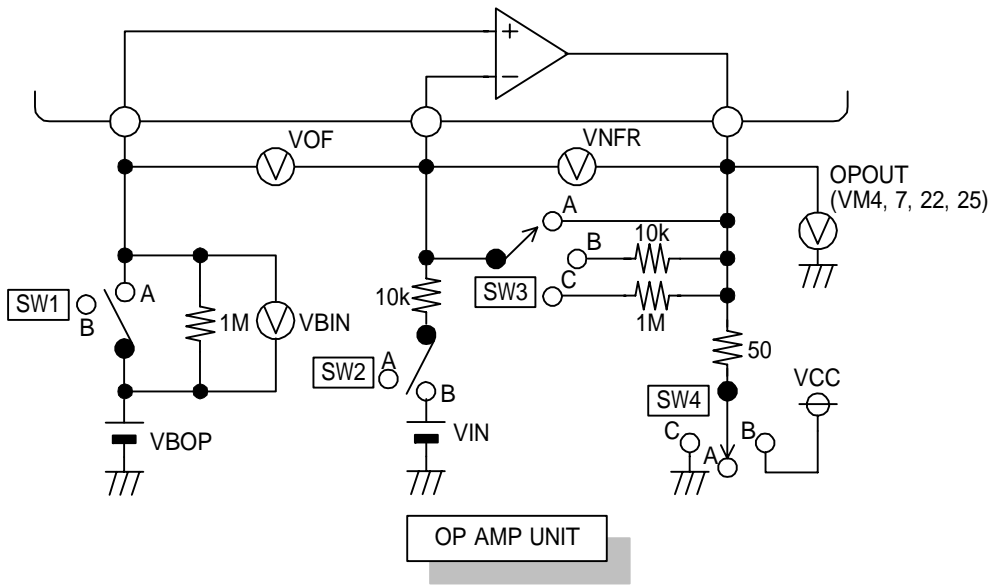


fig.6 Test Circuit (each unit)

SWITCH TABLE

Unless otherwise noted, VCC=8V, BIAS=2.5V, SW ; A position

	Switch						Input Voltage (V), Current (mA)					Conditions	Measure point
	1	2	3	4	5	6							
<Circuit current> (MUTE=3V, VBOP=2.5V)													
Quiescent current													AM8
<BTL DRIVER>	1	2	3	4	5	6	MUTE	BIAS	VBOP	VIN			
Output offset voltage					B		3	2.5	2.5	-			VO
Max. output voltage		B	C							0			VO
										8			VO
Closed loop voltage gain									3	-			VO
									2	-			VO
Mute on voltage							0.5		3	-			VO
Mute off voltage							1.5		3	-			VO
Bias mute on voltage							3	0.5	3	-			VO
Bias mute off voltage								1.1		-			VO
Input current for Mute pin							5		2.5	-	input parameter		AM21
Input current for Bias pin										-	input parameter		AM20
<OP-AMP> (MUTE=3V)	1	2	3	4	5	6			VBOP	VIN			
Common mode input voltage range H									7	-			VOF
Common mode input voltage range L									0.45	-			VOF
Input offset voltage									2.5	-			VOF
Input bias current	B		C						2.5	-			VBIN, VNFR
High level output voltage		B	C							0			OPOUT
Low level output voltage		B	C							8			OPOUT
Output sink current				B						-			(VCC-OPOUT)/50
Output source current				C						-			OPOUT/50
Slew rate										-	input pulse 100kHz, 2Vp-p		OPOUT
<Loading Driver> (MUTE=3V, BIAS=2.5V,VBOP=2.5V)	1	2	3	4	5	6	FWD	REV	ILF	ILR	VLDCTL		
Output saturation voltage 1					B		1.4	0.6	-200	200	3.3		VCC-VOLD
							0.6	1.4	200	-200	3.3		VCC-VOLD
Output saturation voltage 1 F/R												Voltage difference between VSAT1 FWD & REV	
Output saturation voltage 2							1.4	0.6	-500	500	3.3		VCC-VOLD
							0.6	1.4	500	-500	3.3		VCC-VOLD
Voltage gain											3.3		VOL/VCTL
<Loading logic input> (MUTE=3V, VBOP=2.5V)	1	2	3	4	5	6	FWD	REV					
Input high level voltage (1pin)							1.5	-				input parameter	
Input high level voltage (28pin)							-	1.5				input parameter	
Input low level voltage (1pin)							0.5	-				input parameter	
Input low level voltage (28pin)							-	0.5				input parameter	
Input high level current							5	-					AM1
							-	5					AM28

NOTES

1. Thermal-shut-down circuit built in.
When IC chip temperature rise to 175 (Typ.), output current is muted, and when IC chip temperature reaches 150 (Typ.), the driver circuit starts up.
2. When mute-terminal (pin.21) voltage is open or lowered below 0.5V, output current is muted.
Under normal use condition, pull up the mute terminal above 1.5V.
3. When bias-terminal (pin.20) voltage is below 0.5V, driver is muted.
Under normal use condition, set above 1.1V.
4. When supply voltage falls below 3.8V(Typ.), output current is muted.
Next time supply voltage rises to 4.0V(Typ.), the driver circuit start.
5. All drivers are muted by thermal-shut-down. When bias terminal voltage falls and mute is ON, BTL driver except loading driver is muted.
Previous stage operational amplifier is no case muted.
Output terminal of muted BTL driver applies internal bias voltage $(VCC-0.7)/2(V)$

6. Loading driver logic input

FWD (1pin)	REV (28pin)	VOL (+) (10pin)	VOL (-) (9pin)	FUNCTION
L	L	OPEN	OPEN	OPEN MODE
L	H	L	H	REVERSE MODE
H	L	H	L	FORWARD MODE
H	H	L	L	BRAKE MODE

Input circuit of pin1 and pin28 is designed to avoid simultaneous activation of upper and lower output Tr. however, in order to improve reliability, apply motor forward/backward input once through open mode.

We recommend time period for open mode longer than 10msec.

And, the voltage between the outputs can be controlled with the terminal LDCTL (pin.2).

The voltage is set 2.7 times (8.6dB Typ.) LDCTL(pin.2).

7. Insert the by-pass capacitor between Vcc-terminal and GND-terminal of IC as near as possible (approximately 0.1 μ F).
8. Heat dissipation fins are attached to the GND on the inside of the package.
Make sure to be connected to the external GND.
9. In priciple, do not apply voltage below sub-potential of IC to terminal.
Examine in consideration of operation margin, when each driver output falls below sub-voltage of IC (GND) due to counter-electromotive-force of load.
10. Please open the test termind (pin3,5,6).

Notes

- No technical content pages of this document may be reproduced in any form or transmitted by any means without prior permission of ROHM CO.,LTD.
- The contents described herein are subject to change without notice. The specifications for the product described in this document are for reference only. Upon actual use, therefore, please request that specifications to be separately delivered.
- Application circuit diagrams and circuit constants contained herein are shown as examples of standard use and operation. Please pay careful attention to the peripheral conditions when designing circuits and deciding upon circuit constants in the set.
- Any data, including, but not limited to application circuit diagrams information, described herein are intended only as illustrations of such devices and not as the specifications for such devices. ROHM CO.,LTD. disclaims any warranty that any use of such devices shall be free from infringement of any third party's intellectual property rights or other proprietary rights, and further, assumes no liability of whatsoever nature in the event of any such infringement, or arising from or connected with or related to the use of such devices.
- Upon the sale of any such devices, other than for buyer's right to use such devices itself, resell or otherwise dispose of the same, no express or implied right or license to practice or commercially exploit any intellectual property rights or other proprietary rights owned or controlled by
- ROHM CO., LTD. is granted to any such buyer.
- Products listed in this document are no antiradiation design.

The products listed in this document are designed to be used with ordinary electronic equipment or devices (such as audio visual equipment, office-automation equipment, communications devices, electrical appliances and electronic toys).

Should you intend to use these products with equipment or devices which require an extremely high level of reliability and the malfunction of which would directly endanger human life (such as medical instruments, transportation equipment, aerospace machinery, nuclear-reactor controllers, fuel controllers and other safety devices), please be sure to consult with our sales representative in advance.

It is our top priority to supply products with the utmost quality and reliability. However, there is always a chance of failure due to unexpected factors. Therefore, please take into account the derating characteristics and allow for sufficient safety features, such as extra margin, anti-flammability, and fail-safe measures when designing in order to prevent possible accidents that may result in bodily harm or fire caused by component failure. ROHM cannot be held responsible for any damages arising from the use of the products under conditions out of the range of the specifications or due to non-compliance with the NOTES specified in this catalog.

Thank you for your accessing to ROHM product informations.

More detail product informations and catalogs are available, please contact your nearest sales office.

ROHM Customer Support System

THE AMERICAS / EUROPE / ASIA / JAPAN

www.rohm.com

Contact us : webmaster@rohm.co.jp