

阅读申明

- 1.本站收集的数据手册和产品资料都来自互联网，版权归原作者所有。如读者和版权方有任何异议请及时告之，我们将妥善解决。
- 2.本站提供的中文数据手册是英文数据手册的中文翻译，其目的是协助用户阅读，该译文无法自动跟随原稿更新，同时也可能存在翻译上的不当。建议读者以英文原稿为参考以便获得更精准的信息。
- 3.本站提供的产品资料，来自厂商的技术支持或者使用者的心得体会等，其内容可能存在描述上的差异，建议读者做出适当判断。
- 4.如需与我们联系，请发邮件到marketing@iczoom.com，主题请标有“数据手册”字样。

Read Statement

1. The datasheets and other product information on the site are all from network reference or other public materials, and the copyright belongs to the original author and original published source. If readers and copyright owners have any objections, please contact us and we will deal with it in a timely manner.
2. The Chinese datasheets provided on the website is a Chinese translation of the English datasheets. Its purpose is for reader's learning exchange only and do not involve commercial purposes. The translation cannot be automatically updated with the original manuscript, and there may also be improper translations. Readers are advised to use the English manuscript as a reference for more accurate information.
3. All product information provided on the website refer to solutions from manufacturers' technical support or users the contents may have differences in description, and readers are advised to take the original article as the standard.
4. If you have any questions, please contact us at marketing@iczoom.com and mark the subject with "Datasheets" .

Reversible motor driver

BA6208 / BA6208F

The BA6208 and BA6208F are monolithic ICs used for driving reversible motors. They allow control of reversible motors in cassette players and other electrical equipment by using TTL-level logic signals.

The ICs contain a logic section, which controls forward and reverse rotations as well as forced stop, and an output power section, which can supply an output current of up to 100mA (typical) according to the logic control.

●Features

- 1) Motor driving power transistors are built in (100mA typically).
- 2) Brake is applied when stopping the motor (when inputs A and B are both HIGH level).
- 3) Built-in diode to absorb surge currents.
- 4) Very low standby circuit current when inputs A and B are both LOW level.
- 5) Wide range of operating supply voltage (4.5 ~ 15.0V).
- 6) Direct control with the TTL logic.

●Absolute maximum ratings (Ta = 25°C)

Parameter	Symbol	Limits	Unit
Power supply voltage	V _{CC}	18	V
Power dissipation	BA6208	700*1	mW
	BA6208F	450*2	
Operating temperature	T _{opr}	-20~+60	°C
Storage temperature	T _{stg}	-55~+125	°C
Maximum output current	I _{OUT}	500	mA

*1 Reduced by 7 mW for each increase in Ta of 1°C over 25°C.

*2 Reduced by 4.5 mW for each increase in Ta of 1°C over 25°C.

●Recommended operating conditions (Ta = 25°C)

Parameter	Symbol	Min.	Typ.	Max.	Unit
Power supply voltage	V _{CC}	4.5	—	15	V

●Input truth table

3pin (Ain)	2pin (Bin)	8pin (Aout)	7pin (Bout)
H	L	H	L
L	H	L	H
H	H	L	L
L	L	OPEN	OPEN

Note : HIGH level input is 2.0 V or more.

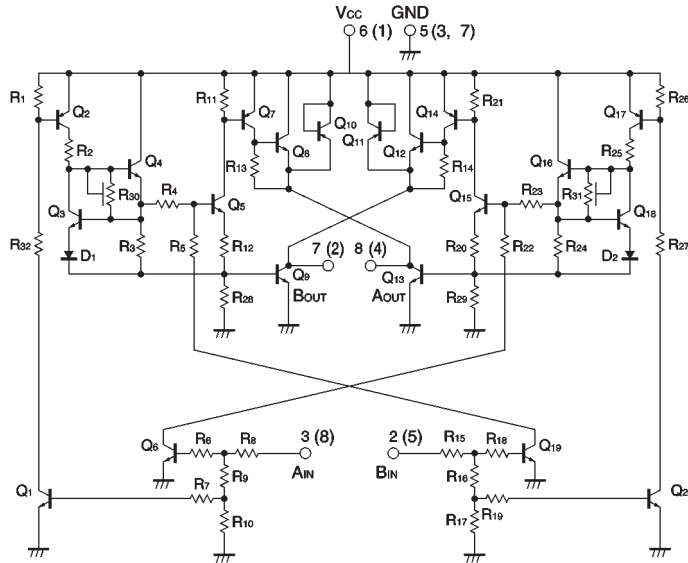
LOW level input is 0.8 V or less.

●Electrical characteristics (unless otherwise noted, Ta = 25°C and Vcc = 9V)

Parameter	Symbol	Min.	Typ.	Max.	Unit	Conditions
Output current	I _o	200	—	—	mA	
Output saturation voltage	V _{CE}	—	—	1.6	V	I _o =100mA
Input high level voltage	V _{IH}	2.0	—	—	V	
Input low level voltage	V _{IL}	—	—	0.8	V	
Standby supply current	I _{sT}	—	—	0.4	mA	When inputs A and B are both LOW level
Input high level current	I _{IH}	—	—	400	μA	V _{IH} =4.5V

A diode that absorbs at least 500 mA is built in to give protection against surge currents with a pulse width of 10 ms and a duty ratio of 10% or less.

●Internal circuit configuration



Note : Figures in parentheses are for the BA6208F
Fig.1

●External dimensions (Units: mm)

