

阅读申明

- 1.本站收集的数据手册和产品资料都来自互联网，版权归原作者所有。如读者和版权方有任何异议请及时告之，我们将妥善解决。
- 2.本站提供的中文数据手册是英文数据手册的中文翻译，其目的是协助用户阅读，该译文无法自动跟随原稿更新，同时也可能存在翻译上的不当。建议读者以英文原稿为参考以便获得更精准的信息。
- 3.本站提供的产品资料，来自厂商的技术支持或者使用者的心得体会等，其内容可能存在描述上的差异，建议读者做出适当判断。
- 4.如需与我们联系，请发邮件到marketing@iczoom.com，主题请标有“数据手册”字样。

Read Statement

1. The datasheets and other product information on the site are all from network reference or other public materials, and the copyright belongs to the original author and original published source. If readers and copyright owners have any objections, please contact us and we will deal with it in a timely manner.
2. The Chinese datasheets provided on the website is a Chinese translation of the English datasheets. Its purpose is for reader's learning exchange only and do not involve commercial purposes. The translation cannot be automatically updated with the original manuscript, and there may also be improper translations. Readers are advised to use the English manuscript as a reference for more accurate information.
3. All product information provided on the website refer to solutions from manufacturers' technical support or users the contents may have differences in description, and readers are advised to take the original article as the standard.
4. If you have any questions, please contact us at marketing@iczoom.com and mark the subject with "Datasheets" .

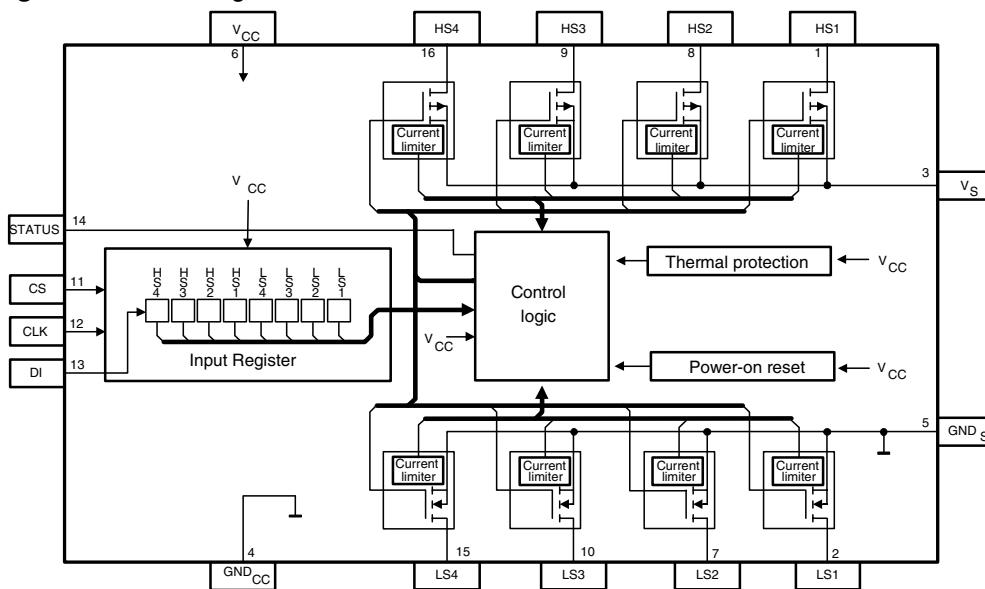
Features

- Four Short-circuit-protected High-side Drivers with a Maximum Current Capability of 50 mA Each
- Four Short-circuit-protected Low-side Drivers with a Maximum Current Capability of 50 mA Each
- ON Resistance High Side $R_{on} < 10 \Omega$ Versus Total Temperature Range
- ON Resistance Low Side $R_{on} < 7 \Omega$ Versus Total Temperature Range
- Short-circuit Detection of Each Driver Stage
- Disabling of Driver Stages in the Case of Short-circuit and Overtemperature Detection
- Independent Control of Each Driver Stage via an 8-bit Shift Register
- Status Output Reports Short-circuit Condition
- Status Output Reports when All Loads Are Switched Off
- Timing of Status Output Reset Signalizes Failure Mode
- Temperature Protection in Conjunction with Short-circuit Detection

Description

The U6820BM is a driver interface in BCDMOS technology with 8 independent driver stages having a maximum current capability of 50 mA each. Its partitioning into 4 high-side and 4 low-side driver stages allows an easy connection of either 4 half-bridges or 2 H-bridges on the pc board. The U6820BM communicates with a micro-controller via an 8-bit serial interface. Integrated protection against short circuit and overtemperature give added value. EMI protection and 2-kV ESD protection together with automotive qualification referring to conducted interference (ISO/TR 7637/1) make this IC ideal for both automotive and industrial applications.

Figure 1. Block Diagram



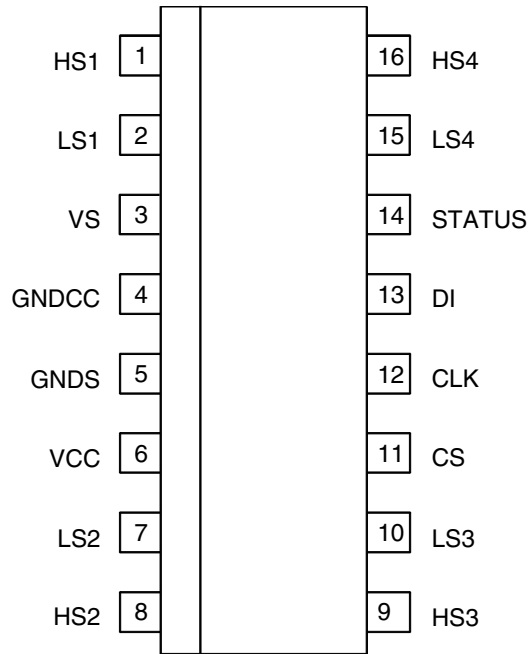
Dual Quad BCDMOS Driver IC

U6820BM



Pin Configuration

Figure 2. Pinning SO16



Pin Description

Pin	Symbol	Function
1	HS1	Output high side 1
2	LS1	Output low side 1
3	VS	Supply voltage 6 V to 18 V
4	GNDCC	Digital ground
5	GNDS	Power ground
6	VCC	Supply voltage 5 V (external)
7	LS2	Output low side 2
8	HS2	Output high side 2
9	HS3	Output high side 3
10	LS3	Output low side 3
11	CS	Set supply status (chip select)
12	CLK	Clock line for 8-bit control shift register
13	DI	Data line for 8-bit control shift register
14	STATUS	Status output (H = fault, diagnostic "H" if all driver stages are switched off)
15	LS4	Output low side 4
16	HS4	Output high side 4

Description of the Control Interface to the Microcontroller

The serial-parallel interface basically includes an 8-bit shift register (SR), an 8-bit command register (CR) and a 4-bit counter.

The data input takes place with commands at Pins DI (data input), CS (chip select) and CLK (clock). With a falling edge at CLK, the information at DI is transferred into the SR. The first information written into the SR is the least significant bit (LSB). The Pin STATUS is used for diagnostic purposes and reports any fault condition to the microcontroller.

The input CS in accordance with the CR controls the serial interface. A high level at CS disables the SR. With a falling edge at CS, the SR is enabled. The CR control allows only the first 8 bits to be transferred into the SR, and further clocks at CLK are ineffective. If a rising edge occurs at CS after 8 clocks precisely, the information from the SR is transferred into the CR. If the number of clock cycles during the low phase of CS was less or more than eight transitions, no transfer will take place. A new command switches the output stages on or off immediately.

Each output stage is controlled by one specific bit of the CR. Low level means “supply off” or inactive, and high level means “supply on” or active. If all 8 bits are at a low level, the output stages will be set into standby mode.

If one of the output stages detects a short circuit and additionally overtemperature condition, the corresponding control bit in the CR is set to low. This reset has priority over an external command to CR, thus, this does not affect the 1st control bit. The priority protects the IC against overtemperature by activating the temperature shut down immediately.

The STATUS Output

The STATUS output is at low level during normal operation. If one or more output stages detect short circuit or if overtemperature is indicated, the STATUS output changes to high level (OR-connection).

For diagnostic purposes (self test of the status output), the status output can also be brought into high level during standby mode.

Timing of the Status Output Reset Signalizes the Failure Mode

The use of different reset conditions at the STATUS output simplifies the failure analysis during normal operation, and is also beneficial during testing.

The storage content can be used for STATUS output. It is indicated and latched immediately with the rising edge of CS at STATUS output if less than 8 clocks were received during the low phase of CS. The reset is initiated by the falling edge of the 8th clock (bit 7) of the next data input.

Also, the appearance of more than 8 clocks is latched and indicated at STATUS by the rising edge of the 9th clock. The reset is initiated by the falling edge of the 2nd clock (bit 1) of the next data input.

The detection of overtemperature is latched internally. It is reset by the falling edge of the 4th clock (bit 3) of a data transfer if overtemperature is no longer present.

Power-on Reset

After switching on the supply voltage, all data latches are reset and the outputs are switched off. The typical power-on reset threshold is $V_{CC} = 3.7\text{ V}$. The outputs are activated after the first data transfer.

Short-circuit Protection

The current of the output stages is limited by an active feedback control. Short circuit at one output stage sets the diagnostic Pin 14 (STATUS) to high. In case of both conditions, short circuit at one of the outputs and temperature detection, the affected output is switched off selectively. It will be activated again after the first new data transfer.

Inductance Protection

Clamping diodes and FETs are integrated to protect the IC against too high or too low voltages at the outputs. They prevent the IC from latch up and parasitic currents which may exceed power dissipation.

Temperature Protection

The IC is protected by an overtemperature detection. As soon as the junction temperature $T_j = 155^\circ\text{C}$ typically is exceeded, the diagnostic Pin 14 (STATUS) is set "high". General overtemperature detection along with short-circuit condition at a specific output result in temperature shut down at that specific output. After temperature shut down, the data input register has to be set again with a hysteresis of typically $\Delta T = 15\text{ K}$ ($T_j = 140^\circ\text{C}$).

ESD Protection

All output stages are protected against electrostatic discharge up to 5 kV (HBM) with external components (see Figure 5), all other pins are protected up to 2 kV (HBM).

Table 1. Timing of the STATUS Output

Shift Register	Command Register	Condition	Low-side Switch				High-side Switch				Status		
			LS1	LS2	LS3	LS4	HS1	HS2	HS3	HS4	Set	Reset	
0 0 0 0 0 0 0 0 0 0 0 0 0 0 0 0		All out = OK	off	off	off	off	off	off	off	off	off	H	New CS
1 1 1 1 1 1 1 1 1 1 1 1 1 1 1 1		All on = OK	on	on	on	on	on	on	on	on	on	L	
0 0 0 0 0 0 0 1 0 0 0 0 0 0 0 1		E.g. one on = OK	off	off	off	off	off	off	off	on	on	L	
0 1 1 1 1 1 1 1 0 1 1 1 1 1 1 1		Short at LS3	off	on	on	on	on	on	on	on	on	H	No short
1 1 1 1 1 1 1 1 1 1 1 0 1 1 1 1		Temp & short at HS4	on	on	on	off	on	on	on	on	on	H	New CS4
1 1 0 0 0 0 1 1 0 0 0 0 0 0 0 0		$V_{VCC} < 3.7\text{ V} = \text{P-ON}$	off	off	off	off	off	off	off	off	off	H	P-ON, CS
1 1 1 0 0 0 1 1 x x x x x x x x		CS with less 8 CLK	x	x	x	x	x	x	x	x	x	H	New CS 8
0 0 0 1 1 1 0 0 x x x x x x x x		CS with more 8 CLK	x	x	x	x	x	x	x	x	x	H	New CS 2

Figure 3. Data Transfer Timing Diagram

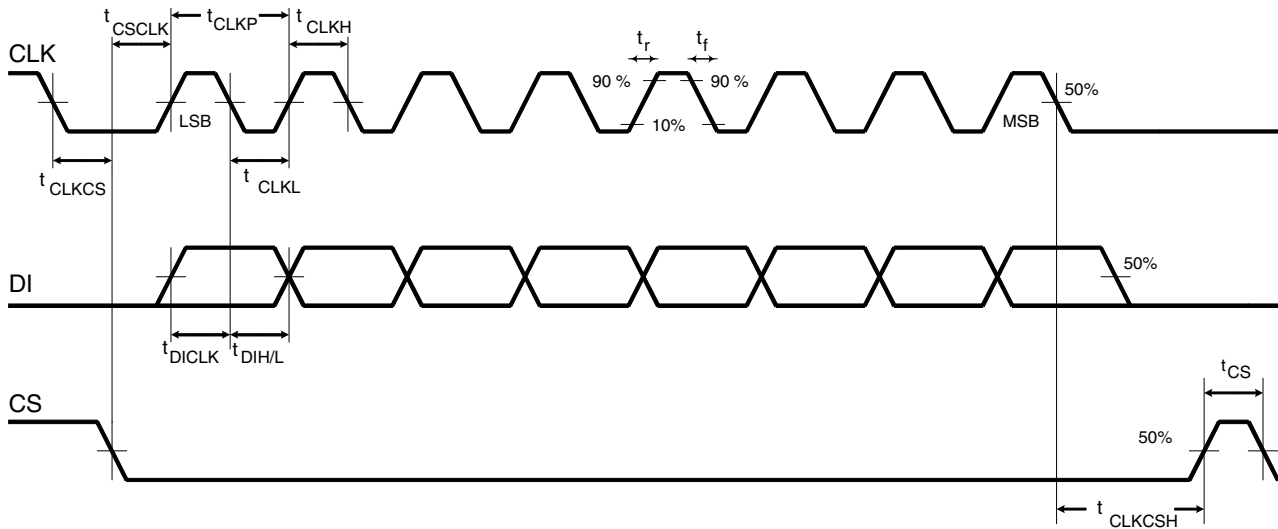
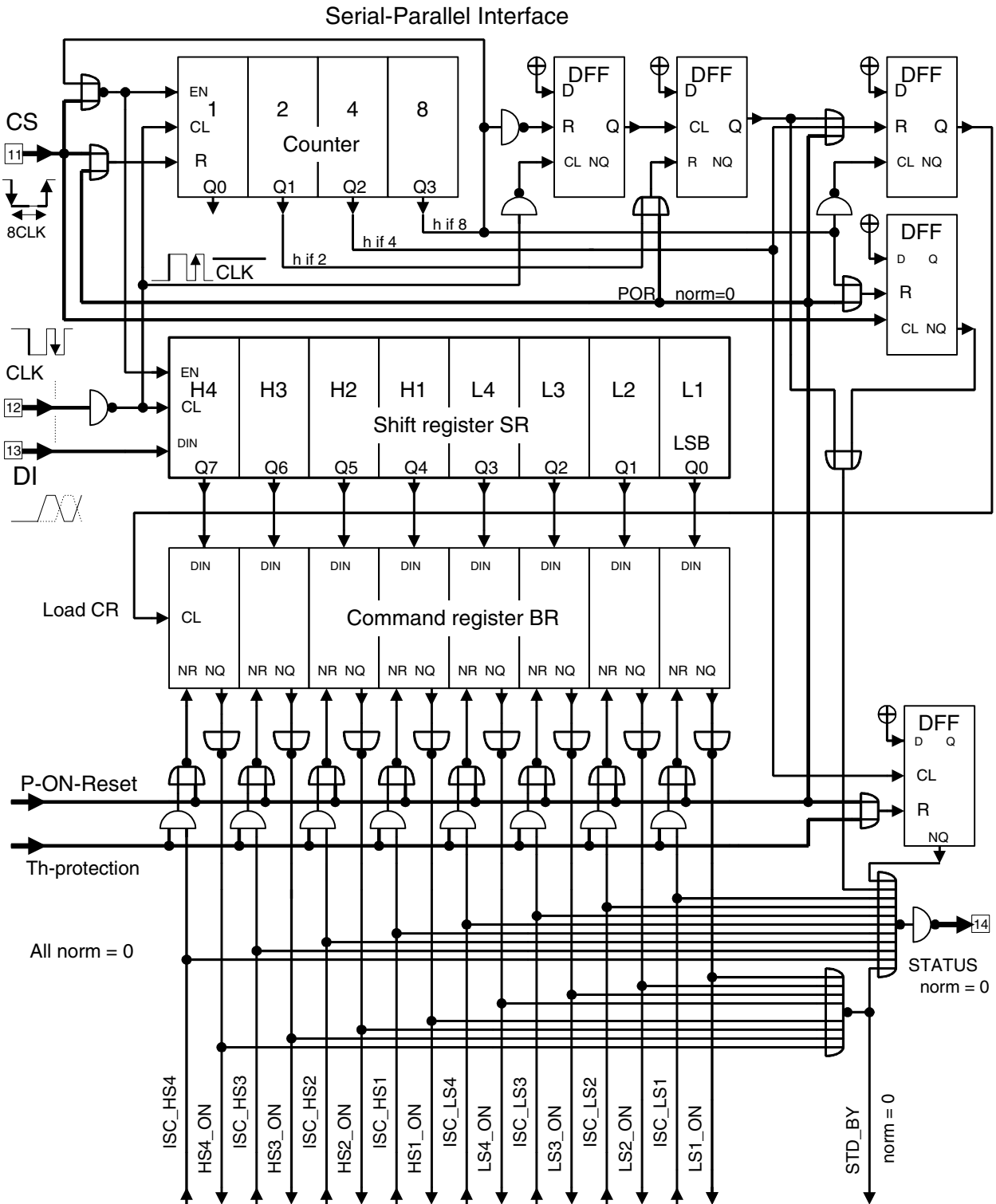


Table 2. AC Characteristics for Testing

Specification	Conditions	Minimum	Maximum	Unit
t_r (rise)	10% to 90% V_{CC} on CLK, DI and CS		10	ns
t_f (fall)	10% to 90% V_{CC} on CLK, DI and CS		10	ns
t_{CLKP}	$1/2 V_{CC}$	250		ns
t_{CLKH}	$1/2 V_{CC}$	100		ns
t_{CLKL}	$1/2 V_{CC}$	100		ns
t_{CLKCS}	$1/2 V_{CC}$	150		ns
t_{CSCLK}	$1/2 V_{CC}$	100		ns
t_{DICK}	$1/2 V_{CC}$	80		ns
$t_{DI/H/L}$	$1/2 V_{CC}$	100		ns
t_{CLKCSH}	$1/2 V_{CC}$	100		ns
t_{CS}	$1/2 V_{CC}$	250		ns

Figure 4. Block Diagram of the Control Interface



Absolute Maximum Ratings

Parameters	Pin	Symbol	Minimum	Maximum	Unit
Supply voltage	3	V_{VS}	-0.3	+40	V
Logic supply voltage	6	V_{VCC}	-0.3	+7	V
Logic input voltage	11, 12, 13	CS, CLK, DI	-0.3	$V_{VCC} + 0.5$	V
Logic output voltage	14	STATUS	-0.3	$V_{VCC} + 0.3$	V
Input current	3	I_{VS}		0.2	mA
	6	I_{VCC}		5	mA
Output current (internally limited)	1-2, 8-11, 15-16	I_{1H-4H} and I_{1L-4L}	30	65	mA
Junction temperature range		T_j	-40	+150	°C
Storage temperature range		T_{stg}	-55	+150	°C

Thermal Resistance

Parameters	Symbol	Value	Unit
Junction ambient	R_{thJA}	110	K/W
Junction case	R_{thJC}	26	K/W

Operating Range

Parameters	Pin	Symbol	Value	Unit
Supply voltage	3	V_{VS}	6 to 18	V
Logic supply voltage	6	V_{VCC}	4.5 to 5.5	V
Logic input voltage low	11, 12, 13	CS, CLK, DI	-0.2 to $(0.2 \times V_{VCC})$	V
Logic input voltage high	11, 12, 13	CS, CLK, DI	$(0.7 \times V_{VCC})$ to $(V_{VCC} + 0.3)$	V
Logic output voltage (1 mA load)	14	STATUS	0.5 to $(V_{VCC} - 1)$	V
Clock frequency		f_{CLK}	5	MHz
Junction temperature range		T_j	-40 to +150	°C

Electrical Characteristics

7 V < V_{VS} < 40 V; 4.5 V < V_{VCC} > 5.5 V; -40°C < T_j < 150°C; unless otherwise specified

No.	Parameters	Test Conditions	Pin	Symbol	Min.	Typ.	Max.	Unit	Type*
1	Current Consumption								
1.1	Supply current VS	No external load	3	I _{VS}			0.2	mA	A
1.2	Supply current VCC	No external load	6	I _{VCC}			5	mA	A
1.3	Power-on reset threshold		6	V _{CC POR}	3.4	3.7	4.0	V	A
1.4	Power-on reset delay time	After switching on V _{CC}	6	T _{d POR}	60	95	130	μs	D
2	Thermal Shutdown								
2.1	Thermal shutdown set			t _{j PW set}	140	155	165	°C	A
2.2	Thermal shutdown reset			t _{j PW reset}	130	135	155	°C	A
2.3	Thermal hysteresis			Dt		20		K	A
3	Output Specifications (1L - 4L, 1H - 4H)								
3.1	On-resistance low	I _{out} = 26 mA, T _j = 125°C	2, 7, 10, 15	R _{DSONLOW}	3	4	7	Ω	A
3.2	On-resistance high	I _{out} = 26 mA, T _j = 125°C	1, 8, 9, 16	R _{DSONHIGH}	4	6.25	10	Ω	A
3.3	Output leakage current lowside	V _{LSIDE 1-4} = 17.5 V	2, 7, 10, 15	I _{LOWSIDE}			5	μA	A
3.4	Output leakage current highside	V _{HSIDE 1-4} = 0.5 V	1, 8, 9, 16	I _{HIGHSIDE}			-5	μA	A
3.5	Output leakage steepness		1-2, 7-10, 15-16	dV _{OUT} /dt	50	200	400	mV/μs	D
3.6	Over current limitation highside		1, 8, 9, 16	I _{HIGHSIDE}	27	45	95	mA	A
3.7	Over current limitation lowside		2, 7, 10, 15	I _{LOWSIDE}	27	45	80	mA	A
4	Serial Interface – Inputs: CS, CLK and DATA								
4.1	Input voltage low level threshold		11-13	V _{ILOW}			0.2× V _{VCC}	V	A
4.2	Input voltage high level threshold		11-13	V _{IHIGH}	0.7× V _{VCC}			V	A
4.3	Hysteresis of input voltage		11-13	ΔV _i		300		mV	A
4.4	Pull-down current	(internal pull-up resistor: 30 kΩ to 140 kΩ)	11-13	I _i			300	μA	A
5	Serial Interface – Output: STATUS								
5.1	Output voltage low level	I = 1 mA		V _{OLOW}			0.5	V	A
5.2	Output voltage high level	I = 1 mA		V _{OHIGH}	V _{VCC} -1		V _{VCC}	V	A

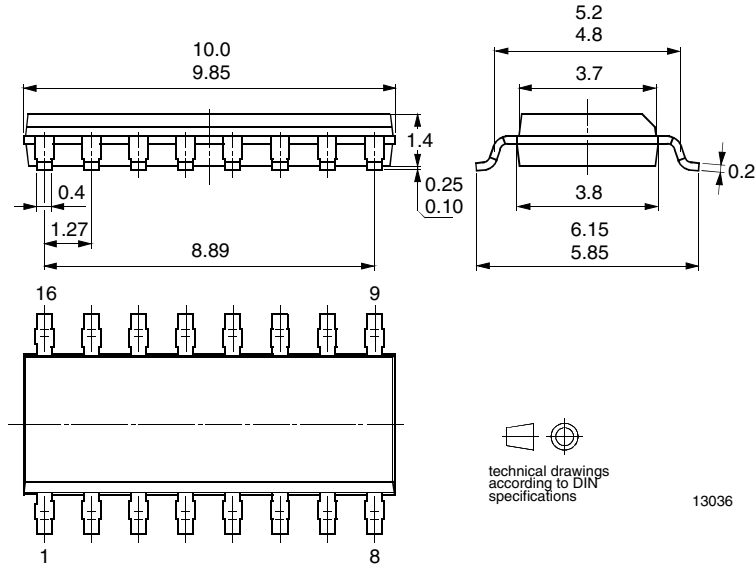
*) Type means: A = 100% tested, B = 100% correlation tested, C = Characterized on samples, D = Design parameter

Ordering Information

Extended Type Number	Package	Remarks
U6820BM-FP	SO16	

Package Information

Package SO16
Dimensions in mm





Atmel Headquarters

Corporate Headquarters

2325 Orchard Parkway
San Jose, CA 95131
TEL 1(408) 441-0311
FAX 1(408) 487-2600

Europe

Atmel SarL
Route des Arsenaux 41
Casa Postale 80
CH-1705 Fribourg
Switzerland
TEL (41) 26-426-5555
FAX (41) 26-426-5500

Asia

Atmel Asia, Ltd.
Room 1219
Chinachem Golden Plaza
77 Mody Road Tsimhatsui
East Kowloon
Hong Kong
TEL (852) 2721-9778
FAX (852) 2722-1369

Japan

Atmel Japan K.K.
9F, Tonetsu Shinkawa Bldg.
1-24-8 Shinkawa
Chuo-ku, Tokyo 104-0033
Japan
TEL (81) 3-3523-3551
FAX (81) 3-3523-7581

Atmel Operations

Memory

Atmel Corporate
2325 Orchard Parkway
San Jose, CA 95131
TEL 1(408) 436-4270
FAX 1(408) 436-4314

Microcontrollers

Atmel Corporate
2325 Orchard Parkway
San Jose, CA 95131
TEL 1(408) 436-4270
FAX 1(408) 436-4314

Atmel Nantes
La Chantrerie
BP 70602
44306 Nantes Cedex 3, France
TEL (33) 2-40-18-18-18
FAX (33) 2-40-18-19-60

ASIC/ASSP/Smart Cards

Atmel Rousset
Zone Industrielle
13106 Rousset Cedex, France
TEL (33) 4-42-53-60-00
FAX (33) 4-42-53-60-01

Atmel Colorado Springs
1150 East Cheyenne Mtn. Blvd.
Colorado Springs, CO 80906
TEL 1(719) 576-3300
FAX 1(719) 540-1759

Atmel Smart Card ICs
Scottish Enterprise Technology Park
Maxwell Building
East Kilbride G75 0QR, Scotland
TEL (44) 1355-803-000
FAX (44) 1355-242-743

RF/Automotive

Atmel Heilbronn
Theresienstrasse 2
Postfach 3535
74025 Heilbronn, Germany
TEL (49) 71-31-67-0
FAX (49) 71-31-67-2340

Atmel Colorado Springs
1150 East Cheyenne Mtn. Blvd.
Colorado Springs, CO 80906
TEL 1(719) 576-3300
FAX 1(719) 540-1759

Biometrics/Imaging/Hi-Rel MPU/ High Speed Converters/RF Datacom

Atmel Grenoble
Avenue de Rochepleine
BP 123
38521 Saint-Egreve Cedex, France
TEL (33) 4-76-58-30-00
FAX (33) 4-76-58-34-80

e-mail

literature@atmel.com

Web Site

<http://www.atmel.com>

© Atmel Corporation 2002.

Atmel Corporation makes no warranty for the use of its products, other than those expressly contained in the Company's standard warranty which is detailed in Atmel's Terms and Conditions located on the Company's web site. The Company assumes no responsibility for any errors which may appear in this document, reserves the right to change devices or specifications detailed herein at any time without notice, and does not make any commitment to update the information contained herein. No licenses to patents or other intellectual property of Atmel are granted by the Company in connection with the sale of Atmel products, expressly or by implication. Atmel's products are not authorized for use as critical components in life support devices or systems.

Atmel® is the registered trademark of Atmel.

Other terms and product names may be the trademarks of others.



Printed on recycled paper.