

## 阅读申明

- 1.本站收集的数据手册和产品资料都来自互联网，版权归原作者所有。如读者和版权方有任何异议请及时告之，我们将妥善解决。
- 2.本站提供的中文数据手册是英文数据手册的中文翻译，其目的是协助用户阅读，该译文无法自动跟随原稿更新，同时也可能存在翻译上的不当。建议读者以英文原稿为参考以便获得更精准的信息。
- 3.本站提供的产品资料，来自厂商的技术支持或者使用者的心得体会等，其内容可能存在描述上的差异，建议读者做出适当判断。
- 4.如需与我们联系，请发邮件到marketing@iczoom.com，主题请标有“数据手册”字样。

## Read Statement

1. The datasheets and other product information on the site are all from network reference or other public materials, and the copyright belongs to the original author and original published source. If readers and copyright owners have any objections, please contact us and we will deal with it in a timely manner.
2. The Chinese datasheets provided on the website is a Chinese translation of the English datasheets. Its purpose is for reader's learning exchange only and do not involve commercial purposes. The translation cannot be automatically updated with the original manuscript, and there may also be improper translations. Readers are advised to use the English manuscript as a reference for more accurate information.
3. All product information provided on the website refer to solutions from manufacturers' technical support or users the contents may have differences in description, and readers are advised to take the original article as the standard.
4. If you have any questions, please contact us at marketing@iczoom.com and mark the subject with "Datasheets" .

## 8-Bit Serial Input Constant-Current Latched LED Driver

### Features and Benefits

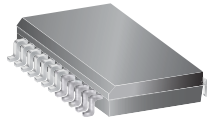
- Up to 150 mA constant-current outputs
- Undervoltage lockout
- Low-power CMOS logic and latches
- High data input rate
- Similar to Toshiba TD62715FN
- High/low output current function
- Digital dimming control

### Packages

20-pin DIP  
(A package)



20-pin SOICW  
(LW package)



Not to scale

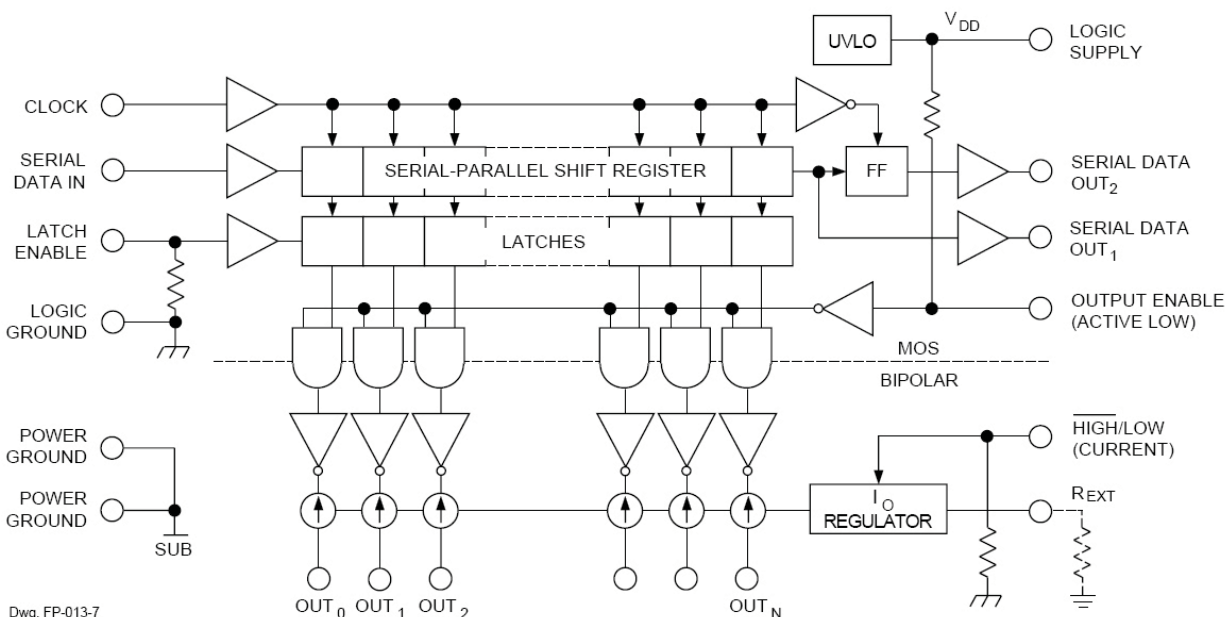
### Description

The A6277 is specifically designed for LED display applications. Each BiCMOS device includes an 8-bit CMOS shift register, accompanying data latches, and eight NPN constant-current sink drivers. Two package styles and two operating temperature ranges are available.

The CMOS shift register and latches allow direct interfacing with microprocessor-based systems. With a 5 V logic supply, typical serial data-input rates are up to 20 MHz. The LED drive current is determined by the user selection of a single resistor. A CMOS serial data output permits cascade connections in applications requiring additional drive lines. For inter-digit blanking, all output drivers can be disabled with an ENABLE input high. In addition, a HIGH/LOW function enables full selected current with the application of a logic low, or 50% selected current with the application of a logic high.

Two package styles are provided, a through-hole DIP (suffix A), and a surface-mount SOIC (LW). The copper leadframe and low logic-power dissipation allow the DIP to sink 122 mA through all outputs continuously over the operating temperature range (1.0 V drop, 85°C). Both packages are lead (Pb) free, with 100% matte-tin leadframe plating.

### Functional Block Diagram



### Selection Guide

| Part Number  | Packing      | Package       |
|--------------|--------------|---------------|
| A6277EA-T*   | 20-pin DIP   | 18 per tube   |
| A6277ELWTR-T | 20-pin SOICW | 1000 per reel |

\*Variant is in production but has been determined to be LAST TIME BUY. This classification indicates that the variant is obsolete and notice has been given. Sale of the variant is currently restricted to existing customer applications. The variant should not be purchased for new design applications because of obsolescence in the near future. Samples are no longer available. Status date change November 2, 2009. Deadline for receipt of LAST TIME BUY orders is April 30, 2010.

### Absolute Maximum Ratings\*

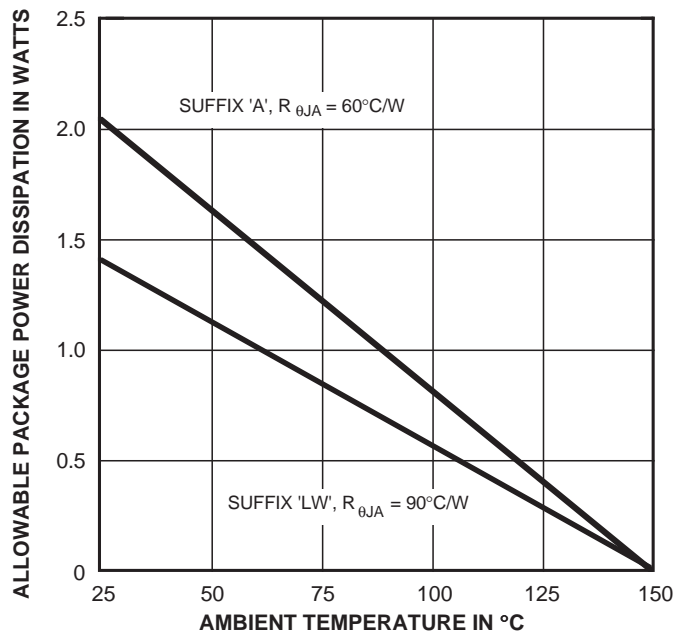
| Characteristic                | Symbol            | Notes   | Rating                 | Units |
|-------------------------------|-------------------|---------|------------------------|-------|
| Supply Voltage                | $V_{DD}$          |         | 7.0                    | V     |
| Output Voltage Range          | $V_O$             |         | -0.5 to 24             | V     |
| Input Voltage Voltage         | $V_I$             |         | -0.4 to $V_{DD} + 0.4$ | V     |
| Output Current                | $I_O$             |         | 150                    | mA    |
| Operating Ambient Temperature | $T_A$             | Range E | -40 to 85              | °C    |
| Maximum Junction Temperature  | $T_J(\text{max})$ |         | 150                    | °C    |
| Storage Temperature           | $T_{\text{stg}}$  |         | -55 to 150             | °C    |

\* Caution: These CMOS devices have input static protection (Class 2) but are still susceptible to damage if exposed to extremely high static electrical charges.

### Thermal Characteristics may require derating at maximum conditions, see application information

| Characteristic             | Symbol          | Test Conditions*          | Value | Units |
|----------------------------|-----------------|---------------------------|-------|-------|
| Package Thermal Resistance | $R_{\theta JA}$ | Package A, on 1-layer PCB | 60    | °C/W  |
|                            |                 | Package LW, 1-layer PCB   | 90    | °C/W  |

\*Additional thermal information available on the Allegro website.



**ELECTRICAL CHARACTERISTICS at  $T_A = +25^\circ\text{C}$ ,  $V_{H/L} = V_{DD} = 5\text{ V}$  (unless otherwise noted).**

| Characteristic  | Symbol        | Test Conditions   | Limits      |           |             |                  |
|---|---------------|---|-------------|-----------|-------------|------------------|
|   |               |   | Min.        | Typ.      | Max.        | Unit             |
| Supply Voltage Range  | $V_{DD}$      | Operating   | 4.5         | 5.0       | 5.5         | V                |
| Under-Voltage Lockout   | $V_{DD(UV)}$  | $V_{DD} = 0$ to $5\text{ V}$  | 3.4         | –         | 4.0         | V                |
| Output Current<br>(any single output)   | $I_O$         | $V_{CE} = 1.0\text{ V}$ , $R_{EXT} = 160\ \Omega$   | 100         | 120       | 140         | mA               |
|   |               | $V_{CE} = 0.4\text{ V}$ , $R_{EXT} = 470\ \Omega$   | 34          | 42        | 48          | mA               |
| Output Current Matching<br>(difference between any two outputs at same $V_{CE}$ ) | $\Delta I_O$  | $0.4\text{ V} \leq V_{CE(A)} = V_{CE(B)} \leq 1.0\text{ V}$ :<br>$R_{EXT} = 160\ \Omega$<br>$R_{EXT} = 470\ \Omega$ | –           | $\pm 1.5$ | $\pm 6.0$   | %                |
|   |               |   | –           | $\pm 1.5$ | $\pm 6.0$   | %                |
| Output Leakage Current  | $I_{CEX}$     | $V_{OH} = 20\text{ V}$  | –           | 1.0       | 5.0         | $\mu\text{A}$    |
| Logic Input Voltage   | $V_{IH}$      |   | $0.7V_{DD}$ | –         | –           | V                |
|   | $V_{IL}$      |   | –           | –         | $0.3V_{DD}$ | V                |
| SERIAL DATA OUT Voltage<br>( $SDO_1$ & $SDO_2$ )                                  | $V_{OL}$      | $I_{OL} = 1.0\text{ mA}$  | –           | –         | 0.4         | V                |
|   | $V_{OH}$      | $I_{OH} = -1.0\text{ mA}$   | 4.6         | –         | –           | V                |
| Input Resistance  | $R_I$         | ENABLE input, pull up   | 150         | 300       | 600         | $\text{k}\Omega$ |
|   |               | LATCH & $\overline{\text{HIGH/LOW}}$ inputs, pull down  | 100         | 270       | 400         | $\text{k}\Omega$ |
| Supply Current  | $I_{DD(OFF)}$ | $R_{EXT} = \text{open}$ , $V_{OE} = 5\text{ V}$   | –           | 0.8       | 1.6         | mA               |
|   |               | $R_{EXT} = 470\ \Omega$ , $V_{OE} = 5\text{ V}$   | 3.5         | 6.5       | 9.5         | mA               |
|   |               | $R_{EXT} = 160\ \Omega$ , $V_{OE} = 5\text{ V}$   | 14          | 17        | 22          | mA               |
|   | $I_{DD(ON)}$  | $R_{EXT} = 470\ \Omega$ , $V_{OE} = 0\text{ V}$   | 5.0         | 10        | 15          | mA               |
|   |               | $R_{EXT} = 160\ \Omega$ , $V_{OE} = 0\text{ V}$   | 20          | 27        | 40          | mA               |

Typical Data is at  $V_{DD} = 5\text{ V}$  and is for design information only.

**SWITCHING CHARACTERISTICS** at  $T_A = 25^\circ\text{C}$ ,  $V_{DD} = V_{IH} = 5\text{ V}$ ,  $V_{CE} = 0.4\text{ V}$ ,  $V_{IL} = 0\text{ V}$ ,  $R_{EXT} = 470\ \Omega$ ,  $I_O = 40\text{ mA}$ ,  $V_L = 3\text{ V}$ ,  $R_L = 65\ \Omega$ ,  $C_L = 10.5\text{ pF}$ .

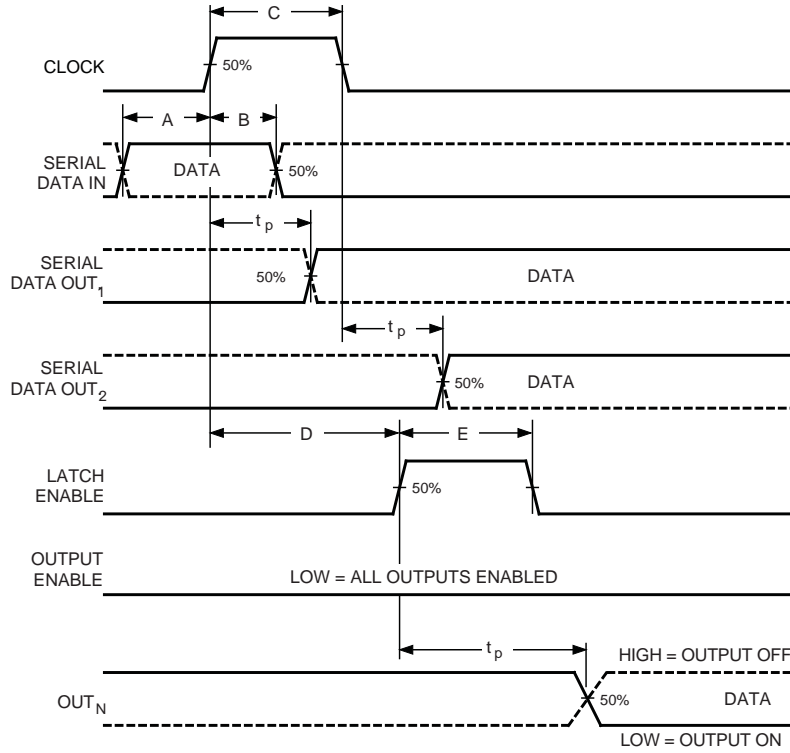
| Characteristic         | Symbol    | Test Conditions                    | Limits |      |      |      |
|------------------------|-----------|------------------------------------|--------|------|------|------|
|                        |           |                                    | Min.   | Typ. | Max. | Unit |
| Propagation Delay Time | $t_{pHL}$ | CLOCK-OUT <sub>n</sub>             | –      | 350  | 1000 | ns   |
|                        |           | LATCH-OUT <sub>n</sub>             | –      | 350  | 1000 | ns   |
|                        |           | ENABLE-OUT <sub>n</sub>            | –      | 350  | 1000 | ns   |
|                        |           | CLOCK-SERIAL DATA OUT <sub>1</sub> | –      | 40   | –    | ns   |
| Propagation Delay Time | $t_{pLH}$ | CLOCK-OUT <sub>n</sub>             | –      | 300  | 1000 | ns   |
|                        |           | LATCH-OUT <sub>n</sub>             | –      | 400  | 1000 | ns   |
|                        |           | ENABLE-OUT <sub>n</sub>            | –      | 380  | 1000 | ns   |
|                        |           | CLOCK-SERIAL DATA OUT <sub>2</sub> | –      | 40   | –    | ns   |
| Output Fall Time       | $t_f$     | 90% to 10% voltage                 | 150    | 250  | 1000 | ns   |
| Output Rise Time       | $t_r$     | 10% to 90% voltage                 | 150    | 250  | 600  | ns   |

## RECOMMENDED OPERATING CONDITIONS

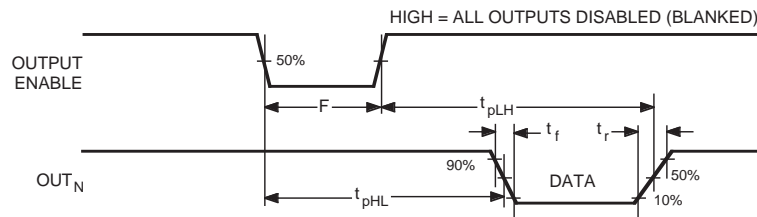
| Characteristic      | Symbol   | Conditions                 | Min.        | Typ. | Max.        | Unit |
|---------------------|----------|----------------------------|-------------|------|-------------|------|
| Supply Voltage      | $V_{DD}$ |                            | 4.5         | 5.0  | 5.5         | V    |
| Output Voltage      | $V_O$    |                            | –           | 1.0  | 4.0         | V    |
| Output Current      | $I_O$    | Continuous, any one output | –           | –    | 150         | mA   |
|                     | $I_{OH}$ | SERIAL DATA OUT            | –           | –    | -1.0        | mA   |
|                     | $I_{OL}$ | SERIAL DATA OUT            | –           | –    | 1.0         | mA   |
| Logic Input Voltage | $V_{IH}$ |                            | $0.7V_{DD}$ | –    | –           | V    |
|                     | $V_{IL}$ |                            | –           | –    | $0.3V_{DD}$ | V    |
| Clock Frequency     | $f_{CK}$ | Cascade operation          | –           | –    | 10          | MHz  |

**TIMING REQUIREMENTS and SPECIFICATIONS**

(Logic Levels are  $V_{DD}$  and Ground)



Dwg. WP-029-3



Dwg. WP-030-1A

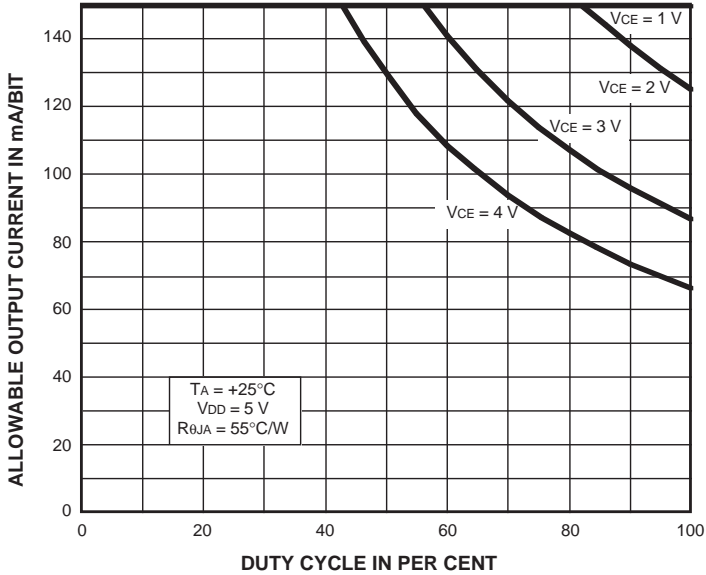
- A.** Data Active Time Before Clock Pulse  
(Data Set-Up Time),  $t_{su(D)}$  ..... **60 ns**
  - B.** Data Active Time After Clock Pulse  
(Data Hold Time),  $t_{h(D)}$  ..... **20 ns**
  - C.** Clock Pulse Width,  $t_{w(CK)}$  ..... **50 ns**
  - D.** Time Between Clock Activation  
and Latch Enable,  $t_{su(L)}$  ..... **100 ns**
  - E.** Latch Enable Pulse Width,  $t_{w(L)}$  ..... **100 ns**
  - F.** Output Enable Pulse Width,  $t_{w(OE)}$  ..... **4.5  $\mu$ s**
- NOTE – Timing is representative of a 10 MHz clock.  
Significantly higher speeds are attainable.
- Max. Clock Transition Time,  $t_r$  or  $t_f$  ..... **10  $\mu$ s**

Information present at any register is transferred to the respective latch when the LATCH ENABLE is high (serial-to-parallel conversion). The latches will continue to accept new data as long as the LATCH ENABLE is held high. Applications where the latches are bypassed (LATCH ENABLE tied high) will require that the OUTPUT ENABLE input be high during serial data entry.

When the OUTPUT ENABLE input is high, the output source drivers are disabled (OFF). The information stored in the latches is not affected by the OUTPUT ENABLE input. With the OUTPUT ENABLE input low, the outputs are controlled by the state of their respective latches.

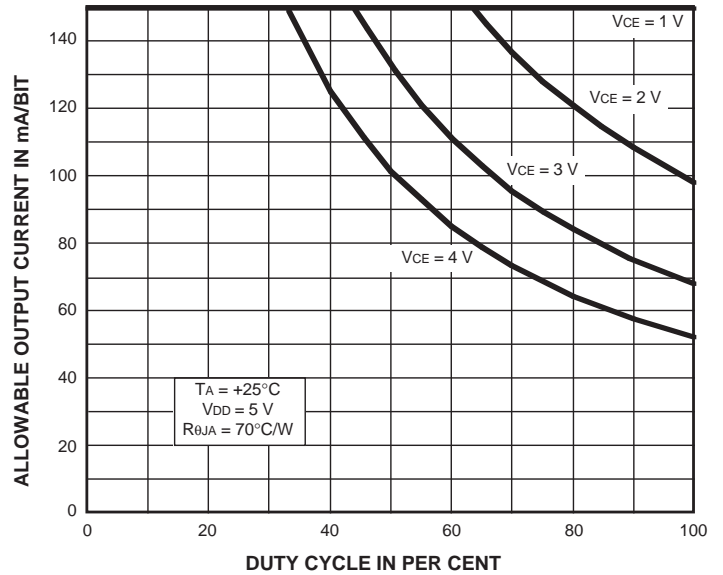
**ALLOWABLE OUTPUT CURRENT AS A FUNCTION OF DUTY CYCLE**

**Package A**

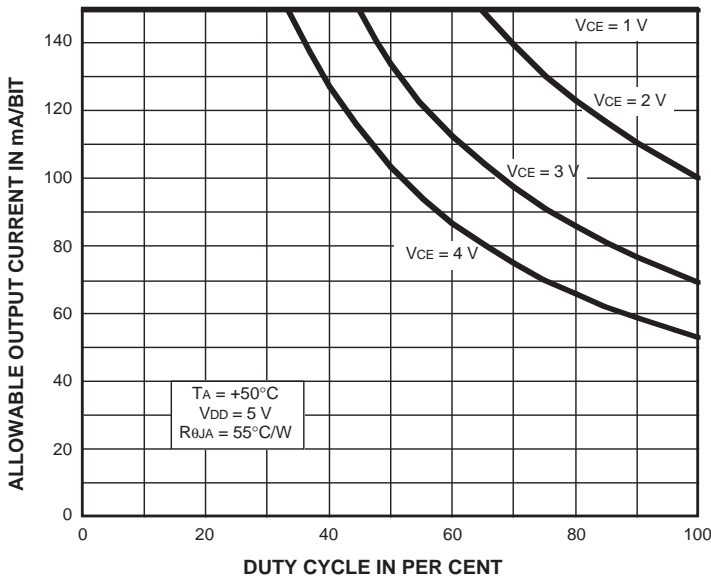


Dwg. GP-062-17

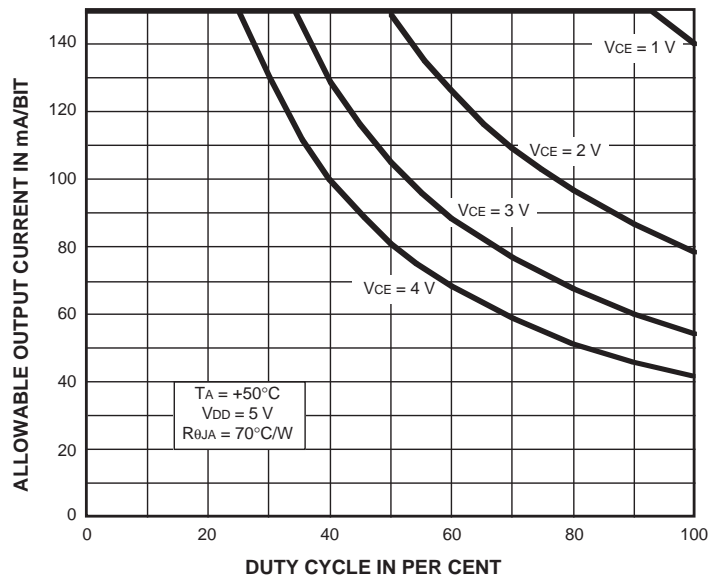
**Package LW**



Dwg. GP-062-16



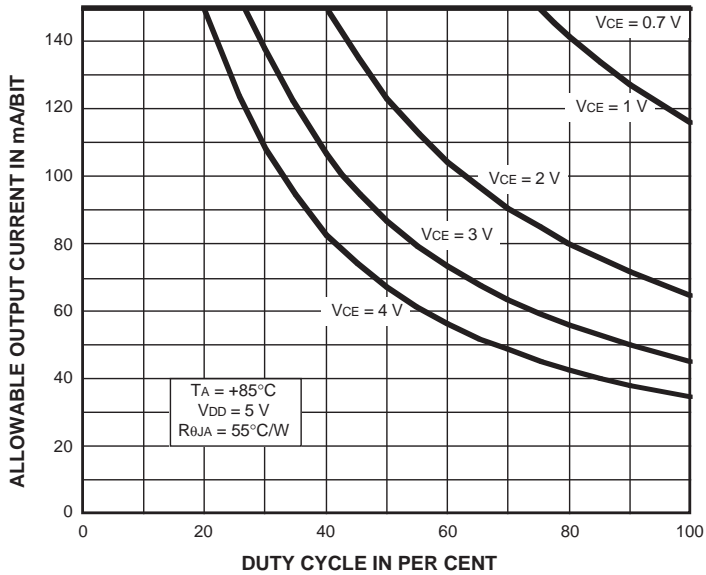
Dwg. GP-062-15



Dwg. GP-062-14

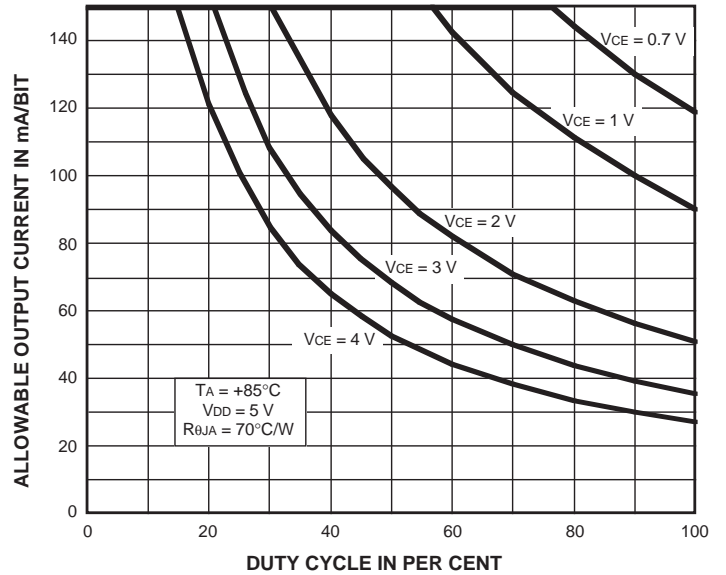
**ALLOWABLE OUTPUT CURRENT AS A FUNCTION OF DUTY CYCLE (cont.)**

**Package A**



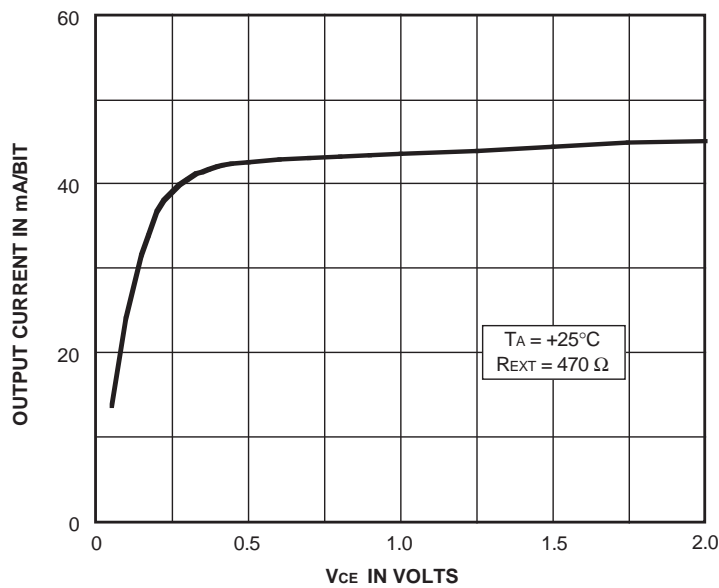
Dwg. GP-062-13

**Package LW**



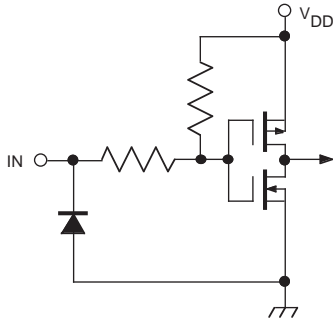
Dwg. GP-062-12

**TYPICAL CHARACTERISTICS**



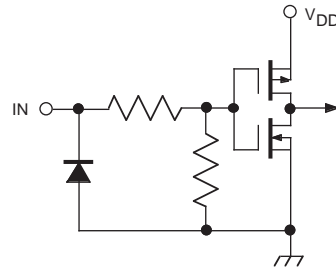
Dwg. GP-063-1





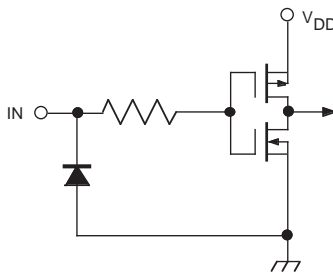
Dwg. EP-010-11

OUTPUT ENABLE (active low)



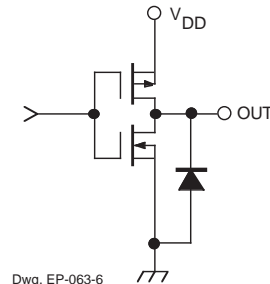
Dwg. EP-010-12

LATCH ENABLE and  $\overline{\text{HIGH/LOW}}$



Dwg. EP-010-13

CLOCK and SERIAL DATA IN



Dwg. EP-063-6

SERIAL DATA OUT

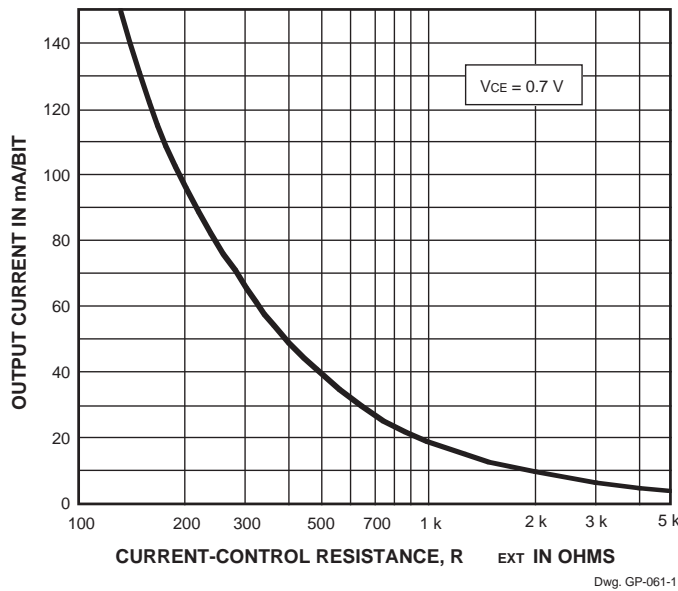
TRUTH TABLE

| Serial Data Input | Clock Input | Shift Register Contents |                |                |     |                  |                  | Serial Data Output | Latch Enable Input | Latch Contents |                |                |     |                  |                | Output Enable Input | Output Contents |                |                |     |                  |                |
|-------------------|-------------|-------------------------|----------------|----------------|-----|------------------|------------------|--------------------|--------------------|----------------|----------------|----------------|-----|------------------|----------------|---------------------|-----------------|----------------|----------------|-----|------------------|----------------|
|                   |             | I <sub>1</sub>          | I <sub>2</sub> | I <sub>3</sub> | ... | I <sub>N-1</sub> | I <sub>N</sub>   |                    |                    | I <sub>1</sub> | I <sub>2</sub> | I <sub>3</sub> | ... | I <sub>N-1</sub> | I <sub>N</sub> |                     | I <sub>1</sub>  | I <sub>2</sub> | I <sub>3</sub> | ... | I <sub>N-1</sub> | I <sub>N</sub> |
| H                 |             | H                       | R <sub>1</sub> | R <sub>2</sub> | ... | R <sub>N-2</sub> | R <sub>N-1</sub> | R <sub>N-1</sub>   |                    |                |                |                |     |                  |                |                     |                 |                |                |     |                  |                |
| L                 |             | L                       | R <sub>1</sub> | R <sub>2</sub> | ... | R <sub>N-2</sub> | R <sub>N-1</sub> | R <sub>N-1</sub>   |                    |                |                |                |     |                  |                |                     |                 |                |                |     |                  |                |
| X                 |             | R <sub>1</sub>          | R <sub>2</sub> | R <sub>3</sub> | ... | R <sub>N-1</sub> | R <sub>N</sub>   | R <sub>N</sub>     |                    |                |                |                |     |                  |                |                     |                 |                |                |     |                  |                |
|                   |             | X                       | X              | X              | ... | X                | X                | X                  | L                  | R <sub>1</sub> | R <sub>2</sub> | R <sub>3</sub> | ... | R <sub>N-1</sub> | R <sub>N</sub> |                     |                 |                |                |     |                  |                |
|                   |             | P <sub>1</sub>          | P <sub>2</sub> | P <sub>3</sub> | ... | P <sub>N-1</sub> | P <sub>N</sub>   | P <sub>N</sub>     | H                  | P <sub>1</sub> | P <sub>2</sub> | P <sub>3</sub> | ... | P <sub>N-1</sub> | P <sub>N</sub> | L                   |                 |                |                |     |                  |                |
|                   |             |                         |                |                |     |                  |                  |                    |                    | X              | X              | X              | ... | X                | X              | H                   | H               | H              | ...            | H   | H                |                |

L = Low Logic (Voltage) Level H = High Logic (Voltage) Level X = Irrelevant P = Present State R = Previous State

Applications Information

The load current per bit ( $I_O$ ) is set by the external resistor ( $R_{EXT}$ ) as shown in the figure below.



0.7 V per diode) for a group of drivers. If the available voltage source will cause unacceptable dissipation and series resistors or diode(s) are undesirable, a regulator such as the Sanken Series SAI or Series SI can be used to provide supply voltages as low as 3.3 V.

For reference, typical LED forward voltages are:

|          |              |
|----------|--------------|
| White    | 3.5 – 4.0 V  |
| Blue     | 3.0 – 4.0 V  |
| Green    | 1.8 – 2.2 V  |
| Yellow   | 2.0 – 2.1 V  |
| Amber    | 1.9 – 2.65 V |
| Red      | 1.6 – 2.25 V |
| Infrared | 1.2 – 1.5 V  |

**Pattern Layout.** This device has separate logic-ground and power-ground terminals. If ground pattern layout contains large common-mode resistance, and the voltage between the system ground and the LATCH ENABLE or CLOCK terminals exceeds 2.5 V (because of switching noise), these devices may not operate correctly.

**Package Power Dissipation ( $P_D$ ).** The maximum allowable package power dissipation is determined as

$$P_{D(max)} = (150 - T_A) / R_{\theta JA}$$

The actual package power dissipation is

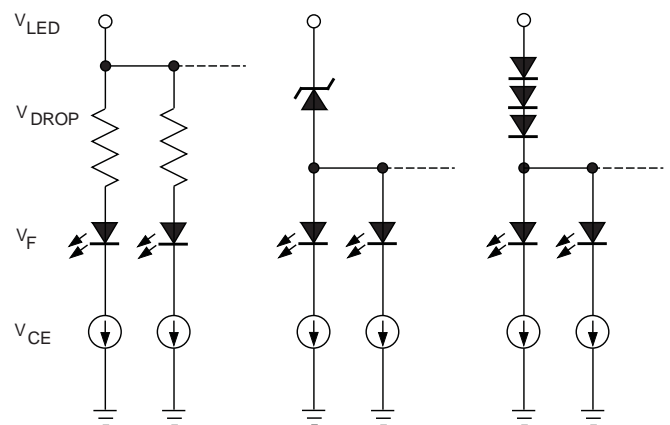
$$P_{D(act)} = dc(V_{CE} \cdot I_O \cdot 8) + (V_{DD} \cdot I_{DD})$$

When the load supply voltage is greater than 3 V to 5 V, considering the package power dissipating limits of these devices, or if  $P_{D(act)} > P_{D(max)}$ , an external voltage reducer ( $V_{DROP}$ ) should be used.

**Load Supply Voltage ( $V_{LED}$ ).** These devices are designed to operate with driver voltage drops ( $V_{CE}$ ) of 0.4 V to 0.7 V with LED forward voltages ( $V_F$ ) of 1.2 V to 4.0 V. If higher voltages are dropped across the driver, package power dissipation will be increased significantly. To minimize package power dissipation, it is recommended to use the lowest possible load supply voltage or to set any series dropping voltage ( $V_{DROP}$ ) as

$$V_{DROP} = V_{LED} - V_F - V_{CE}$$

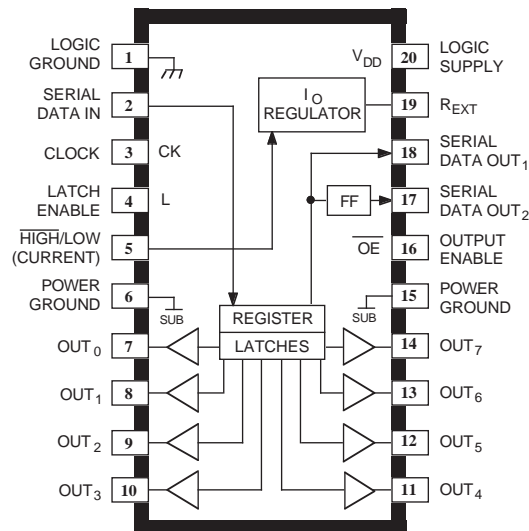
with  $V_{DROP} = I_O \cdot R_{DROP}$  for a single driver, or a Zener diode ( $V_Z$ ), or a series string of diodes (approximately



Dwg. EP-064

**Pin-out Diagram**

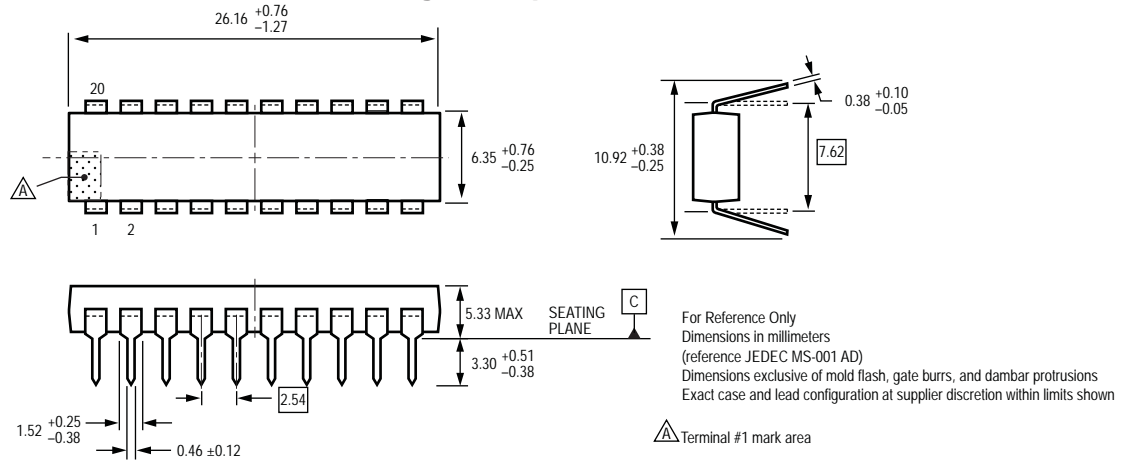
(A and LW packages)



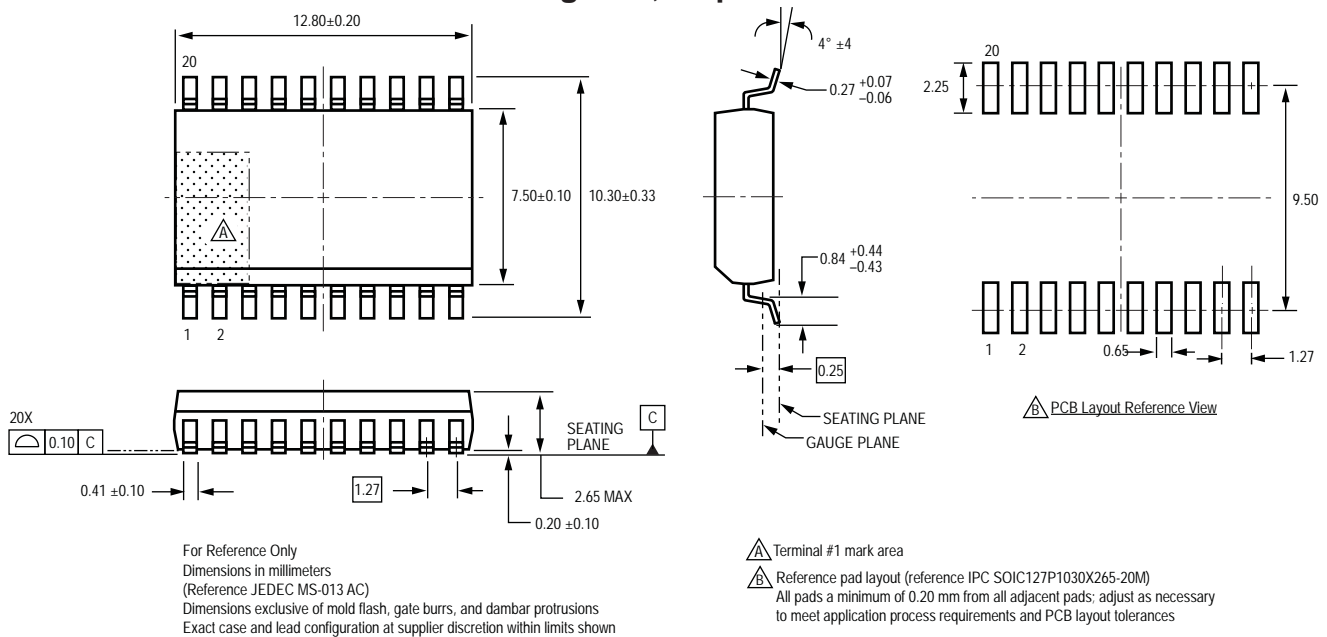
**TERMINAL DESCRIPTION**

| Terminal No. | Terminal Name           | Function   |
|--------------|-------------------------|--|
| 1            | LOGIC GROUND            | Reference terminal for control logic.  |
| 2            | SERIAL DATA IN          | Serial-data input to the shift-register.   |
| 3            | CLOCK                   | Clock input terminal for data shift on rising edge.  |
| 4            | LATCH ENABLE            | Data strobe input terminal; serial data is latched with high-level input.                                  |
| 5            | HIGH/LOW (CURRENT)      | Logic low for 100% of programmed current level; logic high for 50% of programmed current level.            |
| 6            | POWER GROUND            | Ground.  |
| 7-14         | OUT <sub>0-7</sub>      | The eight current-sinking output terminals.  |
| 15           | POWER GROUND            | Ground.  |
| 16           | OUTPUT ENABLE           | When (active) low, the output drivers are enabled; when high, all output drivers are turned OFF (blanked). |
| 17           | SERIAL OUT <sub>2</sub> | CMOS serial-data output (on clock falling edge).   |
| 18           | SERIAL OUT <sub>1</sub> | CMOS serial-data output (on clock rising edge) to the following shift-registers.                           |
| 19           | R <sub>EXT</sub>        | An external resistor at this terminal establishes the output current for all sink drivers.                 |
| 20           | LOGIC SUPPLY            | (V <sub>DD</sub> ) The logic supply voltage. Typically 5 V.  |

Package A, 20-pin DIP



Package LW, 20-pin SOICW



Copyright ©2001-2009, Allegro MicroSystems, Inc.

The products described here are manufactured under one or more U.S. patents or U.S. patents pending.

Allegro MicroSystems, Inc. reserves the right to make, from time to time, such departures from the detail specifications as may be required to permit improvements in the performance, reliability, or manufacturability of its products. Before placing an order, the user is cautioned to verify that the information being relied upon is current.

Allegro's products are not to be used in life support devices or systems, if a failure of an Allegro product can reasonably be expected to cause the failure of that life support device or system, or to affect the safety or effectiveness of that device or system.

The information included herein is believed to be accurate and reliable. However, Allegro MicroSystems, Inc. assumes no responsibility for its use; nor for any infringement of patents or other rights of third parties which may result from its use.

For the latest version of this document, visit our website:

[www.allegromicro.com](http://www.allegromicro.com)

