

阅读申明

- 1.本站收集的数据手册和产品资料都来自互联网，版权归原作者所有。如读者和版权方有任何异议请及时告之，我们将妥善解决。
- 2.本站提供的中文数据手册是英文数据手册的中文翻译，其目的是协助用户阅读，该译文无法自动跟随原稿更新，同时也可能存在翻译上的不当。建议读者以英文原稿为参考以便获得更精准的信息。
- 3.本站提供的产品资料，来自厂商的技术支持或者使用者的心得体会等，其内容可能存在描述上的差异，建议读者做出适当判断。
- 4.如需与我们联系，请发邮件到marketing@iczoom.com，主题请标有“数据手册”字样。

Read Statement

1. The datasheets and other product information on the site are all from network reference or other public materials, and the copyright belongs to the original author and original published source. If readers and copyright owners have any objections, please contact us and we will deal with it in a timely manner.
2. The Chinese datasheets provided on the website is a Chinese translation of the English datasheets. Its purpose is for reader's learning exchange only and do not involve commercial purposes. The translation cannot be automatically updated with the original manuscript, and there may also be improper translations. Readers are advised to use the English manuscript as a reference for more accurate information.
3. All product information provided on the website refer to solutions from manufacturers' technical support or users the contents may have differences in description, and readers are advised to take the original article as the standard.
4. If you have any questions, please contact us at marketing@iczoom.com and mark the subject with "Datasheets" .

SLA7031M/SLA7032M/SLA7033M 2-Phase/1-2 Phase Excitation

Absolute Maximum Ratings

(T_a=25°C)

Parameter	Symbol	Ratings			Unit
		SLA7031M	SLA7032M	SLA7033M	
Motor Supply Voltage	V _{CC}	46			V
Control Supply Voltage	V _S	46			V
FET Drain-Source Voltage	V _{DSS}	100			V
Input Voltage	V _{IN}	-0.3 to +7			V
	V _{SYNC}	-0.3 to +7			
Reference Voltage	V _{REF}	-0.3 to +7			V
Sense Voltage	V _{RS}	-5 to +7			V
Output Current	I _O	1	1.5	3	A
	P _{D1}	4.5(Without Heatsink)			W
Power Dissipation	P _{D2}	35(T _c =25°C)			W
Channel Temperature	T _{ch}	+150			°C
Operating Ambient Temperature	T _a	-20 to +85			°C
Storage Temperature	T _{stg}	-40 to +150			°C

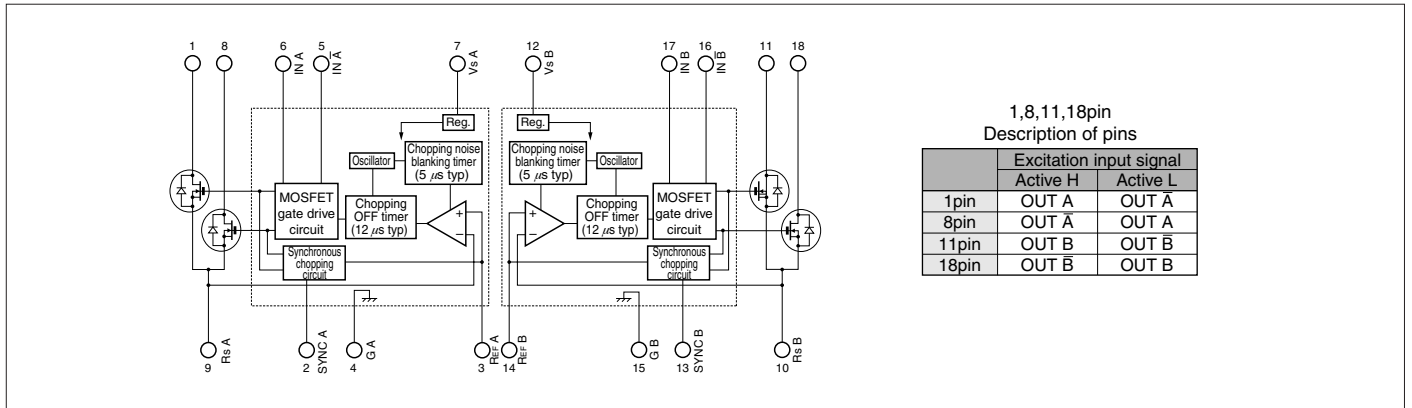
Recommended Operating Conditions

Parameter	Symbol	Ratings		Unit	Remarks
		min.	max.		
Motor Supply Voltage	V _M		44	V	
Control Supply Voltage	V _S	10	44	V	
REF Input Voltage	V _{REF}	0.1	1.0	V	The control current precision is degraded at 0.1V or lower.
	V _{REF(dis)}	4.0	5.5	V	Output MOS FET OFF
Case Temperature	T _C		100	°C	Temperature of 4(15)-Pin Lead(without heatsink)

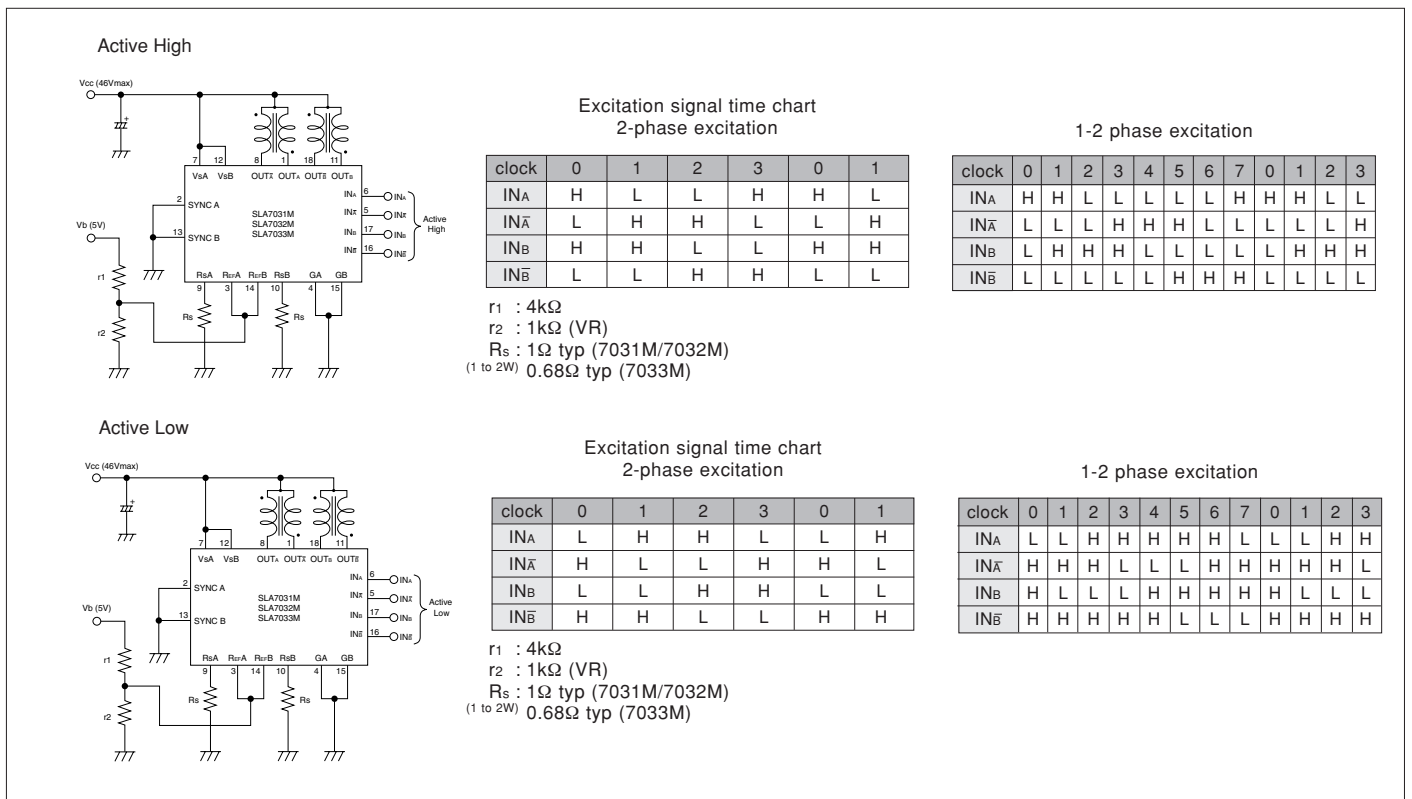
Electrical Characteristics

Parameter	Symbol	Ratings									Unit				
		SLA7031M			SLA7032M			SLA7033M							
		min.	typ.	max.	min.	typ.	max.	min.	typ.	max.					
Control Supply Current	I _S	10			15			10			15			mA	
	Condition	V _S =44V													
Control Supply Voltage	V _S	10	24	44	10	24	44	10	24	44	V				
FET Drain-Source Voltage	V _{DSS}	100									V				
	Condition	V _S =44V, I _{DSS} =250μA													
FET ON Voltage	V _{DS}				0.85						0.85			V	
	Condition	I _D =1A, V _S =10V													
FET Diode Forward Voltage	V _{SD}				1.2						2.3			V	
	Condition	I _{SD} =1A													
FET Drain Leakage Current	I _{DSS}				250						250			μA	
	Condition	V _{DSS} =100V, V _S =44V													
IN Terminal	Input Voltage (Active High)	V _{IH}	2.0									V			
		Condition	I _D =1A												
		V _{IL}				0.8							0.8		
	Input Voltage (Active Low)	V _{IH}	2.0									V			
		Condition	V _{DSS} =100V												
		V _{IL}				0.8							0.8		
Input Current	I _I				±1						±1			μA	
	Condition	V _S =44V, V _I =0 or 5V													
SYNC Terminal	Input Voltage	V _{SYNC}	4.0									V			
		Condition	Synchronous chopping mode												
		V _{SYNC}				0.8							0.8		
	Input Current	Condition	Asynchronous chopping mode												
		I _{SYNC}				0.1						0.1			mA
		Condition	V _S =44V, V _{SYNC} =5V												
I _{SYNC}				-0.1						-0.1					
REF Terminal	Input Current	V _{REF}	0			2.0			0			2.0			V
		Condition	Reference Voltage input												
		V _{REF}	4.0			5.5			4.0			5.5			
	Input Current	Condition	Output FET OFF												
		I _{REF}				±1						±1			μA
		Condition	No synchronous trigger												
Internal Resistance	R _{REF}	40									Ω				
Condition	Resistance between GND and REF terminal at synchronous trigger														
Sense Voltage	V _{RS}	V _{REF}										V			
		T _r	0.5												
	Switching Time	T _{stg}	0.7									μs			
		T _f	0.1												
		Condition	V _S =24V, I _D =0.8A												
Chopping OFF Time	T _{OFF}	12									μs				
	Condition	V _S =24V													

Internal Block Diagram



Typical Connection Diagram (Recommended component values)



External Dimensions (ZIP18 with Fin [SLA18Pin])

(Unit : mm)

