

阅读申明

- 1.本站收集的数据手册和产品资料都来自互联网，版权归原作者所有。如读者和版权方有任何异议请及时告之，我们将妥善解决。
- 2.本站提供的中文数据手册是英文数据手册的中文翻译，其目的是协助用户阅读，该译文无法自动跟随原稿更新，同时也可能存在翻译上的不当。建议读者以英文原稿为参考以便获得更精准的信息。
- 3.本站提供的产品资料，来自厂商的技术支持或者使用者的心得体会等，其内容可能存在描述上的差异，建议读者做出适当判断。
- 4.如需与我们联系，请发邮件到marketing@iczoom.com，主题请标有“数据手册”字样。

Read Statement

1. The datasheets and other product information on the site are all from network reference or other public materials, and the copyright belongs to the original author and original published source. If readers and copyright owners have any objections, please contact us and we will deal with it in a timely manner.
2. The Chinese datasheets provided on the website is a Chinese translation of the English datasheets. Its purpose is for reader's learning exchange only and do not involve commercial purposes. The translation cannot be automatically updated with the original manuscript, and there may also be improper translations. Readers are advised to use the English manuscript as a reference for more accurate information.
3. All product information provided on the website refer to solutions from manufacturers' technical support or users the contents may have differences in description, and readers are advised to take the original article as the standard.
4. If you have any questions, please contact us at marketing@iczoom.com and mark the subject with "Datasheets" .

FAN8082D

Bi-directional DC Motor Driver

Features

- Built-in brake function for stable brake characteristics.
- Built-in element to absorb a surge current derived from changing motor direction and braking motor drive.
- Motor speed control by an external voltage.
- Stable motor direction change.
- Interfaces with CMOS devices.
- Built-in the thermal shut down circuit (165°C).
- Low standby current. (6.5mA)

Description

The FAN8082D is a monolithic integrated circuit designed for driving bi-directional DC motor with braking and speed control, and it is suitable for the loading motor driver of VCR, CDP, and TOY systems. The speed control can be achieved by adjusting the external voltage of the speed control pin. It has two pins of logic inputs for controlling the forward/ reverse and braking.



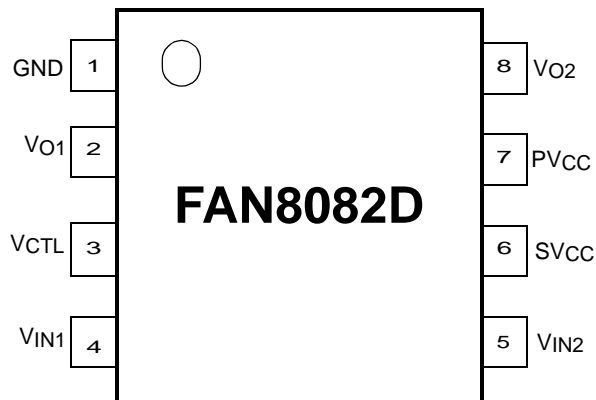
Typical Applications

- Compact disk player (CDP) tray or changer
- Low current DC motor such as audio or video equipment.
- General DC motor

Ordering Information

Device	Package	Operating Temp.
FAN8082D	8-SOP-225	-25°C ~ +75°C
FAN8082DTF	8-SOP-225	-25°C ~ +75°C

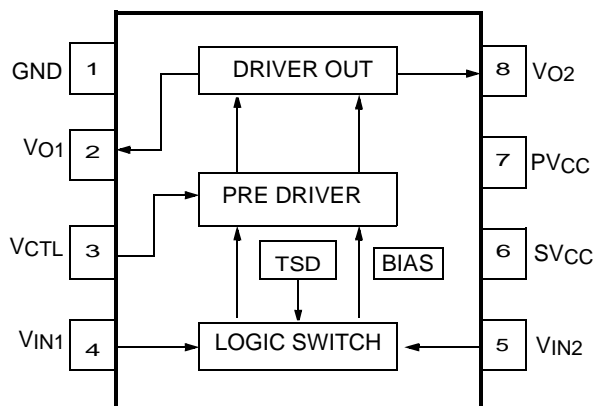
Pin Assignments



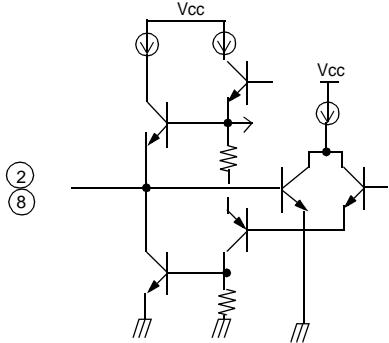
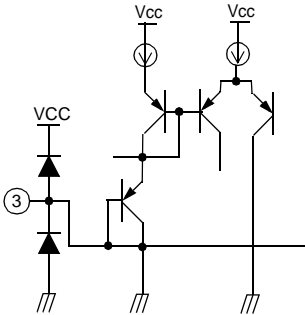
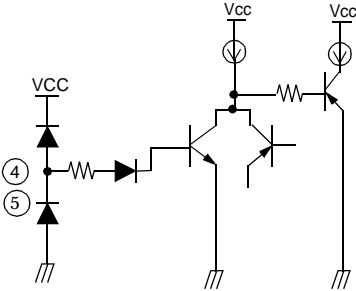
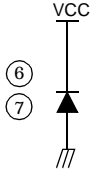
Pin Definitions

Pin Number	Pin Name	I/O	Pin Function Description
1	GND	-	Ground
2	VO1	O	Output 1
3	VCTL	I	Motor speed control
4	VIN1	I	Input 1
5	VIN2	I	Input 2
6	SVCC	-	Supply voltage (Signal)
7	PVCC	-	Supply voltage (Power)
8	VO2	O	Output 2

Internal Block Diagram



Equivalent Circuit

Description	Pin No.	Internal circuit
Output	2, 8	
Speed control	3	
Input	4, 5	
SVCC PVCC	6 7	

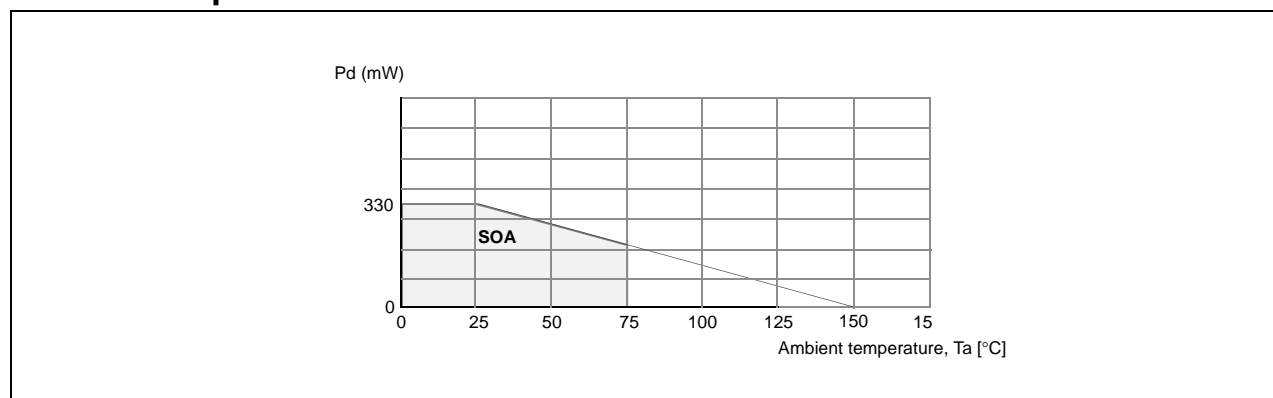
Absolute Maximum Ratings (Ta = 25°C)

Parameter	Symbol	Value	Unit	Remark
Supply voltage	VCCmax	13	V	-
Maxium Output current	IOmax	0.8 ^{note1}	A	-
Power dissipation	Pd	330 ^{note2}	mW	-
Operating temperature	TOPR	-25 ~ +75	°C	-
Storage temperature	TSTG	-55 ~ +125	°C	-

NOTES:

1. Duty 1 / 100, pulse width 500μs
2. 1) When mounted on glass epoxy PCB (76.2 × 114 × 1.57mm)
2) Power dissipation reduces 2.64mW / °C for using above Ta=25°C.
- 3) Do not exceed Pd and SOA(Safe Operating Area).

Power Dissipation Curve



Recommened Operating Conditions (Ta = 25°C)

Parameter	Symbol	Operating voltage range	Unit
Operating supply voltage (Signal) ^{note}	SVCC	7 ~ 12	V
Operating supply voltage (Power) ^{note}	PVCC	4 ~ 8	V

NOTE:

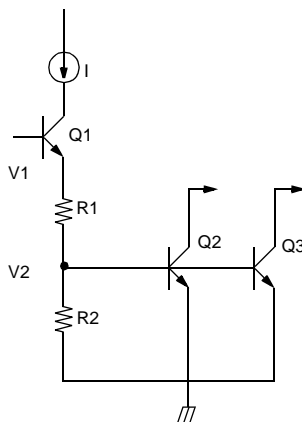
- Caution 1) $PVCC \leq SVCC$
 Caution 2) VCTL must be opened or $4.0 \leq VCTL \leq PVCC$

Electrical Characteristics (SVCC=PVCC=12V, Ta = 25°C)

Parameter	Symbol	Conditions	Min.	Typ.	Max.	Unit
Quiescent current	ICC	Pin4 & 5: GND, RL=∞	4	6.5	9.5	mA
Min. input-on current 1	IIN1	RL=∞, Pin4=IIN1, Pin5=L	-	10	30	μA
Min. input-on current 2	IIN2	RL=∞, Pin4=L, Pin5=IIN	-	10	30	μA
Input threshold voltage 1	VITH1	RL=∞, Pin4=VIN, Pin5=L	1.0	1.3	1.6	V
Input threshold voltage 2	VITH2	RL=∞, Pin4=L, Pin5=VIN	1.0	1.3	1.6	V
Output leakage current 1	IOL1	RL=∞, Pin4 & 6=GND	-	0.01	1	mA
Output leakage current 2	IOL2	RL=∞, Pin4 & 6=GND	-	0.01	1	mA
Zener current 1	IZ1	RL=∞, Pin4=H, Pin5=L	-	0.85	1.5	mA
Zener current 2	IZ2	RL=∞, Pin4=L, Pin5=H	-	0.85	1.5	mA
Output voltage 1	VO1	RL=60Ω, Pin4=H, Pin5=L	6.6	7.2	7.4	V
Output voltage 2	VO2	RL=60Ω, Pin4=L, Pin5=H	6.6	7.2	7.4	V
Saturation voltage 1 (Upper)	V SAT1	IO=300mA	-	1.9	2.3	V
Saturation voltage 2 (Upper)	VSAT2	IO=500mA	-	1.9	2.3	V
Saturation voltage 1 (Lower)	VSAT3	IO=300mA	-	0.25	0.5	V
Saturation voltage 2 (Lower)	VSAT4	IO=500mA	-	0.4	0.65	V

Application Information

1. Thermal Shut Down Circuit



When $T_a = 25^\circ\text{C}$, Q2 & Q3 are Turned-off and output stage operates normally.

$$V_1 = I \times (R_1 + R_2)$$

$$V_2 = R_2 / (R_1 + R_2) \times V_1 = 0.37\text{V}$$

When $T_a = 165^\circ\text{C}$, Q2 & Q3 Turn-on and it turns-off the output stage.

$$0.70\text{V} - 0.37\text{V} = 330\text{mV} \text{ (When Q2 \& Q3 are Turn-on, } V_{beQ2} = V_{beQ3} = 0.70\text{V)}$$

And temperature coefficient of $Q_2 = Q_3 = -2\text{mV} / ^\circ\text{C}$

$$\therefore \text{T.S.D: } 330\text{mV} / 2\text{mV} = 165^\circ\text{C}$$

2. Logic Input & Output Table

Input		Output		Motor
Pin #4	Pin #5	Pin #2	Pin #8	
Low	Low	*Low	*Low	Standby
High	Low	High	Low	Forward
Low	High	Low	High	Reverse
High	High	*Low	*Low	Brake

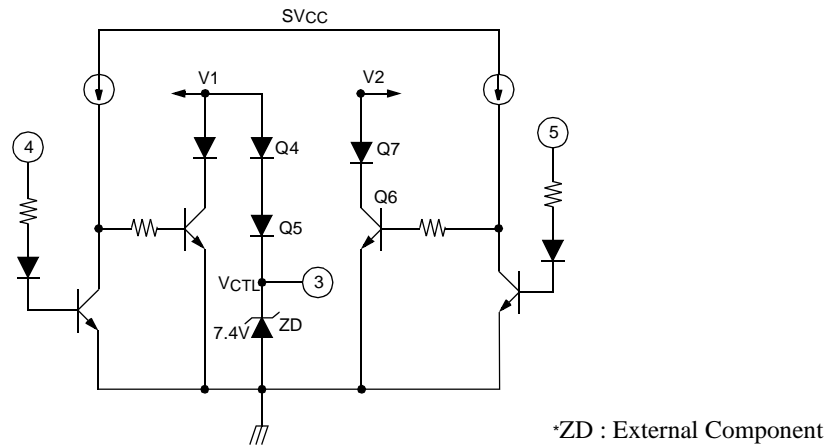
INPUT High is above 2.0V.

INPUT Low is below 0.7V.

*Low : All Power TRs are off-state.

But internal Bias makes output Voltage low state.

3. Logic Switch Circuit



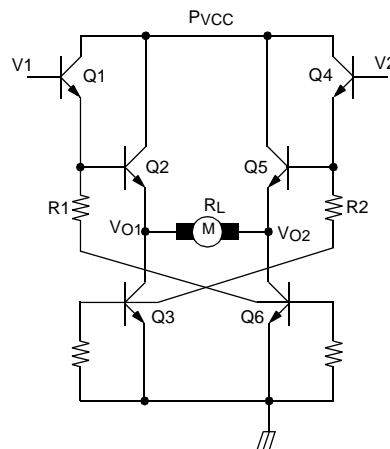
This circuit define reference voltage of output.

When pin #4 is "H" and pin #5 is "L",

- $V1 = Vz_d + V_{beQ4} + V_{beQ5} \approx 8.9V$
- $V2 = V_{beQ7} + V_{satQ6} \approx 0.87V$

V1 and V2 are related with the output voltage of the motor and change according to the voltage of pin #3 (VCTL).

4. Drive Output Circuit



$$V1 = 8.9V$$

$$V2 = 0.87V$$

$$VO1 = V1 - V_{BEQ1} - V_{BEQ2}$$

$$VO2 = V_{Q6SAT}$$

$$VO = VO1 - VO2 = V1 - V_{BEQ1} - V_{BEQ2} - V_{Q6SAT}$$

$$I_{RL} = (VO1 - VO2) / R_L$$

Typical Performance Characteristics

CHARACTERISTIC GRAPHS

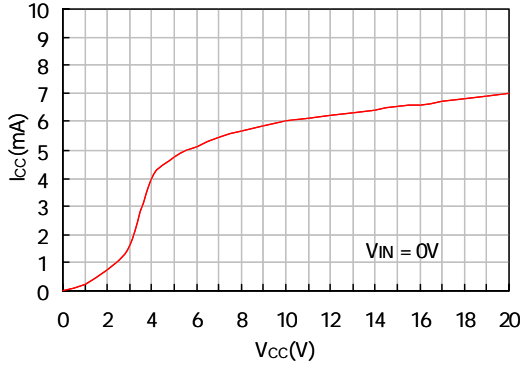


Figure 1. V_{CC} vs I_{CC}

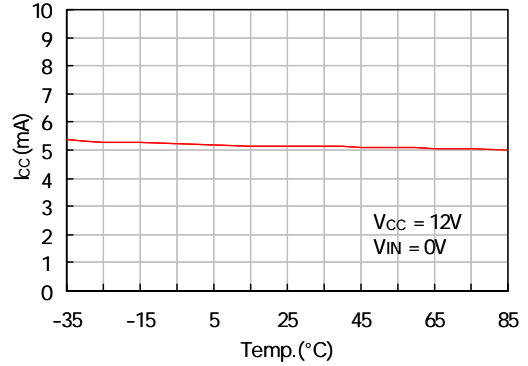


Figure 2. Temperature vs I_{CC}

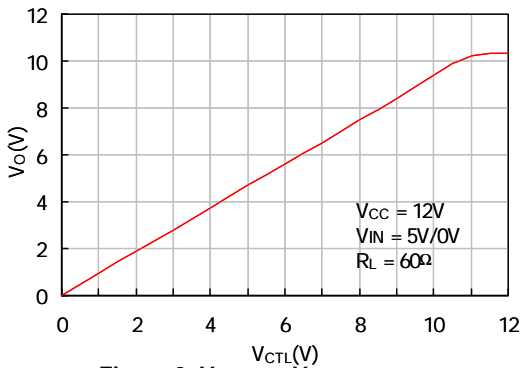


Figure 3. V_{CTL} vs V_O

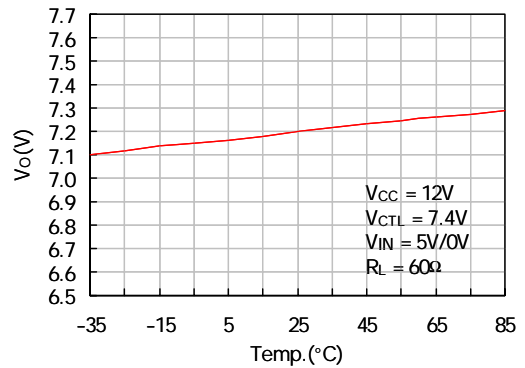


Figure 4. Temperature vs V_O

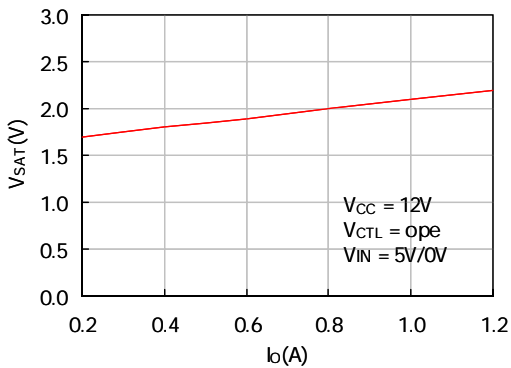


Figure 5. I_O vs V_{SAT}(UPPER)

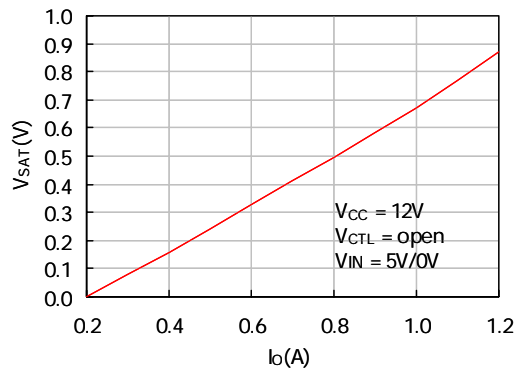
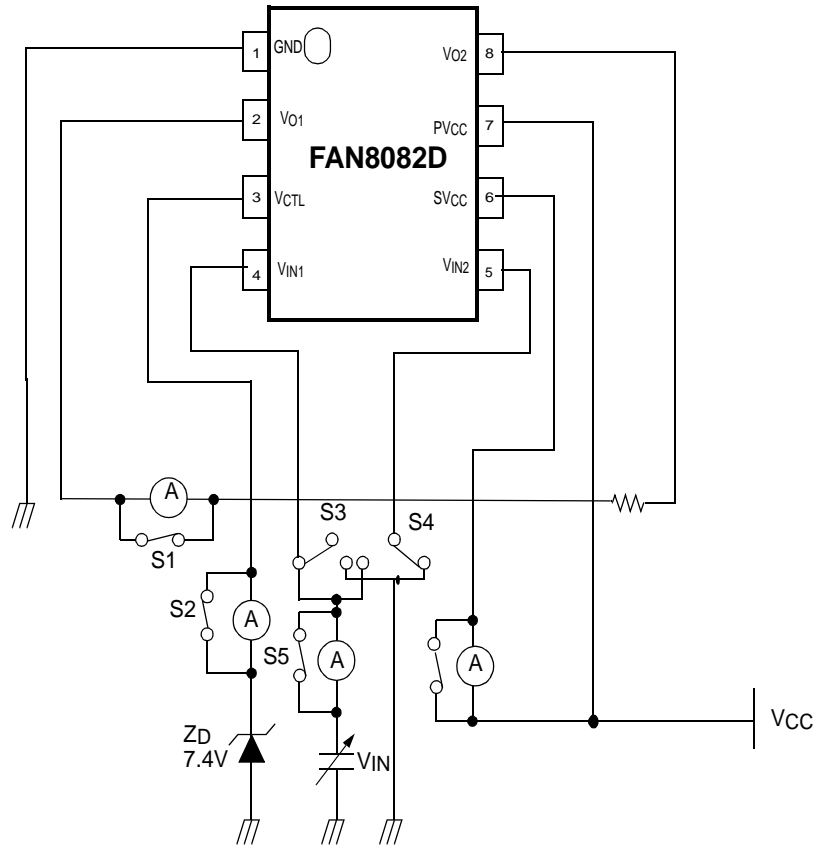
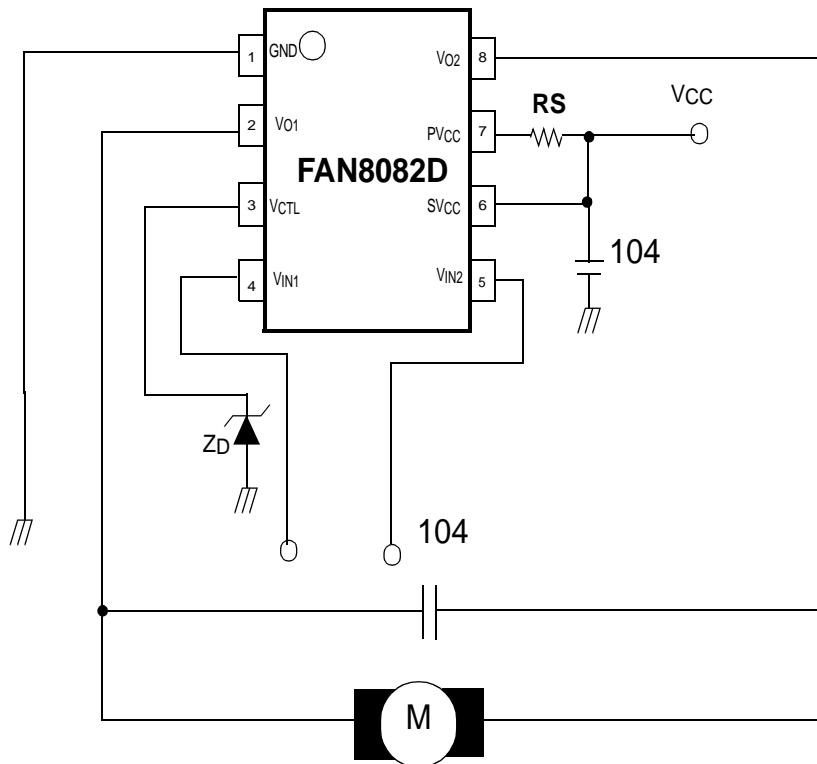


Figure 6. I_O vs V_{SAT}(LOWER)

Test Circuits



Application Circuits



*Must use RS.

DISCLAIMER

FAIRCHILD SEMICONDUCTOR RESERVES THE RIGHT TO MAKE CHANGES WITHOUT FURTHER NOTICE TO ANY PRODUCTS HEREIN TO IMPROVE RELIABILITY, FUNCTION OR DESIGN. FAIRCHILD DOES NOT ASSUME ANY LIABILITY ARISING OUT OF THE APPLICATION OR USE OF ANY PRODUCT OR CIRCUIT DESCRIBED HEREIN; NEITHER DOES IT CONVEY ANY LICENSE UNDER ITS PATENT RIGHTS, NOR THE RIGHTS OF OTHERS.

LIFE SUPPORT POLICY

FAIRCHILD'S PRODUCTS ARE NOT AUTHORIZED FOR USE AS CRITICAL COMPONENTS IN LIFE SUPPORT DEVICES OR SYSTEMS WITHOUT THE EXPRESS WRITTEN APPROVAL OF THE PRESIDENT OF FAIRCHILD SEMICONDUCTOR CORPORATION. As used herein:

1. Life support devices or systems are devices or systems which, (a) are intended for surgical implant into the body, or (b) support or sustain life, and (c) whose failure to perform when properly used in accordance with instructions for use provided in the labeling, can be reasonably expected to result in a significant injury of the user.
2. A critical component in any component of a life support device or system whose failure to perform can be reasonably expected to cause the failure of the life support device or system, or to affect its safety or effectiveness.