

阅读申明

- 1.本站收集的数据手册和产品资料都来自互联网，版权归原作者所有。如读者和版权方有任何异议请及时告之，我们将妥善解决。
- 2.本站提供的中文数据手册是英文数据手册的中文翻译，其目的是协助用户阅读，该译文无法自动跟随原稿更新，同时也可能存在翻译上的不当。建议读者以英文原稿为参考以便获得更精准的信息。
- 3.本站提供的产品资料，来自厂商的技术支持或者使用者的心得体会等，其内容可能存在描述上的差异，建议读者做出适当判断。
- 4.如需与我们联系，请发邮件到marketing@iczoom.com，主题请标有“数据手册”字样。

Read Statement

1. The datasheets and other product information on the site are all from network reference or other public materials, and the copyright belongs to the original author and original published source. If readers and copyright owners have any objections, please contact us and we will deal with it in a timely manner.
2. The Chinese datasheets provided on the website is a Chinese translation of the English datasheets. Its purpose is for reader's learning exchange only and do not involve commercial purposes. The translation cannot be automatically updated with the original manuscript, and there may also be improper translations. Readers are advised to use the English manuscript as a reference for more accurate information.
3. All product information provided on the website refer to solutions from manufacturers' technical support or users the contents may have differences in description, and readers are advised to take the original article as the standard.
4. If you have any questions, please contact us at marketing@iczoom.com and mark the subject with "Datasheets" .

Transition-mode PFC Controller

FEATURES

- Transition - mode control of PFC pre-regulator
- Low input current THD
- Ultra-low ($\leq 50\mu\text{A}$) start up current
- Low ($\leq 3.5\text{ mA}$) quiescent current
- Precise internal reference voltage
- Zero-current switching
- Leading edge blanking instead of RC filtering
- Clamp gate output voltage
- Adjustable line compensation
- Adjustable Output Overvoltage Protection
- Vcc Over Voltage Protection
- Open control loop protection
- IC Over Temperature Protection(OTP)
- Disable function
- Dip-8/SOP-8 packages

APPLICATIONS

- IEC61000-3-2 compliant SMPS (TV, desktop PC, monitor) up to 150W
- Hi-end AC-DC adapter/charger
- Entry level server & web server

DESCRIPTION

The FT821x is a current-mode PFC controller operating in Transition Mode (TM). The FT821x has rich protections. It provides a controlled on-time to regulate the output DC voltage and achieve natural power factor correction.

The highly linear multiplier makes the device capable of working in wide input voltage range applications (from 85V to 265V) with an excellent THD.

The output voltage is controlled by means of a voltage-mode error amplifier and a precise internal voltage reference.

The device features extremely low consumption and includes a disable function suitable for IC remote ON/OFF control, which makes it easier to comply with energy saving norms.

An effective two-step OVP enables to safely handle overvoltages either occurring at start-up or resulting from load disconnection.

The totem-pole output stage is capable of driving a MOSFET or IGBT with source and sink currents of $\pm 400\text{mA}$ typically. The device is operating in transition mode and it is optimized for Electronic Lamp Ballast application, AC-DC adapters and SMPS.

TYPICAL APPLICATION CIRCUIT

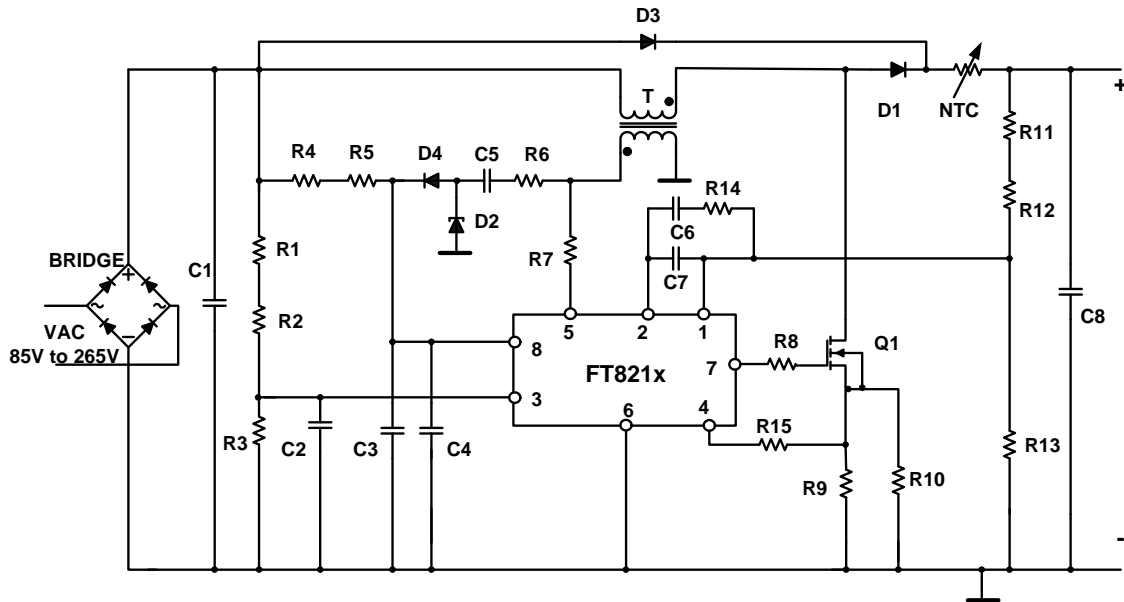


Figure 1: Typical Application Circuit

ABSOLUTE MAXIMUM RATINGS

Vcc to GND.....	-0.3V to +28V
INV to GND	-0.3V to +7V
COMP to GND.....	-0.3V to +7V
MULT to GND.....	-0.3V to +7V
CS to GND.....	-0.3V to 7V
IZCD.....	-5mA (source) / 5mA(sink)
Operating Temperature Range.....	-40°C to +125°C
Junction Temperature.....	-40°C to +150°C
Storage Temperature Range	-40°C to +150°C
ESD Protection HBM.....	3500V
ESD Protection MM.....	200V

* Stresses exceed those listed under “Absolute Maximum Ratings” may cause permanent damage to the device. Functional operation of the device at conditions beyond those listed in the specification is not guaranteed. Prolonged exposure to extreme conditions may affect device reliability or functionality.

PIN CONFIGURATION

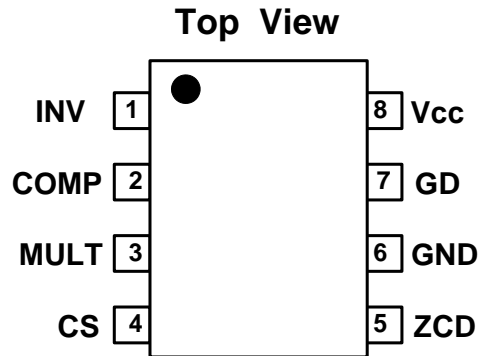


Figure 2: Pin Assignments

TERMINAL DESCRIPTION

No.	PIN	FUNCTION
1	INV	Inverting input of error amplifier. The information on the output voltage of the PFC pre-regulator is fed into the pin through a resistor divider. The pin also as an ON/OFF control input.
2	COMP	Output of the error amplifier. A compensation network is placed between this pin and INV (pin #1) to achieve stability of the voltage control loop and ensure high power factor and low THD.
3	MULT	Main input to the multiplier. This pin is connected to the rectified mains voltage via a resistor divider and provides the sinusoidal reference to the current loop.
4	CS	Input to the PWM comparator. The current flowing in the MOSFET is sensed through a resistor, the resulting voltage together with line compensation voltage is applied to this pin and compared with an internal sinusoidal-shaped reference, generated by the multiplier, to determine MOSFET's turn-off.
5	ZCD	Boost inductor's demagnetization sensing input for transition-mode operation. A negative-going edge triggers MOSFET's turn-on.
6	GND	Ground.
7	GD	Gate drive output. The totem pole output stage is able to drive power MOSFET's and IGBT's. The high-level voltage of this pin is clamped at about 14V to avoid excessive gate voltages in case the pin is supplied with a high Vcc.
8	V _{CC}	Supply Voltage of both the signal part of the IC and the gate driver.

Table1

ORDERING INFORMATION

FT821①②

DESIGNATOR	SYMBOL	DUAL OUTPUT VOLTAGE
①	A	NO
	B	YES
②	SYMBOL	PACKAGE TYPE
	a	SOP-8
	b	DIP-8

Table 2

MARKING RULE

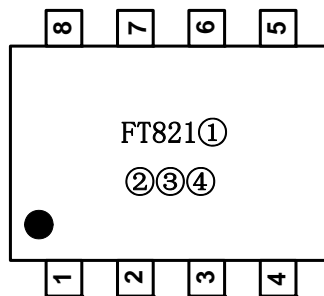
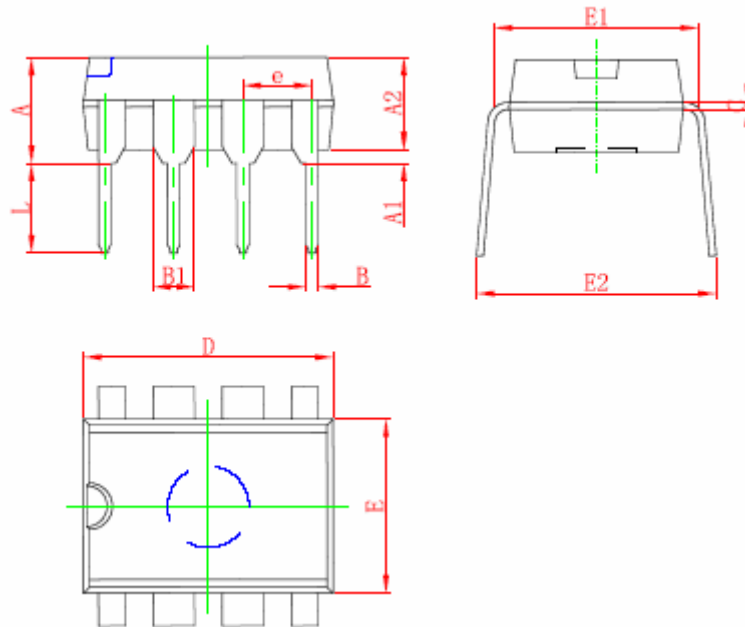


Figure 3

- ① Represent with or without dual output voltage function
- ②③④ for internal reference

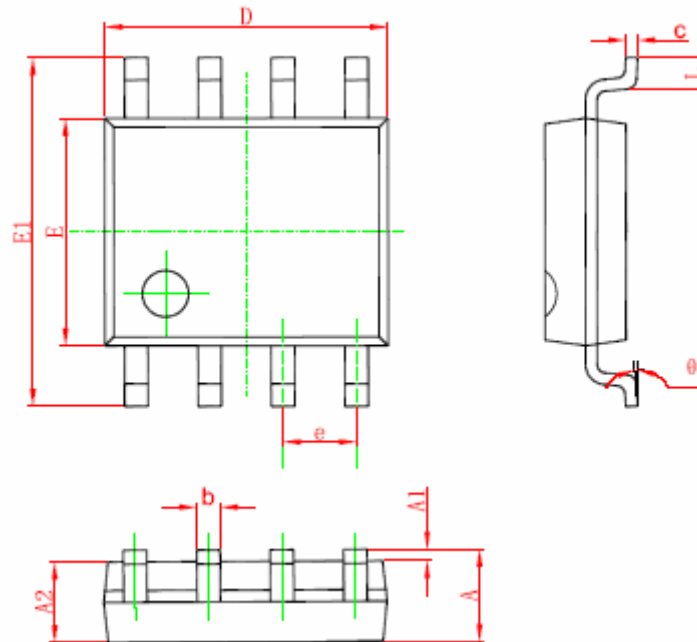
PAKAGING INFORMATION

DIP – 8 Package



Symbol	Dimensions in Millimeters		Dimensions in Inches	
	Min	Max	Min	Max
A	3.710	4.310	0.146	0.170
A1	0.510		0.020	
A2	3.200	3.600	0.126	0.142
B	0.380	0.570	0.015	0.022
B1	1.524 (BSC)		0.060 (BSC)	
C	0.204	0.360	0.008	0.014
D	9.000	9.400	0.354	0.370
E	6.200	6.600	0.244	0.260
E1	7.320	7.920	0.288	0.312
e	2.540 (BSC)		0.100 (BSC)	
L	3.000	3.600	0.118	0.142
E2	8.400	9.000	0.331	0.354

SOP – 8 Package



Symbol	Dimensions in Millimeters		Dimensions in Inches	
	Min	Max	Min	Max
A	1.350	1.750	0.053	0.069
A1	0.100	0.250	0.004	0.010
A2	1.350	1.550	0.053	0.061
b	0.330	0.510	0.013	0.020
c	0.170	0.250	0.006	0.010
D	4.700	5.100	0.185	0.200
E	3.800	4.000	0.150	0.157
E1	5.800	6.200	0.228	0.244
e	1.270 (BSC)		0.050 (BSC)	
L	0.400	1.270	0.016	0.050
theta	0°	8°	0°	8°