

阅读申明

- 1.本站收集的数据手册和产品资料都来自互联网，版权归原作者所有。如读者和版权方有任何异议请及时告之，我们将妥善解决。
- 2.本站提供的中文数据手册是英文数据手册的中文翻译，其目的是协助用户阅读，该译文无法自动跟随原稿更新，同时也可能存在翻译上的不当。建议读者以英文原稿为参考以便获得更精准的信息。
- 3.本站提供的产品资料，来自厂商的技术支持或者使用者的心得体会等，其内容可能存在描述上的差异，建议读者做出适当判断。
- 4.如需与我们联系，请发邮件到marketing@iczoom.com，主题请标有“数据手册”字样。

Read Statement

1. The datasheets and other product information on the site are all from network reference or other public materials, and the copyright belongs to the original author and original published source. If readers and copyright owners have any objections, please contact us and we will deal with it in a timely manner.
2. The Chinese datasheets provided on the website is a Chinese translation of the English datasheets. Its purpose is for reader's learning exchange only and do not involve commercial purposes. The translation cannot be automatically updated with the original manuscript, and there may also be improper translations. Readers are advised to use the English manuscript as a reference for more accurate information.
3. All product information provided on the website refer to solutions from manufacturers' technical support or users the contents may have differences in description, and readers are advised to take the original article as the standard.
4. If you have any questions, please contact us at marketing@iczoom.com and mark the subject with "Datasheets" .

8-Bit Latched, DMOS Power Driver

Discontinued Product

These parts are no longer in production. The device should not be purchased for new design applications. Samples are no longer available.

Date of status change: April 28, 2007

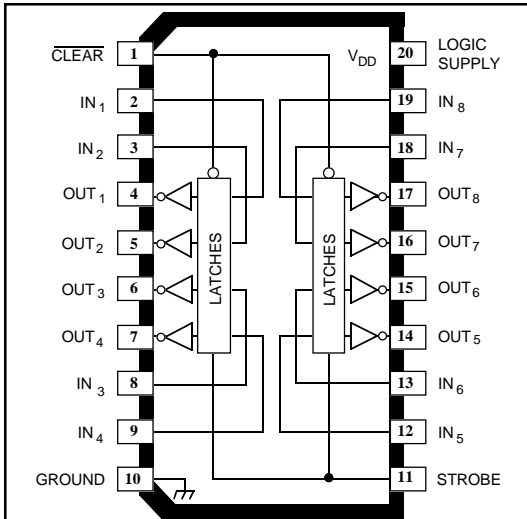
Recommended Substitutions:

NOTE: For detailed information on purchasing options, contact your local Allegro field applications engineer or sales representative.

Allegro MicroSystems, Inc. reserves the right to make, from time to time, revisions to the anticipated product life cycle plan for a product to accommodate changes in production capabilities, alternative product availabilities, or market demand. The information included herein is believed to be accurate and reliable. However, Allegro MicroSystems, Inc. assumes no responsibility for its use; nor for any infringements of patents or other rights of third parties which may result from its use.

6273

8-BIT LATCHED DMOS POWER DRIVER



Dwg. PP-015-2A

Note that the A6273KA (DIP) and the A6273KLW (SOIC) are electrically identical and share a common terminal number assignment.

ABSOLUTE MAXIMUM RATINGS at $T_A = 25^\circ\text{C}$

Output Voltage, V_O	50 V
Output Drain Current,	
Continuous, I_O	250 mA*
Peak, I_{OM}	750 mA*†
Peak, I_{OM}	2.0 A†
Single-Pulse Avalanche Energy,	
E_{AS}	75 mJ
Logic Supply Voltage, V_{DD}	7.0 V
Input Voltage Range,	
V_I	-0.3 V to +7.0 V
Package Power Dissipation,	
P_D	See Graph
Operating Temperature Range,	
T_A	-40°C to +125°C
Storage Temperature Range,	
T_S	-55°C to +150°C

* Each output, all outputs on.

† Pulse duration $\leq 100 \mu\text{s}$, duty cycle $\leq 2\%$.

Caution: These CMOS devices have input static protection (Class 3) but are still susceptible to damage if exposed to extremely high static electrical charges.

The A6273KA and A6273KLW combine eight (positive-edge-triggered D-type) data latches and DMOS outputs for systems requiring relatively high load power. Driver applications include relays, solenoids, and other medium-current or high-voltage peripheral power loads. The CMOS inputs and latches allow direct interfacing with microprocessor-based systems. Use with TTL may require appropriate pull-up resistors to ensure an input logic high.

The DMOS output inverts the DATA input. All of the output drivers are disabled (the DMOS sink drivers turned OFF) with the CLEAR input low. The A6273KA/KLW DMOS open-drain outputs are capable of sinking up to 750 mA.

The A6273KA is furnished in a 20-pin dual in-line plastic package. The A6273KLW is furnished in a 20-lead wide-body, small-outline plastic package (SOIC) with gull-wing leads for surface-mount applications. Copper lead frames, reduced supply current requirements, and low on-state resistance allow both devices to sink 150 mA from all outputs continuously, to ambient temperatures over 85°C.

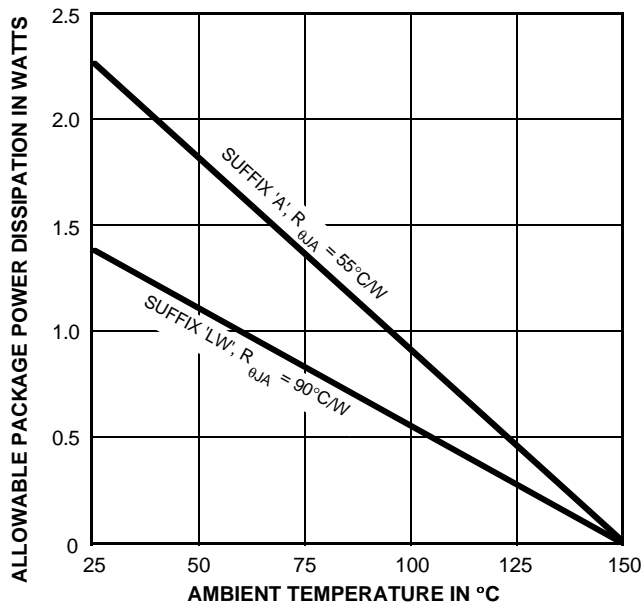
FEATURES

- 50 V Minimum Output Clamp Voltage
- 250 mA Output Current (all outputs simultaneously)
- 1.3 Ω Typical $r_{DS(on)}$
- Low Power Consumption
- Replacements for TPIC6273N and TPIC6273DW

Always order by complete part number:

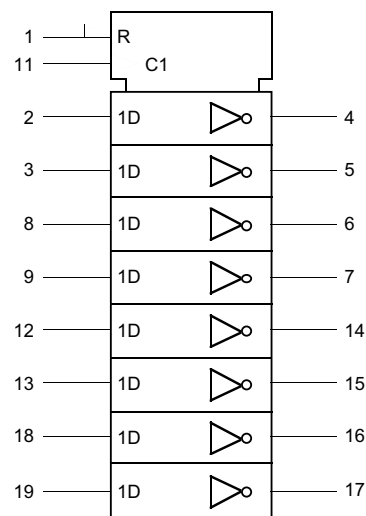
Part Number	Package	$R_{\theta JA}$	$R_{\theta JC}$
A6273KA	20-pin DIP	55°C/W	25°C/W
A6273KLW	20-lead SOIC	70°C/W	17°C/W

6273 8-BIT LATCHED DMOS POWER DRIVER

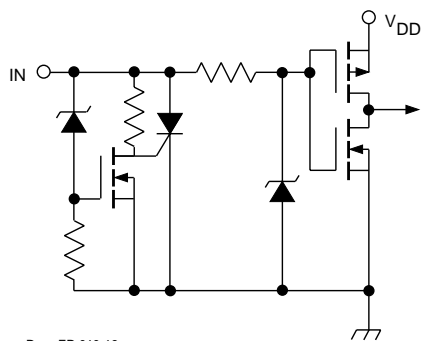


Dwg. GS-004B

LOGIC SYMBOL

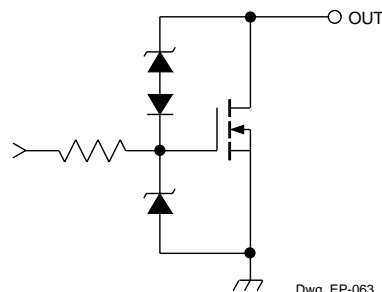


Dwg. FP-046-1A



Dwg. EP-010-16

LOGIC INPUTS



Dwg. EP-063

DMOS POWER DRIVER OUTPUT

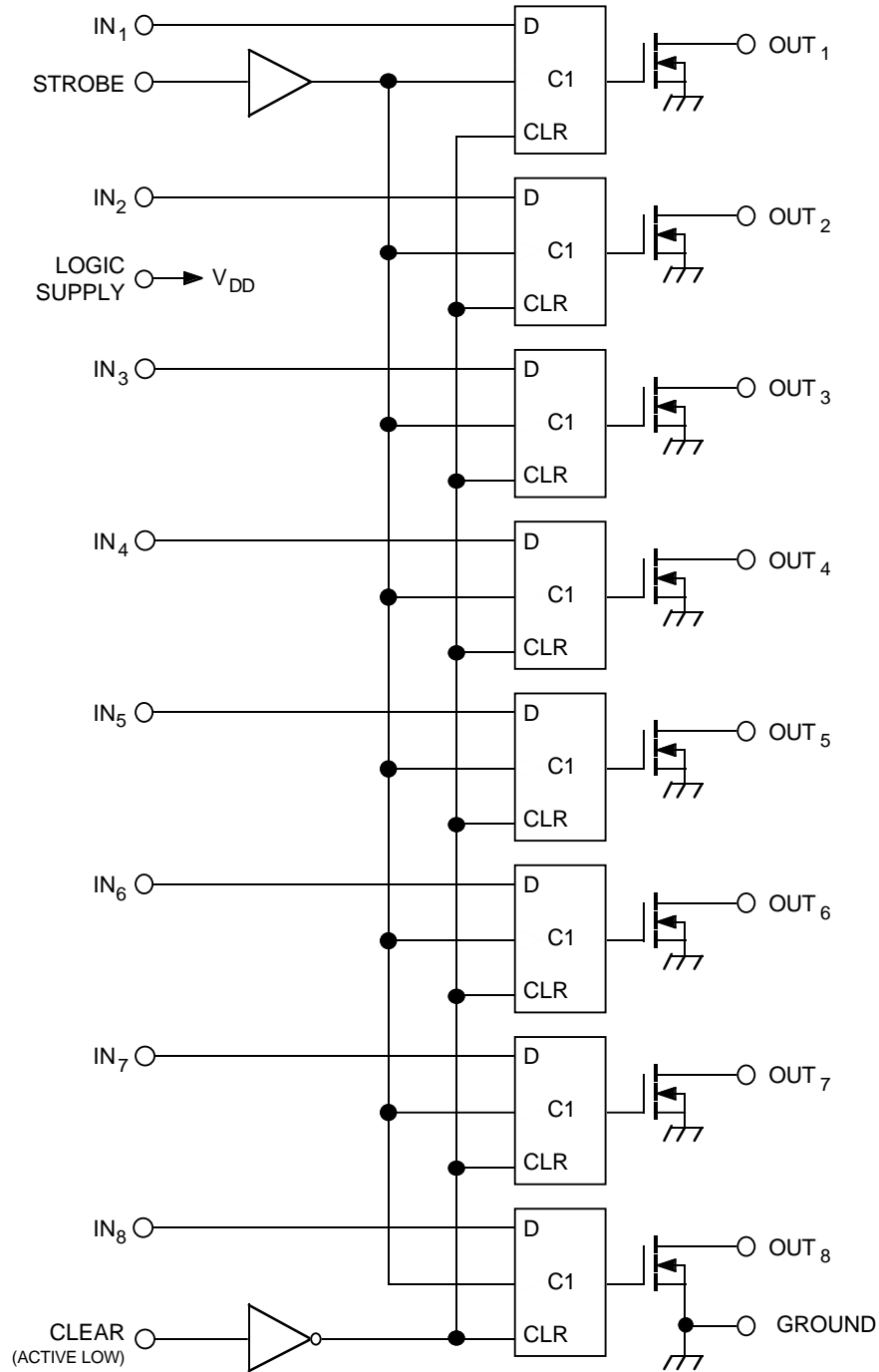
FUNCTION TABLE

$\overline{\text{CLEAR}}$	Inputs		OUT _x
	STROBE	IN _x	
L	X	X	H
H		H	L
H		L	H
H	L	X	R

L = Low Logic Level
H = High Logic Level
X = Irrelevant
R = Previous State

6273
8-BIT LATCHED
DMOS POWER DRIVER

FUNCTIONAL BLOCK DIAGRAM



Dwg. FP-016-2

6273

8-BIT LATCHED

DMOS POWER DRIVER

RECOMMENDED OPERATING CONDITIONS

over operating temperature range

Logic Supply Voltage Range, V_{DD} 4.5 V to 5.5 V

High-Level Input Voltage, V_{IH} $\geq 0.85V_{DD}$

Low-level input voltage, V_{IL} $\leq 0.15V_{DD}$

ELECTRICAL CHARACTERISTICS at $T_A = +25^\circ\text{C}$, $V_{DD} = 5\text{ V}$, $t_{ir} = t_{if} \leq 10\text{ ns}$ (unless otherwise specified).

Characteristic	Symbol	Test Conditions	Limits			Units
			Min.	Typ.	Max.	
Logic Supply Voltage	V_{DD}	Operating	4.5	5.0	5.5	V
Output Breakdown Voltage	$V_{(BR)DSX}$	$I_O = 1\text{ mA}$	50	—	—	V
Off-State Output Current	I_{DSX}	$V_O = 40\text{ V}$	—	0.05	1.0	μA
		$V_O = 40\text{ V}$, $T_A = 125^\circ\text{C}$	—	0.15	5.0	μA
Static Drain-Source On-State Resistance	$r_{DS(on)}$	$I_O = 250\text{ mA}$, $V_{DD} = 4.5\text{ V}$	—	1.3	2.0	Ω
		$I_O = 250\text{ mA}$, $V_{DD} = 4.5\text{ V}$, $T_A = 125^\circ\text{C}$	—	2.0	3.2	Ω
		$I_O = 500\text{ mA}$, $V_{DD} = 4.5\text{ V}$ (see note)	—	1.3	2.0	Ω
Nominal Output Current	$I_{O(nom)}$	$V_{DS(on)} = 0.5\text{ V}$, $T_A = 85^\circ\text{C}$	—	250	—	mA
Logic Input Current	I_{IH}	$V_I = V_{DD} = 5.5\text{ V}$	—	—	1.0	μA
	I_{IL}	$V_I = 0$, $V_{DD} = 5.5\text{ V}$	—	—	-1.0	μA
Prop. Delay Time	t_{PLH}	$I_O = 250\text{ mA}$, $C_L = 30\text{ pF}$	—	625	—	ns
	t_{PHL}	$I_O = 250\text{ mA}$, $C_L = 30\text{ pF}$	—	150	—	ns
Output Rise Time	t_r	$I_O = 250\text{ mA}$, $C_L = 30\text{ pF}$	—	675	—	ns
Output Fall Time	t_f	$I_O = 250\text{ mA}$, $C_L = 30\text{ pF}$	—	400	—	ns
Supply Current	$I_{DD(off)}$	$V_{DD} = 5.5\text{ V}$, Outputs OFF	—	15	100	μA
	$I_{DD(on)}$	$V_{DD} = 5.5\text{ V}$, Outputs ON	—	150	300	μA

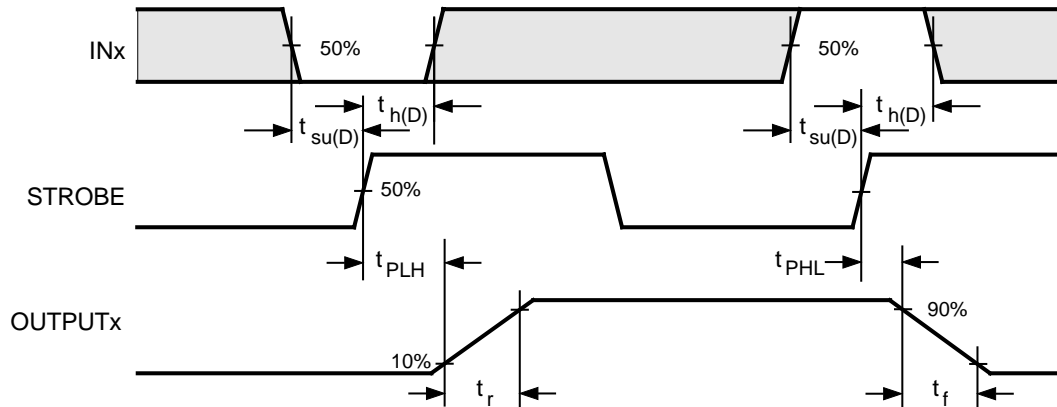
Typical Data is at $V_{DD} = 5\text{ V}$ and is for design information only.

NOTE — Pulse test, duration $\leq 100\text{ }\mu\text{s}$, duty cycle $\leq 2\%$.



6273 8-BIT LATCHED DMOS POWER DRIVER

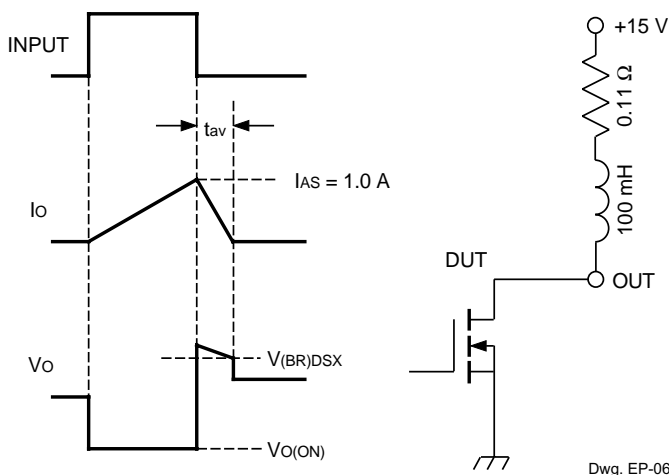
TIMING REQUIREMENTS



Dwg. WP-036-1

Input Active Time Before Strobe (Data Set-Up Time), $t_{su(D)}$	20 ns
Input Active Time After Strobe (Data Hold Time), $t_{h(D)}$	20 ns
Input Pulse Width, $t_w(D)$	40 ns
Input Logic High, V_{IH}	$\geq 0.85V_{DD}$
Input Logic Low, V_{IL}	$\leq 0.15V_{DD}$

TEST CIRCUIT



**Single-Pulse Avalanche Energy Test Circuit
and Waveforms**

Dwg. EP-066-1

$$E_{AS} = I_{AS} \times V_{(BR)DSX} \times t_{AV}/2$$

6273
8-BIT LATCHED
DMOS POWER DRIVER

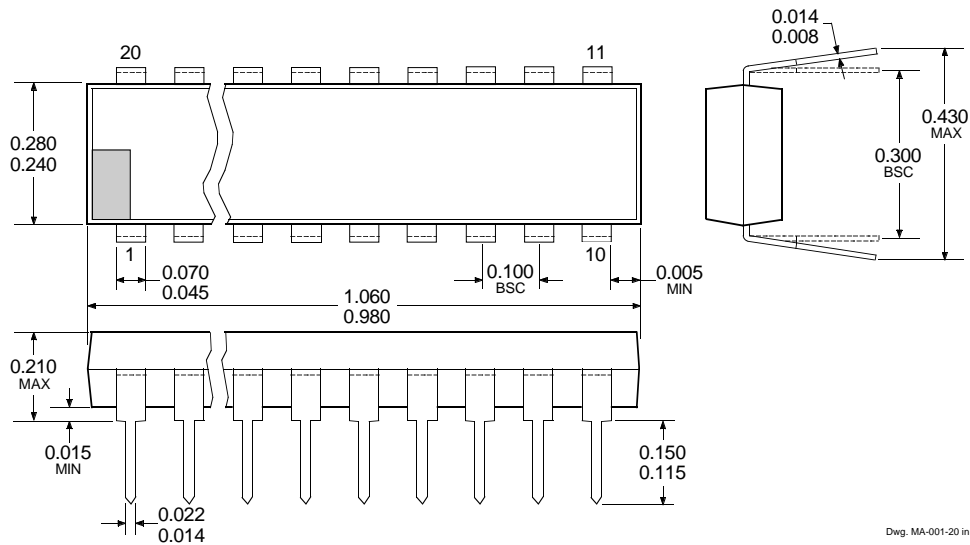
TERMINAL DESCRIPTIONS

Terminal No.	Terminal Name	Function
1	CLEAR	When (active) LOW, all latches are reset and all outputs go HIGH (turn OFF).
2	IN ₁	CMOS data input to a latch. When strobed, the output then inverts the data input (IN ₁ = HIGH, OUT ₁ = LOW).
3	IN ₂	CMOS data input to a latch. When strobed, the output then inverts the data input (IN ₂ = HIGH, OUT ₂ = LOW).
4	OUT ₁	Current-sinking, open-drain DMOS output.
5	OUT ₂	Current-sinking, open-drain DMOS output.
6	OUT ₃	Current-sinking, open-drain DMOS output.
7	OUT ₄	Current-sinking, open-drain DMOS output.
8	IN ₃	CMOS data input to a latch. When strobed, the output then inverts the data input (IN ₃ = HIGH, OUT ₃ = LOW).
9	IN ₄	CMOS data input to a latch. When strobed, the output then inverts the data input (IN ₄ = HIGH, OUT ₄ = LOW).
10	GROUND	Reference terminal for all voltage measurements.
11	STROBE	A CMOS dynamic input to all latches. Data on each IN _x terminal is loaded into its associated latch on a low-to-high STROBE transition.
12	IN ₅	CMOS data input to a latch. When strobed, the output then inverts the data input (IN ₅ = HIGH, OUT ₅ = LOW).
13	IN ₆	CMOS data input to a latch. When strobed, the output then inverts the data input (IN ₆ = HIGH, OUT ₆ = LOW).
14	OUT ₅	Current-sinking, open-drain DMOS output.
15	OUT ₆	Current-sinking, open-drain DMOS output.
16	OUT ₇	Current-sinking, open-drain DMOS output.
17	OUT ₈	Current-sinking, open-drain DMOS output.
18	IN ₇	CMOS data input to a latch. When strobed, the output then inverts the data input (IN ₇ = HIGH, OUT ₇ = LOW).
19	IN ₈	CMOS data input to a latch. When strobed, the output then inverts the data input (IN ₈ = HIGH, OUT ₈ = LOW).
20	LOGIC SUPPLY	(V _{DD}) The logic supply voltage (typically 5 V).

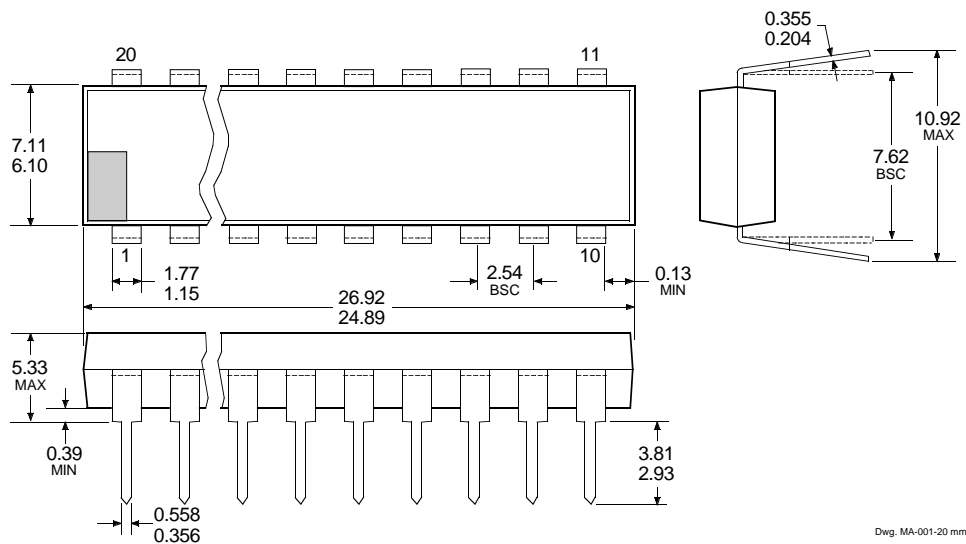


6273 8-BIT LATCHED DMOS POWER DRIVER

A6273KA Dimensions in Inches (controlling dimensions)



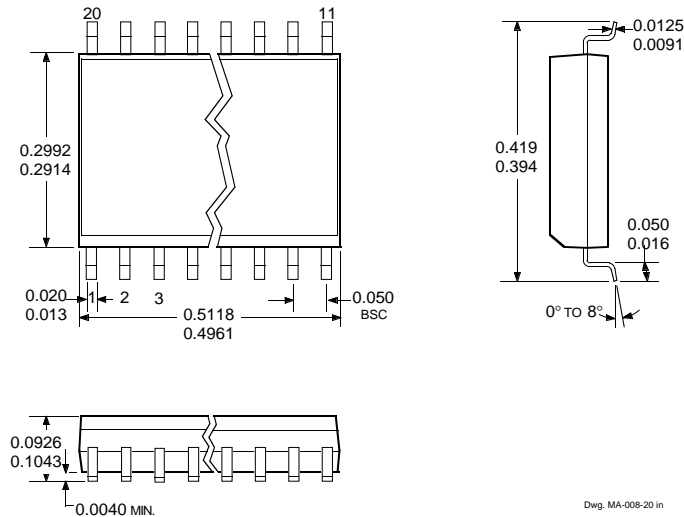
Dimensions in Millimeters (for reference only)



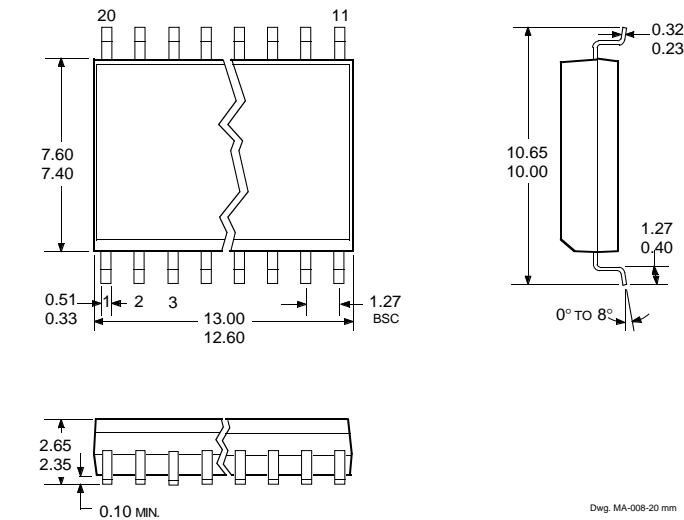
- NOTES: 1. Exact body and lead configuration at vendor's option within limits shown.
 2. Lead spacing tolerance is non-cumulative.
 3. Lead thickness is measured at seating plane or below.
 4. Supplied in standard sticks/tubes of 18 devices.

6273
8-BIT LATCHED
DMOS POWER DRIVER

A6273KLW
 Dimensions in Inches
 (for reference only)



Dimensions in Millimeters
 (controlling dimensions)



- NOTES: 1. Exact body and lead configuration at vendor's option within limits shown.
 2. Lead spacing tolerance is non-cumulative.
 3. Supplied in standard sticks/tubes of 37 devices or add 'TR' to part number for tape and reel.

6273
8-BIT LATCHED
DMOS POWER DRIVER

The products described here are manufactured under one or more U.S. patents or U.S. patents pending.

Allegro MicroSystems, Inc. reserves the right to make, from time to time, such departures from the detail specifications as may be required to permit improvements in the performance, reliability, or manufacturability of its products. Before placing an order, the user is cautioned to verify that the information being relied upon is current.

Allegro products are not authorized for use as critical components in life-support devices or systems without express written approval.

The information included herein is believed to be accurate and reliable. However, Allegro MicroSystems, Inc. assumes no responsibility for its use; nor for any infringement of patents or other rights of third parties which may result from its use.

6273
8-BIT LATCHED
DMOS POWER DRIVER

POWER
INTERFACE DRIVERS

Function	Output Ratings*		Part Number†
SERIAL-INPUT LATCHED DRIVERS			
8-Bit (saturated drivers)	-120 mA	50 V‡	5895
8-Bit	350 mA	50 V	5821
8-Bit	350 mA	80 V	5822
8-Bit	350 mA	50 V‡	5841
8-Bit	350 mA	80 V‡	5842
8-Bit (constant-current LED driver)	75 mA	17 V	6275
8-Bit (constant-current LED driver)	120 mA	24 V	6277
8-Bit (DMOS drivers)	250 mA	50 V	6595
8-Bit (DMOS drivers)	350 mA	50 V‡	6A595
8-Bit (DMOS drivers)	100 mA	50 V	6B595
10-Bit (active pull-downs)	-25 mA	60 V	5810-F and 6810
12-Bit (active pull-downs)	-25 mA	60 V	5811
16-Bit (constant-current LED driver)	75 mA	17 V	6276
20-Bit (active pull-downs)	-25 mA	60 V	5812-F and 6812
32-Bit (active pull-downs)	-25 mA	60 V	5818-F and 6818
32-Bit	100 mA	30 V	5833
32-Bit (saturated drivers)	100 mA	40 V	5832
PARALLEL-INPUT LATCHED DRIVERS			
4-Bit	350 mA	50 V‡	5800
8-Bit	-25 mA	60 V	5815
8-Bit	350 mA	50 V‡	5801
8-Bit (DMOS drivers)	100 mA	50 V	6B273
8-Bit (DMOS drivers)	250 mA	50 V	6273
SPECIAL-PURPOSE DEVICES			
Unipolar Stepper Motor Translator/Driver	1.25 A	50 V‡	5804
Addressable 8-Bit Decoder/DMOS Driver	250 mA	50 V	6259
Addressable 8-Bit Decoder/DMOS Driver	350 mA	50 V‡	6A259
Addressable 8-Bit Decoder/DMOS Driver	100 mA	50 V	6B259
Addressable 28-Line Decoder/Driver	450 mA	30 V	6817

* Current is maximum specified test condition, voltage is maximum rating. See specification for sustaining voltage limits. Negative current is defined as coming out of (sourcing) the output.

† Complete part number includes additional characters to indicate operating temperature range and package style.

‡ Internal transient-suppression diodes included for inductive-load protection.

