

阅读申明

- 1.本站收集的数据手册和产品资料都来自互联网，版权归原作者所有。如读者和版权方有任何异议请及时告之，我们将妥善解决。
- 2.本站提供的中文数据手册是英文数据手册的中文翻译，其目的是协助用户阅读，该译文无法自动跟随原稿更新，同时也可能存在翻译上的不当。建议读者以英文原稿为参考以便获得更精准的信息。
- 3.本站提供的产品资料，来自厂商的技术支持或者使用者的心得体会等，其内容可能存在描述上的差异，建议读者做出适当判断。
- 4.如需与我们联系，请发邮件到marketing@iczoom.com，主题请标有“数据手册”字样。

Read Statement

1. The datasheets and other product information on the site are all from network reference or other public materials, and the copyright belongs to the original author and original published source. If readers and copyright owners have any objections, please contact us and we will deal with it in a timely manner.
2. The Chinese datasheets provided on the website is a Chinese translation of the English datasheets. Its purpose is for reader's learning exchange only and do not involve commercial purposes. The translation cannot be automatically updated with the original manuscript, and there may also be improper translations. Readers are advised to use the English manuscript as a reference for more accurate information.
3. All product information provided on the website refer to solutions from manufacturers' technical support or users the contents may have differences in description, and readers are advised to take the original article as the standard.
4. If you have any questions, please contact us at marketing@iczoom.com and mark the subject with "Datasheets" .

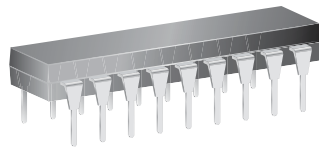
8-Channel Source Drivers

Features and Benefits

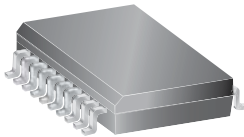
- TTL, DTL, PMOS, or CMOS compatible inputs
- 500 mA output source current capability
- Transient-protected outputs
- Output breakdown voltage to 50 V
- DIP or SOIC packaging

Packages:

Not to scale



18-pin DIP (Package A)



20-pin SOICW (package LW)
(drop-in replacement for discontinued 18-pin SOIC variants)

Description

Recommended for high-side switching applications that benefit from separate logic and load grounds, these devices encompass load supply voltages to 50 V and output currents to -500 mA. These 8-channel source drivers are useful for interfacing between low-level logic and high-current loads. Typical loads include relays, solenoids, lamps, stepper and/or servo motors, print hammers, and LEDs.

All devices may be used with 5 V logic systems—TTL, Schottky TTL, DTL, and 5 V CMOS. The device packages offered are electrically interchangeable, and will withstand a maximum output off voltage of 50 V, and operate to a minimum of 5 V. All devices in this series integrate input current limiting resistors and output transient suppression diodes, and are activated by an active high input.

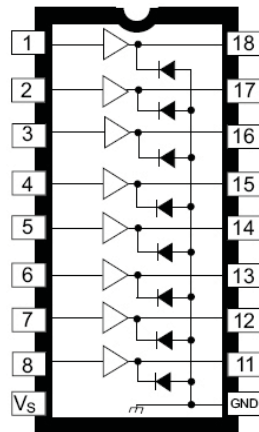
The suffix “A” indicates an 18-lead plastic dual in-line package with copper lead frame for optimum power dissipation. Under normal operating conditions, these devices will sustain 120 mA continuously for each of the eight outputs at an ambient temperature of +50°C and a supply of 15 V.

The suffix “LW” package is provided in a 20-pin wide-body SOIC package with improved thermal characteristics compared to the 18-pin SOIC version it replaces (100% pin-compatible electrically). The A2982ELW driver is available for operation over an extended temperature range, down to -40°C.

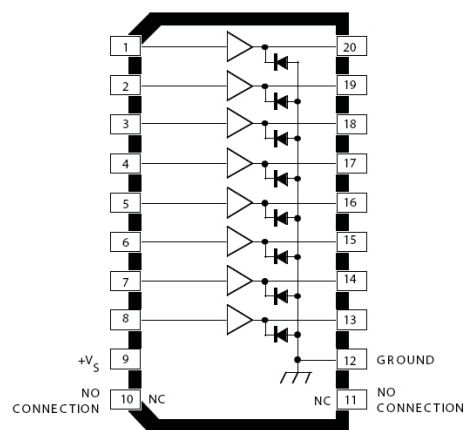
These packages are lead (Pb) free, with 100% matte-tin leadframe plating.

Simplified Block Diagrams

18-pin DIP (A Package)



20-pin SOICW (LW Package)



(NC pins, 10 and 11, not present on discontinued 18-pin LW package)

Selection Guide

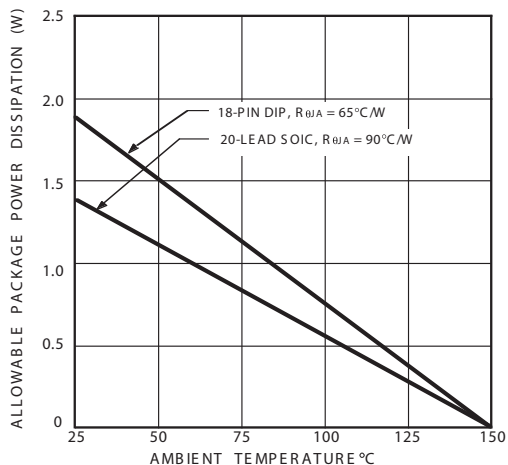
Part Number	Package	Packing	Ambient Temperature T_A (°C)
A2982ELWTR-T ¹	20-pin SOICW	1000 per reel	-40 to 85
A2982SLWTR-T	20-pin SOICW	1000 per reel	-20 to 85
UDN2981A-T ²	18-pin DIP	21 per tube	
UDN2982A-T ²	18-pin DIP	21 per tube	

¹Variant is in production but has been determined to be LAST TIME BUY. This classification indicates that the variant is obsolete and notice has been given. Sale of the variant is currently restricted to existing customer applications. The variant should not be purchased for new design applications because of obsolescence in the near future. Samples are no longer available. Status date change November 2, 2009. Deadline for receipt of LAST TIME BUY orders is April 30, 2010.

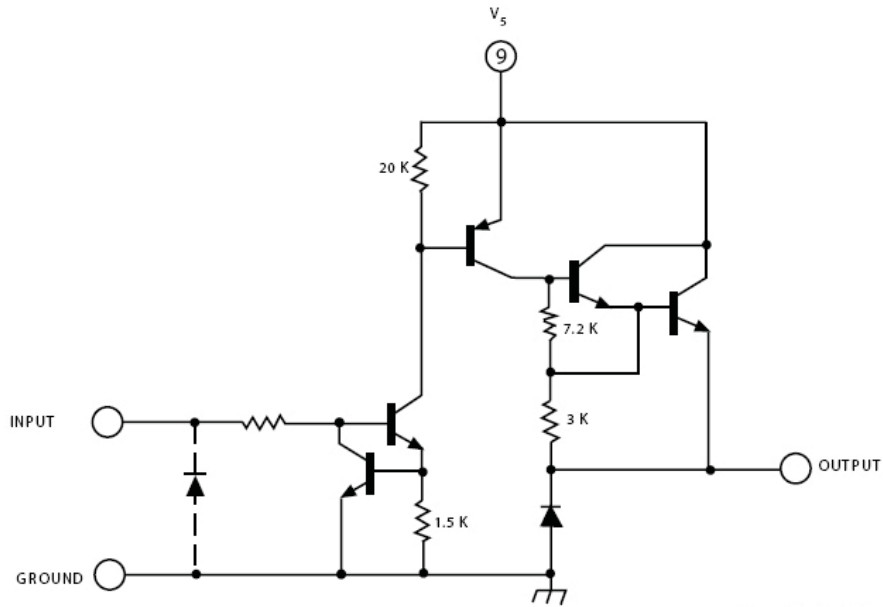
²Variant is in production but has been determined to be LAST TIME BUY. This classification indicates that the variant is obsolete and notice has been given. Sale of the variant is currently restricted to existing customer applications. The variant should not be purchased for new design applications because of obsolescence in the near future. Samples are no longer available. Status date change January 30, 2012. Deadline for receipt of LAST TIME BUY orders is April 27, 2012.

Absolute Maximum Ratings

Characteristic	Symbol	Notes	Rating	Units
Output Voltage Range	V_{CE}		5 to 50	V
Input Voltage	V_{IN}	UDN2981	20	V
		A2982, UDN2982	20	V
Output Current	I_{OUT}		-500	mA
Package Power Dissipation	P_D	See graph	-	-
Operating Ambient Temperature	T_A	Range E	-40 to 85	°C
		Range S	-20 to 85	°C
Maximum Junction Temperature	$T_{J(max)}$		150	°C
Storage Temperature	T_{stg}		-55 to 150	°C



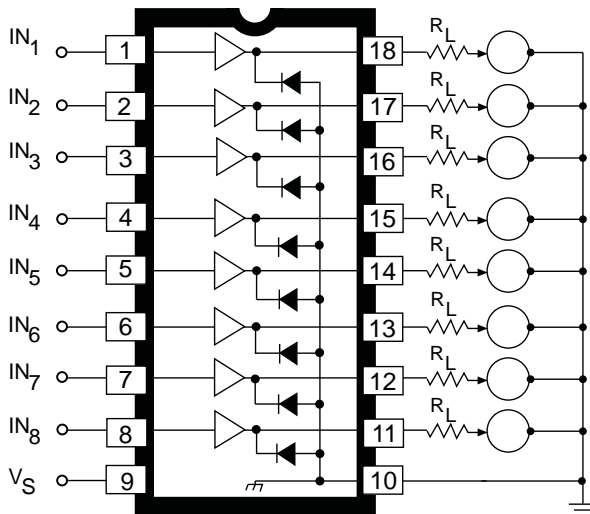
One of Eight Drivers



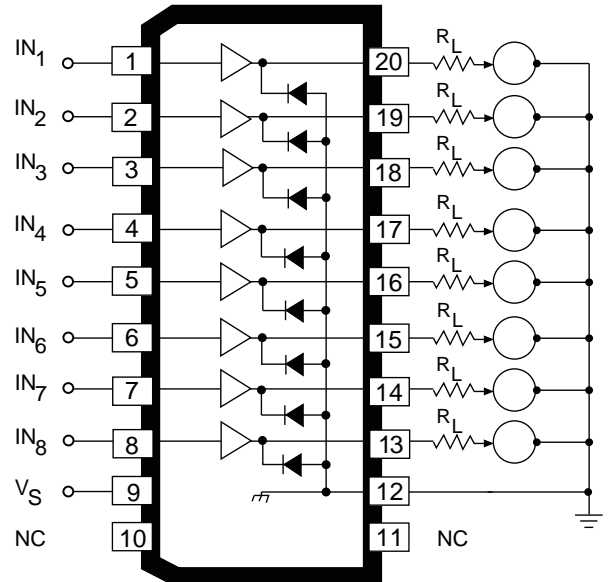
Dwg. No. A-10,242USA

Typical electroensitive
printer application

18-pin DIP (A Package)



20-pin SOICW (LW Package)



Pins 10 and 11 can float; other pins
match discontinued 18-pin SOIC: 1 to 9
same, pins 12 to 20 match pins 10 to 18

ELECTRICAL CHARACTERISTICS^{1,2} at $T_A = +25^\circ\text{C}$ (unless otherwise specified).

Characteristic	Symbol	Variant	Test Conditions	Test Fig.	Min.	Typ.	Max.	Units
Output Leakage Current ³	I_{CEX}	All	$V_{IN} = 0.4\text{ V}, V_S = 50\text{ V}$	1	—	—	20	μA
Output Sustaining Voltage	$V_{CE(SUS)}$	All	$I_{OUT} = -45\text{ mA}$	—	35	—	—	V
Collector-Emitter Saturation Voltage	$V_{CE(SAT)}$	All	$V_{IN} = 2.4\text{ V}, I_{OUT} = -100\text{ mA}$	2	—	1.6	1.8	V
			$V_{IN} = 2.4\text{ V}, I_{OUT} = -225\text{ mA}$	2	—	1.7	1.9	V
			$V_{IN} = 2.4\text{ V}, I_{OUT} = -350\text{ mA}$	2	—	1.8	2.0	V
Input Current	$I_{IN(ON)}$	2981	$V_{IN} = 2.4\text{ V}$	3	—	140	200	μA
			$V_{IN} = 3.85\text{ V}$	3	—	310	450	μA
		2982	$V_{IN} = 2.4\text{ V}$	3	—	140	200	μA
			$V_{IN} = 12\text{ V}$	3	—	1.25	1.93	mA
Output Source Current (Outputs Open)	I_{OUT}	2981	$V_{IN} = 2.4\text{ V}, V_{CE} = 2.0\text{ V}$	2	-350	—	—	mA
		2982	$V_{IN} = 2.4\text{ V}, V_{CE} = 2.0\text{ V}$	2	-350	—	—	mA
Supply Current Leakage Current	I_S	All	$V_{IN} = 2.4\text{ V}^*, V_S = 50\text{ V}$	4	—	—	10	mA
Clamp Diode Current	I_R	All	$V_R = 50\text{ V}, V_{IN} = 0.4\text{ V}^*$	5	—	—	50	μA
Clamp Diode Forward Voltage	V_F	All	$I_F = 350\text{ mA}$	6	—	1.5	2.0	V
Turn-On Delay	t_{ON}	All	$0.5 E_{IN}$ to $0.5 E_{OUT}, R_L = 100\Omega, V_S = 35\text{ V}$	—	—	0.3	2.0	μs
Turn-Off Delay ⁴	t_{OFF}	All	$0.5 E_{IN}$ to $0.5 E_{OUT}, R_L = 100\Omega, V_S = 35\text{ V},$ See Note	—	—	2.0	10	μs

¹Negative current is defined as coming out of (sourcing) the specified device terminal.

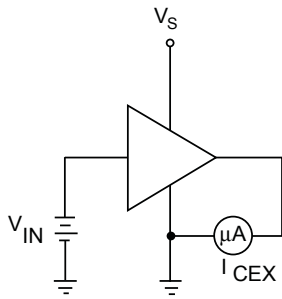
²All unused inputs must be connected to ground. Pull-down resistors (approximately 10 k Ω) are recommended for inputs that are allowed to float while power is being applied to V_S .

³All inputs simultaneously.

⁴Turn-off delay is influenced by load conditions. Systems applications well below the specified output loading may require timing considerations for some designs, i.e., multiplexed displays or when used in combination with sink drivers in a totem pole configuration.

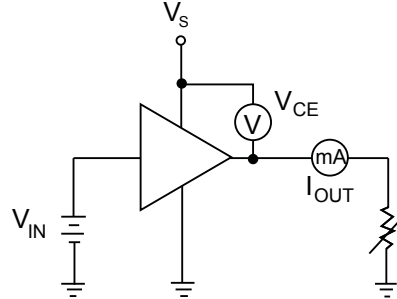
TEST FIGURES

Figure 1



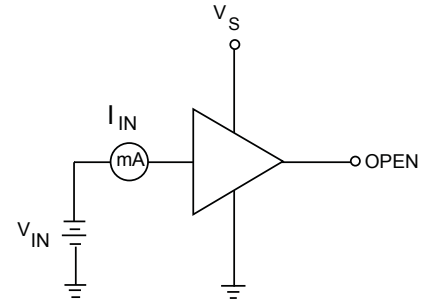
Dwg. No. A-11,083

Figure 2



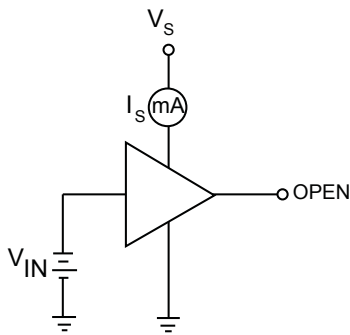
Dwg. No. A-11,084

Figure 3



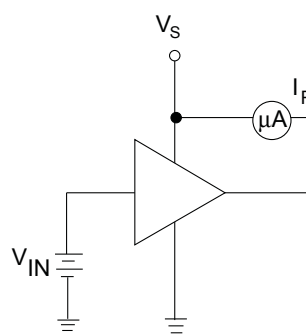
Dwg. No. A-11,085

Figure 4



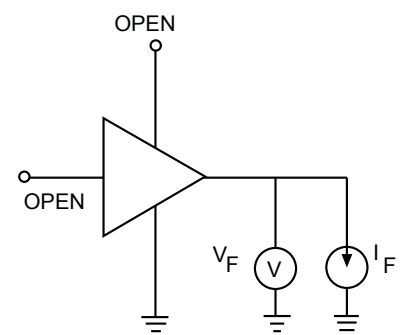
Dwg. No. A-11,086

Figure 5



Dwg. No. A-11,087

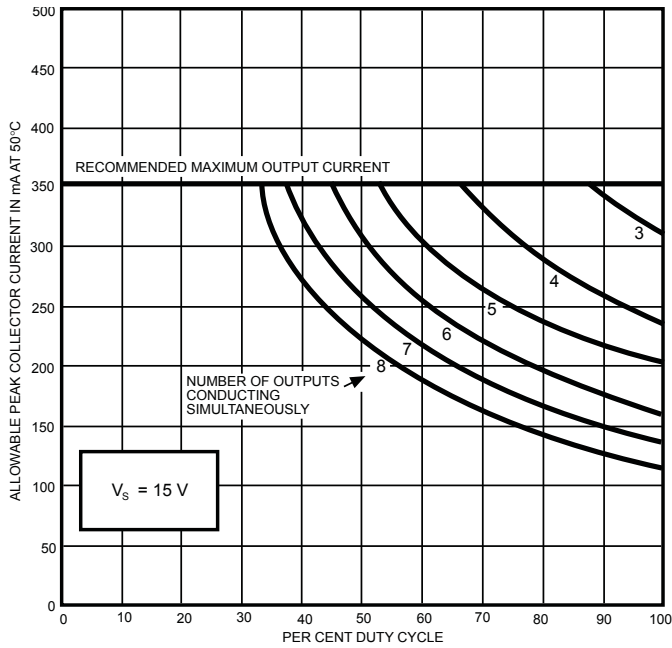
Figure 6



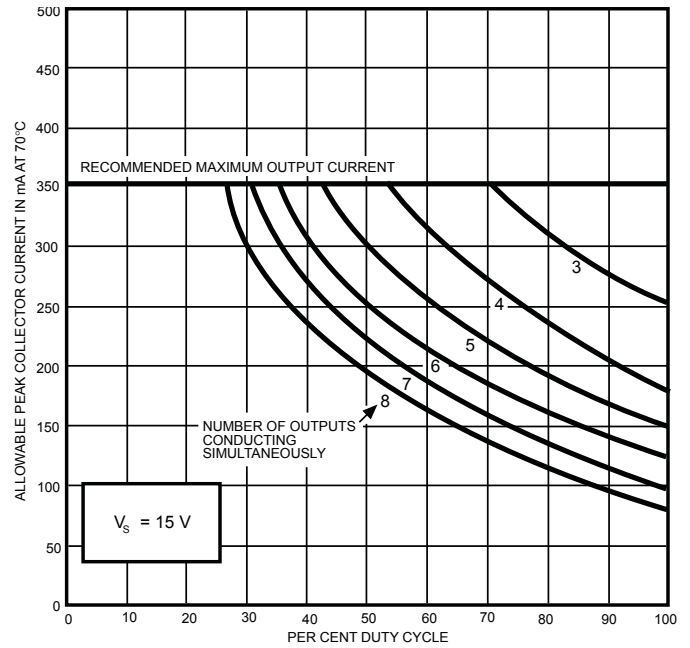
Dwg. No. A-11,088

Allowable peak collector current
as a function of duty cycle

UDN2981A and UDN2982A

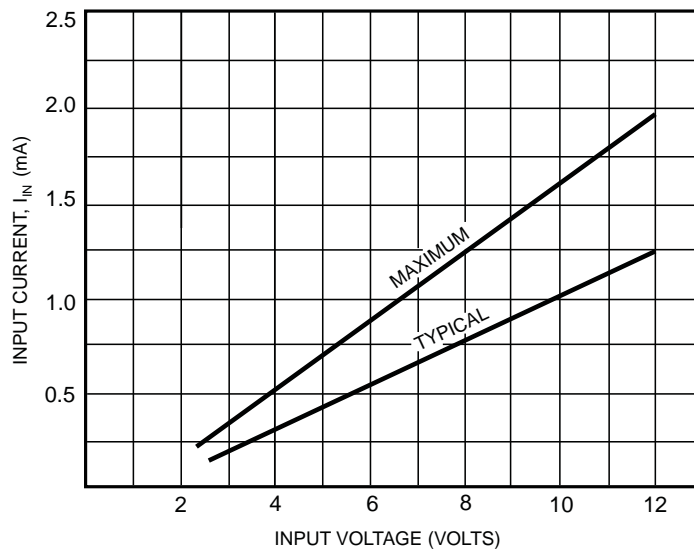


Dwg. No. A-11,107B



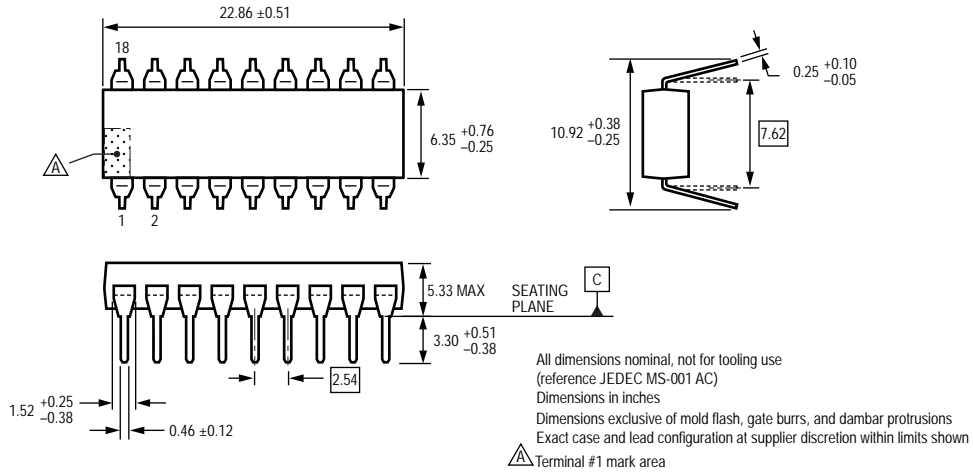
Dwg. No. A-11,108B

Input current as a function
of input voltage

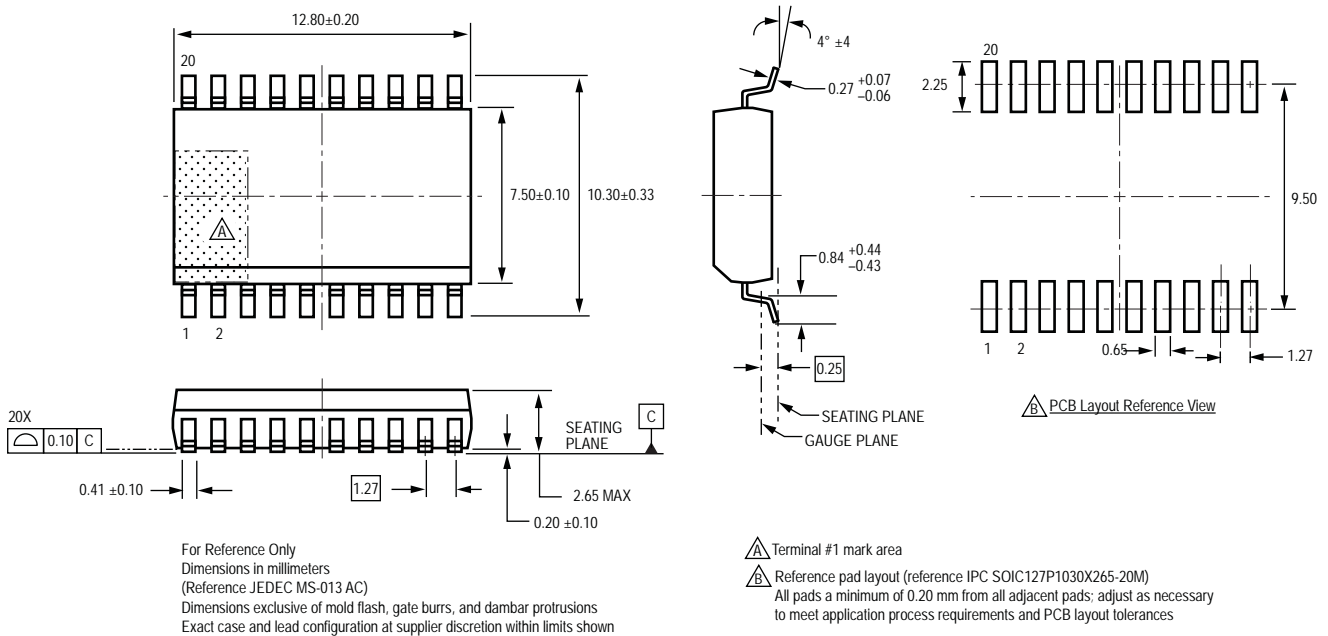


Dwg. No. A-11,115B

A Package, 18-Pin DIP



LW Package, 20-Pin SOICW



Revision History

Revision	Revision Date	Description of Revision
Rev. T	Januray 30, 2012	Update product availability

Copyright ©1977-2011, Allegro MicroSystems, Inc.

Allegro MicroSystems, Inc. reserves the right to make, from time to time, such departures from the detail specifications as may be required to permit improvements in the performance, reliability, or manufacturability of its products. Before placing an order, the user is cautioned to verify that the information being relied upon is current.

Allegro's products are not to be used in life support devices or systems, if a failure of an Allegro product can reasonably be expected to cause the failure of that life support device or system, or to affect the safety or effectiveness of that device or system.

The information included herein is believed to be accurate and reliable. However, Allegro MicroSystems, Inc. assumes no responsibility for its use; nor for any infringement of patents or other rights of third parties which may result from its use.

For the latest version of this document, visit our website:

www.allegromicro.com

