

阅读申明

- 1.本站收集的数据手册和产品资料都来自互联网，版权归原作者所有。如读者和版权方有任何异议请及时告之，我们将妥善解决。
- 2.本站提供的中文数据手册是英文数据手册的中文翻译，其目的是协助用户阅读，该译文无法自动跟随原稿更新，同时也可能存在翻译上的不当。建议读者以英文原稿为参考以便获得更精准的信息。
- 3.本站提供的产品资料，来自厂商的技术支持或者使用者的心得体会等，其内容可能存在描述上的差异，建议读者做出适当判断。
- 4.如需与我们联系，请发邮件到marketing@iczoom.com，主题请标有“数据手册”字样。

Read Statement

1. The datasheets and other product information on the site are all from network reference or other public materials, and the copyright belongs to the original author and original published source. If readers and copyright owners have any objections, please contact us and we will deal with it in a timely manner.
2. The Chinese datasheets provided on the website is a Chinese translation of the English datasheets. Its purpose is for reader's learning exchange only and do not involve commercial purposes. The translation cannot be automatically updated with the original manuscript, and there may also be improper translations. Readers are advised to use the English manuscript as a reference for more accurate information.
3. All product information provided on the website refer to solutions from manufacturers' technical support or users the contents may have differences in description, and readers are advised to take the original article as the standard.
4. If you have any questions, please contact us at marketing@iczoom.com and mark the subject with "Datasheets" .



VN820 / VN820SO VN820SP / VN820-B5 / VN820PT

HIGH SIDE DRIVER

| TYPE | $R_{DS(on)}$ | I_{OUT} | V_{CC} |
|----------|--------------|-----------|----------|
| VN820 | 40 mΩ | 9 A | 36 V |
| VN820SP | | | |
| VN820-B5 | | | |
| VN820SO | | | |
| VN820PT | | | |

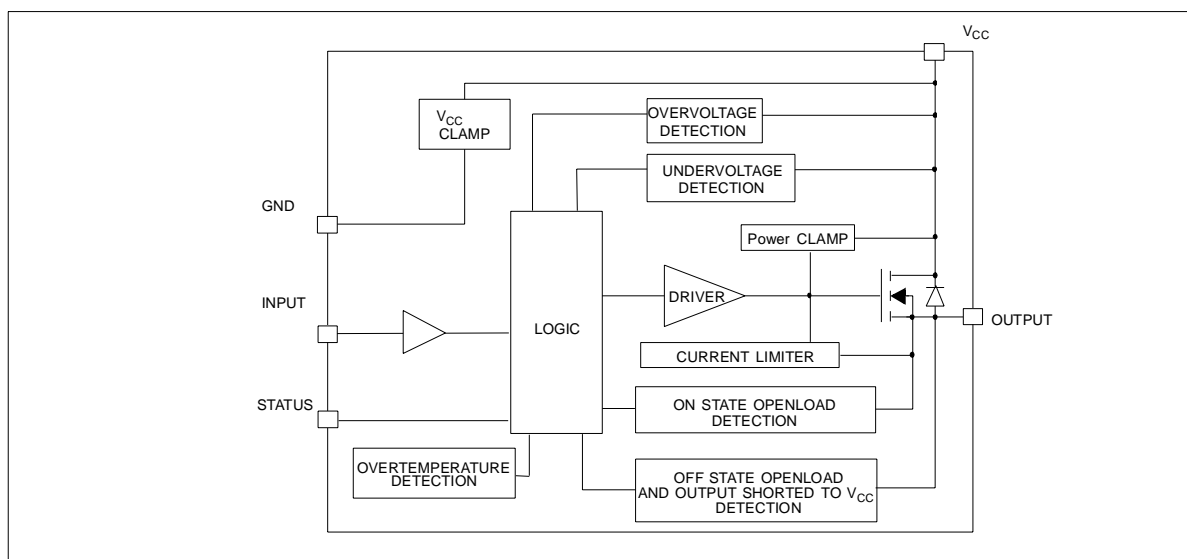
- CMOS COMPATIBLE INPUT
- ON STATE OPEN LOAD DETECTION
- OFF STATE OPEN LOAD DETECTION
- SHORTED LOAD PROTECTION
- UNDERVOLTAGE AND OVERVOLTAGE SHUTDOWN
- PROTECTION AGAINST LOSS OF GROUND
- VERY LOW STAND-BY CURRENT
- REVERSE BATTERY PROTECTION (*)

DESCRIPTION

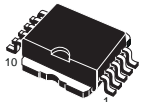
The VN820, VN820SP, VN820-B5, VN820SO, VN820PT are monolithic devices made by using STMicroelectronics VIPower M0-3 Technology, intended for driving any kind of load with one side connected to ground.

Active V_{CC} pin voltage clamp protects the device against low energy spikes (see ISO7637 transient

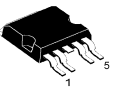
BLOCK DIAGRAM



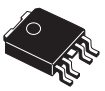
(*) See application schematic at page 9
June 2003



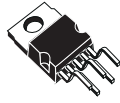
PowerSO-10™



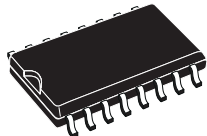
P²PAK



PPAK



PENTAWATT



SO-16L

| ORDER CODES | | |
|--------------------|----------|--------------|
| PACKAGE | TUBE | T&R |
| PENTAWATT | VN820 | - |
| PowerSO-10™ | VN820SP | VN820SP13TR |
| P ² PAK | VN820-B5 | VN820-B513TR |
| SO-16L | VN820SO | VN820SO13TR |
| PPAK | VN820PT | VN820PT13TR |

compatibility table). Active current limitation combined with thermal shutdown and automatic restart protect the device against overload.

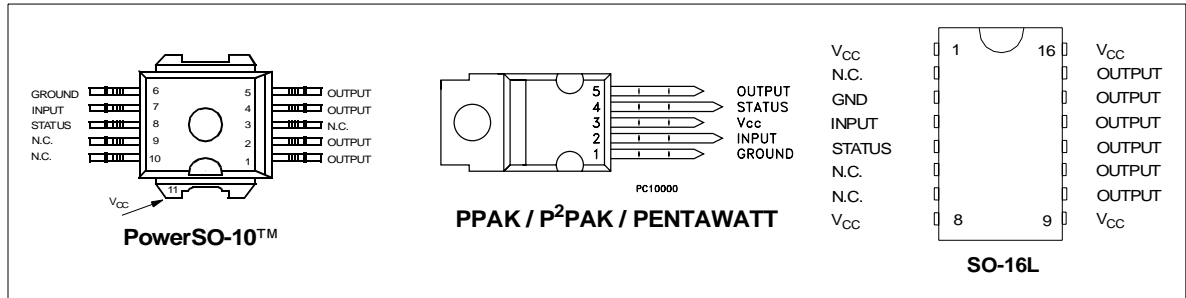
The device detects open load condition both is on and off state. Output shorted to V_{CC} is detected in the off state. Device automatically turns off in case of ground pin disconnection.

VN820 / VN820SO / VN820SP / VN820-B5 / VN820PT

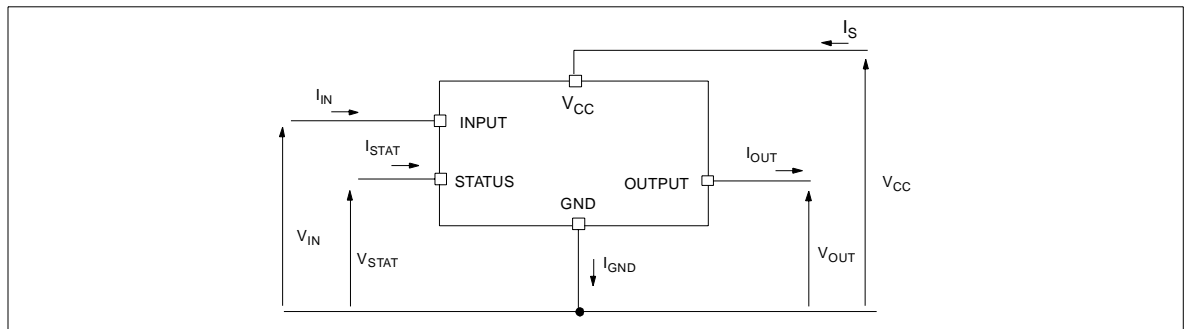
ABSOLUTE MAXIMUM RATING

| Symbol | Parameter | Value | | | | | Unit |
|--------------------|-----------------------------------------------------------------------------------------------------------------------------------|--------------------|-----------|--------------------|--------|------|------|
| | | PowerSO-10™ | PENTAWATT | P ² PAK | SO-16L | PPAK | |
| V _{CC} | DC Supply Voltage | 41 | | | | | V |
| - V _{CC} | Reverse DC Supply Voltage | - 0.3 | | | | | V |
| - I _{GND} | DC Reverse Ground Pin Current | - 200 | | | | | mA |
| I _{OUT} | DC Output Current | Internally Limited | | | | | A |
| - I _{OUT} | Reverse DC Output Current | - 9 | | | | | A |
| I _{IN} | DC Input Current | +/- 10 | | | | | mA |
| I _{STAT} | DC Status Current | +/- 10 | | | | | mA |
| V _{ESD} | Electrostatic Discharge (Human Body Model: R=1.5KΩ; C=100pF) | | | | | | |
| | - INPUT | 4000 | | | | | V |
| | - STATUS | 4000 | | | | | V |
| | - OUTPUT | 5000 | | | | | V |
| | - V _{CC} | 5000 | | | | | V |
| E _{MAX} | Maximum Switching Energy (L=4mH; R _L =0Ω; V _{bat} =13.5V; T _{jstart} =150°C; I _L =13A) | 481 | | 481 | | | mJ |
| E _{MAX} | Maximum Switching Energy (L=3.7mH; R _L =0Ω; V _{bat} =13.5V; T _{jstart} =150°C; I _L =13A) | | | | 438 | | mJ |
| E _{MAX} | Maximum Switching Energy (L=4.48mH; R _L =0Ω; V _{bat} =13.5V; T _{jstart} =150°C; I _L =13A) | | | | | 526 | mJ |
| P _{tot} | Power Dissipation T _C =25°C | 65.8 | 65.8 | 65.8 | 8.3 | 65.8 | W |
| T _j | Junction Operating Temperature | Internally Limited | | | | | °C |
| T _C | Case Operating Temperature | - 40 to 150 | | | | | °C |
| T _{stg} | Storage Temperature | - 55 to 150 | | | | | °C |

CONNECTION DIAGRAM (TOP VIEW)



CURRENT AND VOLTAGE CONVENTIONS



THERMAL DATA

| Symbol | Parameter | Value | | | | | Unit |
|-----------------------|-----------------------------------------|-------------|-----------|--------------------|---------|----------|------|
| | | PowerSO-10™ | PENTAWATT | P ² PAK | SO-16L | PPAK | |
| R _{thj-case} | Thermal Resistance Junction-case Max | 1.9 | 1.9 | 1.9 | - | 1.9 | °C/W |
| R _{thj-lead} | Thermal Resistance Junction-lead Max | - | - | - | 15 | - | °C/W |
| R _{thj-amb} | Thermal Resistance Junction-ambient Max | 51.9 (*) | 61.9 (*) | 51.9 (*) | 65 (**) | 76.9 (*) | °C/W |

(*) When mounted on a standard single-sided FR-4 board with 0.5cm² of Cu (at least 35µm thick).

(**) When mounted on FR4 printed circuit board with 0.5cm² of Cu (at least 35µ thick) connected to all V_{CC} pins.

ELECTRICAL CHARACTERISTICS (8V < V_{CC} < 36V; -40°C < T_j < 150°C unless otherwise specified)

POWER

| Symbol | Parameter | Test Conditions | Min | Typ | Max | Unit |
|----------------------|-----------------------------------|--------------------------------------------------------------------------------------------------------------------------------------------------------------------------------------------------------------------------------------------------------|-----|---------------|-----------------|----------------|
| V _{CC} | Operating Supply Voltage | | 5.5 | 13 | 36 | V |
| V _{USD} | Undervoltage Shut-down | | 3 | 4 | 5.5 | V |
| V _{USDhyst} | Undervoltage Shut-down hysteresis | | | 0.5 | | V |
| V _{OV} | Overvoltage Shut-down | | 36 | | | V |
| R _{ON} | On State Resistance | I _{OUT} =3A; T _j =25°C; V _{CC} >8V I _{OUT} =3A; V _{CC} >8V | | | 40 80 | mΩ mΩ |
| I _S | Supply Current | Off State; V _{CC} =13V; V _{IN} =V _{OUT} =0V Off State; V _{CC} =13V; V _{IN} =V _{OUT} =0V; T _j =25°C On State; V _{CC} =13V; V _{IN} =5V; I _{OUT} =0A | | 10 10 2 | 25 20 3.5 | µA µA mA |
| I _{L(off1)} | Off State Output Current | V _{IN} =V _{OUT} =0V | 0 | | 50 | µA |
| I _{L(off2)} | Off State Output Current | V _{IN} =0V; V _{OUT} =3.5V | -75 | | 0 | µA |
| I _{L(off3)} | Off State Output Current | V _{IN} =V _{OUT} =0V; V _{CC} =13V; T _j =125°C | | | 5 | µA |
| I _{L(off4)} | Off State Output Current | V _{IN} =V _{OUT} =0V; V _{CC} =13V; T _j =25°C | | | 3 | µA |

SWITCHING (V_{CC}=13V)

| Symbol | Parameter | Test Conditions | Min | Typ | Max | Unit |
|----------------------------------------|------------------------|--------------------------------------------------------------------------------------|-----|----------------------------|-----|------|
| t _{d(on)} | Turn-on Delay Time | R _L =4.3Ω from V _{IN} rising edge to V _{OUT} =1.3V | | 30 | | µs |
| t _{d(off)} | Turn-off Delay Time | R _L =4.3Ω from V _{IN} falling edge to V _{OUT} =11.7V | | 30 | | µs |
| dV _{OUT} /dt _(on) | Turn-on Voltage Slope | R _L =4.3Ω from V _{OUT} =1.3 to V _{OUT} =10.4V | | See relative diagram | | V/µs |
| dV _{OUT} /dt _(off) | Turn-off Voltage Slope | R _L =4.3Ω from V _{OUT} =11.7 to V _{OUT} =1.3V | | See relative diagram | | V/µs |

INPUT PIN

| Symbol | Parameter | Test Conditions | Min | Typ | Max | Unit |
|----------------------|--------------------------|-----------------------------------------------|------|-------------|------|--------|
| V _{IL} | Input Low Level | | | | 1.25 | V |
| I _{IL} | Low Level Input Current | V _{IN} =1.25V | 1 | | | µA |
| V _{IH} | Input High Level | | 3.25 | | | V |
| I _{IH} | High Level Input Current | V _{IN} =3.25V | | | 10 | µA |
| V _{I(hyst)} | Input Hysteresis Voltage | | 0.5 | | | V |
| V _{ICL} | Input Clamp Voltage | I _{IN} =1mA I _{IN} =-1mA | 6 | 6.8 -0.7 | 8 | V V |

ELECTRICAL CHARACTERISTICS (continued)
STATUS PIN

| Symbol | Parameter | Test Conditions | Min | Typ | Max | Unit |
|-------------|------------------------------|--------------------------------|-----|------|-----|---------|
| V_{STAT} | Status Low Output Voltage | $I_{STAT}=1.6mA$ | | | 0.5 | V |
| I_{LSTAT} | Status Leakage Current | Normal Operation $V_{STAT}=5V$ | | | 10 | μA |
| C_{STAT} | Status Pin Input Capacitance | Normal Operation $V_{STAT}=5V$ | | | 100 | pF |
| V_{SCL} | Status Clamp Voltage | $I_{STAT}=1mA$ | 6 | 6.8 | 8 | V |
| | | $I_{STAT}=-1mA$ | | -0.7 | | V |

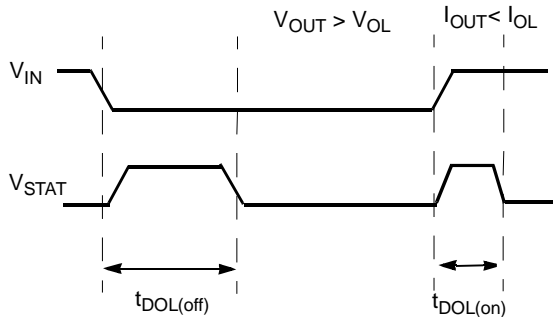
PROTECTIONS

| Symbol | Parameter | Test Conditions | Min | Typ | Max | Unit |
|-------------|------------------------------------|--------------------------------|-------------|-------------|-------------|-------------|
| T_{TSD} | Shut-down Temperature | | 150 | 175 | 200 | $^{\circ}C$ |
| T_R | Reset Temperature | | 135 | | | $^{\circ}C$ |
| T_{hyst} | Thermal Hysteresis | | 7 | 15 | | $^{\circ}C$ |
| t_{SDL} | Status delay in overload condition | $T_j > T_{TSD}$ | | | 20 | μs |
| I_{lim} | Current limitation | $5.5V < V_{CC} < 36V$ | 9 | 13 | 20 | A |
| V_{demag} | Turn-off Output Clamp Voltage | $I_{OUT}=3A; V_{IN}=0V; L=6mH$ | $V_{CC}-41$ | $V_{CC}-48$ | $V_{CC}-55$ | V |

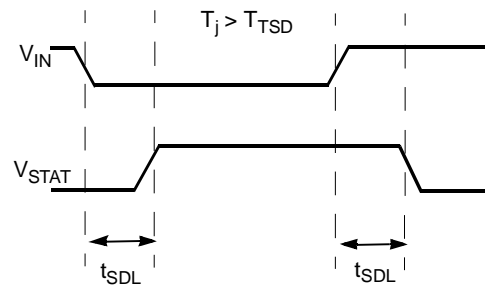
OPENLOAD DETECTION

| Symbol | Parameter | Test Conditions | Min | Typ | Max | Unit |
|----------------|------------------------------------------------|-----------------|-----|-----|------|---------|
| I_{OL} | Openload ON State Detection Threshold | $V_{IN}=5V$ | 70 | 150 | 300 | mA |
| $t_{DOL(on)}$ | Openload ON State Detection Delay | $I_{OUT}=0A$ | | | 200 | μs |
| V_{OL} | Openload OFF State Voltage Detection Threshold | $V_{IN}=0V$ | 1.5 | 2.5 | 3.5 | V |
| $t_{DOL(off)}$ | Openload Detection Delay at Turn Off | | | | 1000 | μs |

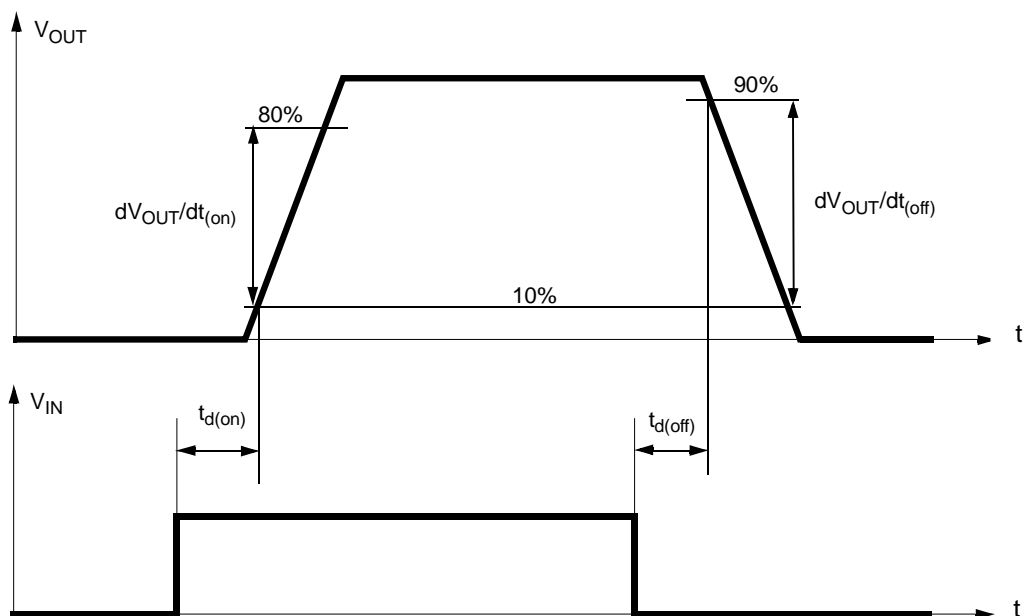
OPEN LOAD STATUS TIMING (with external pull-up)



OVERTEMP STATUS TIMING



Switching time Waveforms



TRUTH TABLE

| CONDITIONS | INPUT | OUTPUT | STATUS |
|---------------------------|-------|--------|---------------------|
| Normal Operation | L | L | H |
| | H | H | H |
| Current Limitation | L | L | H |
| | H | X | $(T_j < T_{TSD})$ H |
| | H | X | $(T_j > T_{TSD})$ L |
| Overtemperature | L | L | H |
| | H | L | L |
| Undervoltage | L | L | X |
| | H | L | X |
| Overvoltage | L | L | H |
| | H | L | H |
| Output Voltage $> V_{OL}$ | L | H | L |
| | H | H | H |
| Output Current $< I_{OL}$ | L | L | H |
| | H | H | L |

OPEN LOAD DETECTION IN OFF STATE

Off state open load detection requires an external pull-up resistor (R_{PU}) connected between OUTPUT pin and a positive supply voltage (V_{PU}) like the +5V line used to supply the microprocessor.

The external resistor has to be selected according to the following requirements:

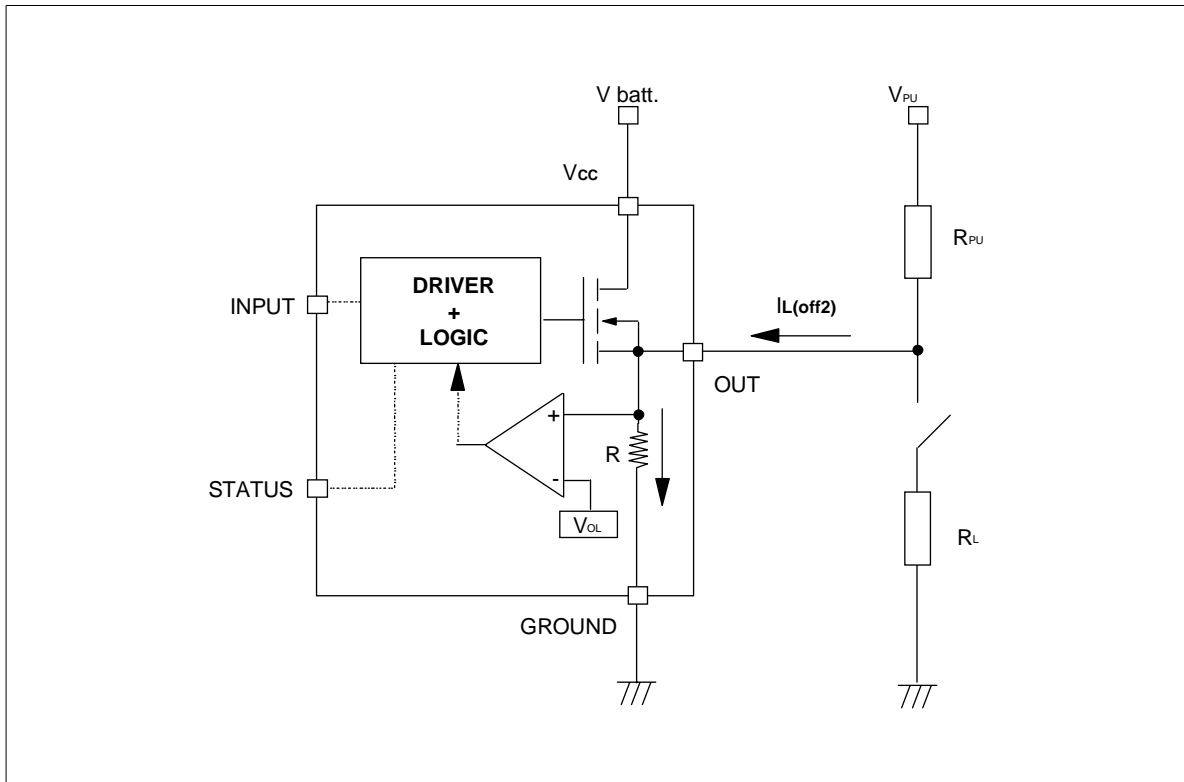
- 1) no false open load indication when load is connected: in this case we have to avoid V_{OUT} to be higher than V_{OLmin} ; this results in the following condition $V_{OUT} = (V_{PU} / (R_L + R_{PU})) R_L < V_{OLmin}$.

- 2) no misdetection when load is disconnected: in this case the V_{OUT} has to be higher than V_{OLmax} ; this results in the following condition $R_{PU} < (V_{PU} - V_{OLmax}) / I_{L(off2)}$.

Because $I_{S(OFF)}$ may significantly increase if V_{OUT} is pulled high (up to several mA), the pull-up resistor R_{PU} should be connected to a supply that is switched OFF when the module is in standby.

The values of V_{OLmin} , V_{OLmax} and $I_{L(off2)}$ are available in the Electrical Characteristics section.

Open Load detection in off state



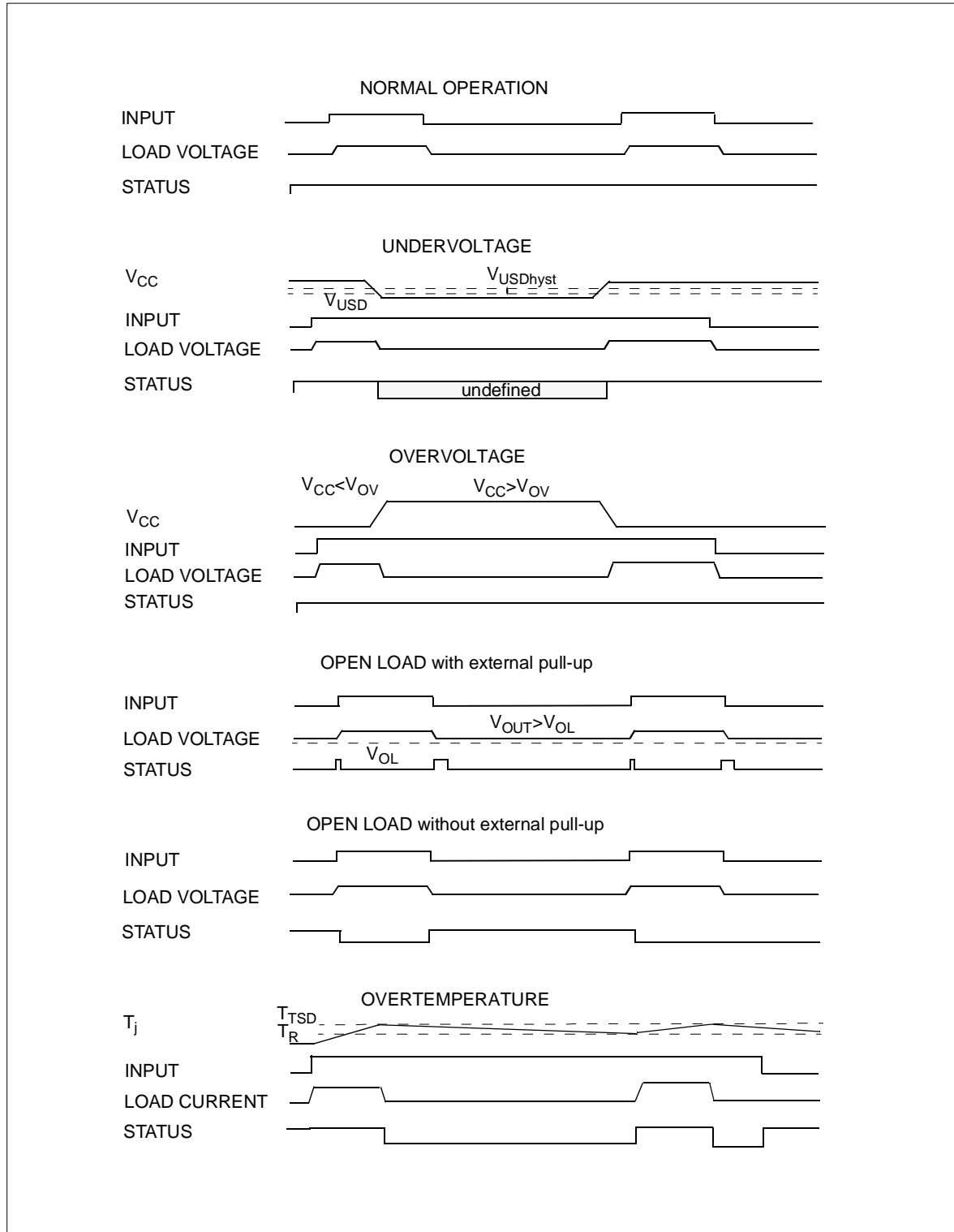
ELECTRICAL TRANSIENT REQUIREMENTS ON V_{CC} PIN

| ISO T/R 7637/1 Test Pulse | TEST LEVELS | | | | Delays and Impedance |
|------------------------------|-------------|---------|---------|---------|-------------------------|
| | I | II | III | IV | |
| 1 | -25 V | -50 V | -75 V | -100 V | 2 ms 10 Ω |
| 2 | +25 V | +50 V | +75 V | +100 V | 0.2 ms 10 Ω |
| 3a | -25 V | -50 V | -100 V | -150 V | 0.1 μs 50 Ω |
| 3b | +25 V | +50 V | +75 V | +100 V | 0.1 μs 50 Ω |
| 4 | -4 V | -5 V | -6 V | -7 V | 100 ms, 0.01 Ω |
| 5 | +26.5 V | +46.5 V | +66.5 V | +86.5 V | 400 ms, 2 Ω |

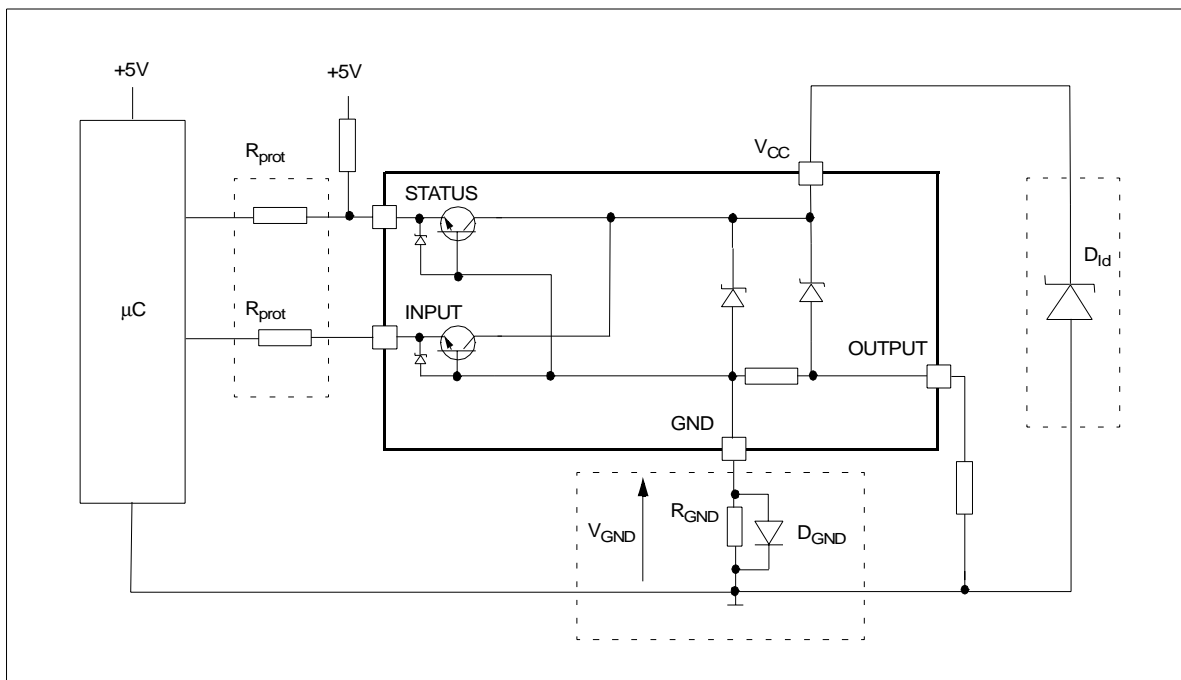
| ISO T/R 7637/1 Test Pulse | TEST LEVELS RESULTS | | | |
|------------------------------|---------------------|----|-----|----|
| | I | II | III | IV |
| 1 | C | C | C | C |
| 2 | C | C | C | C |
| 3a | C | C | C | C |
| 3b | C | C | C | C |
| 4 | C | C | C | C |
| 5 | C | E | E | E |

| CLASS | CONTENTS |
|----------|-------------------------------------------------------------------------------------------------------------------------------------------------------------------------|
| C | All functions of the device are performed as designed after exposure to disturbance. |
| E | One or more functions of the device is not performed as designed after exposure to disturbance and cannot be returned to proper operation without replacing the device. |

Figure 1: Waveforms



APPLICATION SCHEMATIC



GND PROTECTION NETWORK AGAINST REVERSE BATTERY

Solution 1: Resistor in the ground line (R_{GND} only). This can be used with any type of load.

The following is an indication on how to dimension the R_{GND} resistor.

- 1) $R_{GND} \leq 600\text{mV} / (I_{S(on)max})$.
- 2) $R_{GND} \geq (-V_{CC}) / (-I_{GND})$

where $-I_{GND}$ is the DC reverse ground pin current and can be found in the absolute maximum rating section of the of the device's datasheet.

Power Dissipation in R_{GND} (when $V_{CC} < 0$: during reverse battery situations) is:

$$P_D = (-V_{CC})^2 / R_{GND}$$

This resistor can be shared amongst several different HSD. Please note that the value of this resistor should be calculated with formula (1) where $I_{S(on)max}$ becomes the sum of the maximum on-state currents of the different devices.

Please note that if the microprocessor ground is not common with the device ground then the R_{GND} will produce a shift ($I_{S(on)max} * R_{GND}$) in the input thresholds and the status output values. This shift will vary depending on many devices are ON in the case of several high side drivers sharing the same R_{GND} .

If the calculated power dissipation leads to a large resistor or several devices have to share the same resistor then the ST suggest to utilize Solution 2 (see below).

Solution 2: A diode (D_{GND}) in the ground line.

A resistor ($R_{GND} = 1\text{k}\Omega$) should be inserted in parallel to D_{GND} if the device will be driving an inductive load.

This small signal diode can be safely shared amongst several different HSD. Also in this case, the presence of the ground network will produce a shift ($\approx 600\text{mV}$) in the input threshold and the status output values if the microprocessor ground is not common with the device ground. This shift will not vary if more than one HSD shares the same diode/resistor network.

LOAD DUMP PROTECTION

D_{Id} is necessary (Voltage Transient Suppressor) if the load dump peak voltage exceeds V_{CC} max DC rating. The same applies if the device will be subject to transients on the V_{CC} line that are greater than the ones shown in the ISO T/R 7637/1 table.

µC I/Os PROTECTION:

If a ground protection network is used and negative transient are present on the V_{CC} line, the control pins will be pulled negative. ST suggests to insert a resistor (R_{prot}) in line to prevent the μC I/Os pins to latch-up.

The value of these resistors is a compromise between the leakage current of μC and the current required by the HSD I/Os (Input levels compatibility) with the latch-up limit of μC I/Os.

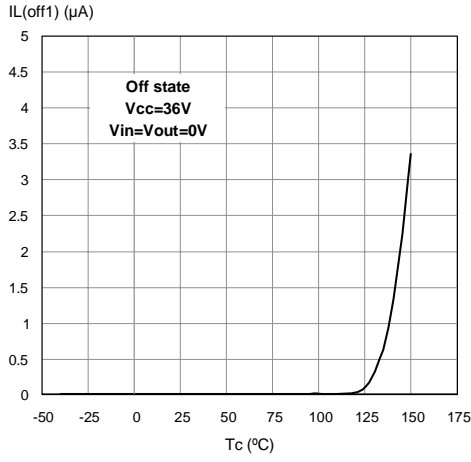
$$-V_{CCpeak} / I_{latchup} \leq R_{prot} \leq (V_{OH\mu C} - V_{IH} - V_{GND}) / I_{IHmax}$$

Calculation example:

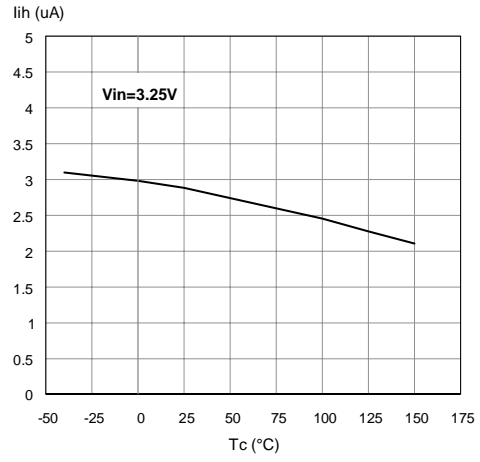
For $V_{CCpeak} = -100\text{V}$ and $I_{latchup} \geq 20\text{mA}$; $V_{OH\mu C} \geq 4.5\text{V}$
 $5\text{k}\Omega \leq R_{prot} \leq 65\text{k}\Omega$.

Recommended R_{prot} value is $10\text{k}\Omega$.

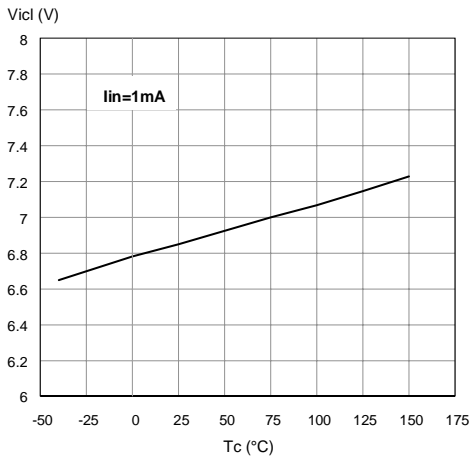
Off State Output Current



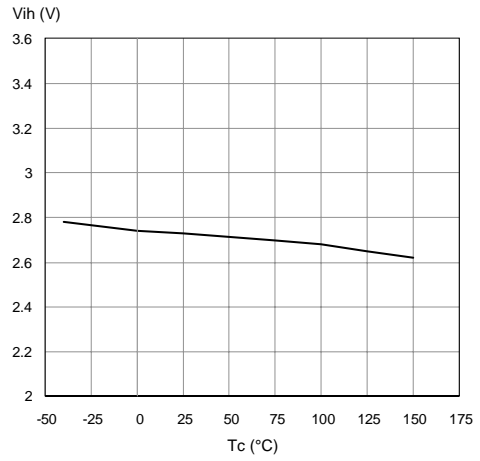
High Level Input Current



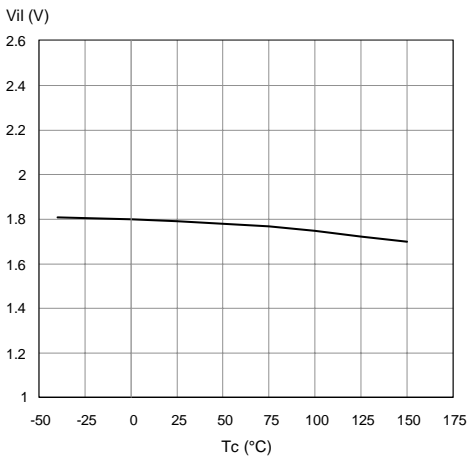
Input Clamp Voltage



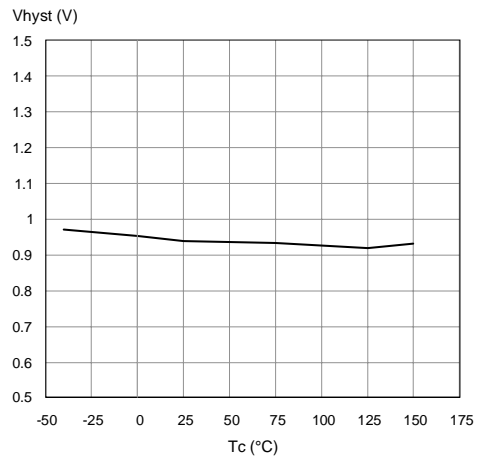
Input High Level



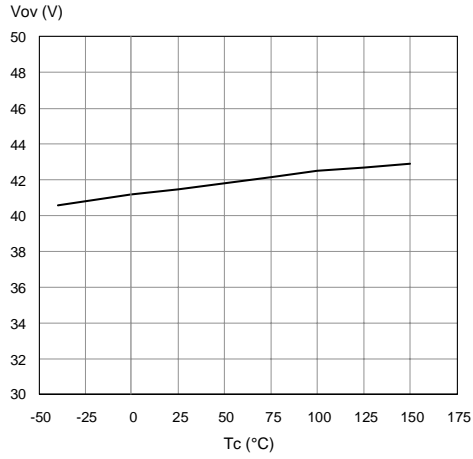
Input Low Level



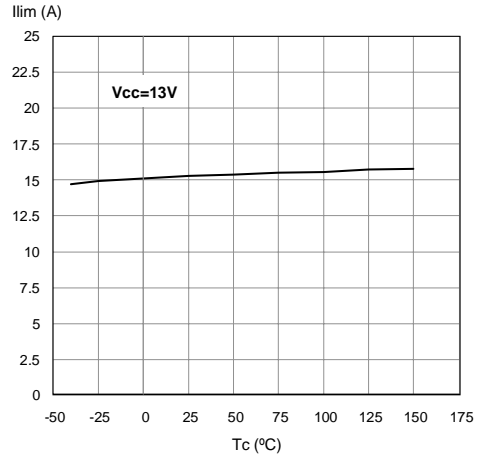
Input Hysteresis Voltage



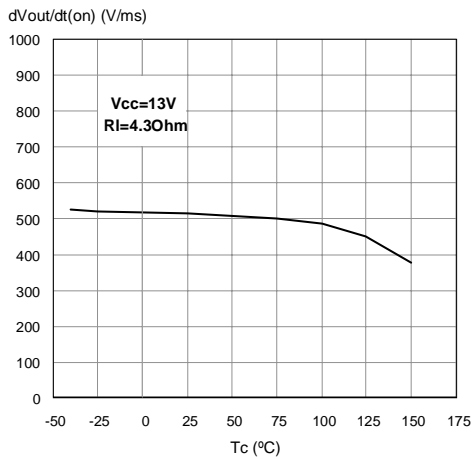
Overvoltage Shutdown



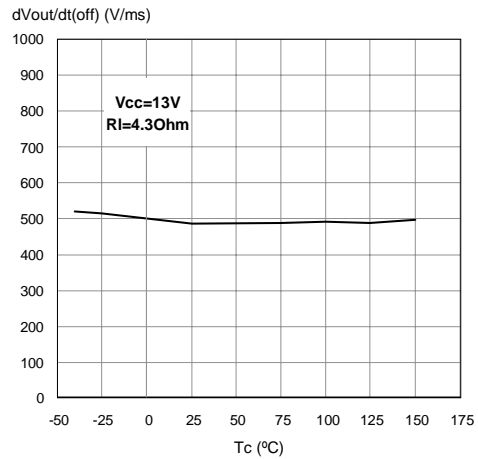
I_{LIM} Vs T_{case}



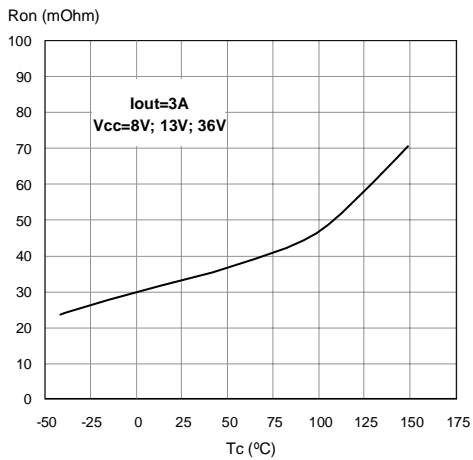
Turn-on Voltage Slope



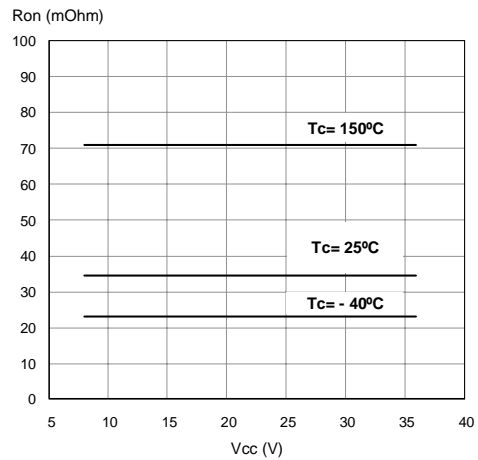
Turn-off Voltage Slope



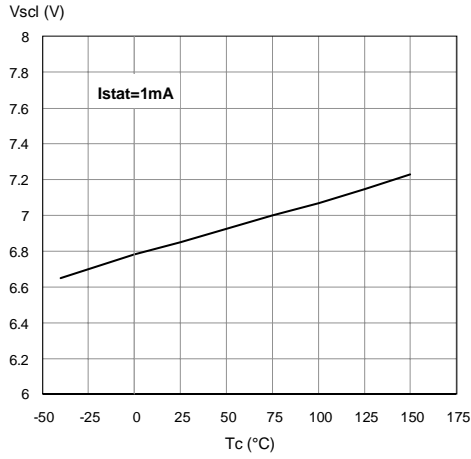
On State Resistance Vs T_{case}



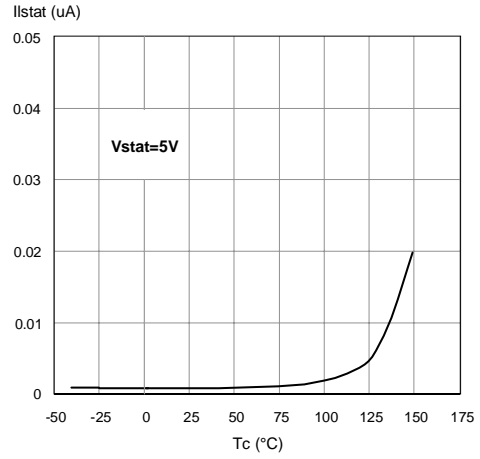
On State Resistance Vs V_{CC}



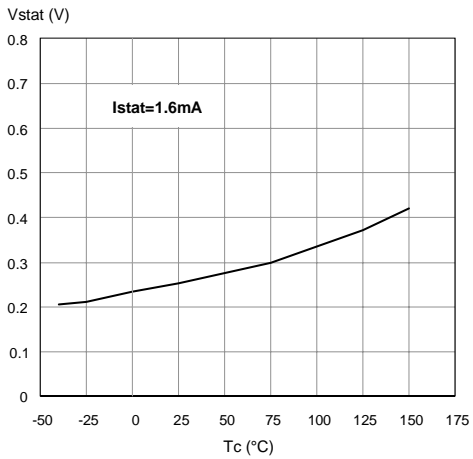
Status Clamp Voltage



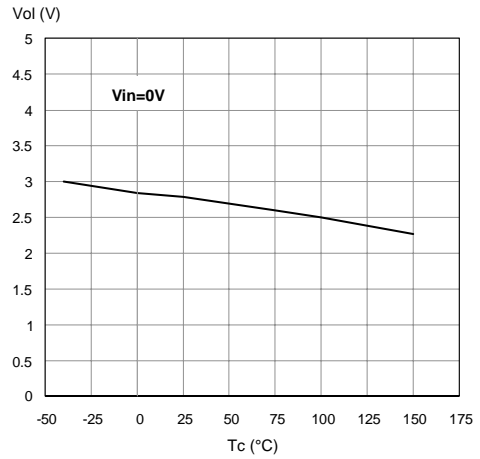
Status Leakage Current



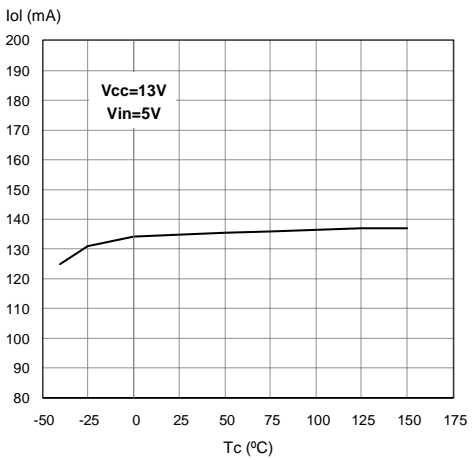
Status Low Output Voltage



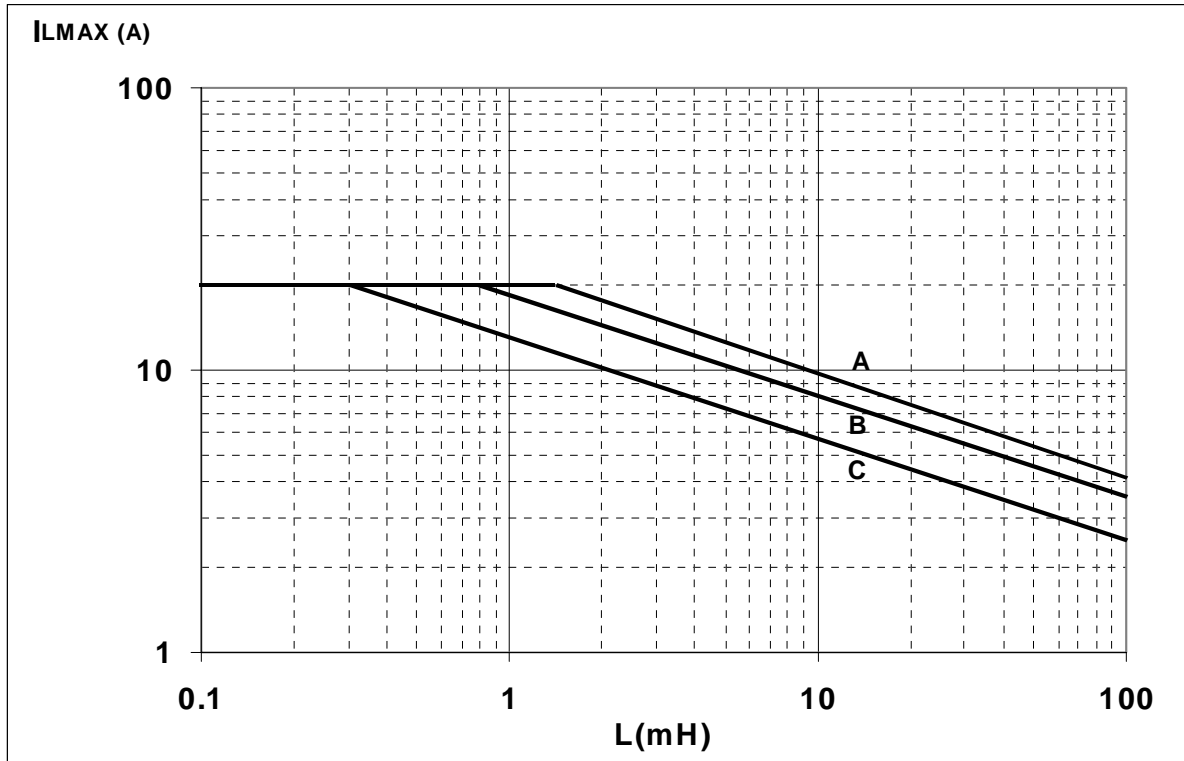
Open Load Off State Voltage Detection Threshold



Open Load On State Detection Threshold



PowerSO-10, P²PAK, PENTAWATT Maximum turn off current versus load inductance



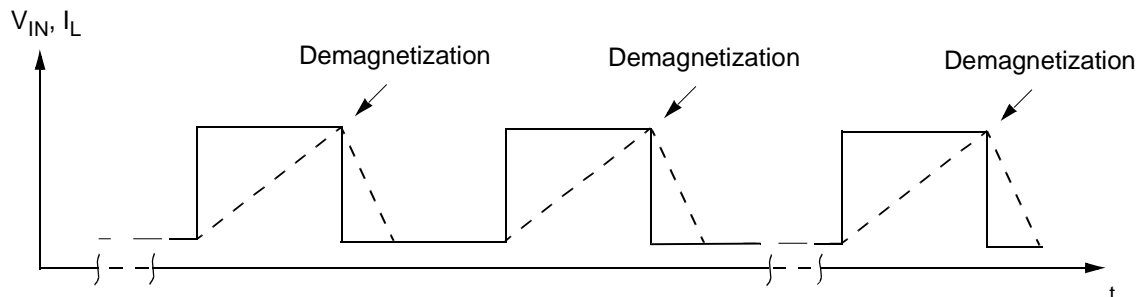
- A = Single Pulse at $T_{Jstart}=150^{\circ}C$
- B= Repetitive pulse at $T_{Jstart}=100^{\circ}C$
- C= Repetitive Pulse at $T_{Jstart}=125^{\circ}C$

Conditions:

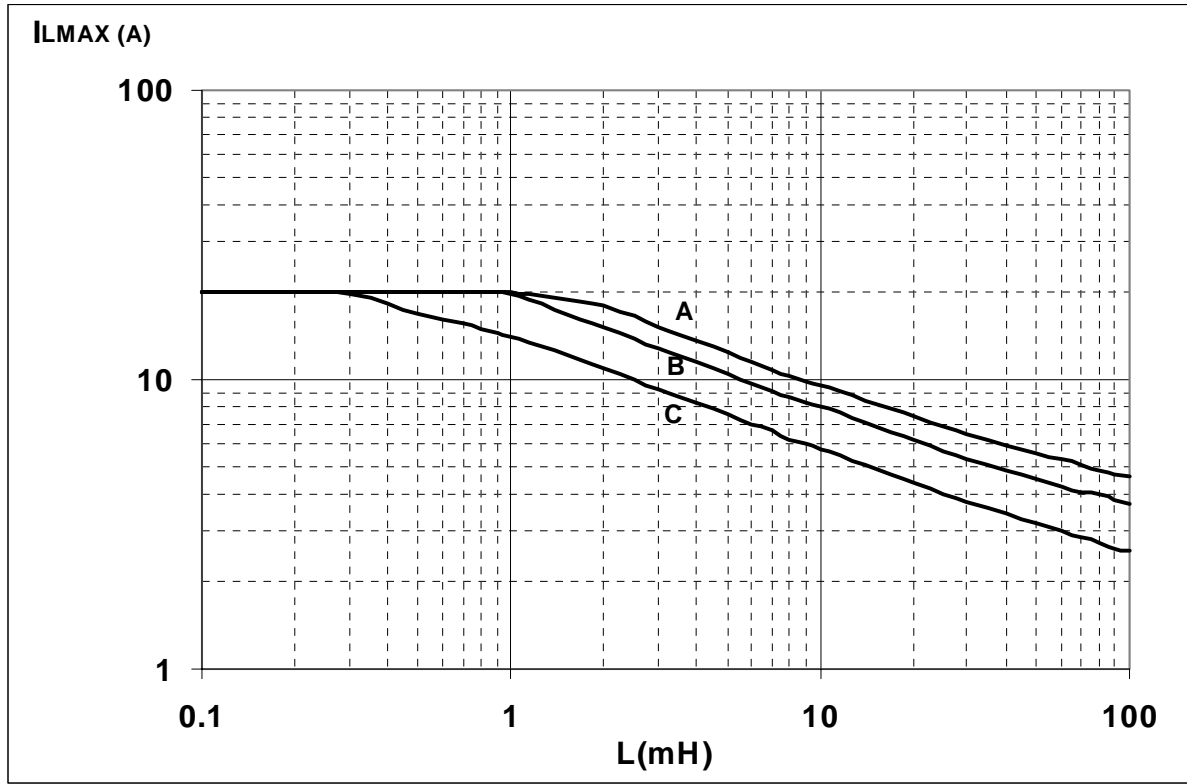
$V_{CC}=13.5V$

Values are generated with $R_L=0\Omega$

In case of repetitive pulses, T_{Jstart} (at beginning of each demagnetization) of every pulse must not exceed the temperature specified above for curves B and C.



PPAK Maximum turn off current versus load inductance



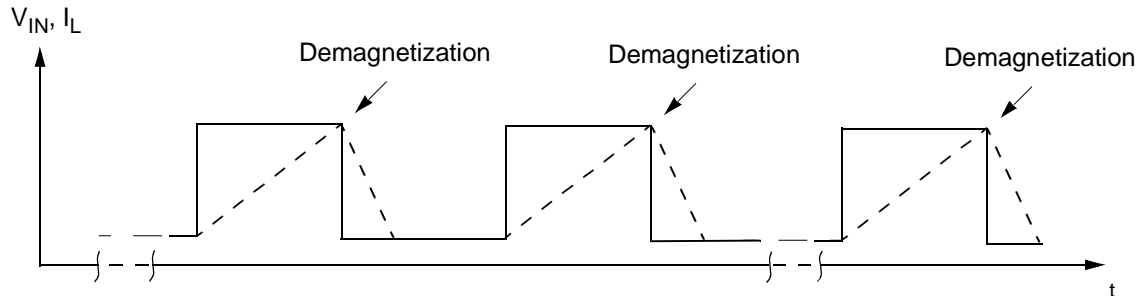
- A = Single Pulse at $T_{jstart}=150^{\circ}C$
- B= Repetitive pulse at $T_{jstart}=100^{\circ}C$
- C= Repetitive Pulse at $T_{jstart}=125^{\circ}C$

Conditions:

$V_{CC}=13.5V$

Values are generated with $R_L=0\Omega$

In case of repetitive pulses, T_{jstart} (at beginning of each demagnetization) of every pulse must not exceed the temperature specified above for curves B and C.



SO-16L Maximum turn off current versus load inductance



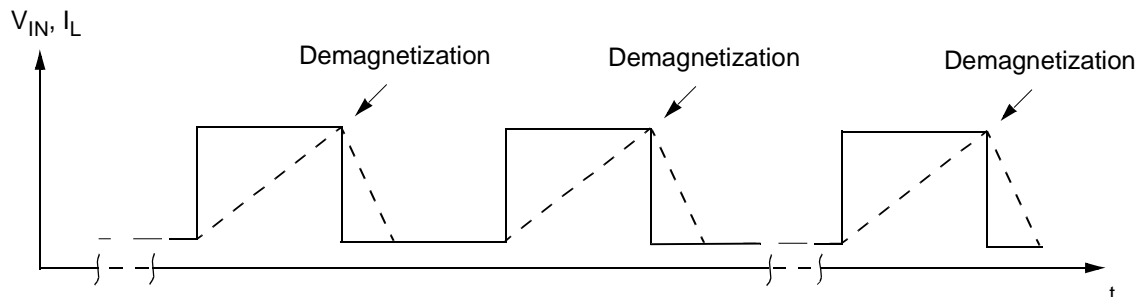
- A = Single Pulse at $T_{Jstart}=150^{\circ}C$
- B = Repetitive pulse at $T_{Jstart}=100^{\circ}C$
- C = Repetitive Pulse at $T_{Jstart}=125^{\circ}C$

Conditions:

$V_{CC}=13.5V$

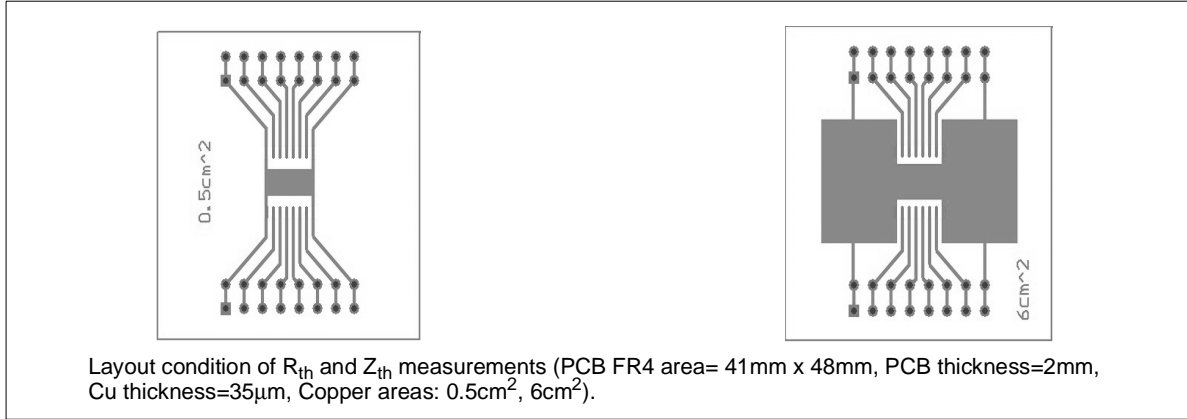
Values are generated with $R_L=0\Omega$

In case of repetitive pulses, T_{Jstart} (at beginning of each demagnetization) of every pulse must not exceed the temperature specified above for curves B and C.

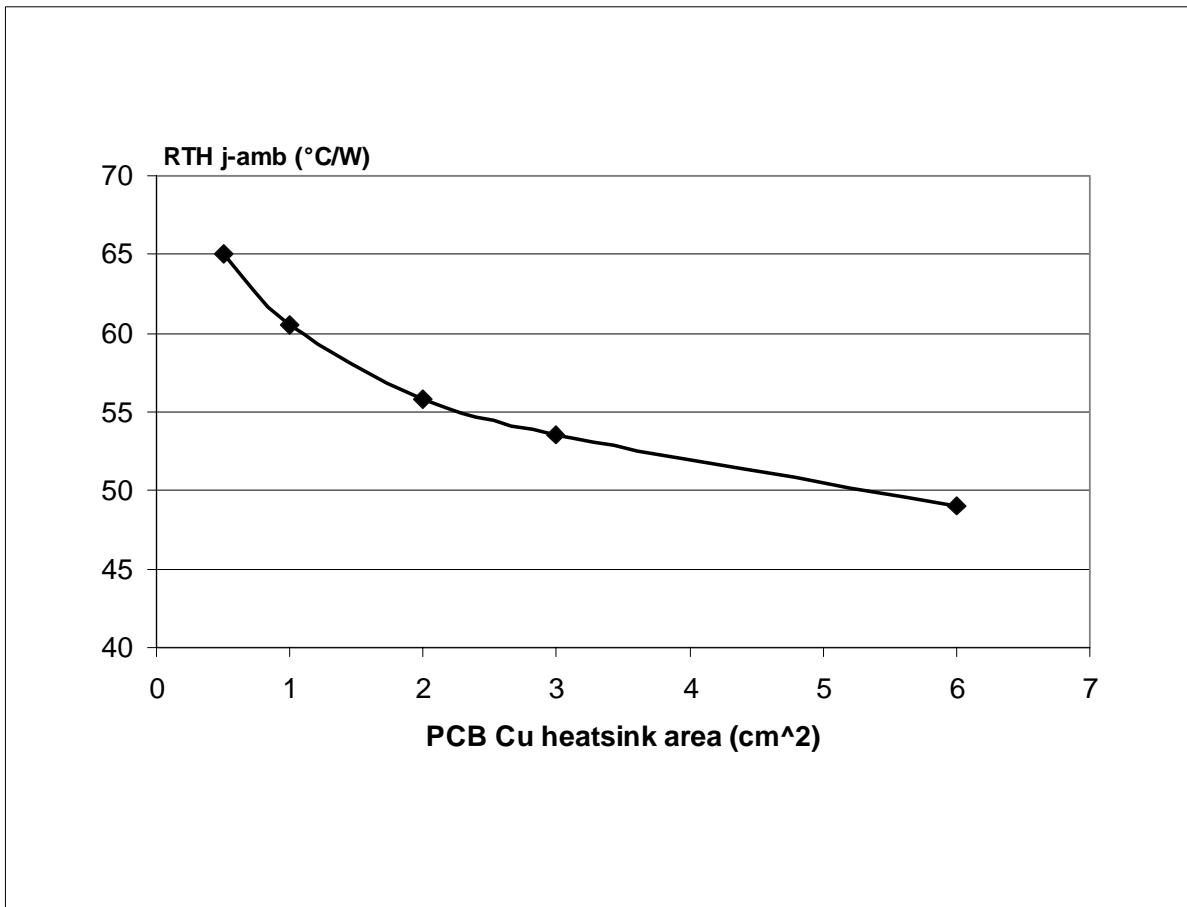


SO-16L THERMAL DATA

SO-16L PC Board



$R_{thj-amb}$ Vs PCB copper area in open box free air condition

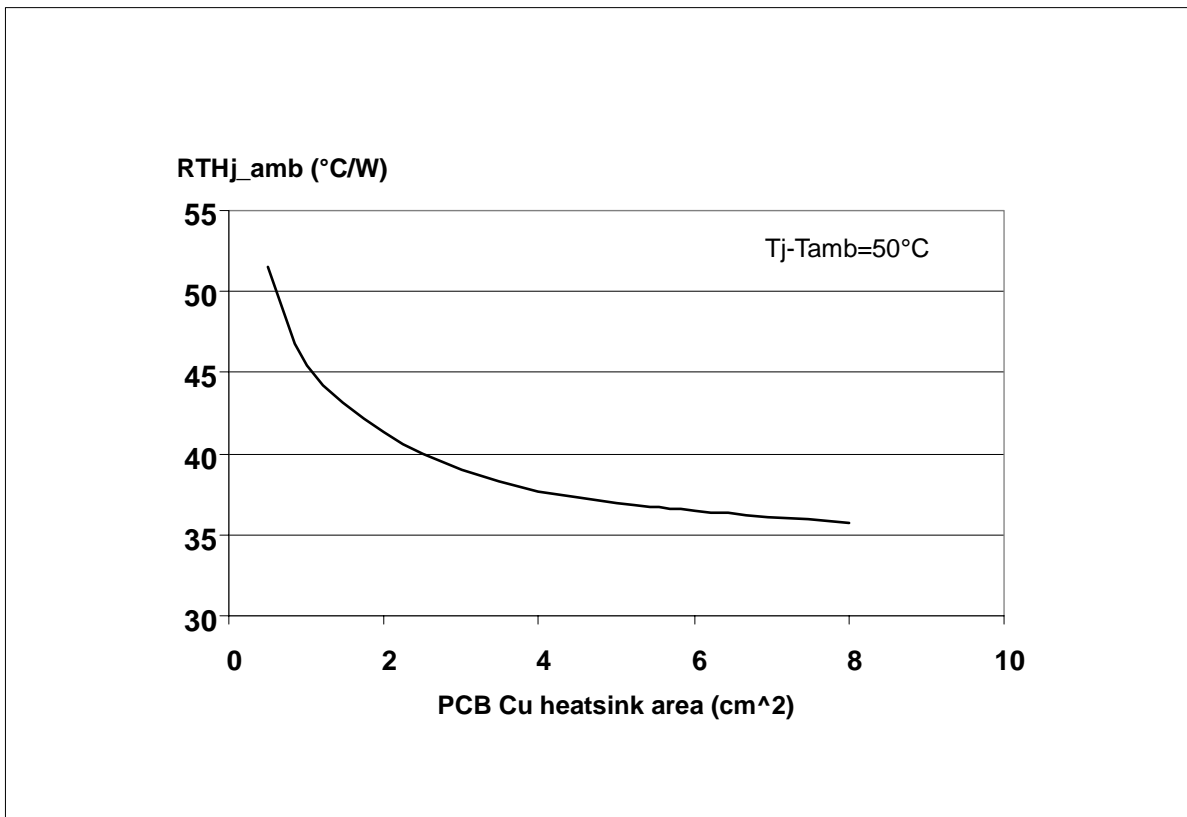


P²PAK THERMAL DATA

P²PAK PC Board

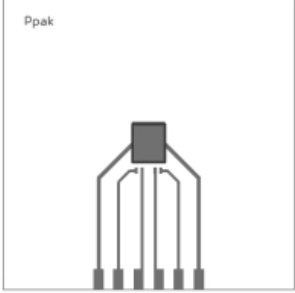
Layout condition of R_{th} and Z_{th} measurements (PCB FR4 area= 60mm x 60mm, PCB thickness=2mm, Cu thickness=35 μ m, Copper areas: 0.97cm², 8cm²).

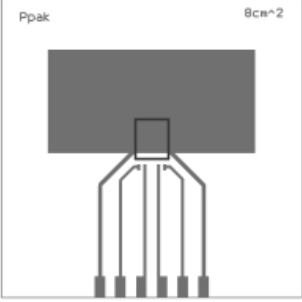
$R_{thj-amb}$ Vs PCB copper area in open box free air condition



PPAK THERMAL DATA

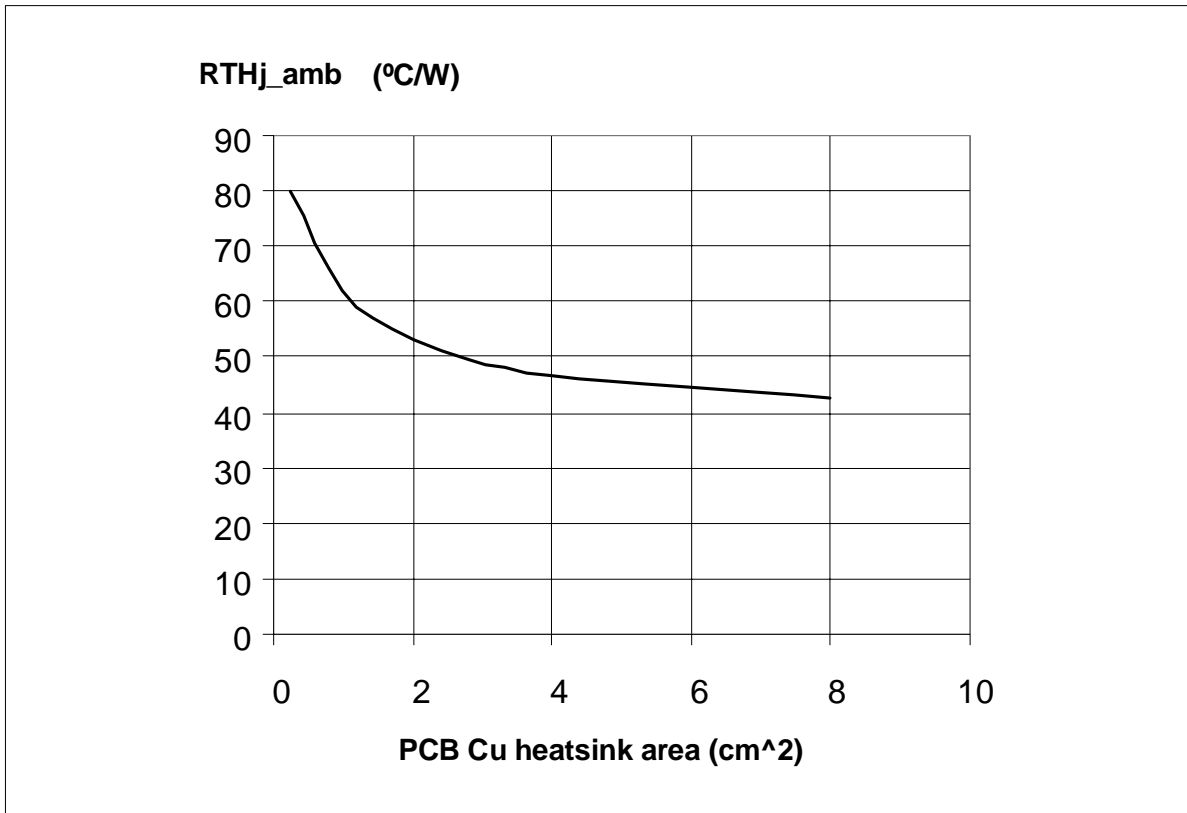
PPAK PC Board





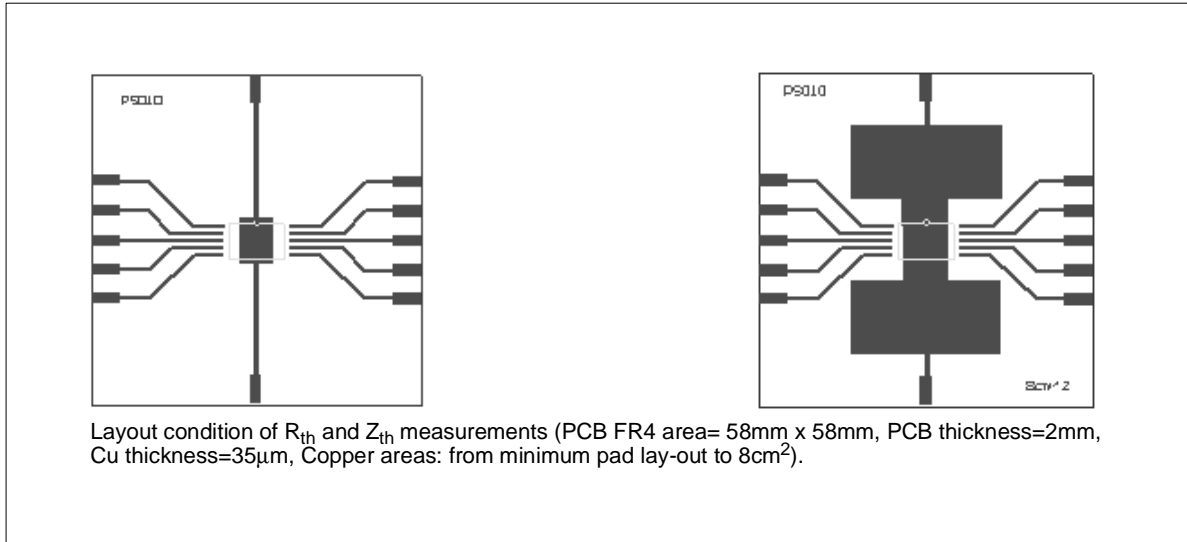
Layout condition of R_{th} and Z_{th} measurements (PCB FR4 area= 60mm x 60mm, PCB thickness=2mm, Cu thickness=35 μ m, Copper areas: 0.44cm², 8cm²).

$R_{thj-amb}$ Vs PCB copper area in open box free air condition

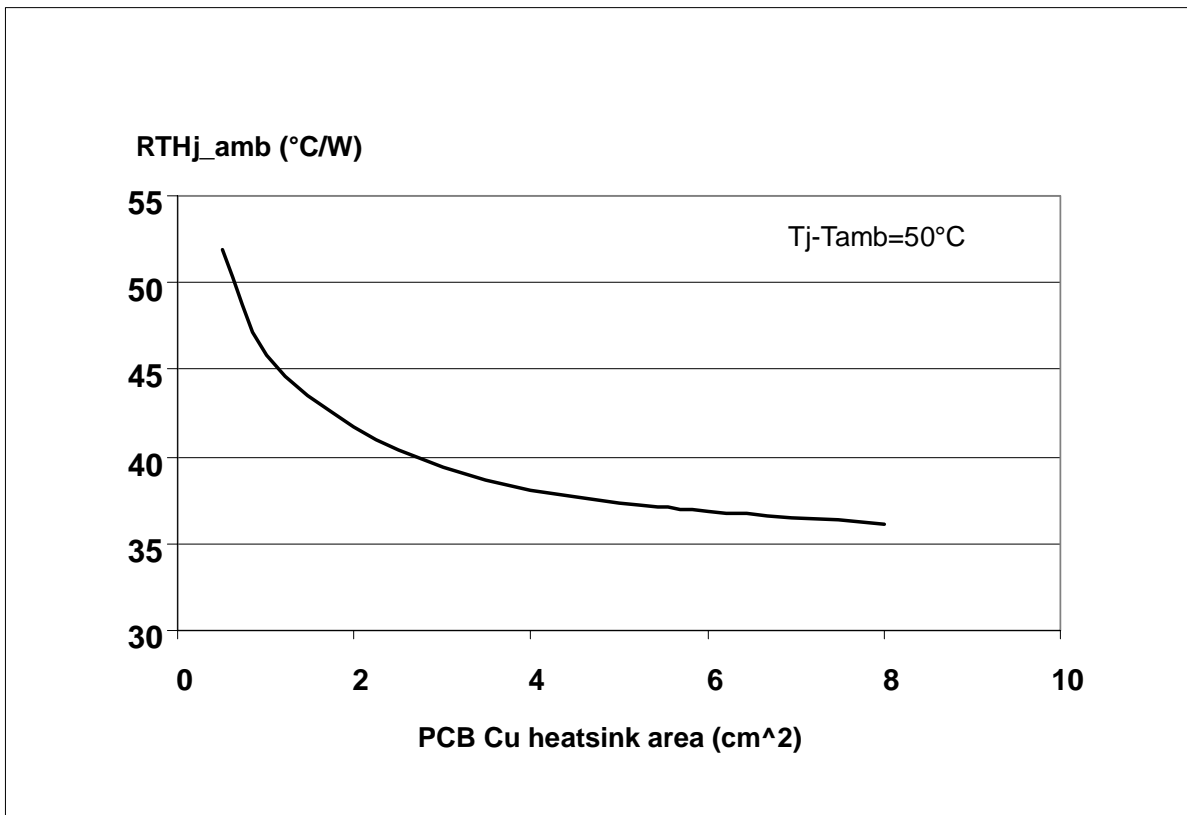


PowerSO-10™ THERMAL DATA

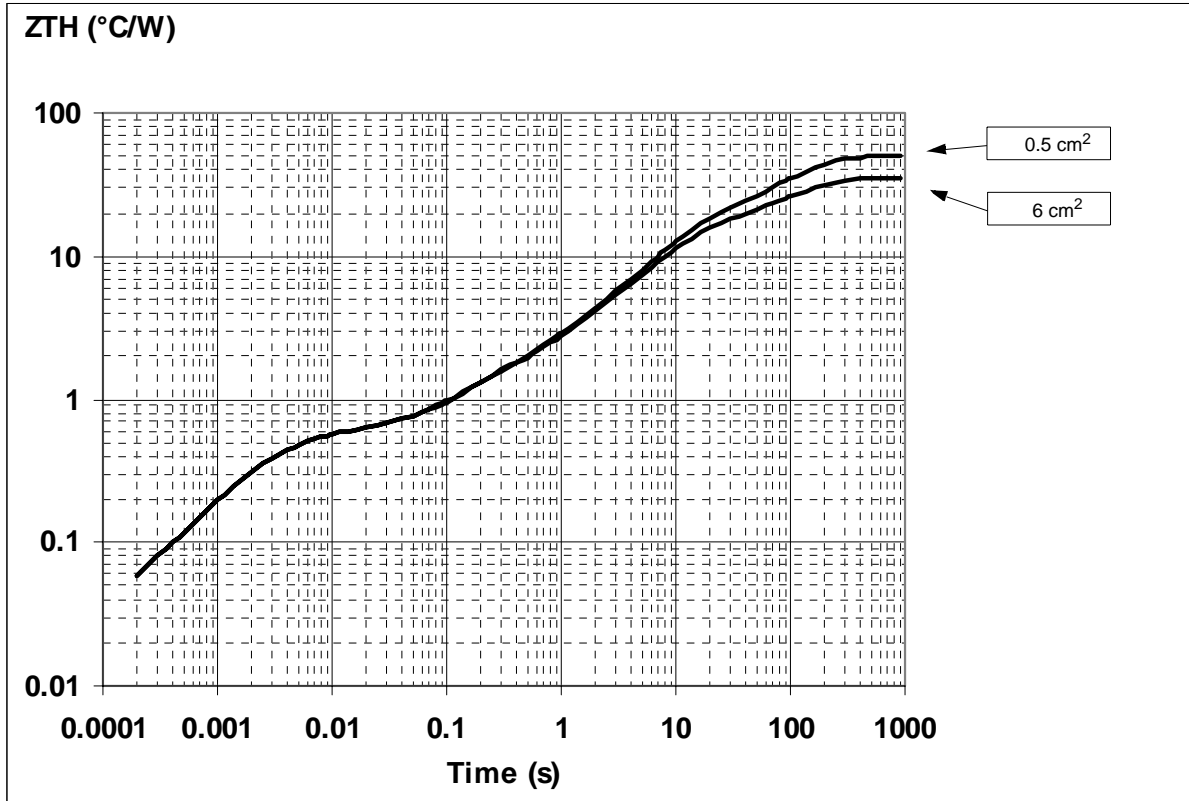
PowerSO-10™ PC Board



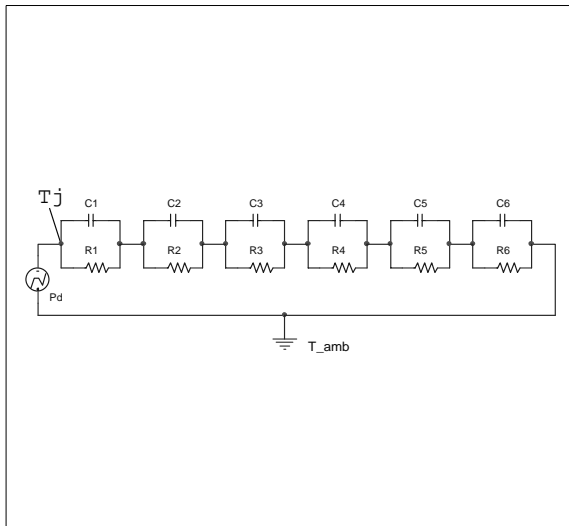
$R_{thj-amb}$ Vs PCB copper area in open box free air condition



PowerSO-10 Thermal Impedance Junction Ambient Single Pulse



Thermal fitting model of a single channel HSD in PowerSO-10



Pulse calculation formula

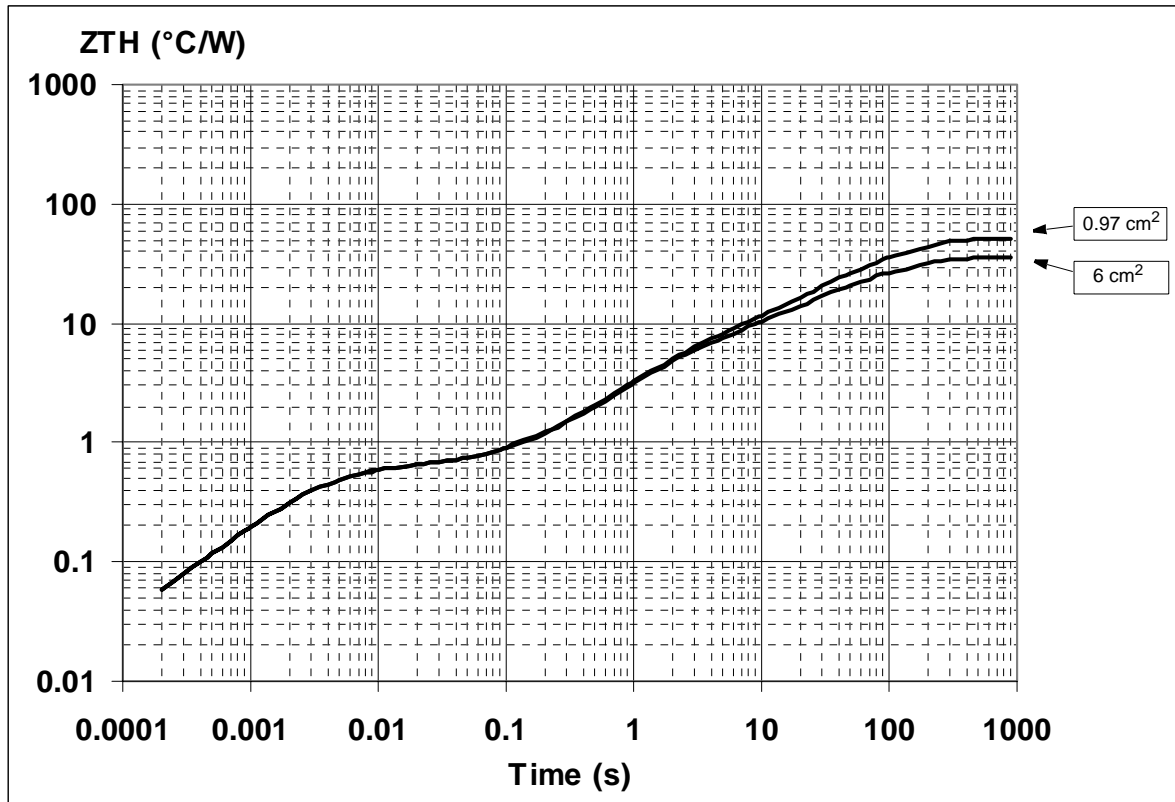
$$Z_{TH\delta} = R_{TH} \cdot \delta + Z_{THtp}(1 - \delta)$$

where $\delta = t_p / T$

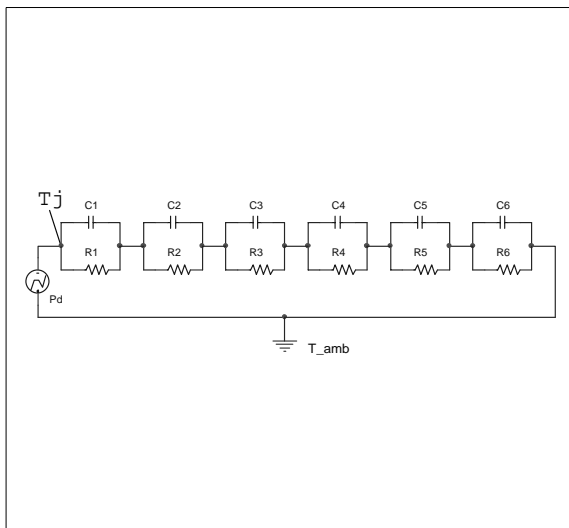
Thermal Parameter

| Area/island (cm ²) | 0.5 | 6 |
|--------------------------------|----------|----|
| R1 (°C/W) | 0.04 | |
| R2 (°C/W) | 0.25 | |
| R3 (°C/W) | 0.25 | |
| R4 (°C/W) | 0.8 | |
| R5 (°C/W) | 12 | |
| R6 (°C/W) | 37 | 22 |
| C1 (W.s/°C) | 0.0008 | |
| C2 (W.s/°C) | 7.00E-03 | |
| C3 (W.s/°C) | 0.015 | |
| C4 (W.s/°C) | 0.3 | |
| C5 (W.s/°C) | 0.75 | |
| C6 (W.s/°C) | 3 | 5 |

P²PAK Thermal Impedance Junction Ambient Single Pulse



Thermal fitting model of a single channel HSD in P²PAK



Pulse calculation formula

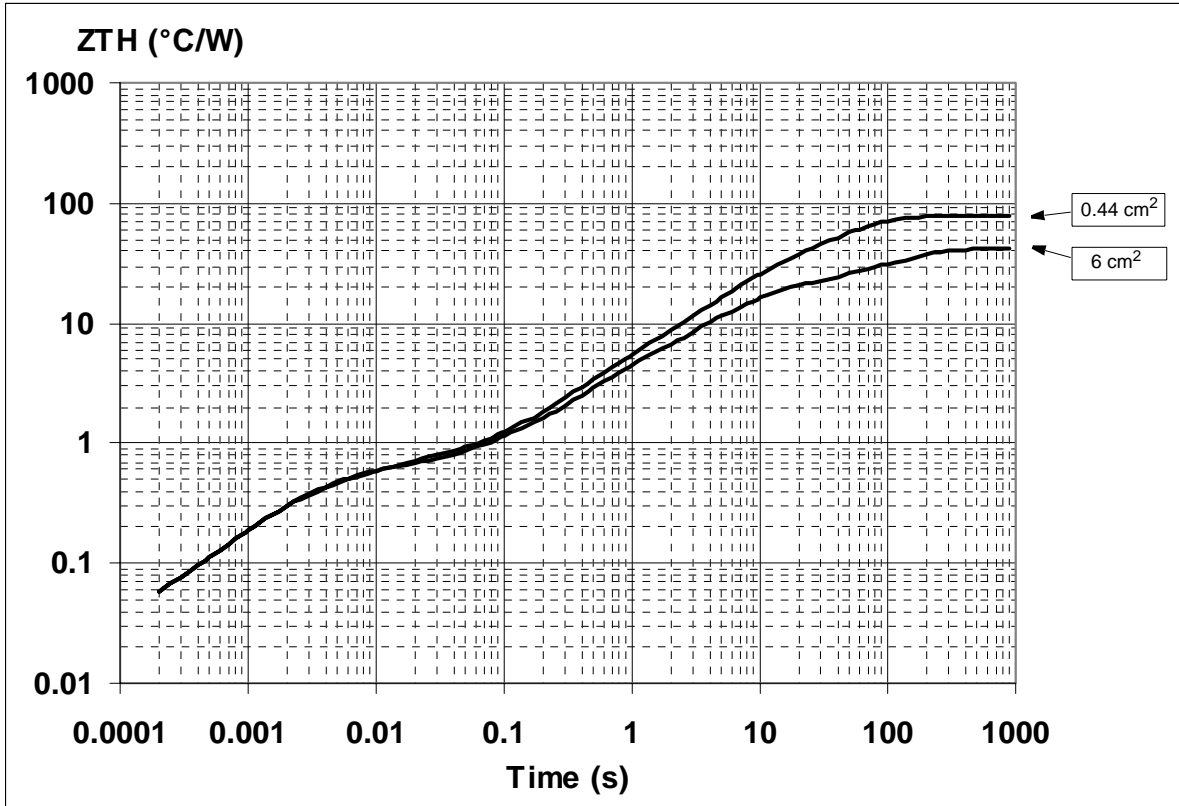
$$Z_{TH\delta} = R_{TH} \cdot \delta + Z_{THtp}(1 - \delta)$$

where $\delta = t_p/T$

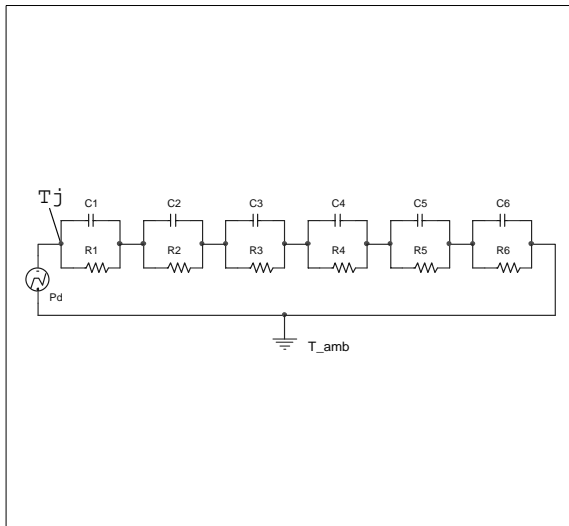
Thermal Parameter

| Area/island (cm ²) | 0.97 | 6 |
|--------------------------------|--------|----|
| R1 (°C/W) | 0.04 | |
| R2 (°C/W) | 0.25 | |
| R3 (°C/W) | 0.3 | |
| R4 (°C/W) | 4 | |
| R5 (°C/W) | 9 | |
| R6 (°C/W) | 37 | 22 |
| C1 (W.s/°C) | 0.0008 | |
| C2 (W.s/°C) | 0.007 | |
| C3 (W.s/°C) | 0.015 | |
| C4 (W.s/°C) | 0.4 | |
| C5 (W.s/°C) | 2 | |
| C6 (W.s/°C) | 3 | 5 |

PPAK Thermal Impedance Junction Ambient Single Pulse



Thermal fitting model of a single channel HSD in PPAK



Pulse calculation formula

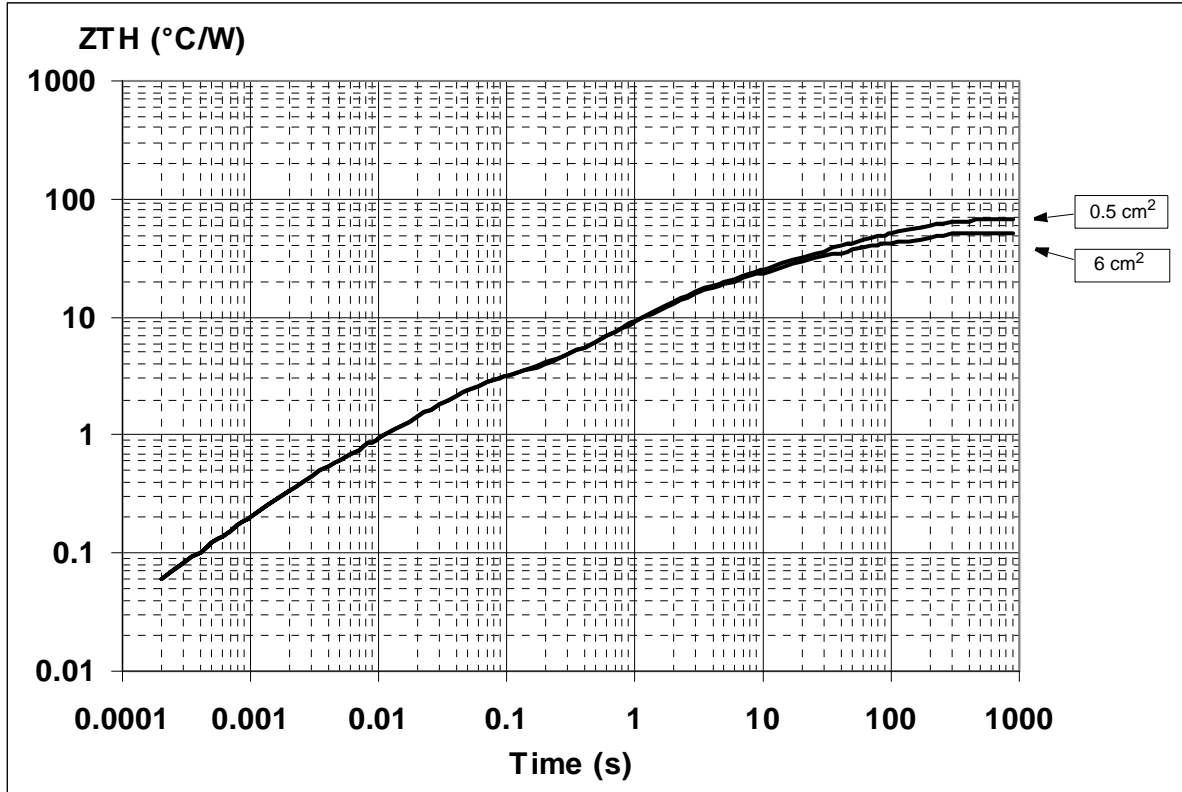
$$Z_{TH\delta} = R_{TH} \cdot \delta + Z_{THtp}(1 - \delta)$$

where $\delta = t_p/T$

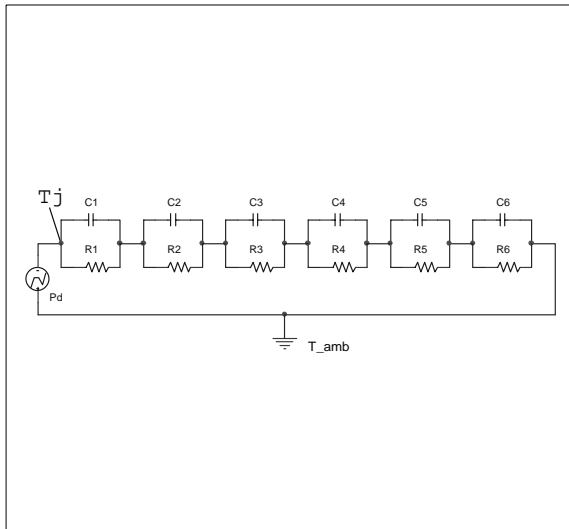
Thermal Parameter

| Area/island (cm ²) | 0.44 | 6 |
|--------------------------------|--------|----|
| R1 (°C/W) | 0.04 | |
| R2 (°C/W) | 0.25 | |
| R3 (°C/W) | 0.3 | |
| R4 (°C/W) | 2 | |
| R5 (°C/W) | 15 | |
| R6 (°C/W) | 61 | 24 |
| C1 (W.s/°C) | 0.0008 | |
| C2 (W.s/°C) | 0.007 | |
| C3 (W.s/°C) | 0.02 | |
| C4 (W.s/°C) | 0.3 | |
| C5 (W.s/°C) | 0.45 | |
| C6 (W.s/°C) | 0.8 | 5 |

SO-16L Thermal Impedance Junction Ambient Single Pulse



Thermal fitting model of a single channel HSD in SO-16L



Pulse calculation formula

$$Z_{TH\delta} = R_{TH} \cdot \delta + Z_{THtp}(1 - \delta)$$

where $\delta = t_p/T$

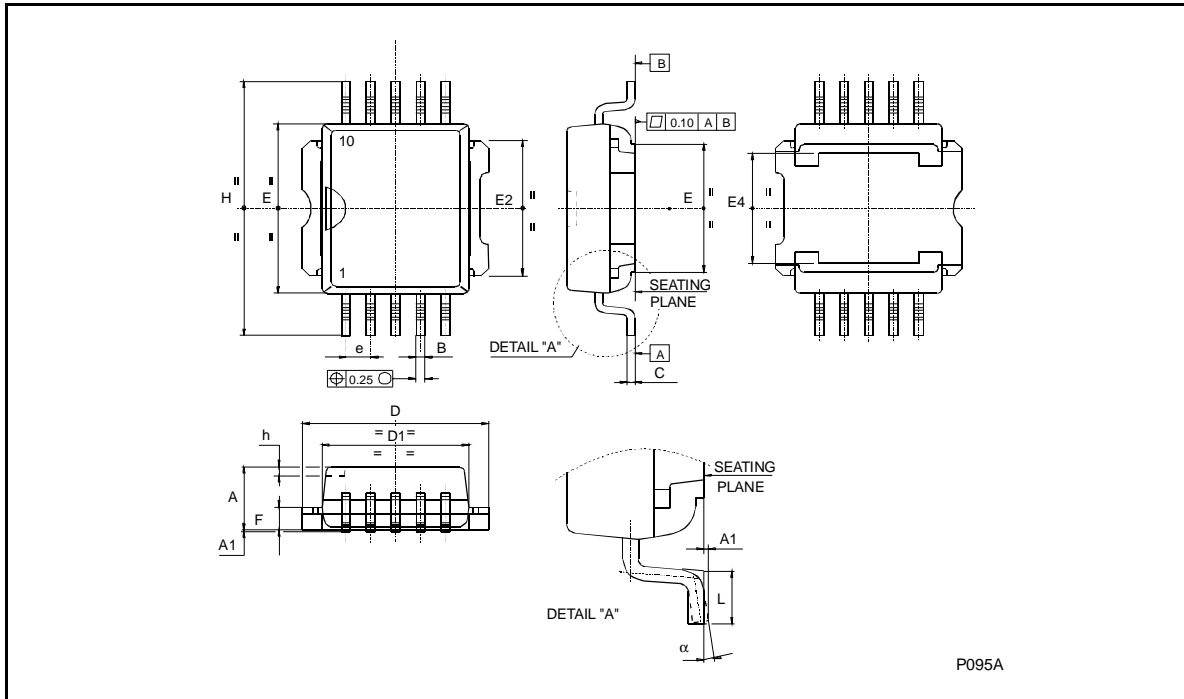
Thermal Parameter

| Area/island (cm ²) | 0.5 | 6 |
|--------------------------------|----------|----|
| R1 (°C/W) | 0.04 | |
| R2 (°C/W) | 0.25 | |
| R3 (°C/W) | 2.2 | |
| R4 (°C/W) | 12 | |
| R5 (°C/W) | 15 | |
| R6 (°C/W) | 37 | 22 |
| C1 (W.s/°C) | 0.0008 | |
| C2 (W.s/°C) | 7.00E-03 | |
| C3 (W.s/°C) | 1.50E-02 | |
| C4 (W.s/°C) | 0.14 | |
| C5 (W.s/°C) | 1 | |
| C6 (W.s/°C) | 3 | 5 |

PowerSO-10™ MECHANICAL DATA

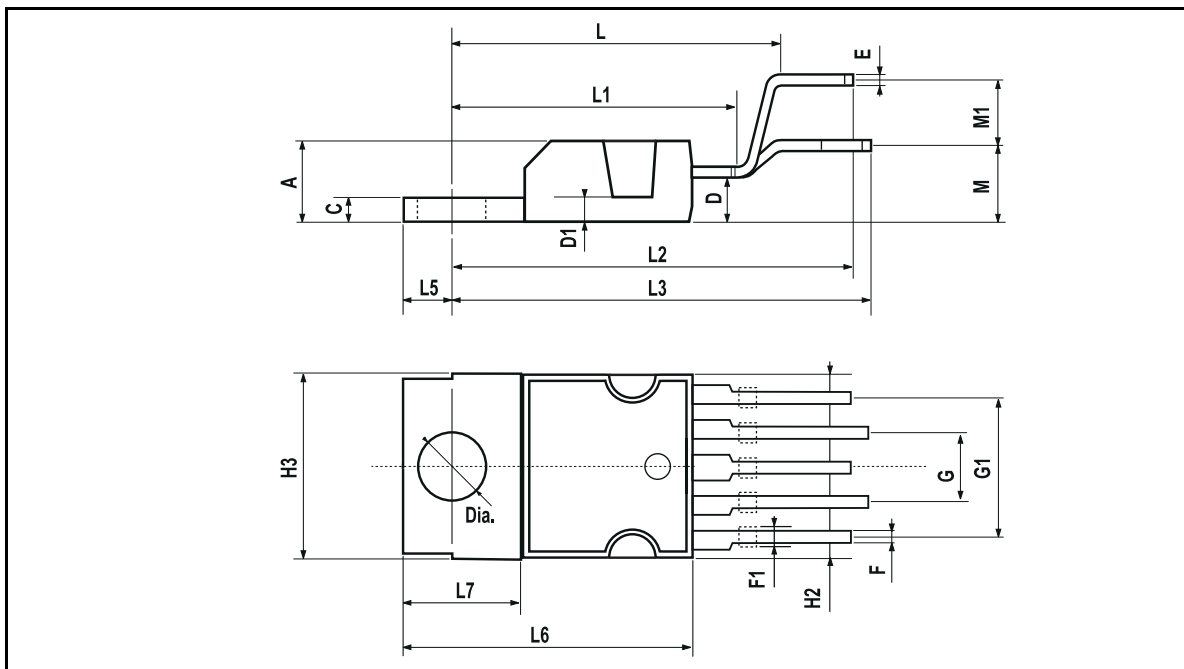
| DIM. | mm. | | | inch | | |
|--------|-------|------|-------|-------|-------|--------|
| | MIN. | TYP. | MAX. | MIN. | TYP. | MAX. |
| A | 3.35 | | 3.65 | 0.132 | | 0.144 |
| A (*) | 3.4 | | 3.6 | 0.134 | | 0.142 |
| A1 | 0.00 | | 0.10 | 0.000 | | 0.004 |
| B | 0.40 | | 0.60 | 0.016 | | 0.024 |
| B (*) | 0.37 | | 0.53 | 0.014 | | 0.021 |
| C | 0.35 | | 0.55 | 0.013 | | 0.022 |
| C (*) | 0.23 | | 0.32 | 0.009 | | 0.0126 |
| D | 9.40 | | 9.60 | 0.370 | | 0.378 |
| D1 | 7.40 | | 7.60 | 0.291 | | 0.300 |
| E | 9.30 | | 9.50 | 0.366 | | 0.374 |
| E2 | 7.20 | | 7.60 | 0.283 | | 300 |
| E2 (*) | 7.30 | | 7.50 | 0.287 | | 0.295 |
| E4 | 5.90 | | 6.10 | 0.232 | | 0.240 |
| E4 (*) | 5.90 | | 6.30 | 0.232 | | 0.248 |
| e | | 1.27 | | | 0.050 | |
| F | 1.25 | | 1.35 | 0.049 | | 0.053 |
| F (*) | 1.20 | | 1.40 | 0.047 | | 0.055 |
| H | 13.80 | | 14.40 | 0.543 | | 0.567 |
| H (*) | 13.85 | | 14.35 | 0.545 | | 0.565 |
| h | | 0.50 | | | 0.002 | |
| L | 1.20 | | 1.80 | 0.047 | | 0.070 |
| L (*) | 0.80 | | 1.10 | 0.031 | | 0.043 |
| α | 0° | | 8° | 0° | | 8° |
| α (*) | 2° | | 8° | 2° | | 8° |

(*) Muar only POA P013P



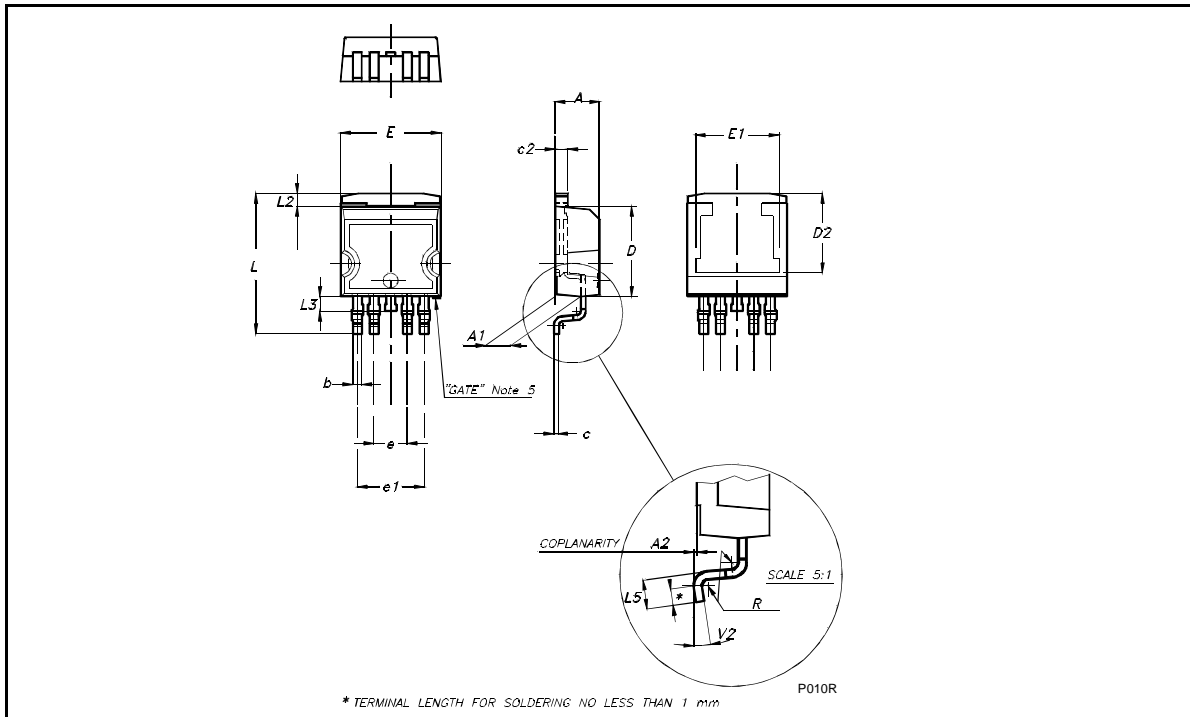
PENTAWATT (VERTICAL) MECHANICAL DATA

| DIM. | mm. | | | inch | | |
|-------|-------|-------|------|-------|-------|-------|
| | MIN. | TYP. | MAX. | MIN. | TYP. | MAX. |
| A | | | 4.8 | | | 0.189 |
| C | | | 1.37 | | | 0.054 |
| D | 2.4 | | 2.8 | 0.094 | | 0.110 |
| D1 | 1.2 | | 1.35 | 0.047 | | 0.053 |
| E | 0.35 | | 0.55 | 0.014 | | 0.022 |
| F | 0.8 | | 1.05 | 0.031 | | 0.041 |
| F1 | 1 | | 1.4 | 0.039 | | 0.055 |
| G | 3.2 | 3.4 | 3.6 | 0.126 | 0.134 | 0.142 |
| G1 | 6.6 | 6.8 | 7 | 0.260 | 0.268 | 0.276 |
| H2 | | | 10.4 | | | 0.409 |
| H3 | 10.05 | | 10.4 | 0.396 | | 0.409 |
| L | | 17.85 | | | 0.703 | |
| L1 | | 15.75 | | | 0.620 | |
| L2 | | 21.4 | | | 0.843 | |
| L3 | | 22.5 | | | 0.886 | |
| L5 | 2.6 | | 3 | 0.102 | | 0.118 |
| L6 | 15.1 | | 15.8 | 0.594 | | 0.622 |
| L7 | 6 | | 6.6 | 0.236 | | 0.260 |
| M | | 4.5 | | | 0.177 | |
| M1 | | 4 | | | 0.157 | |
| Diam. | 3.65 | | 3.85 | 0.144 | | 0.152 |



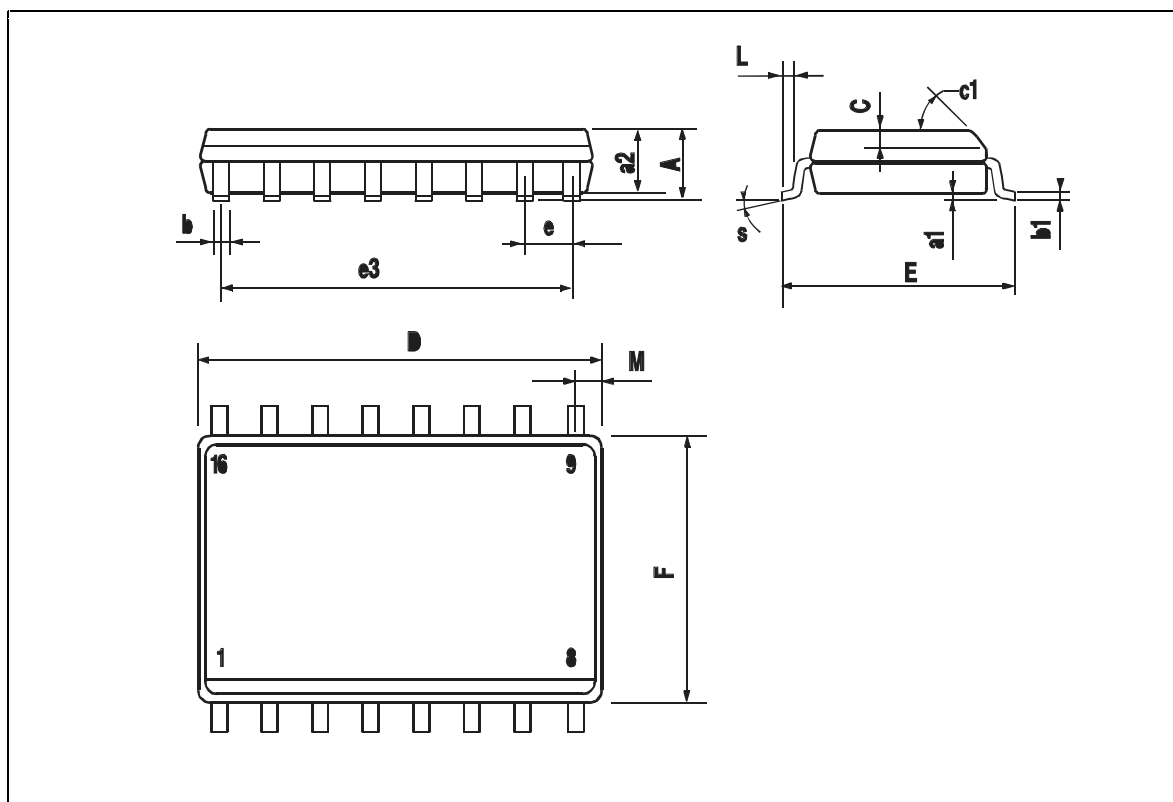
P²PAK MECHANICAL DATA

| DIM. | mm. | | |
|----------------|---------------|------|-------|
| | MIN. | TYP | MAX. |
| A | 4.30 | | 4.80 |
| A1 | 2.40 | | 2.80 |
| A2 | 0.03 | | 0.23 |
| b | 0.80 | | 1.05 |
| c | 0.45 | | 0.60 |
| c2 | 1.17 | | 1.37 |
| D | 8.95 | | 9.35 |
| D2 | | 8.00 | |
| E | 10.00 | | 10.40 |
| E1 | | 8.50 | |
| e | 3.20 | | 3.60 |
| e1 | 6.60 | | 7.00 |
| L | 13.70 | | 14.50 |
| L2 | 1.25 | | 1.40 |
| L3 | 0.90 | | 1.70 |
| L5 | 1.55 | | 2.40 |
| R | | 0.40 | |
| V2 | 0° | | 8° |
| Package Weight | 1.40 Gr (typ) | | |



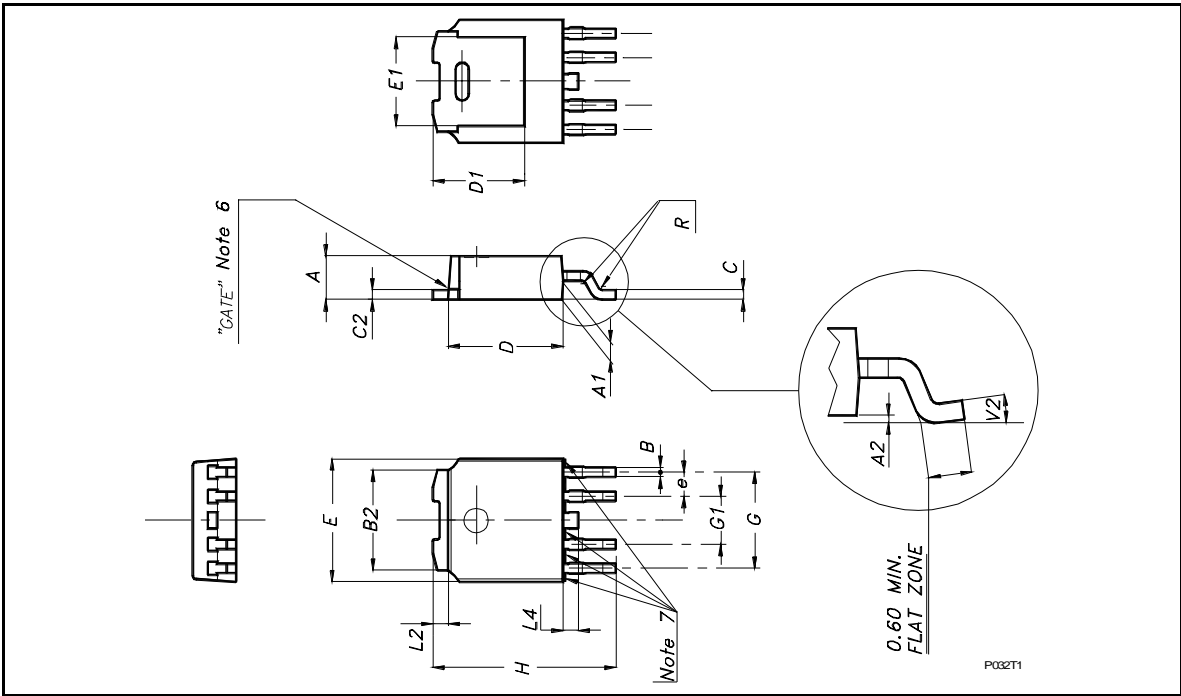
SO-16L MECHANICAL DATA

| DIM. | mm. | | | inch | | |
|------|------------|------|-------|-------|-------|-------|
| | MIN. | TYP | MAX. | MIN. | TYP. | MAX. |
| A | | | 2.65 | | | 0.104 |
| a1 | 0.1 | | 0.2 | 0.004 | | 0.008 |
| a2 | | | 2.45 | | | 0.096 |
| b | 0.35 | | 0.49 | 0.014 | | 0.019 |
| b1 | 0.23 | | 0.32 | 0.009 | | 0.012 |
| C | | 0.5 | | | 0.020 | |
| c1 | 45° (typ.) | | | | | |
| D | 10.1 | | 10.5 | 0.397 | | 0.413 |
| E | 10.0 | | 10.65 | 0.393 | | 0.419 |
| e | | 1.27 | | | 0.050 | |
| e3 | | 8.89 | | | 0.350 | |
| F | 7.4 | | 7.6 | 0.291 | | 0.300 |
| L | 0.5 | | 1.27 | 0.020 | | 0.050 |
| M | | | 0.75 | | | 0.029 |
| S | 8° (max.) | | | | | |

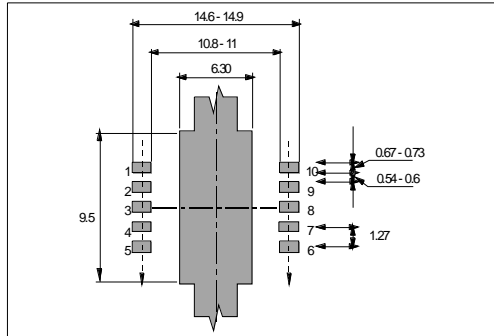


PPAK MECHANICAL DATA

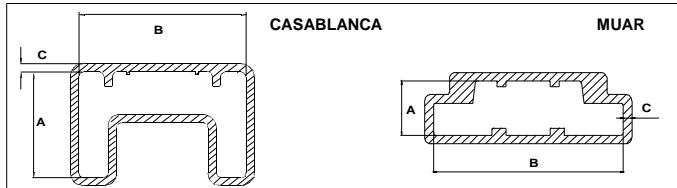
| DIM. | MIN. | TYP | MAX. |
|----------------|---------|------|-------|
| A | 2.20 | | 2.40 |
| A1 | 0.90 | | 1.10 |
| A2 | 0.03 | | 0.23 |
| B | 0.40 | | 0.60 |
| B2 | 5.20 | | 5.40 |
| C | 0.45 | | 0.60 |
| C2 | 0.48 | | 0.60 |
| D1 | | 5.1 | |
| D | 6.00 | | 6.20 |
| E | 6.40 | | 6.60 |
| E1 | | 4.7 | |
| e | | 1.27 | |
| G | 4.90 | | 5.25 |
| G1 | 2.38 | | 2.70 |
| H | 9.35 | | 10.10 |
| L2 | | 0.8 | 1.00 |
| L4 | 0.60 | | 1.00 |
| R | | 0.2 | |
| V2 | 0° | | 8° |
| Package Weight | Gr. 0.3 | | |



PowerSO-10™ SUGGESTED PAD LAYOUT



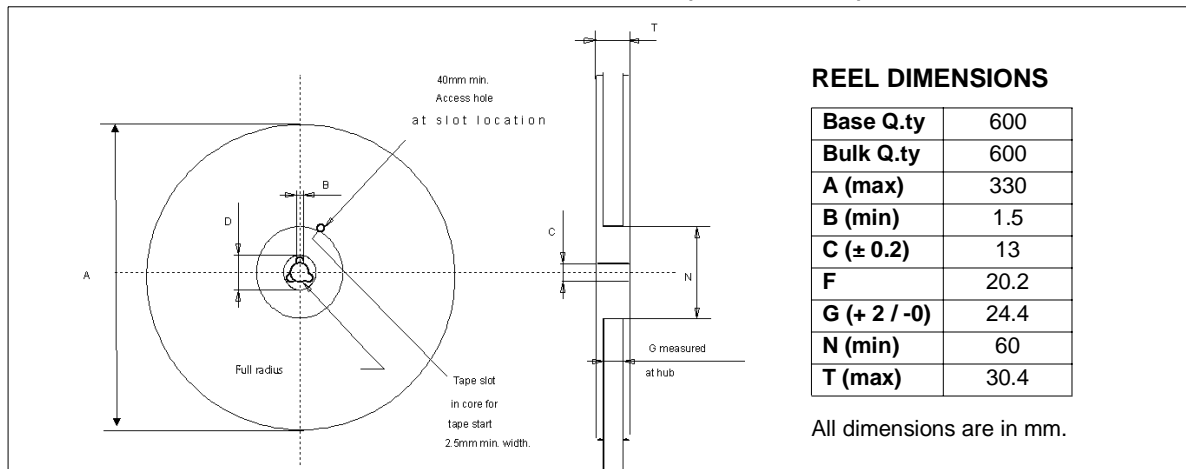
TUBE SHIPMENT (no suffix)



All dimensions are in mm.

| | Base Q.ty | Bulk Q.ty | Tube length (± 0.5) | A | B | C (± 0.1) |
|-------------------|-----------|-----------|---------------------|------|------|-----------|
| Casablanca | 50 | 1000 | 532 | 10.4 | 16.4 | 0.8 |
| Muar | 50 | 1000 | 532 | 4.9 | 17.2 | 0.8 |

TAPE AND REEL SHIPMENT (suffix "13TR")



REEL DIMENSIONS

| | |
|---------------------|------|
| Base Q.ty | 600 |
| Bulk Q.ty | 600 |
| A (max) | 330 |
| B (min) | 1.5 |
| C (± 0.2) | 13 |
| F | 20.2 |
| G (+ 2 / -0) | 24.4 |
| N (min) | 60 |
| T (max) | 30.4 |

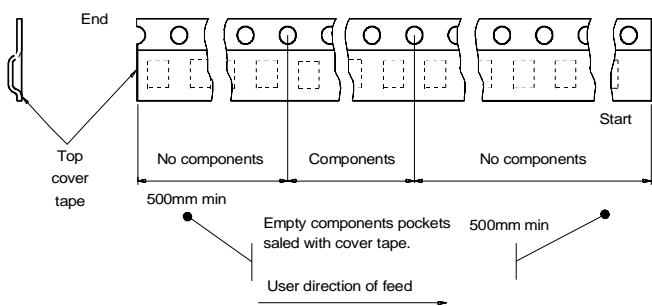
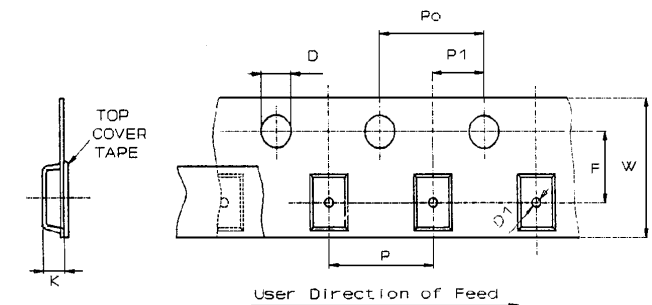
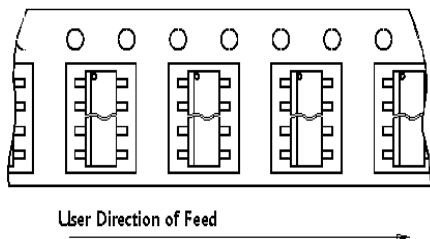
All dimensions are in mm.

TAPE DIMENSIONS

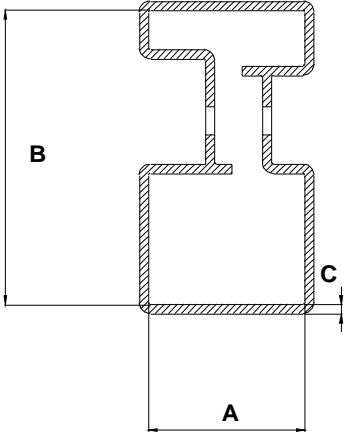
According to Electronic Industries Association (EIA) Standard 481 rev. A, Feb 1986

| | | |
|--------------------------|---------------------|------|
| Tape width | W | 24 |
| Tape Hole Spacing | P0 (± 0.1) | 4 |
| Component Spacing | P | 24 |
| Hole Diameter | D (± 0.1/-0) | 1.5 |
| Hole Diameter | D1 (min) | 1.5 |
| Hole Position | F (± 0.05) | 11.5 |
| Compartment Depth | K (max) | 6.5 |
| Hole Spacing | P1 (± 0.1) | 2 |

All dimensions are in mm.



PENTAWATT TUBE SHIPMENT (no suffix)

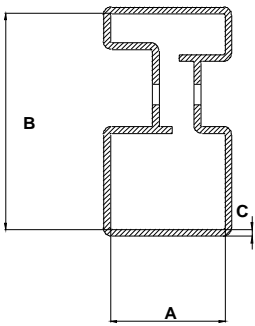


| | |
|-------------------------------------------|------|
| Base Q.ty | 50 |
| Bulk Q.ty | 1000 |
| Tube length (± 0.5) | 532 |
| A | 18 |
| B | 33.1 |
| C (± 0.1) | 1 |

All dimensions are in mm.

VN820 / VN820SO / VN820SP / VN820-B5 / VN820PT

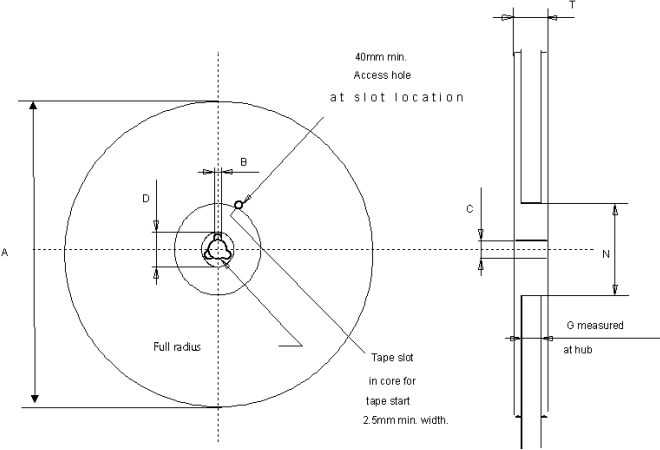
P²PAK TUBE SHIPMENT (no suffix)



| | |
|---------------------------|------|
| Base Q.ty | 50 |
| Bulk Q.ty | 1000 |
| Tube length (± 0.5) | 532 |
| A | 18 |
| B | 33.1 |
| C (± 0.1) | 1 |

All dimensions are in mm.

TAPE AND REEL SHIPMENT (suffix "13TR")



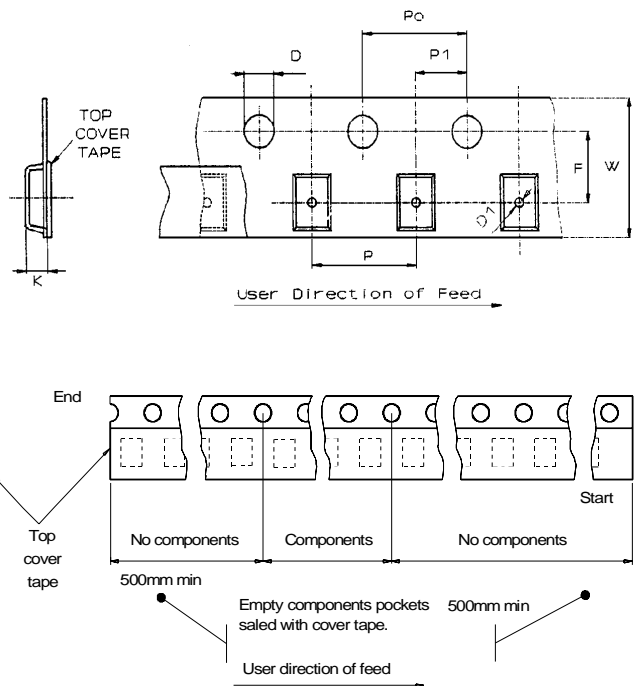
| | |
|-----------------|------|
| Base Q.ty | 1000 |
| Bulk Q.ty | 1000 |
| A (max) | 330 |
| B (min) | 1.5 |
| C (± 0.2) | 13 |
| F | 20.2 |
| G (+ 2 / - 0) | 24.4 |
| N (min) | 60 |
| T (max) | 30.4 |

All dimensions are in mm.

TAPE DIMENSIONS

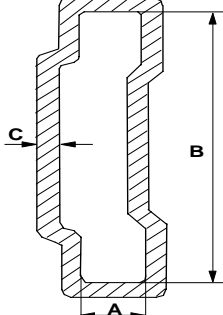
According to Electronic Industries Association (EIA) Standard 481 rev. A, Feb 1986

| | | |
|-------------------|--------------------|------|
| Tape width | W | 24 |
| Tape Hole Spacing | P0 (± 0.1) | 4 |
| Component Spacing | P | 16 |
| Hole Diameter | D ($\pm 0.1/-0$) | 1.5 |
| Hole Diameter | D1 (min) | 1.5 |
| Hole Position | F (± 0.05) | 11.5 |
| Compartment Depth | K (max) | 6.5 |
| Hole Spacing | P1 (± 0.1) | 2 |



All dimensions are in mm.

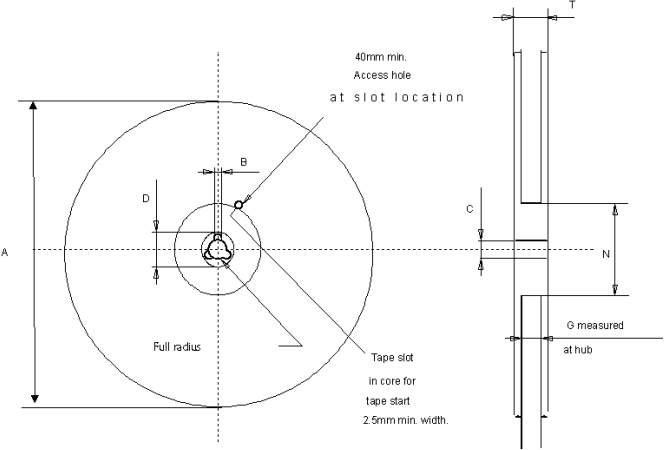
SO-16L TUBE SHIPMENT (no suffix)



| | |
|-------------------------------------------|------|
| Base Q.ty | 50 |
| Bulk Q.ty | 1000 |
| Tube length (± 0.5) | 532 |
| A | 3.5 |
| B | 13.8 |
| C (± 0.1) | 0.6 |

All dimensions are in mm.

TAPE AND REEL SHIPMENT (suffix "13TR")

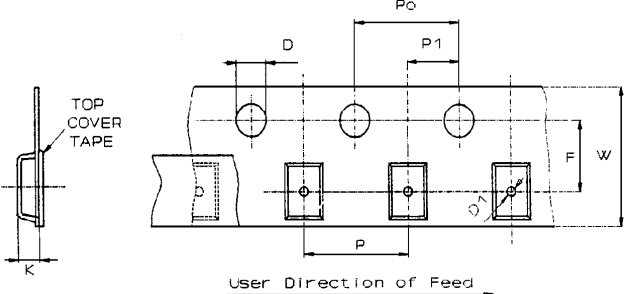


| | |
|---------------------------------|------|
| Base Q.ty | 1000 |
| Bulk Q.ty | 1000 |
| A (max) | 330 |
| B (min) | 1.5 |
| C (± 0.2) | 13 |
| F | 20.2 |
| G (+ 2 / - 0) | 16.4 |
| N (min) | 60 |
| T (max) | 22.4 |

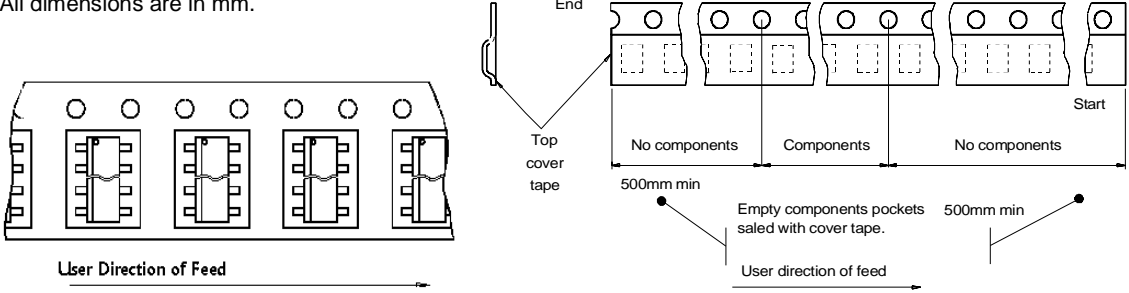
TAPE DIMENSIONS

According to Electronic Industries Association (EIA) Standard 481 rev. A, Feb 1986

| | | |
|--------------------------|------------------------------------|-----|
| Tape width | W | 16 |
| Tape Hole Spacing | P0 (± 0.1) | 4 |
| Component Spacing | P | 12 |
| Hole Diameter | D ($\pm 0.1/-0$) | 1.5 |
| Hole Diameter | D1 (min) | 1.5 |
| Hole Position | F (± 0.05) | 7.5 |
| Compartment Depth | K (max) | 6.5 |
| Hole Spacing | P1 (± 0.1) | 2 |

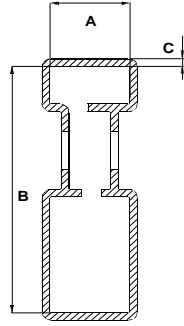


All dimensions are in mm.



VN820 / VN820SO / VN820SP / VN820-B5 / VN820PT

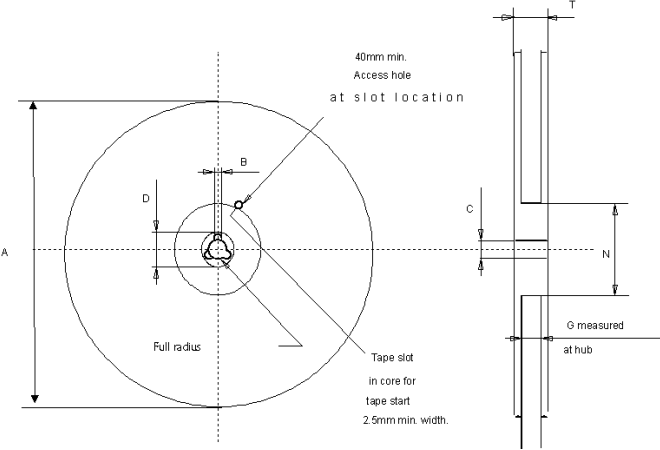
PPAK TUBE SHIPMENT (no suffix)



| | |
|---------------------------|------|
| Base Q.ty | 75 |
| Bulk Q.ty | 3000 |
| Tube length (± 0.5) | 532 |
| A | 6 |
| B | 21.3 |
| C (± 0.1) | 0.6 |

All dimensions are in mm.

TAPE AND REEL SHIPMENT (suffix "13TR")



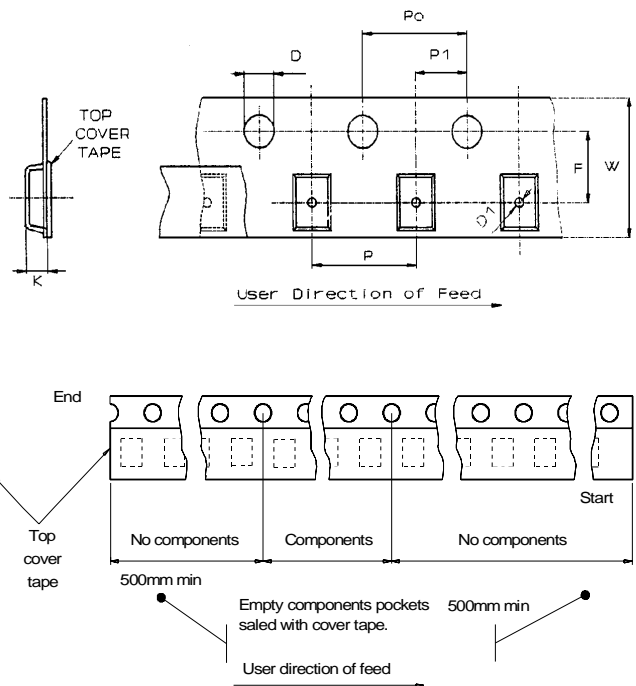
| | |
|-----------------|------|
| Base Q.ty | 2500 |
| Bulk Q.ty | 2500 |
| A (max) | 330 |
| B (min) | 1.5 |
| C (± 0.2) | 13 |
| F | 20.2 |
| G (+ 2 / -0) | 16.4 |
| N (min) | 60 |
| T (max) | 22.4 |

All dimensions are in mm.

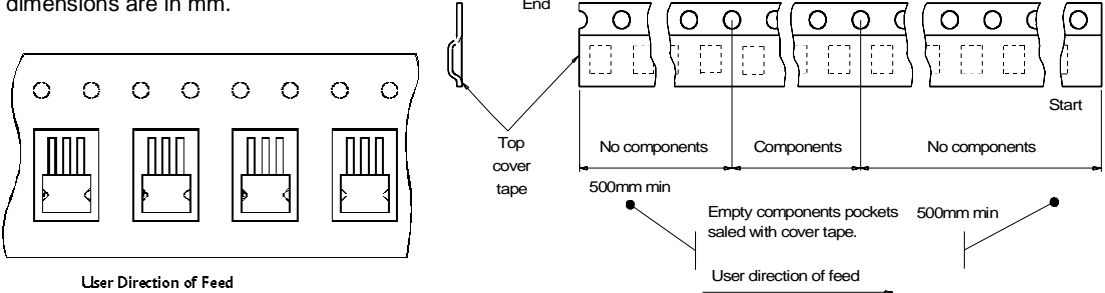
TAPE DIMENSIONS

According to Electronic Industries Association (EIA) Standard 481 rev. A, Feb 1986

| | | |
|-------------------|--------------------|-----|
| Tape width | W | 16 |
| Tape Hole Spacing | P0 (± 0.1) | 4 |
| Component Spacing | P | 8 |
| Hole Diameter | D ($\pm 0.1/-0$) | 1.5 |
| Hole Diameter | D1 (min) | 1.5 |
| Hole Position | F (± 0.05) | 7.5 |
| Compartment Depth | K (max) | 6.5 |
| Hole Spacing | P1 (± 0.1) | 2 |



All dimensions are in mm.



User Direction of Feed

500mm min
Empty components pockets sealed with cover tape.
500mm min
User direction of feed

Information furnished is believed to be accurate and reliable. However, STMicroelectronics assumes no responsibility for the consequences of use of such information nor for any infringement of patents or other rights of third parties which may result from its use. No license is granted by implication or otherwise under any patent or patent rights of STMicroelectronics. Specifications mentioned in this publication are subject to change without notice. This publication supersedes and replaces all information previously supplied. STMicroelectronics products are not authorized for use as critical components in life support devices or systems without express written approval of STMicroelectronics.
The ST logo is a trademark of STMicroelectronics

© 2003 STMicroelectronics - Printed in ITALY- All Rights Reserved.

STMicroelectronics GROUP OF COMPANIES

Australia - Brazil - Canada - China - Finland - France - Germany - Hong Kong - India - Israel - Italy - Japan - Malaysia -
Malta - Morocco - Singapore - Spain - Sweden - Switzerland - United Kingdom - U.S.A.

<http://www.st.com>