

阅读申明

- 1.本站收集的数据手册和产品资料都来自互联网，版权归原作者所有。如读者和版权方有任何异议请及时告之，我们将妥善解决。
- 2.本站提供的中文数据手册是英文数据手册的中文翻译，其目的是协助用户阅读，该译文无法自动跟随原稿更新，同时也可能存在翻译上的不当。建议读者以英文原稿为参考以便获得更精准的信息。
- 3.本站提供的产品资料，来自厂商的技术支持或者使用者的心得体会等，其内容可能存在描述上的差异，建议读者做出适当判断。
- 4.如需与我们联系，请发邮件到marketing@iczoom.com，主题请标有“数据手册”字样。

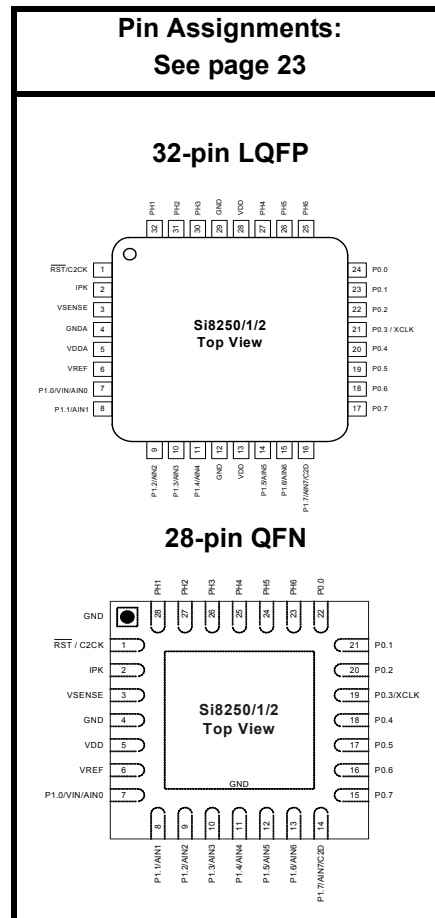
Read Statement

1. The datasheets and other product information on the site are all from network reference or other public materials, and the copyright belongs to the original author and original published source. If readers and copyright owners have any objections, please contact us and we will deal with it in a timely manner.
2. The Chinese datasheets provided on the website is a Chinese translation of the English datasheets. Its purpose is for reader's learning exchange only and do not involve commercial purposes. The translation cannot be automatically updated with the original manuscript, and there may also be improper translations. Readers are advised to use the English manuscript as a reference for more accurate information.
3. All product information provided on the website refer to solutions from manufacturers' technical support or users the contents may have differences in description, and readers are advised to take the original article as the standard.
4. If you have any questions, please contact us at marketing@iczoom.com and mark the subject with "Datasheets" .

DIGITAL POWER CONTROLLER

Features

- Single-chip, Flash-based digital power controller
 - Supports isolated and non-isolated applications
 - Enables new system capabilities such as:
 - Adaptive dead-time control for higher efficiency
 - Nonlinear control for faster transient response
 - Self diagnostics for higher reliability
 - SMBus port
- Highly-integrated control solution:
 - High-speed digital hardware control loop
 - In-system programmable supervisory processor
 - Programmable system protection functions
 - Hardware cycle-by-cycle current limiting and OCP
 - External clock and frame synchronization inputs
 - Performs system management functions, such as external power supply sequencing and fan control/monitoring
- In-system Flash programmable
 - Flash can also be used as NV memory for data storage
- Low-cost, comprehensive development tool kit includes:
 - Graphical, easy-to-use system design tools
 - Integrated development environment
 - In-system, on-line debugger
 - Turnkey isolated 35 W digital half-bridge target board
- Typical Applications
 - Isolated and non-isolated DC/DC converters
 - AC/DC converters
- Fully Pb-free and ROHS compliant packages
 - 32-pin LQFP
 - 28-pin 5x5 mm QFN
- Temp Range: -40 to +125 °C



Patents pending

Description

The Si8250/1/2 provides all control and protection functions necessary to implement highly-intelligent, fast-response power delivery and management control systems for isolated and non-isolated power supplies. Onboard processing capability enables intelligent control optimization for improved system performance and new capabilities, such as serial connectivity via the SMBus or onboard UART. The Si8250/1/2 family is in-system Flash programmable, enabling control and protection parameters, such as system regulation and protection settings, startup and shutdown modes, loop response, and modulation timing, to be readily modified. The built-in, high-speed control path provides loop updates every 100 ns and provides pulse-by-pulse current limiting and overcurrent protection, even while the internal CPU is disabled.

The Si825x family is supported by the Si8250DK development kit, which contains everything required to develop and program power supply applications with the Si825x family of digital controllers.

TABLE OF CONTENTS

<u>Section</u>	<u>Page</u>
1. Electrical Specifications	4
2. Benefits of Digital Power Control	14
3. Product Description	15
3.1. System Operation	16
3.2. Control Processor Functional Block Descriptions (Figure 1)	16
3.3. System Management Processor Functional Block Descriptions	17
4. Design Tools	18
5. Example Applications	19
5.1. Isolated DC/DC Converter	19
5.2. Single-Phase Point of Load (POL) Converter	20
6. Layout Considerations	21
7. Pin Descriptions: Si8250/1/2	23
7.1. Pin Functions	24
8. Ordering Guide	25
9. Package Outline: 32LQFP	26
10. Package Outline: 28QFN	28
Document Change List	30
Contact Information	32

1. Electrical Specifications

Table 1. Absolute Maximum Ratings*

Parameter	Conditions	Min.	Typ.	Max.	Units
Ambient temperature under bias		-55	—	+135	°C
Storage temperature		-65	—	+150	°C
Voltage on any Port0 Pin with respect to GND		-0.3	—	5.5	V
Voltage on all other pins with respect to GND		-0.3	—	4.0	V
Voltage on V _{DD} with respect to GND		-0.3	—	4.0	V
Maximum total current through V _{DD} or GND		—	—	400	mA
Maximum output current sunk by $\overline{\text{RST}}$ or any port pin		—	—	80	mA
<p>*Note: Stresses above those listed in this table may cause permanent device damage. This is a stress rating only, and functional operation of the devices at those or any conditions above those indicated in the operation listings of this specification is not implied. Exposure to maximum rating conditions for extended periods may affect device reliability.</p>					

Table 2. DC Electrical Specifications

T_A = -40 to +125 °C, V_{DD} = 2.5 V, SYSCLK = 25 MHz, PLLCLK = 200 MHz unless otherwise specified.

Parameter	Conditions	Min	Typ	Max	Units
Supply voltage		2.25	—	2.75	V
Supply current (all peripherals enabled)	Analog + Digital Supply Current.	—	26	—	mA
Lockout mode supply current	Analog + Digital Supply Current. (See Table 1)	—	300	—	μA
Digital supply current (shutdown)	Oscillator not running, V _{DD} monitor disabled	—	—	500	μA
Digital supply RAM data retention voltage		—	1.5	—	V

Table 3. Reference DAC Electrical Specifications

$T_A = -40$ to $+125$ °C, $V_{DD} = 2.5$ V, SYSCLK = 25 MHz, PLLCLK = 200 MHz unless otherwise specified.

Parameter	Conditions	Min	Typ	Max	Units
Resolution		—	—	9	Bits
LSB size		—	2.44	—	mV
Integral nonlinearity (INL)		-2	—	+2	LSB
Differential nonlinearity (DNL)		-1.0	—	+1.0	LSB
Settling time	1/2 LSB change from 0 to full scale	—	2	—	μs
Turn-on time		—	20	—	μs
Noise	2 MHz BW	—	1	—	mV _{PP}
Power supply rejection		—	70	—	db
Supply current		—	220	—	μA
Shutdown supply current		—	0.1	—	μA

Table 4. ADC0 (12-Bit ADC) Specifications

$T_A = -40$ to $+125$ °C, $V_{DD} = 2.5$ V, SYSCLK = 25 MHz, PLLCLK = 200 MHz unless otherwise specified.

Parameter	Conditions	Min	Typ	Max	Units
DC Accuracy					
Resolution		—	12	—	bits
Integral nonlinearity		—	—	±2	LSB
Differential nonlinearity	Guaranteed Monotonic	—	—	±1	LSB
Offset error		—	±3	—	LSB
Full scale error	Differential Mode	—	3	—	LSB
Offset temperature coefficient		—	13600	—	ppm/°C
Dynamic Performance (10 kHz sine-wave Single-ended input, 0 to 1 dB below Full Scale, 200 ksps)					
Signal-to-noise plus distortion		—	64	—	dB
Total harmonic distortion	Up to the 5 th harmonic	—	83	—	dB
Spurious-free dynamic range		—	-73	—	dB
Conversion Rate					
Conversion time in SAR clocks	Note 1	—	13	—	clocks
Track/Hold acquisition time	Note 2	1	—	—	µs
Throughput rate		—	—	200	ksps
Analog Inputs					
Input voltage range		0	—	V_{REF}	V
Input capacitance		—	15	—	pF
Temperature Sensor					
Linearity	Notes 3, 4	—	±0.2	—	°C
Gain	Notes 3, 4	—	1353	—	µV/°C
Offset	Notes 3, 4 (Temp = 0 °C)	—	488	—	mV
Power Specifications					
Power supply current (V_{DD} supplied to ADC0)	Operating Mode, 200 ksps	—	780	—	µA
Power-on time	After V_{REF} settle, before tracking begins	—	5	—	µs
Power supply rejection		—	0.7	—	mV/V

Notes:

1. An additional two F_{CLK} cycles are required to start and complete a conversion.
2. Additional tracking time may be required depending on the output impedance connected to the ADC input.
3. Represents one standard deviation from the mean.
4. Includes ADC offset, gain, and linearity variations.

Table 5. ADC1 Specifications

TA = -40 to +125 °C, V_{DD} = 2.5 V, SYSCLK = 25 MHz, PLLCLK = 200 MHz unless otherwise specified.

Parameter	Conditions	Min	Typ	Max	Units
Sampling frequency	ADCSP1 = 0 ADCSP2 = 0	—	10	—	Mps
	ADCSP1 = 1 ADCSP2 = 0	—	5	—	
	ADCSP1 = 0 ADCSP2 = 1	—	2.5	—	
	ADCSP1 = 1 ADCSP2 = 1	—	1.25	—	
Resolution		—	—	6	Bits
LSB size		4	—	20	mV
Differential input voltage range	*	-32	—	+31	LSB
Common-mode input voltage range		0.8	—	1.3	V
Integral nonlinearity		-2	—	+2	LSB
Differential nonlinearity		-1	—	+1	LSB
Gain error		—	5	—	%
Offset error		—	3	—	mV
Input bias current		—	5	—	μA
Standby mode supply current	Disabled	—	0.1	—	μA
Operating mode supply current		—	—	3	mA

***Note:** LSB size (mV) is programmable using the RES[3:0] bits in the ADC1CN register.

Table 6. DSP Filter Engine Electrical Specifications

T_A = -40 to +125 °C, V_{DD} = 2.5 V, SYSCLK = 25 MHz, PLLCLK = 200 MHz unless otherwise specified.

Parameter	Conditions	Min	Typ	Max	Units
Resolution ¹		—	—	9	Bits
Dithering ²		—	—	6	Bits
Standby mode supply current	Disabled	—	0.1	—	μA

Notes:

1. Internal word length = 22 bits.
2. Up to a total 15 bits of resolution when dithering is enabled.

Table 7. Peak Current Limit Detector Electrical Specifications

$T_A = -40$ to $+125$ °C, $V_{DD} = 2.5$ V, $SYSCLK = 25$ MHz, $PLLCLK = 200$ MHz unless otherwise specified.

Parameter	Conditions	Min	Typ	Max	Units
IPK input to DPWM output latency	10 mV Overdrive	—	45	—	ns
Threshold detector voltage	VT[3:0] = 0000	35	50	65	mV
	VT[3:0] = 0001	85	100	115	
	VT[3:0] = 0010	135	150	165	
	VT[3:0] = 0011	185	200	215	
	VT[3:0] = 0100	235	250	265	
	VT[3:0] = 0101	285	300	315	
	VT[3:0] = 0110	335	350	365	
	VT[3:0] = 0111	485	400	415	
	VT[3:0] = 1000	435	450	465	
	VT[3:0] = 1001	485	500	515	
	VT[3:0] = 1010	535	550	565	
	VT[3:0] = 1011	585	600	615	
	VT[3:0] = 1100	635	650	665	
	VT[3:0] = 1101	685	700	715	
	VT[3:0] = 1110	735	750	765	
	VT[3:0] = 1111	785	800	815	
Hysteresis	HYST[1:0] = 00	—	0	—	mV
	HYST[1:0] = 01	—	5	—	
	HYST[1:0] = 10	—	10	—	
	HYST[1:0] = 11	—	20	—	
Blanking time	LEB[1:0] = 00, $f_{PLL} = 200$ MHz	—	0	—	ns
	LEB[1:0] = 01, $f_{PLL} = 200$ MHz	—	20	—	
	LEB[1:0] = 10, $f_{PLL} = 200$ MHz	—	40	—	
	LEB[1:0] = 11, $f_{PLL} = 200$ MHz	—	80	—	
Input capacitance		—	4.5	—	pF
Input bias current		—	0.1	—	μA
Shutdown supply current	Enable bit = 0	—	0.1	—	μA
Active supply current	IIN = (Vt + 100 mVpp), 1.5 MHz square wave	—	100	—	μA

Table 8. DPWM Specifications

$T_A = -40$ to $+125$ °C, $V_{DD} = 2.5$ V, SYSCLK = 25 MHz, PLLCLK = 200 MHz unless otherwise specified.

Parameter	Conditions	Min	Typ	Max	Units
Clock frequency	DPWMSP[4:3] = 00	—	—	200	MHz
	DPWMSP[4:3] = 01	—	—	50	
	DPWMSP[4:3] = 1x	—	—	25	
Resolution	No dithering	—	—	9	Bits
	Dithering enabled	—	—	15	
Time resolution	DPWMSP[4:3] = 00	5	—	—	ns
	DPWMSP[4:3] = 01	20	—	—	
	DPWMSP[4:3] = 1x	40	—	—	
SYNC pulse set-up time	SYNC signal minimum LOW time before positive transition	3	—	—	DPWM Clock Cycles
PH rise, fall time	50 pF on pin	—	—	5	ns
Output resistance high	$I_{OUT} = -5$ mA	—	75	—	Ω
Output resistance low	$I_{OUT} = 8$ mA	—	40	—	Ω
Shutdown supply current		—	—	0.1	μ A

Table 9. Bandgap Voltage Reference Specs

$T_A = -40$ to $+125$ °C, $V_{DD} = 2.5$ V, SYSCLK = 25 MHz, PLLCLK = 200 MHz unless otherwise specified.

Parameter	Conditions	Min	Typ	Max	Units
Output voltage		—	1.20	—	V
Temperature stability		-1	—	+1	%
Turn-on response	(0.01%, 4.7 μ F)	—	6.5	—	ms
	no load	—	2	—	μ s
Noise	4.7 μ F	—	2	—	μ V (RMS)
Bandgap current		—	60	—	μ A
Reference buffer current		—	30	—	μ A
Power supply rejection		—	50	—	dB

Table 10. Comparator0 Specifications

$T_A = -40$ to $+125$ °C, $V_{DD} = 2.5$ V, SYSCLK = 25 MHz, PLLCLK = 200 MHz unless otherwise specified.

Parameter	Conditions	Min	Typ	Max	Units
V_{IN}		0	—	V_{DD}	V
Low-speed supply current		—	8	—	μ A
Full-speed supply current		—	225	—	μ A
Hysteresis	CP0HYP[1:0] = 00	—	0	—	mV
	CP0HYP[1:0] = 01	—	7	—	
	CP0HYP[1:0] = 10	—	14	—	
	CP0HYP[1:0] = 11	—	28	—	
	CP0HYN[1:0] = 00	—	0	—	
	CP0HYN[1:0] = 01	—	-7	—	
	CP0HYN[1:0] = 10	—	-14	—	
	CP0HYN[1:0] = 11	—	-28	—	
Response time	Low power mode, 25 mv overdrive	—	180	—	ns
	High-speed mode, 25 mv overdrive	—	25	—	
Input capacitance		—	5	—	pF
CMRR		—	50	—	db
Input offset		—	5	—	mV

Table 11. Reset Electrical Characteristics

$T_A = -40$ to $+125$ °C, $V_{DD} = 2.5$ V, SYSCLK = 25 MHz, PLLCLK = 200 MHz unless otherwise specified.

Parameter	Conditions	Min	Typ	Max	Units
$\overline{\text{RST}}$ output low voltage	$I_{OL} = 8.5$ mA, $V_{DD} = 2.5$ V	—	—	0.7	V
$\overline{\text{RST}}$ input high voltage		$0.7 \times V_{DD}$	—	—	V
$\overline{\text{RST}}$ input low voltage		—	—	$0.3 \times V_{DD}$	V
$\overline{\text{RST}}$ input pull-up current	$\overline{\text{RST}} = 0.0$	—	25	45	μA
V_{DD} POR threshold		2.0	2.1	2.2	V
Missing clock detector timeout	Time from last system clock rising edge to start of reset	—	250	650	μs
Reset time delay	Delay between release of any reset source and code execution at location 0x0000	5.0	—	—	μs
Minimum $\overline{\text{RST}}$ low time to generate a System Reset		6.5	—	—	μs
V_{DD} monitor turn-on time		100	—	—	μs
V_{DD} monitor supply current		—	40	—	μA

Table 12. Flash Electrical Characteristics

$T_A = -40$ to $+125$ °C, $V_{DD} = 2.25$ to 2.75 V, SYSCLK = 25 MHz, PLLCLK = 200 MHz unless otherwise specified.

Parameter	Conditions	Min	Typ	Max	Units
Flash size	Si8250	32768*	—	—	bytes
	Si8251, Si8252	16384*	—	—	
Endurance		10 k	100 k	—	Erase/Write
Read cycle time		40	—	—	ns
Erase cycle time	50 MHz system clock	32	—	48	ms
Write cycle time	50 MHz system clock	76	—	114	μs

***Note:** The last 512 bytes of memory are reserved.

Table 13. Port I/O DC Electrical Characteristics

$T_A = -40$ to $+125$ °C, SYSCLK = 25 MHz, PLLCLK = 200 MHz unless otherwise specified.

Parameters	Conditions	Min	Typ	Max	Units
Port0 input voltage tolerance	push-pull	—	—	$V_{DD} + 0.7$	V
	open-drain	—	—	5.5	
Port1 input voltage tolerance		—	—	$V_{DD} + 0.7$	
Output high voltage	$I_{OH} = -3$ mA, Port I/O push-pull	$V_{DD} - 0.4$	—	—	V
	$I_{OH} = -10$ μ A, Port I/O push-pull	$V_{DD} - 0.1$	—	—	
	$I_{OH} = -10$ mA, Port I/O push-pull	—	$V_{DD} - 0.8$	—	
Output low voltage	$I_{OL} = 8.5$ mA	—	—	0.6	V
	$I_{OL} = 10$ μ A	—	—	0.1	
	$I_{OL} = 25$ mA	—	1.25	—	
Input high voltage		$(0.7) V_{DD}$	—	—	V
Input low voltage		—	—	$(0.3) V_{DD}$	V
Input leakage current	Weak Pullup Off	—	—	± 10	μ A
	Weak Pullup On, $V_{IN} = 0$ V	—	20	50	

Table 14. PLL Specifications

$T_A = -40$ to $+125$ °C, $V_{DD} = 2.5$ V, SYSCLK = 25 MHz, PLLCLK = 200 MHz unless otherwise specified.

Parameter	Conditions	Min	Typ	Max	Units
Stabilization time		—	30	—	μ s
Input frequency range		15	—	25	MHz
PLL frequency		—	200	—	MHz
Cycle-to-cycle jitter		—	250	—	ps
Supply current		—	15	—	mA
Shutdown current		—	0.1	—	μ A

Table 15. 25MHz Oscillator Specifications

$T_A = -40$ to $+125$ °C, $V_{DD} = 2.5$ V, SYSCLK = 25 MHz, PLLCLK = 200 MHz unless otherwise specified.

Parameter	Conditions	Min	Typ	Max	Units
Frequency		24	24.5	25	MHz
Start-up time		—	100	—	μs
Power supply sensitivity		—	0.3	—	%/V
Temperature coefficient		—	50	—	PPM/°C
Supply current		—	450	—	μA
Shutdown current		—	0.1	—	μA

Table 16. Low Frequency Oscillator (LFO) Specifications

$T_A = -40$ to $+125$ °C, $V_{DD} = 2.5$ V, SYSCLK = 25 MHz, PLLCLK = 200 MHz unless otherwise specified.

Parameter	Conditions	Min	Typ	Max	Units
Frequency		—	80	—	kHz
Start-up time		—	100	—	μs
Power supply sensitivity		—	1.7	—	%/V
Temperature coefficient		—	1000	—	PPM/°C
Supply current		—	4	—	μA
Shutdown current		—	0.1	—	μA

2. Benefits of Digital Power Control

Digitally-controlled power systems have the following key advantages over analog implementations:

- **In-system programmability**: Virtually all aspects of digital controller behavior can be changed in software locally or remotely and without hardware modification. This benefits the system in several ways:
 - Hardware designs can be segregated into base platforms (for example, by form factor or output power), and optimized to the end application in software. This lowers development costs by reducing the total number of hardware designs required to address a given application segment.
 - The controller's ability to readily accept changes enables low-cost, custom power supply versions with relatively short lead-times.
 - The cost and risk of field configuration and/or updating is greatly reduced, lowering the overhead associated with customer support.
- **More advanced control algorithms**: Power supply design with fixed-function analog components leads to many performance trade-offs. For example, analog compensator design routinely trades stability for higher loop bandwidth and places the required poles and zeros using passive components. The "if-then-else" decision-making capability of digital control can change loop bandwidth as needed for optimum control response. For example, the controller can operate the compensator at a relatively low bandwidth during steady-state operation, but significantly extend bandwidth during a transient. This adaptive response concept can be applied to improve other operating parameters, such as efficiency.
- **Power Efficiency Optimization**: In a switched mode power supply, it is desirable to maintain high power efficiency over a wide range of loads. Software algorithms can optimize efficiency at every point of line and load. For example, the software can adjust dead time with changing load, disable synchronous rectification at low loads, or take other measures to maximize efficiency.
- **Higher operating precision**: Switch timing, control response, and protection setting thresholds in analog systems are typically determined by the values of external passive components. These components typically have a wide tolerance and vary with temperature and time. Designers must allow for these tolerances when considering worst-case operating conditions. Digital control offers tighter parameter tolerances with greatly reduced temperature/time variations, resulting in improved worst-case operating specifications.
- **Power management and power delivery functions in a single package**: Power management functions, such as external supply sequencing and fan control can be performed by the digital controller, eliminating dedicated external components.
- **System connectivity**: Communication protocols enable system processors to communicate with the power supply to obtain data and command action. For example, the system processor may request the power supply operating history, perform self-diagnostics, or change system settings without taking the supply off-line. Communication with the system controller enables notification of a pending power supply failure, enhancing system reliability. This attribute also reduces the cost and complexity of field configurations and upgrades.
- **Higher integration/smaller size/lower cost**: Many discrete circuits can be transformed to lines of software code, eliminating components and lowering cost. The digital controller can be used to execute self-diagnostic routines during production test, thereby reducing test time and lowering cost. The small physical size of the Si8250 in particular (5 x 5 mm) saves board space.

3. Product Description

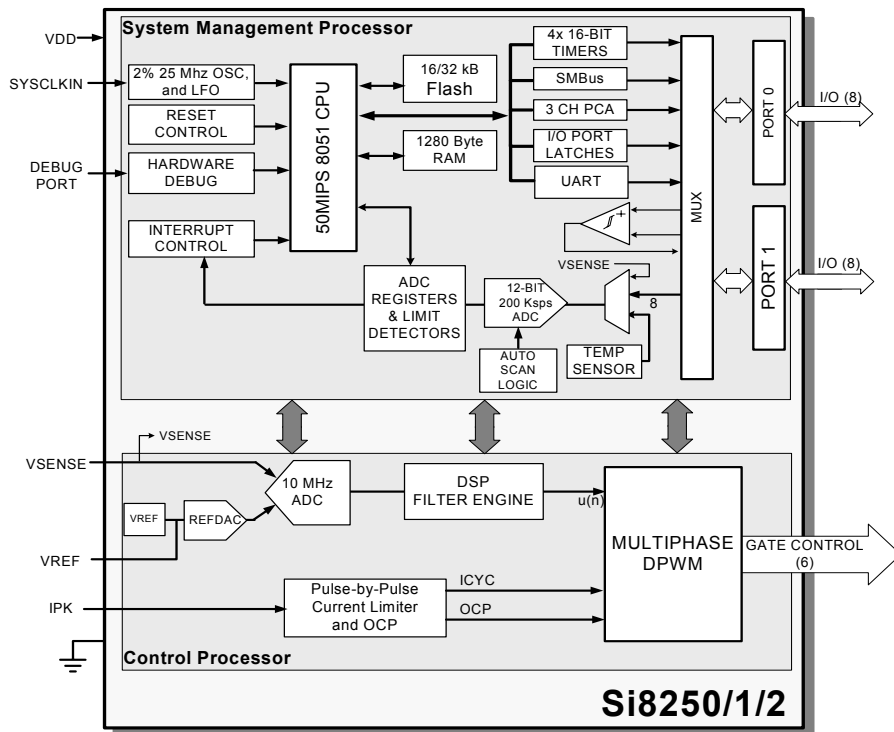


Figure 1. Functional Block Diagram

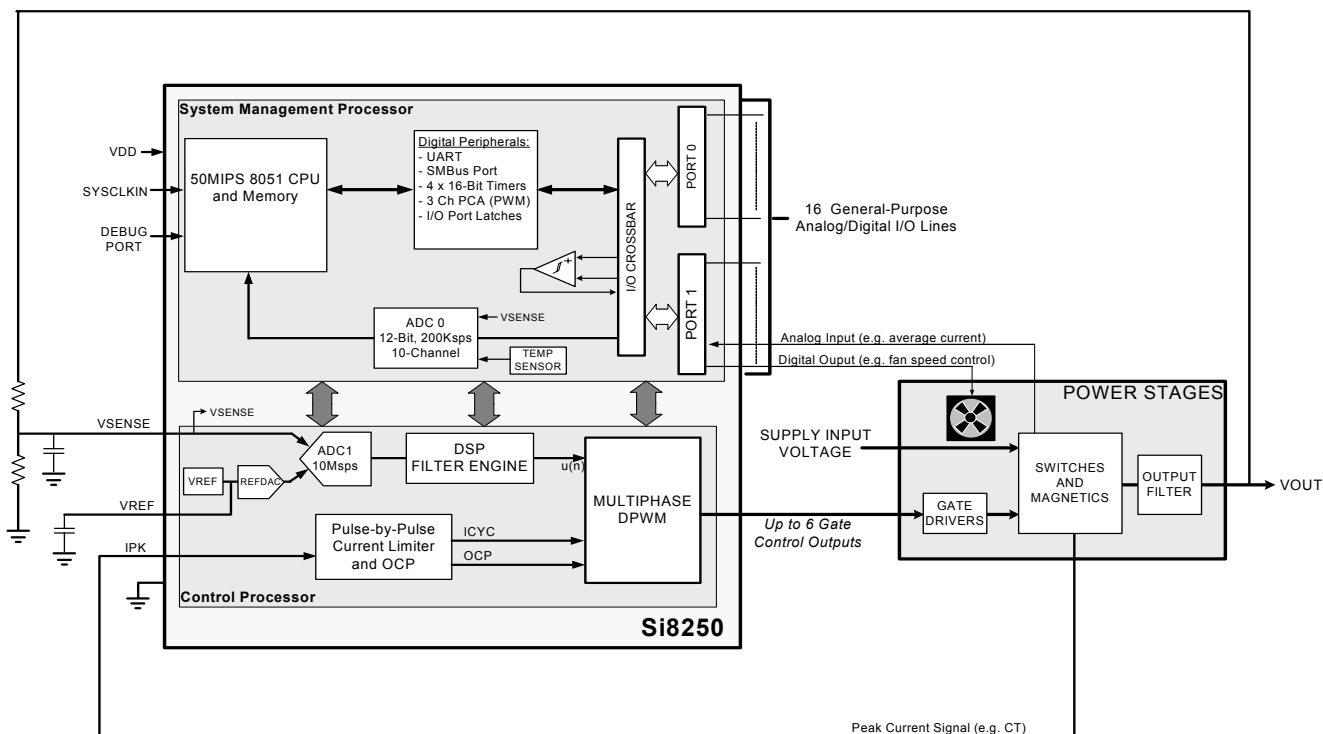


Figure 2. Si8250 Top-Level Block Diagram

3.1. System Operation

Figure 2 shows the Si8250/1/2 controlling a non-isolated dc/dc converter operating in digital voltage mode control. The output voltage signal connects to the V_{SENSE} input through a resistive divider, limiting the common-mode voltage range applied to ADC1 to a maximum of V_{REF} . The equivalent resistance of the divider and the capacitor form an anti-aliasing filter with a cutoff frequency equal to ADC1 sampling frequency divided by 2 (the amplitudes of frequencies above $fS/2$ must be minimized to prevent aliasing).

Differential ADC1 and the DSP Filter Engine together perform the same function as an analog error amplifier and associated RC compensation network. ADC1 digitizes the difference between the scaled output voltage and a programmable reference voltage provided by the REFDAC. The ADC1 output signal is frequency-compensated (in the digital domain) by the DSP Filter Engine. The resulting output from the DSP Filter Engine is a digital code that represents the compensated duty cycle ratio, $u(n)$. The digital PWM generator (DPWM) directly varies output timing to the external gate drivers based on the value of $u(n)$ until the difference between V_{SENSE} and the ADC1 reference level is driven to zero.

Sensing circuitry within the power stages (current transformer, sense amp, etc.) provides a signal representative of inductor or transformer current. This signal connects to the pulse-by-pulse current-limiting hardware in the Si8250/1/2 via the IPK input pin. This current-limiting circuitry is similar to that found in a voltage mode analog PWM. It contains a fast analog comparator and a programmable leading-edge blanking circuit to prevent unwanted tripping of the current-sensing circuitry on the leading edge of the current pulse. Current limiting occurs when the sensed current exceeds the programmed threshold. When this occurs, the ongoing active portions of the PWM outputs are terminated. A programmable OCP counter keeps track of the number of consecutive current limit cycles and automatically shuts the supply down when the accumulated number of limit cycles exceeds the programmed maximum.

The System Management Processor is based on a 50 million instruction per second (MIPS) 8051 CPU and dedicated A/D converter (ADC0). ADC0 digitizes key analog parameters that are used by the MCU to provide protection and manage and control other aspects of the power system. Onboard digital peripherals include timers, an SMBus interface port, and a universal asynchronous receiver/transmitter (UART) for serial communications (useful for communicating across an isolation boundary).

The System Management Processor serves several purposes:

1. Continuously optimizes Control Processor operation (e.g. efficient optimization)
2. Executes user-specific algorithms (e.g. support for proprietary system interfaces)
3. Provides regulation for low-bandwidth system variables (e.g. V_{IN} feed-forward)
4. Performs system fault detection and recovery
5. Provides system housekeeping functions, such as SMBus communication support
6. Manages external device functions (e.g. external supply sequencing, fan control/monitoring)

Si8250/1/2 system development requires using the Si8250DK, a comprehensive development kit providing all required hardware and software for control system design. It comes complete with prewritten and verified application software and a set of tools that enable the user to adapt this software to the end application. It also includes a turnkey isolated half-bridge dc/dc converter based on the Si8250/1/2 for evaluation and experimentation.

3.2. Control Processor Functional Block Descriptions (Figure 1)

3.2.1. ADC 1

Differential input, 10 Msps control loop analog-to-digital converter. ADC1 digitizes the difference between the V_{SENSE} input and the programmable voltage reference level from the REFDAC. ADC1 can be operated at 1.25, 2.5, 5, or 10 Msps and has a programmable LSB size to prevent limit cycle oscillation (Limit cycle oscillation can also be avoided using dithering to increase DPWM resolution). ADC1 has programmable conversion rates of 1.25, 2.5, 5, or 10 Msps to accommodate a wide loop gain range. ADC1 also contains a hardware transient detector that interrupts the CPU at the onset of an output load or unload transient. The CPU responds by executing specific algorithms to accelerate output recovery. These algorithms may include increasing loop bandwidth or other measures.

3.2.2. REFDAC

9-bit digital-to-analog converter provides the output voltage reference setting. The REFDAC uses the onboard band gap as its voltage reference, or it can be referenced to an external voltage reference source. REFDAC is used for output voltage calibration, margining, and positioning. The CPU continuously manages the REFDAC during soft-start and soft-stop.

3.2.3. DSP Filter Engine

This two-stage loop compensation filter is the functional equivalent of an active RC compensation in an analog

control scheme. The first filter stage is a PID filter providing one pole and two zeros. The second stage is selectable: a two-pole, low-pass filter (LPF) for the fastest possible response, or a SINC (multiple zero) decimation filter for quieter operation. The PID plus the LPF result in a three-pole, two-zero composite filter, while the PID plus the SINC results in a single-pole, multiple-zero composite filter. The SINC filter provides zeros at intervals equal to $f_s/(2*DEC)$ where DEC is the decimation ratio (i.e. ratio of input to output sampling rate). DEC is a software-programmable parameter and can be programmed such that zero placement occurs at the PWM frequency and its harmonics. This creates more than 100 dB attenuation at these frequencies providing lower system noise levels. The end-to-end response of the filter is defined using only six software parameters and can be reprogrammed during converter operation to implement nonlinear control response for improved transient resolution.

As described in the ADC1 section above, limit cycle oscillation can be avoided by increasing ADC1 LSB size to allow the DPWM LSB to fit within a single ADC1 output code (i.e. zero-error bin). However in some applications, it may not be desirable to lower ADC1 sensitivity. For such applications, limit cycle oscillation can be avoided by dithering the DPWM output. The DSP Filter Engine contains a pseudo-random, broadband noise generator - mixing this noise into the filter output randomly moves the gate control output(s) over a range of 1 LSB, such that the time-averaged resolution of the DPWM is increased.

The filter response is programmed using S-domain design tools included in the Si8250DK development kit, greatly minimizing software writing tasks.

3.2.4. Pulse-by-pulse Current Limiter/OCP

High-speed comparator with 4-bit DAC threshold generator and 2-bit programmable leading-edge blanking delay generator. The comparator output causes the DPWM to terminate the on-going portions of the active outputs when the peak current signal applied to the IPK input exceeds the threshold setting. Hardware performs an OCP supply shutdown when the number of consecutive current limit events equals a programmed maximum.

3.2.5. DPWM

Output generator may be programmed for pulse width (PWM) or phase-shift modulation using design tools contained in the Si8250DK design kit. The DPWM may be modulated by the front-end of the Control Processor (ADC1 and DSP Filter Engine); or by the CPU. The DPWM has individually programmable stop states for supply off (disable) and OCP. Software bypass mode allows the CPU to force selected outputs high or low

while the remaining outputs continue normal operation. The DPWM includes an external SYNC input and ENABLE input, both of which can be connected to the I/O pins. The Enable is a logic input used to turn the power supply on and off. It can be configured to be active high or active low. The SYNC input allows the start of each switching cycle to be synchronized to an external clock source, including another Si8250/1/2.

3.3. System Management Processor Functional Block Descriptions

3.3.1. ADC0

Self-sequencing, 10-input, 200 Ksps analog-to-digital converter. This general-purpose ADC acquires other analog system parameters for supplemental control by the CPU (e.g. dead time control using average input current as the control variable). ADC0 also converts the output of the on-board temperature sensor. Eight of the ten analog inputs may be connected to the I/O pins for external interface. The remaining two analog inputs (V_{SENSE} and Temp Sensor) are internally connected. When placed in Auto Sequencing mode, ADC0 automatically converts, stores and limit-checks each analog input, and interrupts the CPU when a converted result is outside of its programmed range. This feature greatly facilitates protection functions because all measurement and comparison operations are automated.

3.3.2. Temperature Sensor

This sensor measures the die temperature of the Si8250/1/2. It can achieve 3 °C accuracy with a single-point calibration and 1 °C with a two-point calibration. The temperature output signal is digitized by ADC0.

3.3.3. 8051 CPU

50 MIPS CPU core with 1 kB of SRAM and up to 32 kB of Flash memory. This processor has its own onboard oscillator and PLL, reset sources, and real-time in-system hardware debug interface eliminating the need for external processor supervisors, timebases, and "emulators". The CPU has an external interrupt (INT0/) that can be connected to an external device via the I/O pins. When interrupted, the CPU suspends execution of the current task and immediately vectors to an interrupt service routine specifically designed to handle the interrupting device.

3.3.4. Digital Peripherals

Peripherals include four 16-bit timers, a three-channel programmable counter array (PCA, with each channel useful as a PWM), an SMBus port, a UART (useful as a serial data port for isolated applications), and two 8-bit I/O port latches for logic control outputs.

4. Design Tools

The Si8250DK development kit (Figure 3) contains everything required to develop applications with the Si825x family of digital power controllers. This kit supports all phases of power supply development from controller design through real-time system debugging. It also includes a turnkey, 35 W isolated dc/dc target board for evaluation and experimentation.



Figure 3. Si8250DK Development Kit

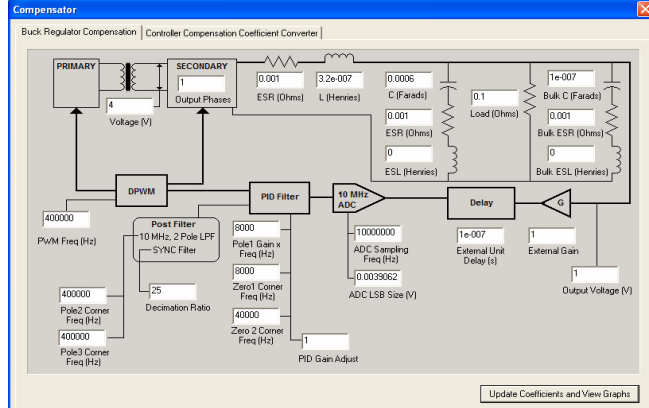


Figure 5. Buck Regulator Compensation Tool

The tool set enables users to configure pre-written application software included in the kit to their application using a set of PC-based graphical user interface (GUIs). These GUIs (Figures 4 and 5) allow the user to quickly and easily specify and verify system timing, loop compensation, and protection settings and compile and download the resulting code into the Si8250/1/2 (Figure 6).

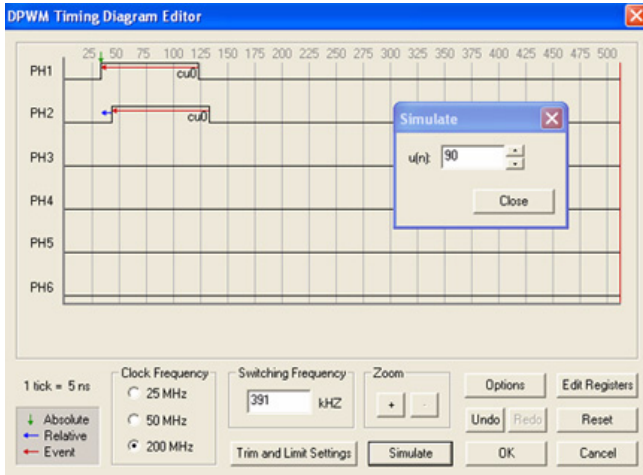


Figure 4. Timing Design Tool

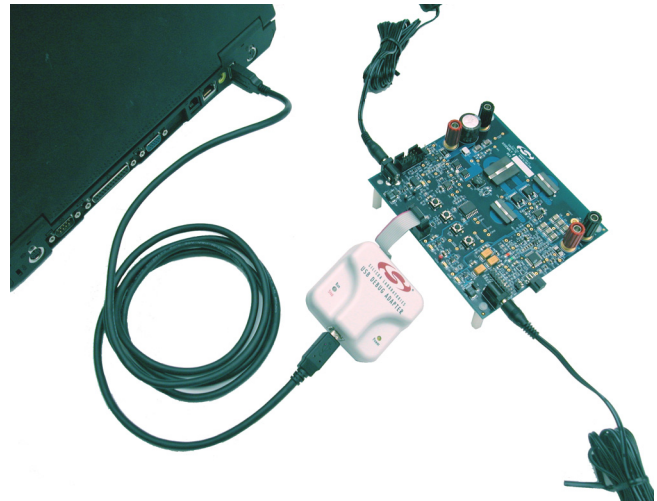


Figure 6. Software Download to Si8250 Mounted in Power Supply

5. Example Applications

The Si825x is the ideal choice for digitally-controlled switched mode power supplies. This section provides a quick overview of the Si825x in an isolated half-bridge dc/dc converter and a single-phase point-of-load converter. Reference designs are available for both of these. For more details, visit our web site at www.silabs.com.

5.1. Isolated DC/DC Converter

A 35 W, 400 kHz, Si8250-based half bridge converter is shown in Figure 7. This circuit is the same as that of the target (evaluation) board shipped in the Si8250DK development kit.

The Si8250/1/2 is located on the secondary-side of the power supply for optimum transient response. DPWM outputs PH3 and PH4 control gates of the synchronous rectifiers via a dual driver I.C. DPWM outputs PH1 and PH2 control the gates of the primary-side switching transistors with isolation provided by a Silicon Laboratories isolator. A current transformer circuit provides peak current sensing. Primary side analog

parameters (input voltage and current and the filter node voltage) are digitized by a Silicon Laboratories C8051F300 microcontroller and passed to the Si8250/1/2 using the onboard UART through additional channels of the isolator IC to the Si8250/1/2.

The Si8250/1/2 uses the application software included with the Si8250DK development kit after being configured for the half-bridge application using the tools supplied in the kit.

When power is applied, the CPU executes an internal reset followed by initialization of all parameters. The Si8250/1/2 remains in a low-power state, monitoring digitized V_{IN} data from the primary-side MCU until V_{IN} is within specified limits. At this time, the controller is fully enabled and executes soft-start by monitoring V_{OUT} while sequentially incrementing the loop voltage reference (REFDAC) until the supply output voltage is within the specified range, at which time steady-state operation begins.

During steady-state operation, the MCU operates in interrupt mode where hardware events divert program execution to specific routines in priority order.

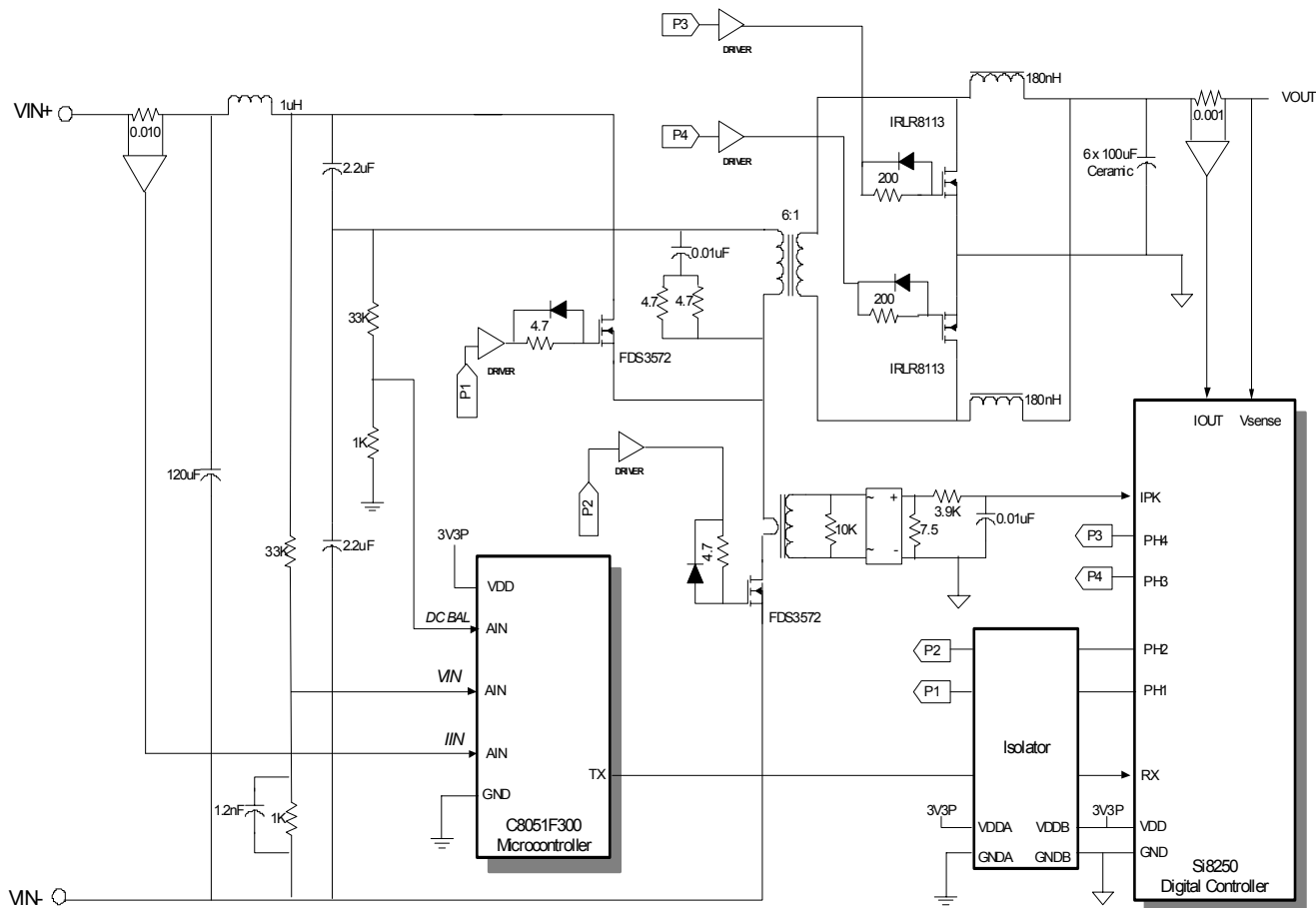


Figure 7. Isolated Half-Bridge DC/DC Converter

5.2. Single-Phase Point of Load (POL) Converter

A 65 W, 400 kHz Si8252 based single phase POL converter block diagram is shown in Figure 8. DPWM outputs PH1 and PH2 control the gates of the buck and synchronous switching transistors. A lossless current sensing method that relies on the resistor and inductance of the inductor is used to measure the current for overcurrent protection. The input voltage is measured using the resistor divider network and analog input port AIN0 of 12bit, 200 kHz ADC0.

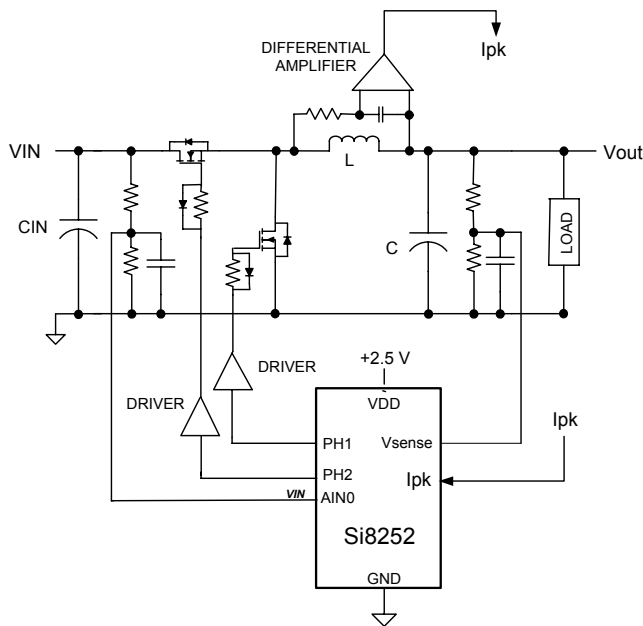


Figure 8. Single-Phase POL Block Diagram

When power is applied, the CPU executes an internal reset followed by initialization of all parameters. The Si8252 remains in a low-power state, monitoring digitized V_{IN} data until V_{IN} is within specified limits. At this time, the controller is fully enabled and executes soft-start by monitoring output voltage while sequentially incrementing the loop voltage reference (REFDAC) until the supply output voltage is within the specified range, at which time steady-state operation begins. As in the previous half-bridge example, transient response is improved by adjusting loop gain at the onset of a transient (i.e. nonlinear control). The efficiency of the POL converter can be optimized over the complete load range by dynamically adjusting the dead-times. Typical efficiency simulation results for the POL are shown in Figure 9. In this case, the single-phase POL operates at a PWM frequency of 400 kHz with an output voltage of 3.3 V and an input voltage range of 10 to 15 V. The curve shows the efficiency with an input voltage of 12.0 V.

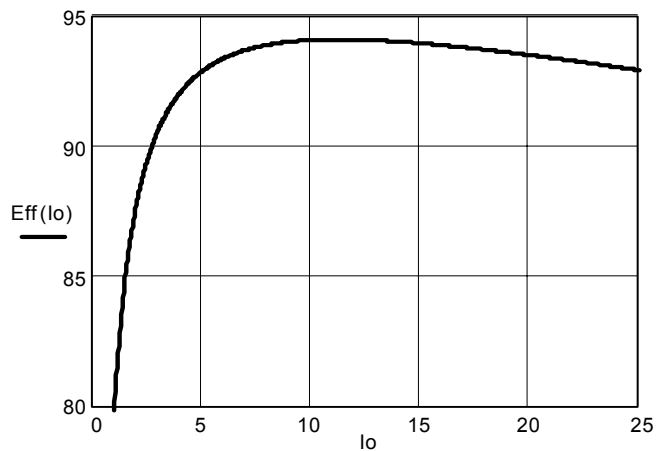


Figure 9. POL Efficiency

6. Layout Considerations

The mixed-signal nature of the Si8250/1/2 mandates clean bias supplies and ground returns. It is best to provide separate ground planes for analog, digital, and power switch returns. These planes should tie together at only one point to eliminate the possibility of circulating ground currents. For best performance, the V_{DD} supply should be decoupled from the main supply. The LQFP-32 package shares analog and digital power with ground on the same pins. Power supply decoupling is shown in Figure 11. Again, all connections should be kept as short as possible.

As shown in Figure 10, the V_{DDA} is decoupled by a filter consisting of a $1\ \Omega$ resistor in series with a 500 mA, $40\ \Omega$ ferrite bead and a parallel combination of a $10\ \mu\text{F}$ with a $0.1\ \mu\text{F}$ high-frequency bypass capacitor. All connections should be kept as short as possible. V_{DDA} and GNDA should be connected into their respective ground planes. The QFN-28 package shares analog and digital power with ground on the same pins. Power supply decoupling is shown in Figure 11. Again, all connections should be kept as short as possible.

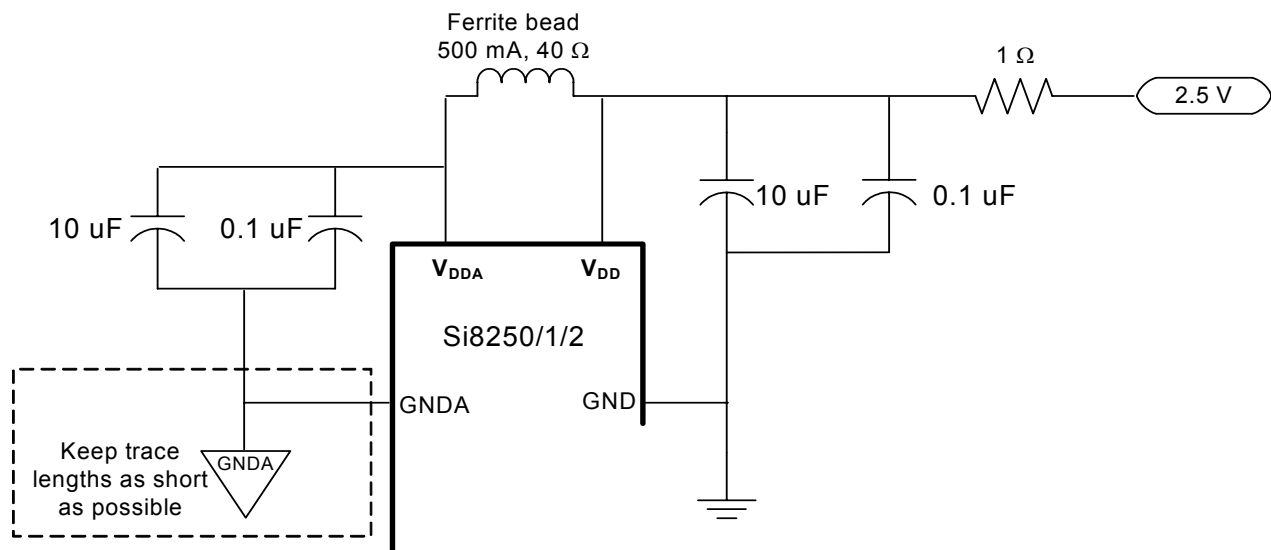


Figure 10. Power Supply Connections for LQFP-32 Package

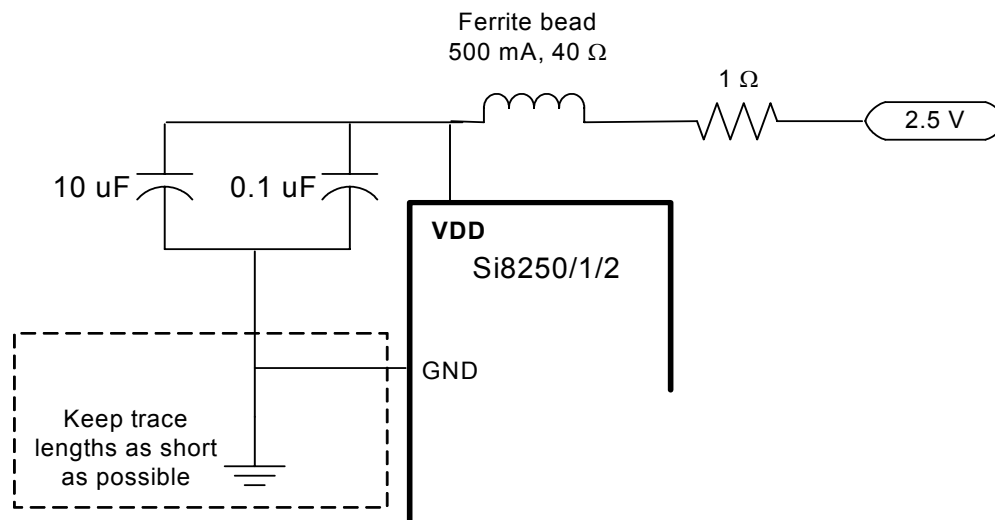


Figure 11. Power Supply Connections for QFN-28 Package

Si8250/1/2

In both cases, the bias supplies must be filtered using low ESR/ESL capacitors placed close to the IC pins. Thick copper traces should be connected to the bias pins (V_{DD} , V_{DDA}) and the ground pins (GND, GNDA) to reduce resistance and inductance. The copper routings from the drivers to the FETs should be kept short and wide, especially in very high frequency applications, to reduce inductance of the traces so that the drive signals can be kept clean. Connections between V_{SENSE} and the output voltage must be kept as short as possible to minimize inductance and parasitic ringing effects.

It is best to locate the Si8250/1/2 as close to the output voltage terminal as possible and use a Kelvin connection to reduce the difference in ground potential between the Si8250/1/2 and the output voltage ground return. Most applications will require access to the debug pins. These pins are susceptible to damage from electrostatic discharge (ESD). It is, therefore, recommended that the debug circuit interface use the input protection circuitry shown in Figure 12.

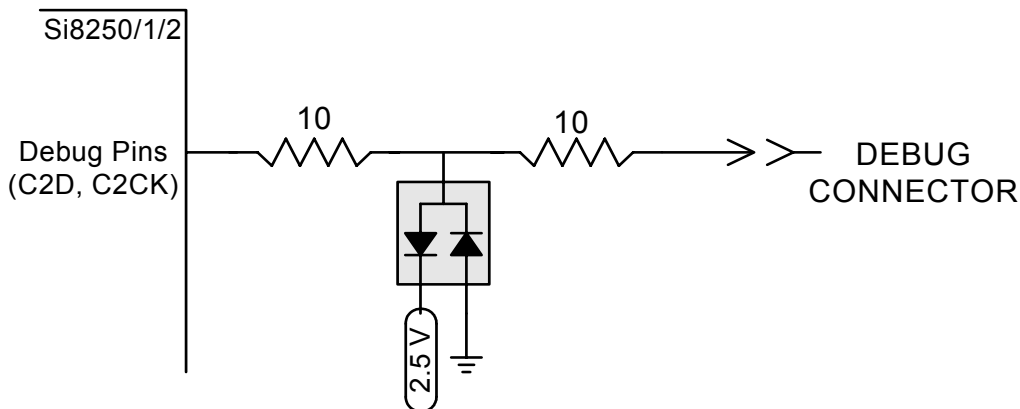


Figure 12. Debug Interface Pin Protection Circuit

7. Pin Descriptions: Si8250/1/2

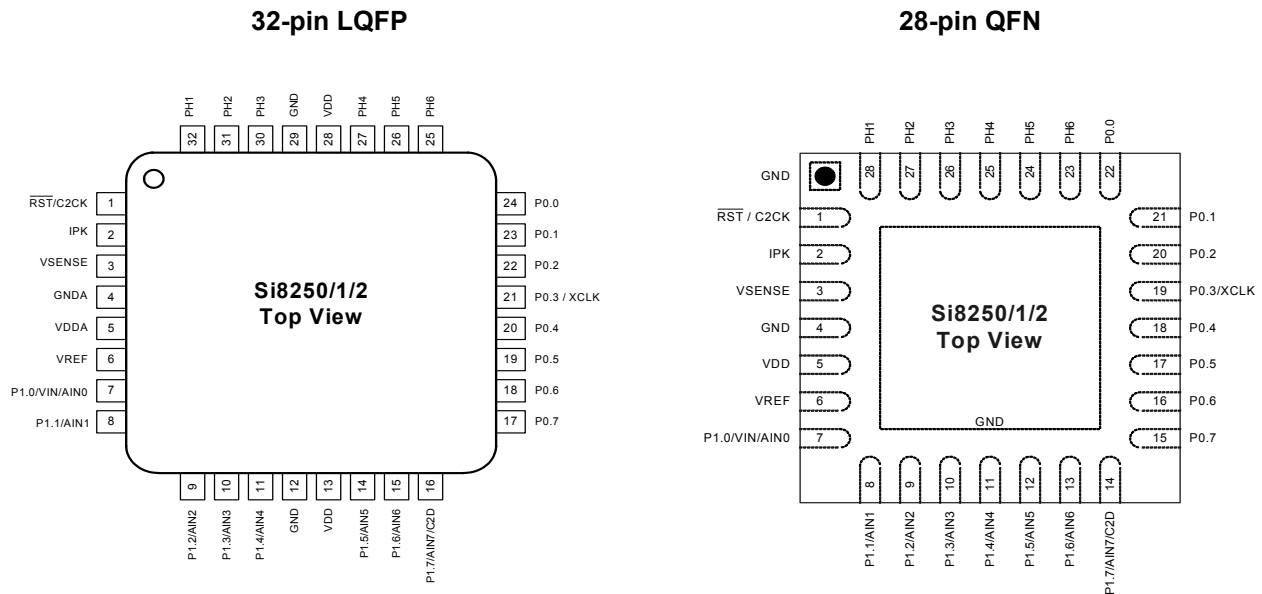


Figure 13. Example Pin Configurations

Table 17. Pin Descriptions

Name	QFN-28 Pin #	LQFP-32 Pin#	Type	Description
RST/C2CK	1	1	D I/O	Reset input or bidirect debug clock
IPK	2	2	AIN	Inductor current input
V _{SENSE}	3	3	AIN	Output voltage feedback input
GND	4	—	AIN	Ground
GNDA	—	4	AIN	Ground
V _{DD}	5	—	AIN	Power supply input
V _{DDA}	—	5	AIN	Power supply input
V _{REF}	6	6	AIN	External voltage reference input
P1.0/V _{IN} or AIN0	7	7	D I/O or AIN	Port 1 I/O or scaled power supply input voltage or ADC input 0
P1.1/AIN1	8	8	D I/O or AIN	Port 1 I/O or ADC input 1
P1.2/AIN2	9	9	D I/O or AIN	Port 1 I/O or ADC input 2
P1.3/AIN3	10	10	D I/O or AIN	Port 1 I/O or ADC input 3
P1.4/AIN4	11	11	D I/O or AIN	Port 1 I/O or ADC input 4
GND	—	12	AIN	Ground
V _{DD}	—	13	AIN	Power supply input
P1.5/AIN5	12	14	D I/O or AIN	Port 1 I/O or ADC input 5
P1.6/AIN6	13	15	D I/O or AIN	Port 1 I/O or ADC input 6
P1.7/ AIN7/C2D	14	16	D I/O, DIN or AIN	Port 1 I/O or ADC input 7 or C2 Data
P0.7	15	17	D I/O	Port 0 I/O
P0.6	16	18	D I/O	Port 0 I/O

Table 17. Pin Descriptions (Continued)

Name	QFN-28 Pin #	LQFP-32 Pin#	Type	Description
P0.5	17	19	D I/O	Port 0 I/O
P0.4	18	20	D I/O	Port 0 I/O
P0.3/XCLK	19	21	D I/O	Port 0 I/O
P0.2	20	22	D I/O	Port 0 I/O
P0.1	21	23	D I/O	Port 0 I/O
P0.0	22	24	D I/O	Port 0 I/O or bidirectional debug data
PH6	23	25	DOUT	Phase 6 switch control output
PH5	24	26	DOUT	Phase 5 switch control output
PH4	25	27	DOUT	Phase 4 switch control output
V _{DD}	—	28	AIN	Power supply input
GND	—	29	AIN	Ground
PH3	26	30	DOUT	Phase 3 switch control output
PH2	27	31	DOUT	Phase 2 switch control output
PH1	28	32	DOUT	Phase 1 switch control output

7.1. Pin Functions

7.1.1. RST/C2CK

CPU reset or debug tool clock. Driving this pin low resets the CPU. This pin is also clocked by the USB debug adaptor during debug.

7.1.2. I_{PK}

Input to the peak current detector for pulse-by-pulse current limiting and overcurrent protection shutdown control.

7.1.3. V_{SENSE}

ADC1 inverting input. This is the voltage feedback input for the Si8250. The maximum allowable signal is V_{REF}.

7.1.4. GND

Digital ground for the 32LQFP package and the main ground for the 28MLP package.

7.1.5. GNDA

Analog ground for 32LQFP only.

7.1.6. V_{DD}

Digital supply voltage for the 32LQFP package and main supply voltage for the 28MLP package.

7.1.7. V_{DDA}

Analog supply for 32LQFP only.

7.1.8. P1.0/V_{IN} or AIN0

Programmable multifunction I/O pin. This pin can be software-configured to be either a Port 1 digital input or

output, or an ADC0 input at AMUX address 0. If used in a non-isolated application, positive input supply voltage must be tied to this input through a resistor divider and anti-aliasing capacitor to minimize the frequencies above f_S/2 (100 kHz) to prevent aliasing. Isolated applications may use this input as general-purpose digital I/O or analog input.

7.1.9. P1.1 or AIN1–P1.7 or AIN7

Programmable multifunction I/O pins. These pins can be software-configured to be a Port 1 digital input or output, or an ADC0 input. P1.7 also serves as the debug data input (C2D) and is used during debug by the USB debug adaptor. P1.7 may be used as general-purpose digital I/O when not in debug mode. Any of the digital peripherals may be programmed to connect to these pins.

7.1.10. P0.0–P0.7

Programmable multifunction I/O pins. These pins can be software-configured to be either a Port 1 digital input or output, or an ADC0 input. Any of the digital peripherals (including the ENABLE input) may be programmed to connect to these pins. P0.3 may be programmed to serve as an external (25 MHz nominal) clock input.

7.1.11. PH1–PH6

DPWM gate control (complementary drive) outputs. These signals connect to the MOSFET gates through an external gate driver. The output levels swing between ground and V_{DD}.

8. Ordering Guide

Ordering Number	Flash Memory	# of PWM Outputs	UART	Package
Si8250-IQ	32 kB	6	Yes	LQFP-32
Si8250-IM	32 kB	6	Yes	QFN-28
Si8251-IQ	16 kB	6	Yes	LQFP-32
Si8251-IM	16 kB	6	Yes	QFN-28
Si8252-IQ	16 kB	3	No	LQFP-32
Si8252-IM	16 kB	3	No	QFN-28

9. Package Outline: 32LQFP

Figure 14 illustrates the package details for the 32-pin LQFP version of the Si8250/1/2. Table 18 lists the values for the dimensions shown in the illustration.

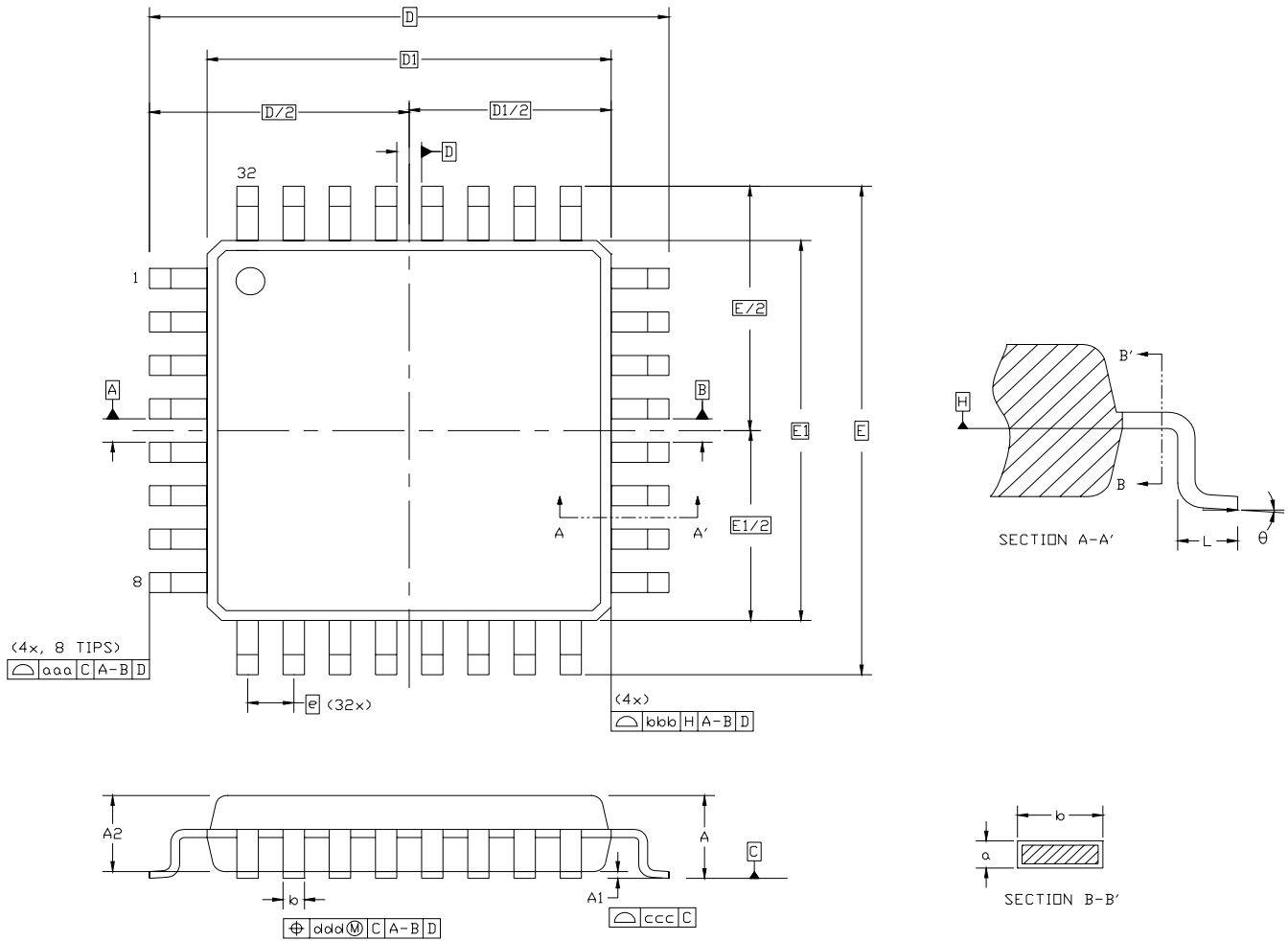


Figure 14. 32-pin LQFP Package Diagram

Table 18. LQFP-32 Package Dimensions

Dimension	Min	Nom	Max
A	—	—	1.60
A1	0.05	—	0.15
A2	1.35	1.40	1.45
b	0.30	0.37	0.45
c	0.09	—	0.20
D	9.00 BSC.		
D1	7.00 BSC.		
e	0.80 BSC.		
E	9.00 BSC.		
E1	7.00 BSC.		
L	0.45	0.60	0.75
aaa	0.20		
bbb	0.20		
ccc	0.10		
ddd	0.20		
⊖	0°	3.5°	7°
Notes:			
1. All dimensions shown are in millimeters (mm) unless otherwise noted.			
2. Dimensioning and tolerancing per ANSI Y14.5M-1994.			
3. This drawing conforms to JEDEC outline MS-026, variation BBA.			
4. Recommended card reflow profile is per the JEDEC/IPC J-STD-020C specification for small body components.			

10. Package Outline: 28QFN

Figure 15 illustrates the package details for the 28-lead QFN version of the Si8250/1/2. Table 19 lists the values for the dimensions shown in the illustration.

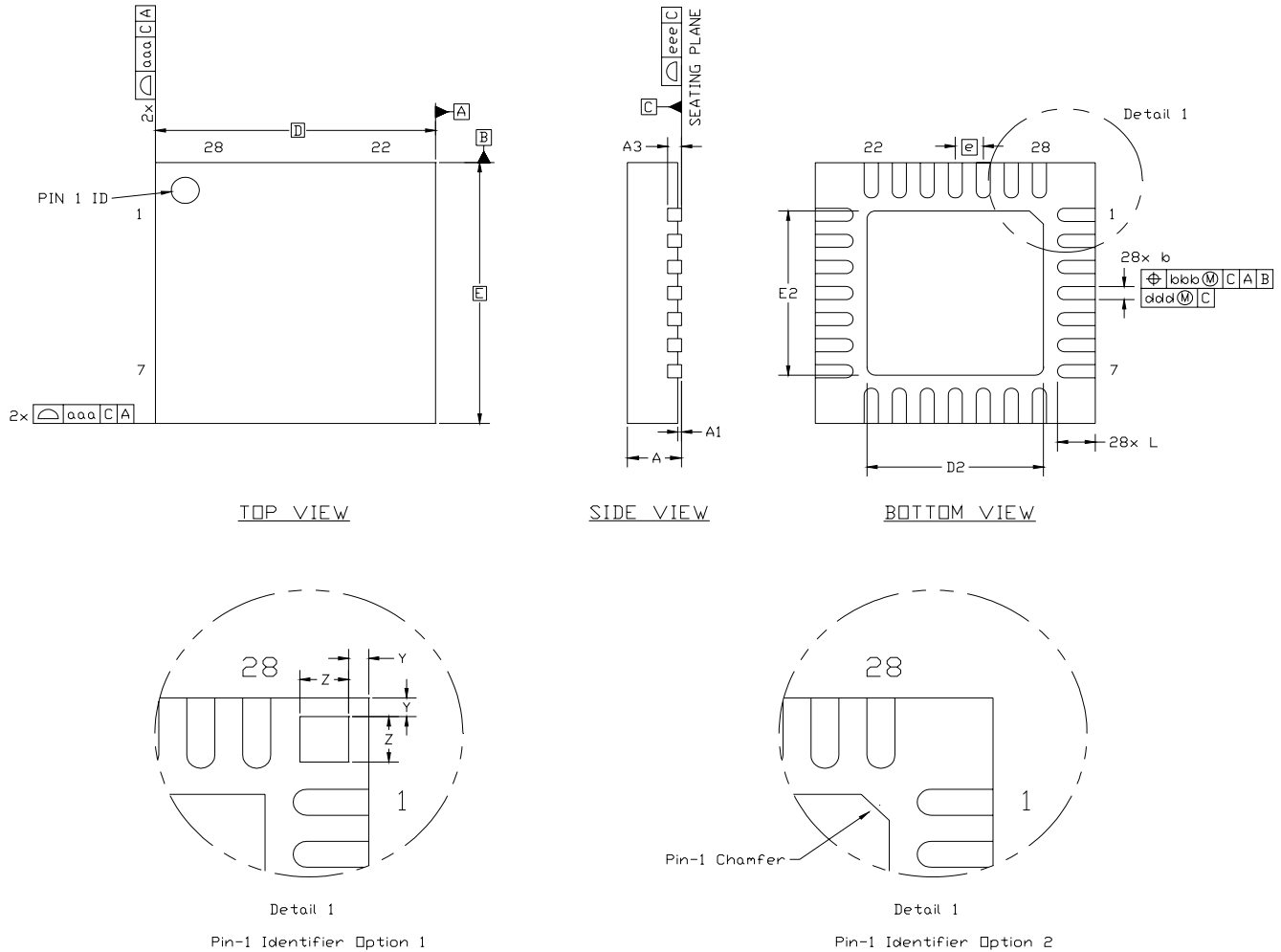


Figure 15. 28-lead Quad Flat No-lead (QFN) Package Diagram

Table 19. QFN-28 Package Dimensions

Dimension	Min	Nom	Max
A	0.80	0.90	1.00
A1	0.03	0.07	0.11
A3	0.25 REF		
b	0.18	0.25	0.30
D	5.00 BSC.		
D2	2.90	3.15	3.35
e	0.50 BSC.		
E	5.00 BSC.		
E2	2.90	3.15	3.35
L	0.45	0.55	0.65
aaa	0.15		
bbb	0.10		
ddd	0.05		
eee	0.08		
Z	0.435		
Y	0.18		
Notes:			
<ol style="list-style-type: none"> 1. All dimensions shown are in millimeters (mm) unless otherwise noted. 2. Dimensioning and tolerancing per ANSI Y14.5M-1994. 3. This drawing conforms to JEDEC outline MO-243, variation VHHD except for custom features D2, E2, L, Z, and Y, which are toleranced per supplier designation. 4. Recommended card reflow profile is per the JEDEC/IPC J-STD-020C specification for small body components. 			

DOCUMENT CHANGE LIST

Revision 0.7 to Revision 0.8

- Updated DPWM phase output drive-high and drive-low resistance in Table 8, "DPWM Specifications," on page 9.

Revision 0.8 to Revision 0.9

- Updated Table 5, "ADC1 Specifications," on page 7.
 - Updated common-mode input voltage range spec.
- Updated "Contact Information" on page 32.
 - Updated disclaimer.

Revision 0.9 to Revision 1.0

- Updated Figure 8, "Single-Phase POL Block Diagram," on page 20.
- Removed all TBDs.
- Updated package drawings.

NOTES:

CONTACT INFORMATION

Silicon Laboratories Inc.

400 West Cesar Chavez

Austin, TX 78701

Tel: 1+(512) 416-8500

Fax: 1+(512) 416-9669

Toll Free: 1+(877) 444-3032

Email: PowerProducts@silabs.com

Internet: www.silabs.com

The information in this document is believed to be accurate in all respects at the time of publication but is subject to change without notice. Silicon Laboratories assumes no responsibility for errors and omissions, and disclaims responsibility for any consequences resulting from the use of information included herein. Additionally, Silicon Laboratories assumes no responsibility for the functioning of undescribed features or parameters. Silicon Laboratories reserves the right to make changes without further notice. Silicon Laboratories makes no warranty, representation or guarantee regarding the suitability of its products for any particular purpose, nor does Silicon Laboratories assume any liability arising out of the application or use of any product or circuit, and specifically disclaims any and all liability, including without limitation consequential or incidental damages. Silicon Laboratories products are not designed, intended, or authorized for use in applications intended to support or sustain life, or for any other application in which the failure of the Silicon Laboratories product could create a situation where personal injury or death may occur. Should Buyer purchase or use Silicon Laboratories products for any such unintended or unauthorized application, Buyer shall indemnify and hold Silicon Laboratories harmless against all claims and damages. The sale of this product contains no licenses to Power-One's intellectual property. Contact Power-One, Inc. for appropriate licenses.

Silicon Laboratories and Silicon Labs are trademarks of Silicon Laboratories Inc.

Other products or brandnames mentioned herein are trademarks or registered trademarks of their respective holders.