

## 阅读申明

- 1.本站收集的数据手册和产品资料都来自互联网，版权归原作者所有。如读者和版权方有任何异议请及时告之，我们将妥善解决。
- 2.本站提供的中文数据手册是英文数据手册的中文翻译，其目的是协助用户阅读，该译文无法自动跟随原稿更新，同时也可能存在翻译上的不当。建议读者以英文原稿为参考以便获得更精准的信息。
- 3.本站提供的产品资料，来自厂商的技术支持或者使用者的心得体会等，其内容可能存在描述上的差异，建议读者做出适当判断。
- 4.如需与我们联系，请发邮件到marketing@iczoom.com，主题请标有“数据手册”字样。

## Read Statement

1. The datasheets and other product information on the site are all from network reference or other public materials, and the copyright belongs to the original author and original published source. If readers and copyright owners have any objections, please contact us and we will deal with it in a timely manner.
2. The Chinese datasheets provided on the website is a Chinese translation of the English datasheets. Its purpose is for reader's learning exchange only and do not involve commercial purposes. The translation cannot be automatically updated with the original manuscript, and there may also be improper translations. Readers are advised to use the English manuscript as a reference for more accurate information.
3. All product information provided on the website refer to solutions from manufacturers' technical support or users the contents may have differences in description, and readers are advised to take the original article as the standard.
4. If you have any questions, please contact us at marketing@iczoom.com and mark the subject with "Datasheets" .

# MN1380 Series

## CMOS LSIs for Voltage Detection

### ■ Overview

The MN1380 series are elements that monitor the power supply voltage supplied to microcomputers and other LSI systems and issue reset signals for initializing the system after the power is first applied or for preventing runaway operation when the supply voltage fluctuates.

There is a choice of three output types: CMOS output, N-channel open drain output, and inverted CMOS output. There are also three package types: M, TO-92, and a mini type for surface mounting.

Choose the ideal element for your application from the series' wide selection of detection ranks (17 ranks between 2.0 and 4.9 volts), output types, and package types.

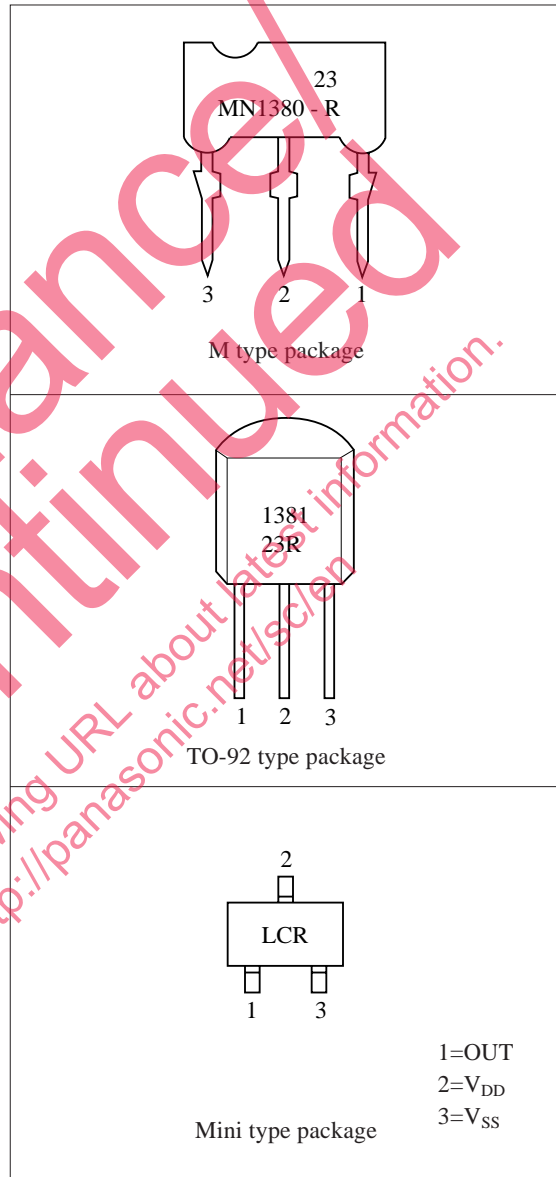
### ■ Features

- Three-pin element requiring no adjustment
- Wide selection of detection ranks (17 ranks between 2.0 and 4.9 volts)
- Highly precise detection voltage
- Detection voltage with hysteresis characteristic  
 $\Delta V_D = 50 \text{ mV}$  for ranks C to K  
 $\Delta V_D = 100 \text{ mV}$  for ranks L to U
- Low current consumption:  $I_{DD} = 1\mu\text{A}$  (typ.) for  $V_{DD} = 5 \text{ V}$
- Low fluctuation in detection voltage with temperature (typ.  $1 \text{ mV}/^\circ\text{C}$ )
- Wide selection of output types: CMOS output, N-channel open drain output, and inverted CMOS output
- Wide selection of package types: M, TO-92, and a mini type for surface mounting.

### ■ Applications

- Battery checkers
- Power outage detectors
- Level discriminators
- Memory backup systems
- Microcomputer reset circuits
- Reset circuits for other electronic circuits

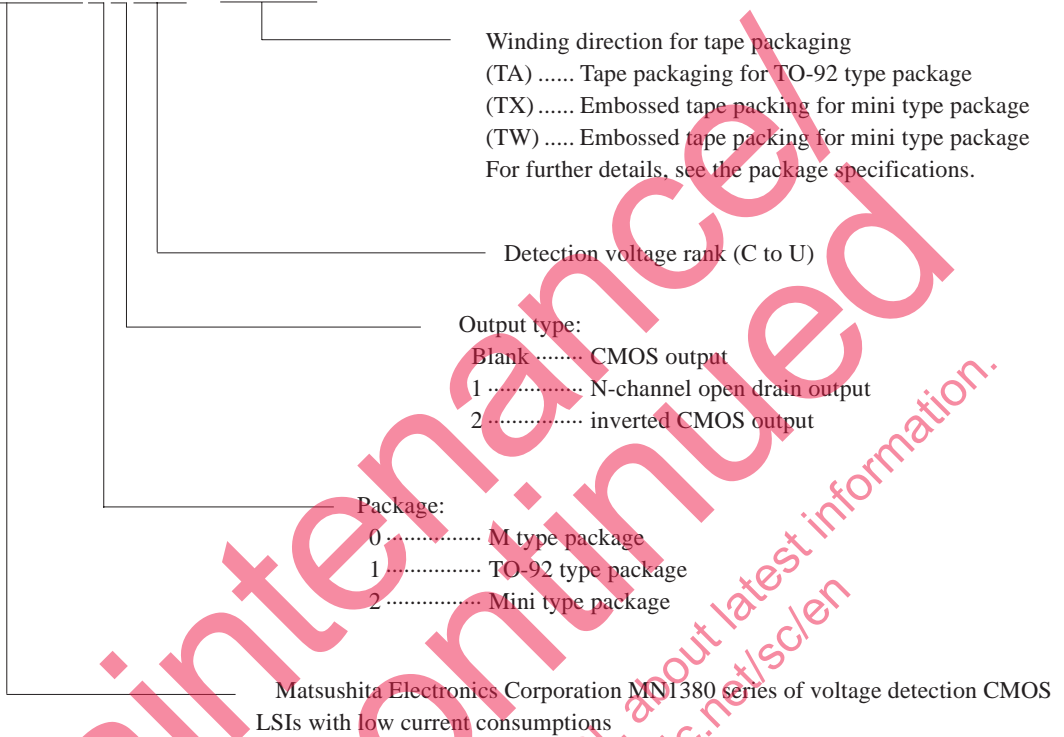
### ■ Pin Assignment



■ MN1380 Series Naming Conventions

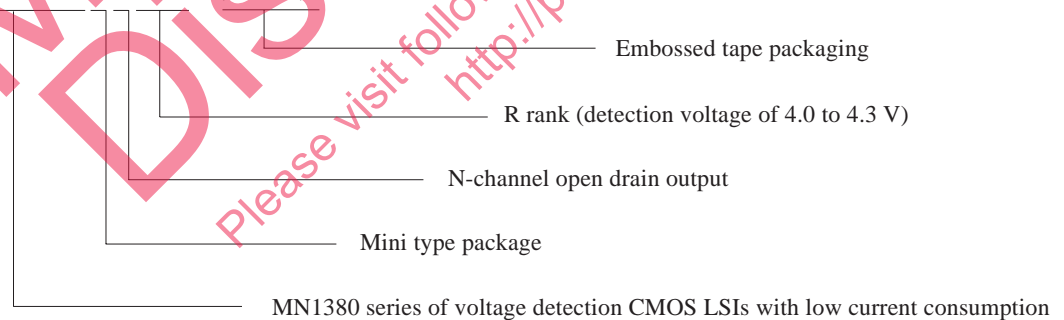
The MN1380 series offers a wide selection of detection ranks, output types, package types, and packaging. All combinations use the following naming conventions. When ordering, be sure to give the correct part number using these naming conventions.

MN13801-R (TA)



(Example)

MN13821-R (TW)



■ Minimum Packaging Unit

- Bulk (M and TO-92 types) ..... 1,000
- Magazine (Mini type) ..... 50
- Taping (Mini and TO-92 types) ..... 3,000

### ■ Series Lineup

Output	Package	M type Package	TO-92 type Package	Mini type Package
CMOS output		MN1380	MN1381	MN1382
N-channel open drain output		MN13801	MN13811	MN13821
Inverted CMOS output		MN13802	MN13812	MN13822

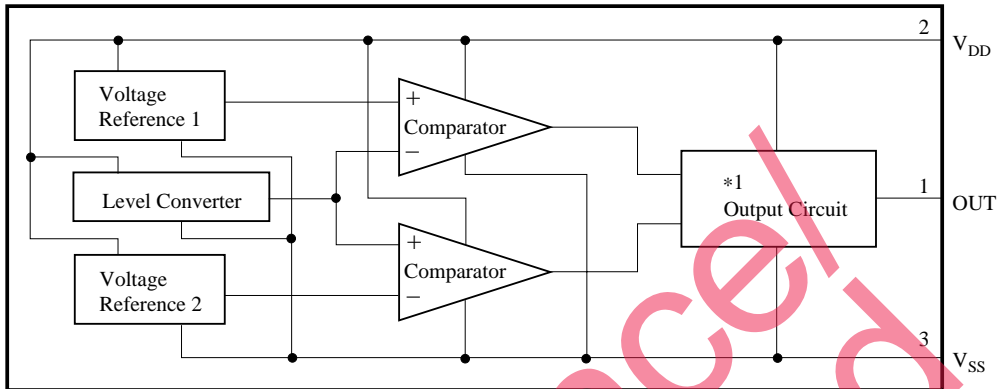
### ■ Detection Ranks (on Voltage)

Rank	Detection Voltage for Drop in Power Supply Voltage ( $V_{DL}$ )		Unit	Detection Voltage Hysteresis Width ( $\Delta V_D$ )		Unit
	min	max		min	max	
C	2.0	2.2	V	50	300	mV
D	2.1	2.3				
E	2.2	2.4				
F	2.3	2.5				
G	2.4	2.6				
H	2.5	2.7				
J	2.6	2.9	V	50	300	mV
K	2.8	3.1				
L	3.0	3.3				
M	3.2	3.5	V	100	300	mV
N	3.4	3.7				
P	3.6	3.9				
Q	3.8	4.1				
R	4.0	4.3				
S	4.2	4.5				
T	4.4	4.7				
U	4.6	4.9				

Maintenance  
 Discontinued

Please visit following URL about latest information  
<http://panasonic.net/sc/en>

■ Block Diagram



Note \*1: Circuits vary slightly depending on the output type (CMOS output, N-channel open drain output, or inverted CMOS output)

■ Pin Descriptions

Pin No.	Symbol	Function Description
1	OUT	Reset signal output pin
2	V <sub>DD</sub>	Power supply pin
3	V <sub>SS</sub>	Ground pin

**■ Absolute Maximum Ratings**  $V_{SS}=0V, T_a=25^{\circ}C$ 

Parameter	Symbol	Rating	Unit
Power supply voltage	$V_{DD}$	7.0	V
Output voltage	$V_O$	-0.3 to $V_{DD}+0.3$	V
Operating ambient temperature	$T_a$	-20 to +70	$^{\circ}C$
Storage temperature	$T_{stg}$	-55 to +125	$^{\circ}C$

**■ Recommended Operating Conditions**  $V_{SS}=0V, T_a=25^{\circ}C$ 

Parameter	Symbol	Conditions	min	typ	max	Unit
Power supply voltage	$V_{DD}$	See Figures 1 and 4.	1.5		6.0	V

**■ Electrical Characteristics**

 1) DC Characteristics  $V_{SS}=0V, T_a=-20^{\circ}C$  to  $+70^{\circ}C$ 

Parameter	Symbol	Conditions	min	typ	max	Unit
Power supply current	$I_{DD}$	$V_{DD} = 5V$ *1 Load resistance = 10 k $\Omega$		1	5	$\mu A$
Detection voltage for drop in power supply voltage *2	$V_{DL}$	$T_a=25^{\circ}C$	*2		*2	V
Detection voltage hysteresis width *2	$\Delta V_D$	See Figures 1 and 4.	*2		*2	mV
"H" level output voltage	$V_{OH}$	CMOS output	$I_{OH}=-40\mu A$	$0.8V_{DD}$	$V_{DD}$	V
		Inverted CMOS output	$V_{DD}=1.8V$ $I_{OH}=-0.5mA$	0.8	$V_{DD}$ -1.5	
"L" level output voltage	$V_{OL}$	N-channel open drain output	$V_{DD}=1.8V$ $I_{OL}=0.7mA$	$V_{SS}$	0.4	V
		Inverted CMOS output	$V_{DD}=6.0V$ $I_{OH}=0.3mA$	$V_{SS}$	0.6	

## Notes

\*1: This includes the output pin's leakage current.

\*2: For particulars, see the detection voltage rank table.

■ Electrical Characteristics (continued)

2) AC Characteristics  $V_{SS}=0V, T_a=25^{\circ}C$

Parameter	Symbol	Conditions	Allowable Value (typ)			Unit
			MN1380 MN1381 MN1382	MN13801 MN13811 MN13821	MN13802 MN13812 MN13822	
Reset release time	$t_{OH}$	See Figures 2 and 3.	Rank			
			C			
			D			
			E	3.0	2.5	230.0
			F			
			G			
			H			
			J	3.0	3.0	100.0
			K			
			L			
			M			
			N			
			P			
			Q	2.0	4.0	30.0
R						
S						
T						
Reset time	$t_{OL}$	See Figures 2 and 3.	C			
			D			
			E	250.0	160.0	3.0
			F			
			G			
			H			
			J	115.0	100.0	3.0
			K			
			L			
			M			
			N			
			P			
			Q	15.0	35.0	3.0
			R			
S						
T						

■ Description of Operation

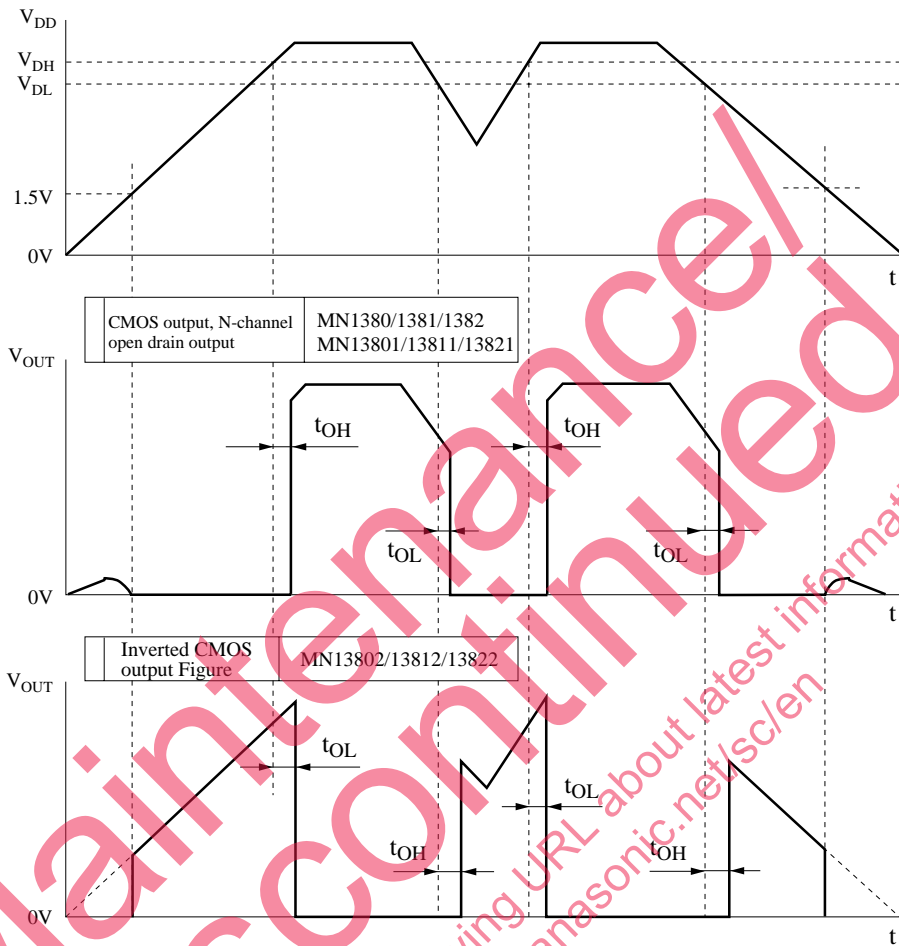


Figure 1. Description of Operation

Notes

- 1: Output cannot be specified for power supply voltages under 1.5 V because operation is not guaranteed for that range.
- 2:  $V_{DL}$ : Detection voltage for drop in power supply voltage  
 $V_{DH}$ : Detection voltage for rise in power supply voltage  
 $t_{OL}$  : Time lag between the time that the power supply voltage reaches the detection voltage ( $V_{DL}$  or  $V_{DH}$ ) and the time that the output pin (OUT) goes to "L" level.  
 $t_{OH}$  : Time lag between the time that the power supply voltage reaches the detection voltage ( $V_{DL}$  or  $V_{DH}$ ) and the time that the output pin (OUT) goes to "H" level.
- 3: These characteristics for the N-channel open drain output are when a load resistor is connected between the OUT and  $V_{DD}$  pins.



■ Description for Measuring the Output Characteristics

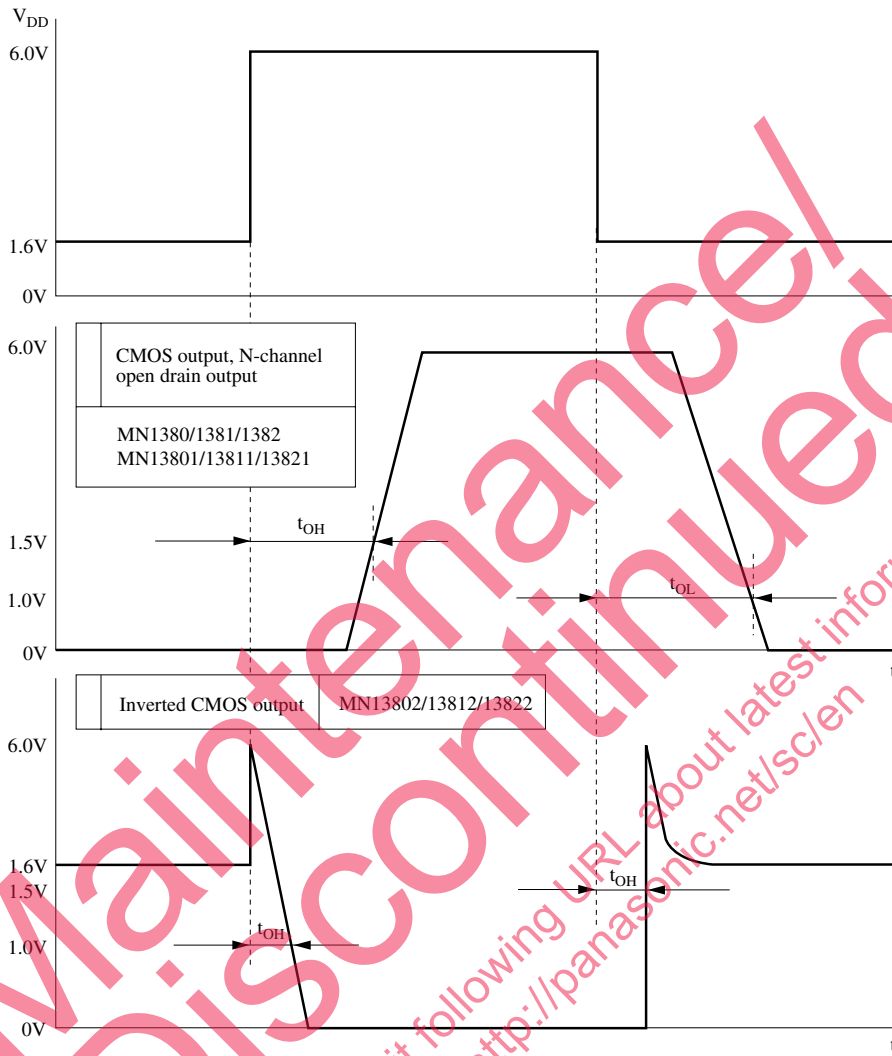


Figure 2. Description chart of Measuring the Output Characteristics

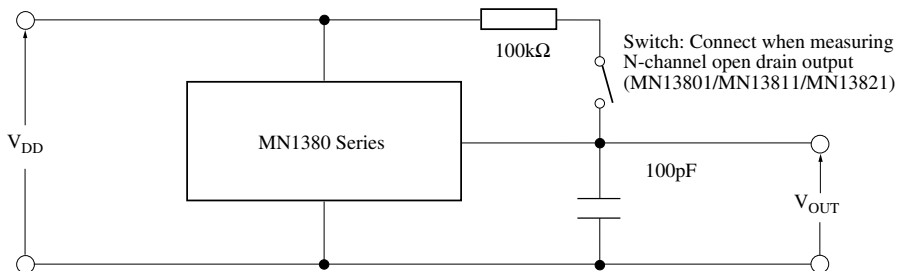


Figure 3. Circuit for Measuring the Output Characteristics

■ Description for Measuring the I/O Characteristics

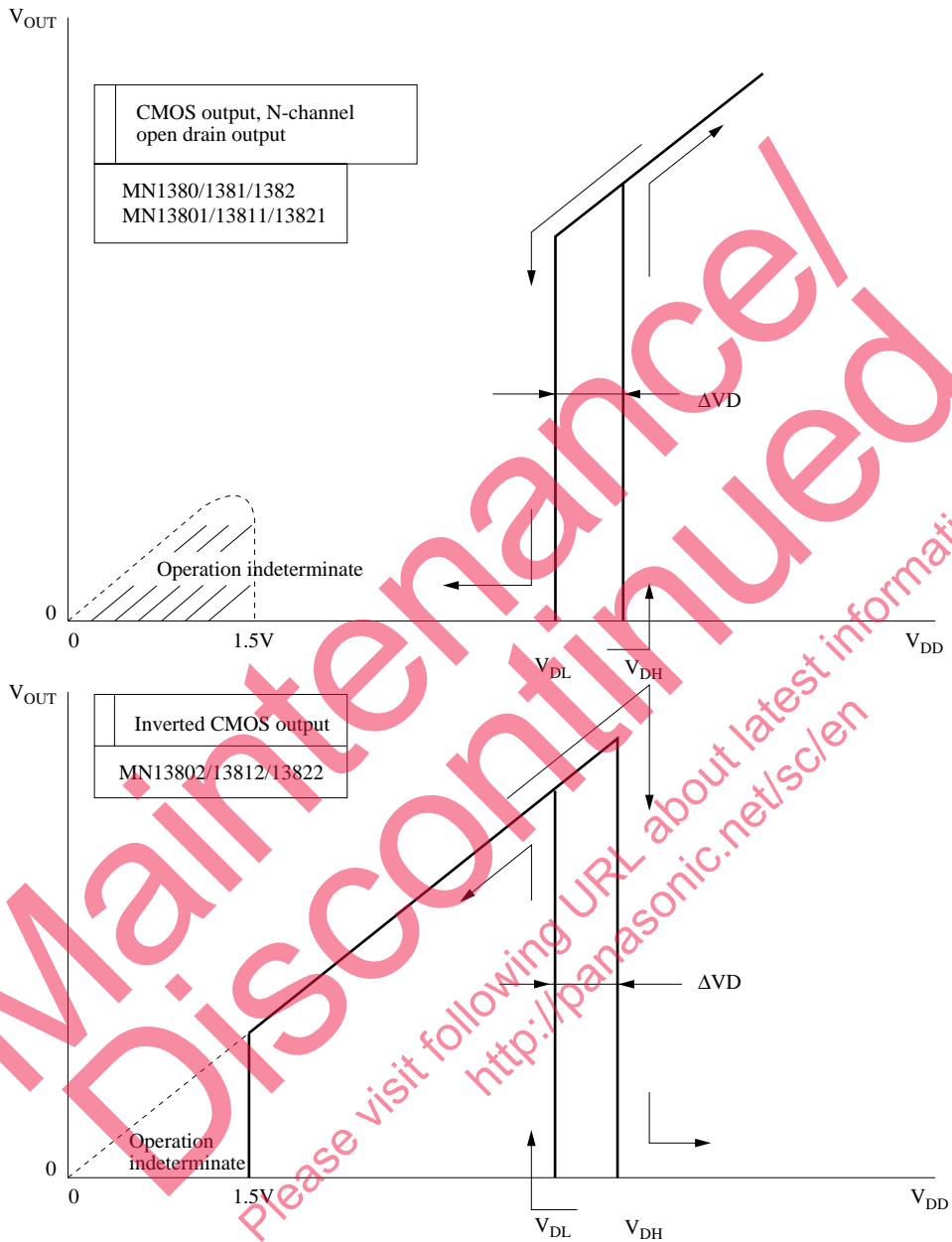


Figure 4. Description chart for Measuring the I/O Characteristics

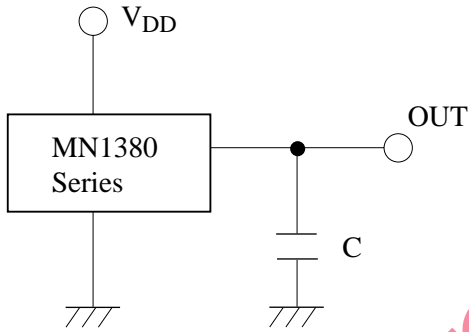
Notes

- 1: Output cannot be specified for power supply voltages under 1.5 V because operation is not guaranteed for that range.
- 2:  $V_{DL}$ : Detection voltage for drop in power supply voltage  
 $V_{DH}$ : Detection voltage for rise in power supply voltage
- 3: These characteristics for the N-channel open drain output are when a load resistor is connected between the OUT and  $V_{DD}$  pins.

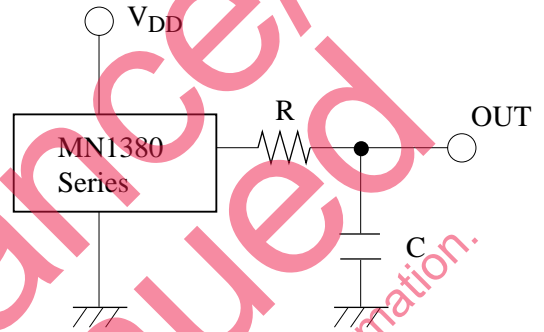
■ Application Circuit Example

Connect resistors, capacitors, and the like only to the output pin on the MN1380 series element. Note that connecting them to the Power source pins changes  $V_{DH}$ ,  $V_{DL}$ , and  $\Delta V_D$ .

Sample Circuit 1



Sample Circuit 2



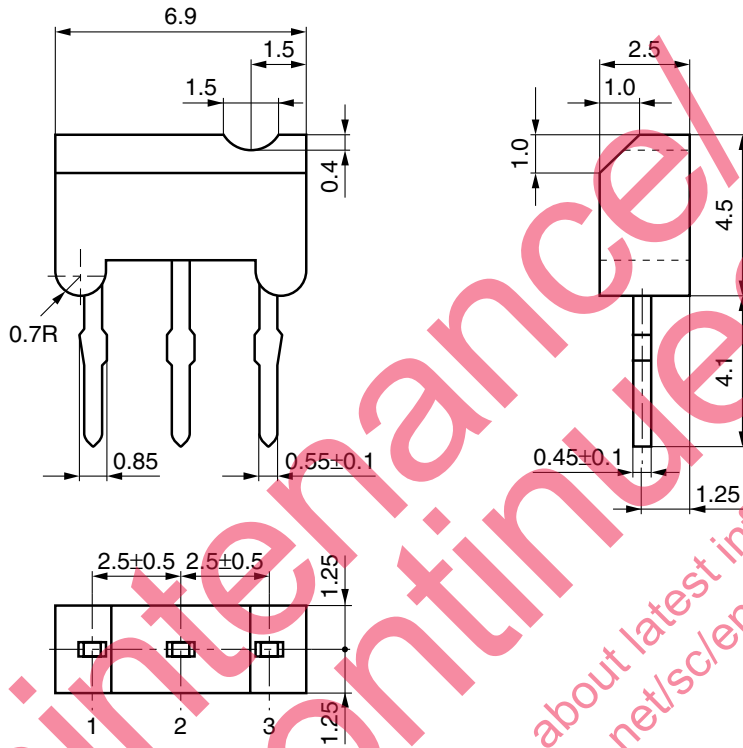
Select the values of R and C to match the application.

Maintenance Discontinued

Please visit following URL about latest information.  
<http://panasonic.net/sc/en>

■ Package Dimensions (Unit: mm)

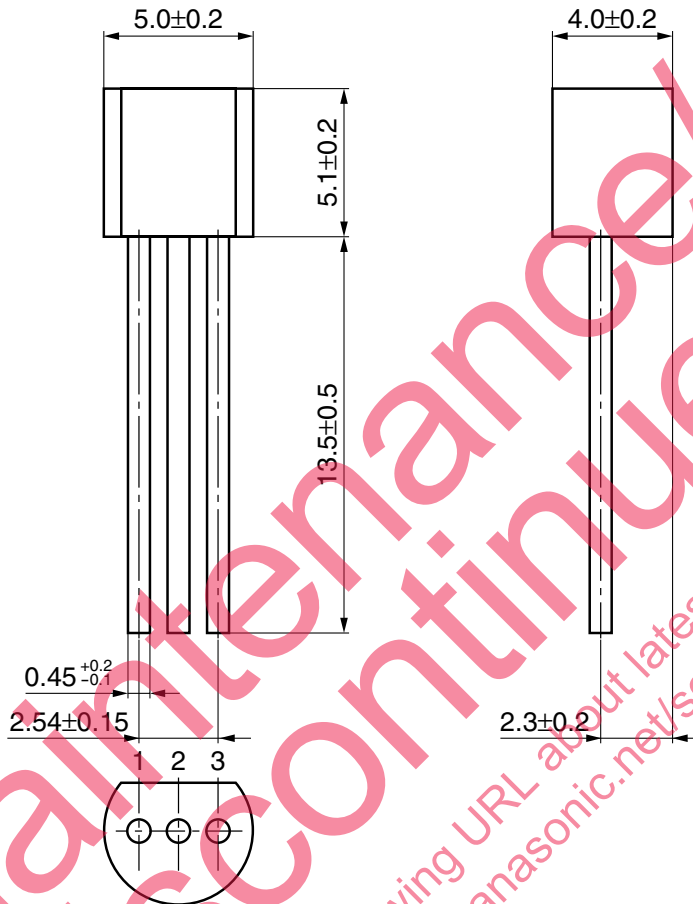
M type package



Note) The package will be changed to lead-free type (M3A). See the new package dimensions section later of this datasheet.

■ Package Dimensions (Unit: mm)(continued)

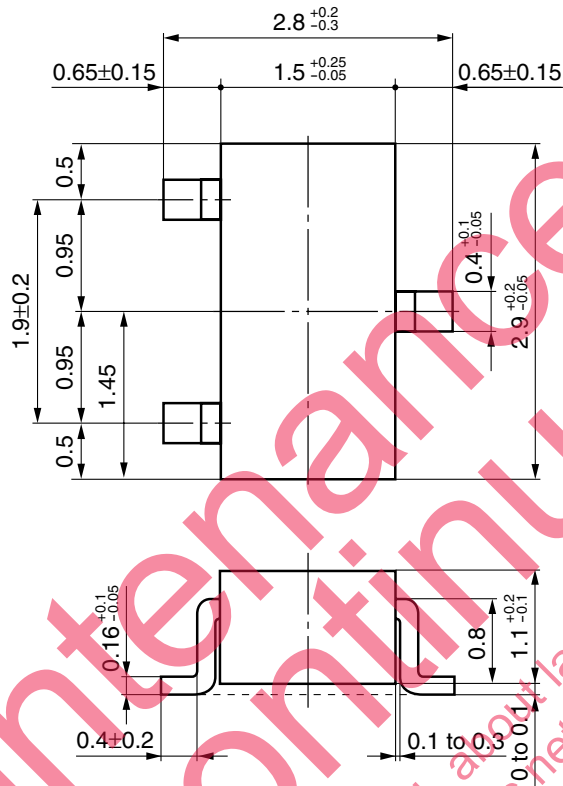
TO-92 type package



Note) The package will be changed to lead-free type (SSIP003-P-0000S). See the new package dimensions section later of this datasheet.

■ Package Dimensions (Unit: mm)(continued)

Mini type package



Note) The package will be changed to lead-free type (MINI-3DC). See the new package dimensions section later of this datasheet.

■ Reference Characteristics

The following characteristics curves represent results from a specific sample therefore they do not guarantee the characteristics for the final product.

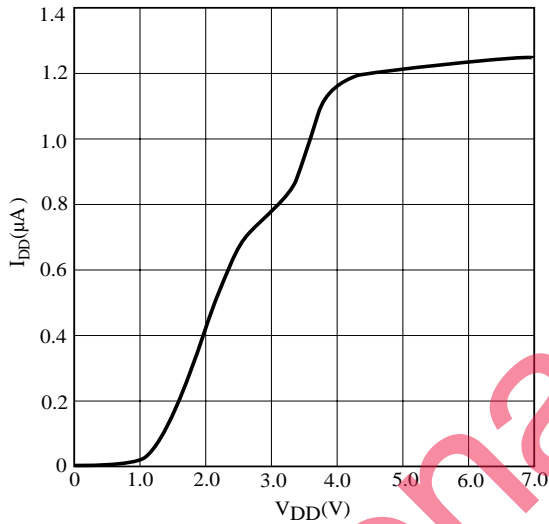


Figure 5.a. I<sub>DD</sub> vs. V<sub>DD</sub> Characteristic (Rank Q)

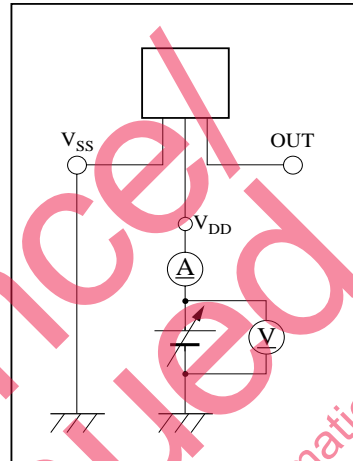


Figure 5.b. Measurement Circuit

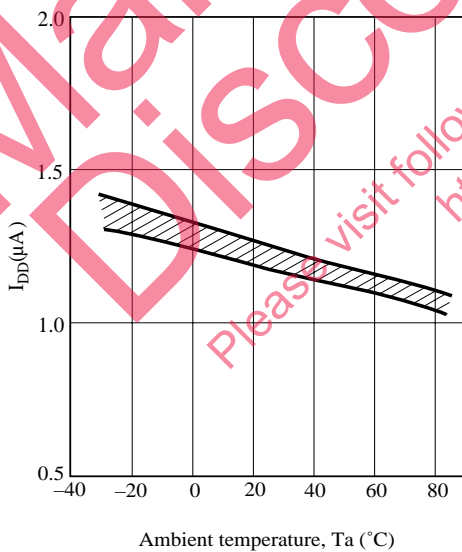


Figure 6.a. I<sub>DD</sub> Temperature Characteristic (Rank Q)

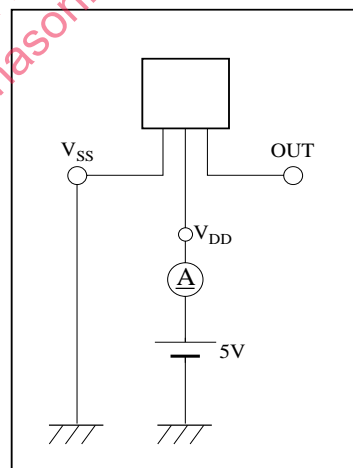


Figure 6.b. Measurement Circuit

■ Reference Characteristics (continued)

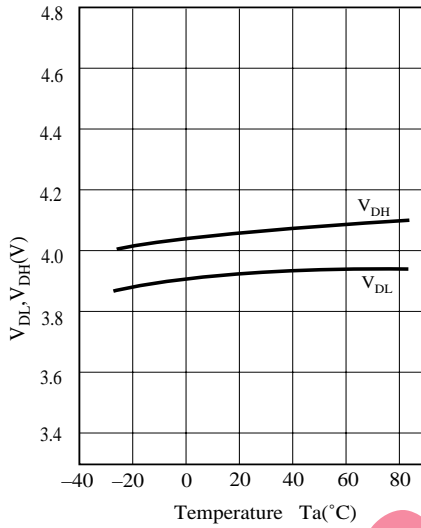


Figure 7.a. V<sub>DL</sub>/V<sub>DH</sub> Temperature Characteristic (Rank Q)

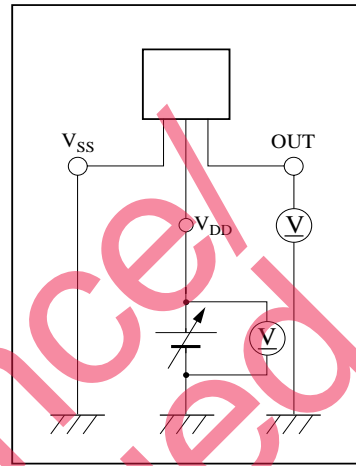


Figure 7.b. Measurement Circuit



Figure 8.a. ΔVD Temperature Characteristic (Rank Q)

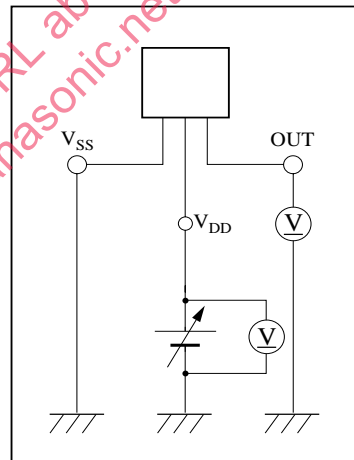


Figure 8.b. Measurement Circuit



■ Reference Characteristics (continued)

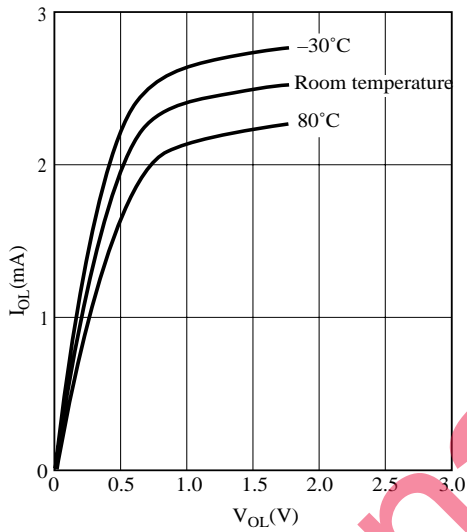


Figure 9.a.  $I_{OL}$  vs.  $V_{OL}$  Characteristic

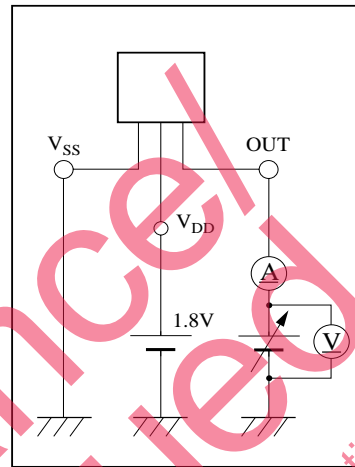


Figure 9.b. Measurement Circuit

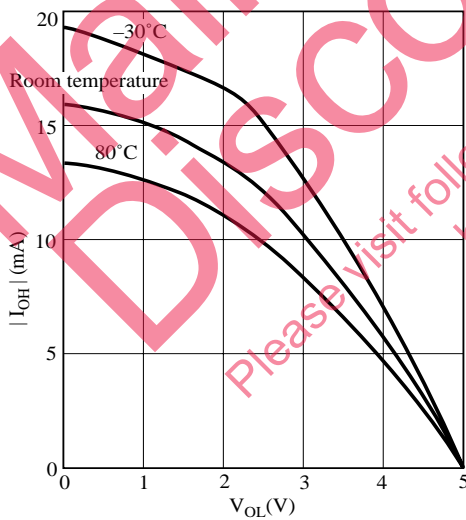


Figure 10.a.  $I_{OH}$  vs.  $V_{OH}$  Characteristic

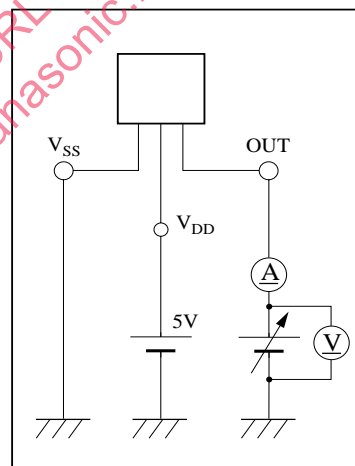


Figure 10.b. Measurement Circuit

■ Reference Characteristics (continued)

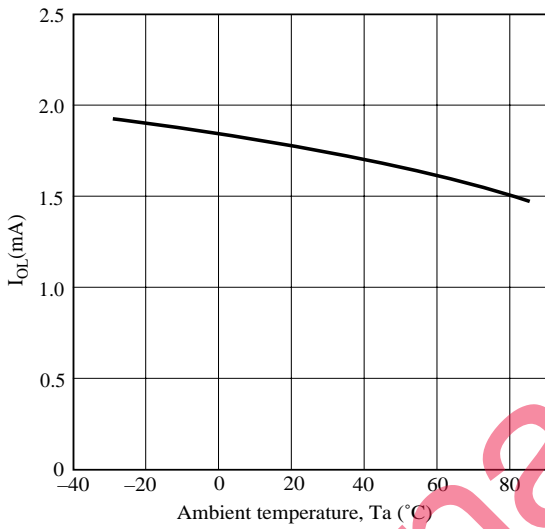


Figure 11.a.  $I_{OL}$  vs. Temperature Characteristic

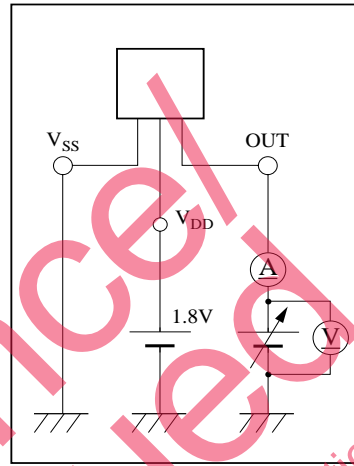


Figure 11.b. Measurement Circuit

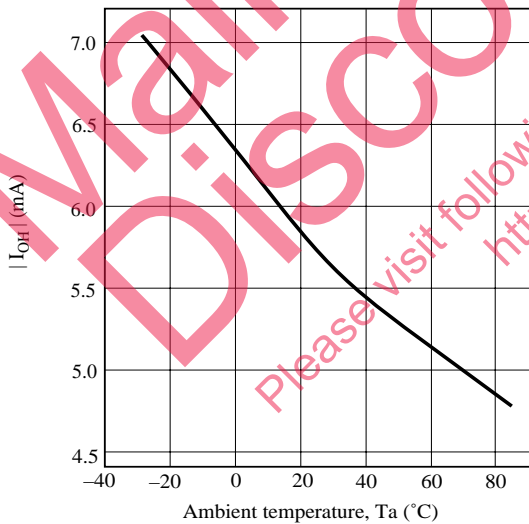


Figure 12.a.  $I_{OH}$  vs. Temperature Characteristic

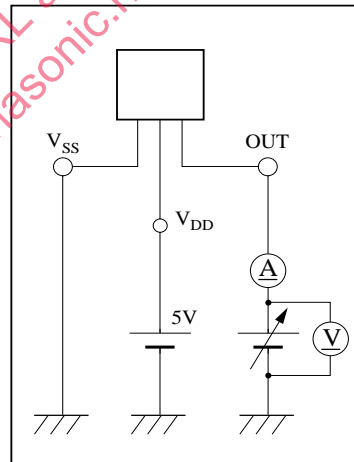


Figure 12.b. Measurement Circuit

■ TO-92 Type Package Taping-Specifications (MN1381/MN13811/MN13812)

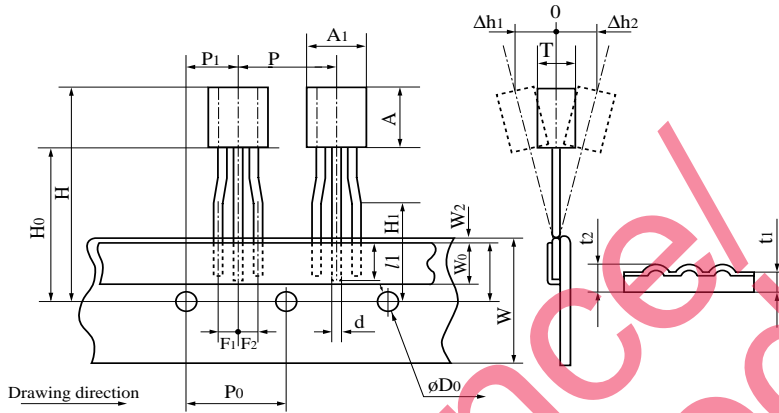


Figure 13. TO-92 Type Package Taping-Dimensions (Ammunition pack)

TO-92 Type Package Taping Dimensions (Ammunition pack)

Name	Symbol	Length (mm)	Name	Symbol	Length (mm)
Product height*	A	5.3 max	Adhesive tape width	W0	6.0±0.5
Product width*	A1	5.2 max	Feed hole position	W1	9.0±0.5
Product thickness*	T	4.2 max	Adhesive tape position	W2	0.5 max
Lead width*	d	0.45 <sup>+0.15</sup> <sub>-0.1</sub>	Distance to top of product	H	25.0 max
Taped lead length	l1	2.0 max	Distance to bottom of product	H0	19.0±0.5
Product pitch	P	12.7±1.0	Lead clinch height	H1	16.0±0.5
Feed hole pitch	P0	12.7±0.3	Feed hole diameter	D0	4.0±0.2
Feed hole position	P1	6.35±0.5	Tape thickness	t1	0.7±0.2
Lead spacing	F1, F2	2.5 <sup>+0.5</sup> <sub>-0.2</sub>	Total tape thickness	t2	1.5 max
Product deflection angle	Δh1, Δh2	2.0 max			
Tape width	W	18.0 <sup>+1.0</sup> <sub>-0.5</sub>			

Note\*1: For further details, see the specifications issued separately.

W	H	D
330	250	41

Unit: mm

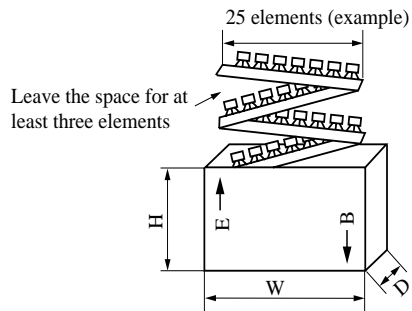
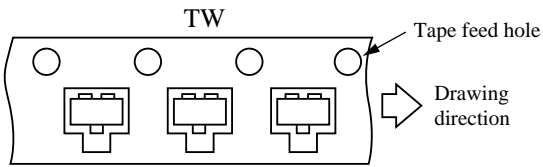


Figure 14. Box Dimensions for TO-92 Type Packages with Ammunition pack

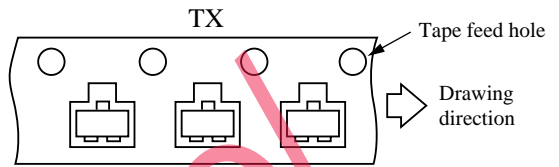
■ Embossed Taping Specifications for Mini Type Package (MN1382/MN13821/MN13822)

There is a choice of two orientations, TW and TX, for the product relative to the tape.



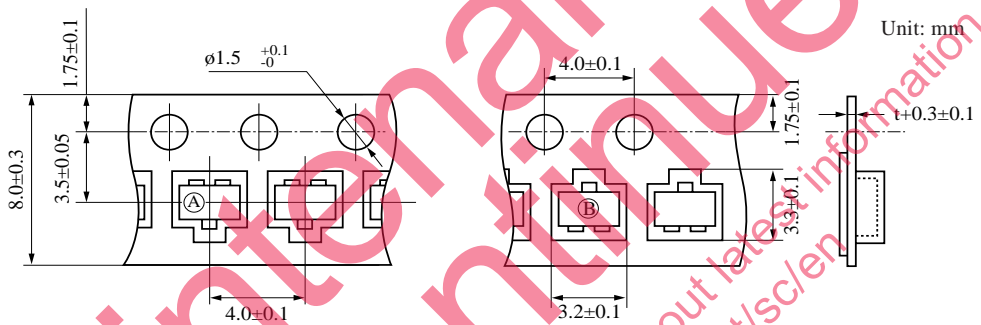
(Marking surface on top)

Figure 15. TW Orientation



(Marking surface on top)

Figure 16. TX Orientation



Product orientation A is labeled TW; orientation B, TX.

Figure 17. Embossed Taping Dimensions for Mini Type Package

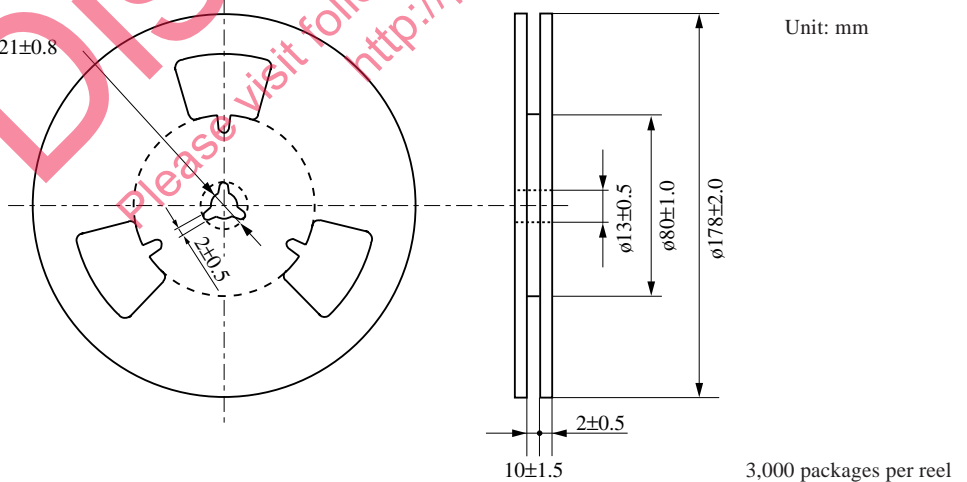


Figure 18. Embossed Taping Reel Dimensions for Mini Type Package

### ■ Reliability Testing Results for MN1380 Series

(1) M type package (MN1380/MN13801/MN13802) and TO-92 type package (MN1381/MN13811/MN13812)

Test Subjects	Test Conditions	Results
Operating lifetime test	$V_{DD}=5.5V$ , $T_a=125^{\circ}C$ , $t=1000hrs$	0/15
High-temperature storage test	$T_a=150^{\circ}C$ , $t=1000hrs$	0/15
Low-temperature storage test	$T_a=-65^{\circ}C$ , $t=1000hrs$	0/15
High-temperature, high-humidity storage test	$T_a=85^{\circ}C$ , $RH=85\%$ , $t=1000hrs$	0/15
High-temperature, high-humidity bias test	$V_{DD}=5.5V$ , $T_a=85^{\circ}C$ , $RH=85\%$ , $t=1000hrs$	0/15
Thermal shock test	$T_a=150^{\circ}C$ and $-65^{\circ}C$ . Five minutes at each temperature for ten cycles	0/15
Temperature cycle test	$T_a=150^{\circ}C$ and $-65^{\circ}C$ . Thirty minutes at each temperature for ten cycles	0/15
Pressure cooker test	Two atmospheres for 50 hours at ambient temperature ( $T_a$ ) of $121^{\circ}C$	0/15
Soldering test	Ambient temperature ( $T_a$ ) of $230^{\circ}C$ for five seconds	0/15
Solder heat resistance test	Ambient temperature ( $T_a$ ) of $270^{\circ}C$ for ten seconds	0/15

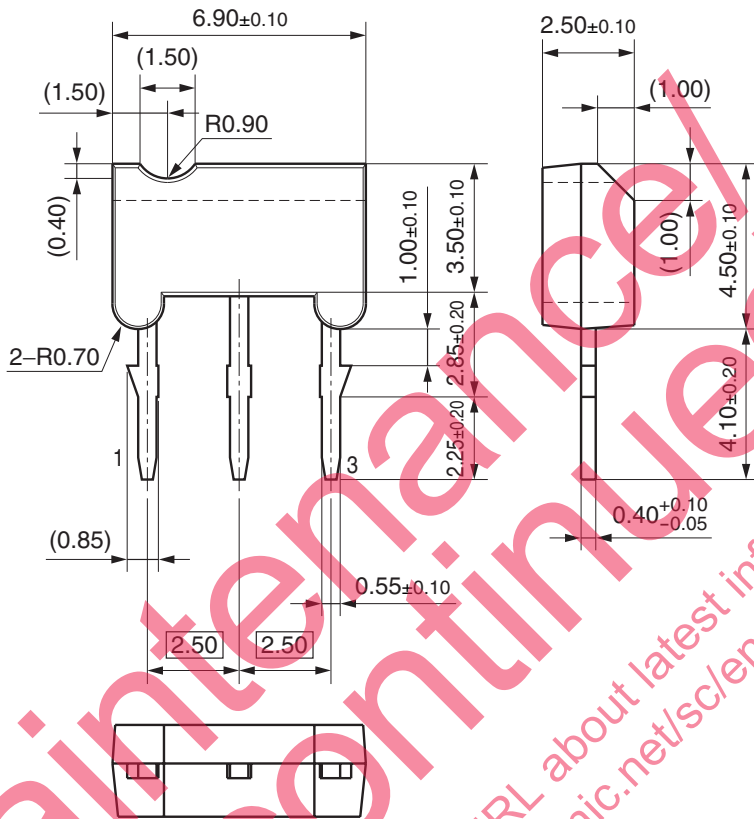
(2) Mini type package (MN1382/MN13821/MN13822)

Test Subjects	Test Conditions	Results
Operating lifetime test	$V_{DD}=5.5V$ , $T_a=125^{\circ}C$ , $t=1000hrs$	0/15
High-temperature storage test	$T_a=150^{\circ}C$ , $t=1000hrs$	0/15
Low-temperature storage test	$T_a=-65^{\circ}C$ , $t=1000hrs$	0/15
High-temperature, high-humidity storage test	$T_a=85^{\circ}C$ , $RH=85\%$ , $t=1000hrs$	0/15
High-temperature, high-humidity bias test	$V_{DD}=5.5V$ , $T_a=85^{\circ}C$ , $RH=85\%$ , $t=1000hrs$	0/15
Thermal shock test	$T_a=150^{\circ}C$ and $-65^{\circ}C$ . Five minutes at each temperature for ten cycles	0/15
Temperature cycle test	$T_a=150^{\circ}C$ and $-65^{\circ}C$ . Thirty minutes at each temperature for ten cycles	0/15
Pressure cooker test *1	Two atmospheres for 24 hours at ambient temperature ( $T_a$ ) of $121^{\circ}C$	0/15
Soldering test	Ambient temperature ( $T_a$ ) of $230^{\circ}C$ for five seconds	0/15
Solder heat resistance test *1	Ambient temperature ( $T_a$ ) of $260^{\circ}C$ for five seconds	0/15

Note\*1: Note that the testing conditions for the mini package differ from those for the other two packages.

■ New Package Dimensions (Unit: mm)

- M3A (Lead-free package)

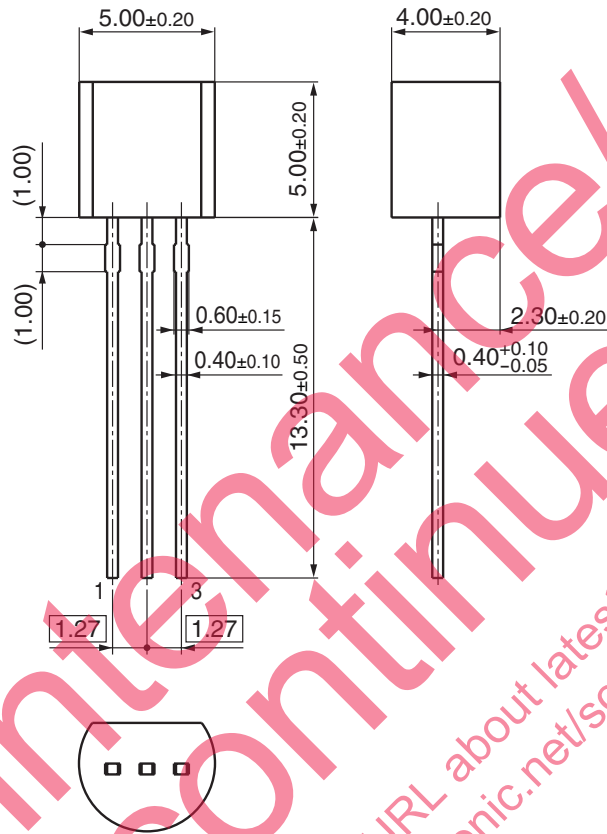


Main  
Discontinued

Please visit following URL about latest information.  
<http://panasonic.net/sc/en>

■ New Package Dimensions (Unit: mm)(continued)

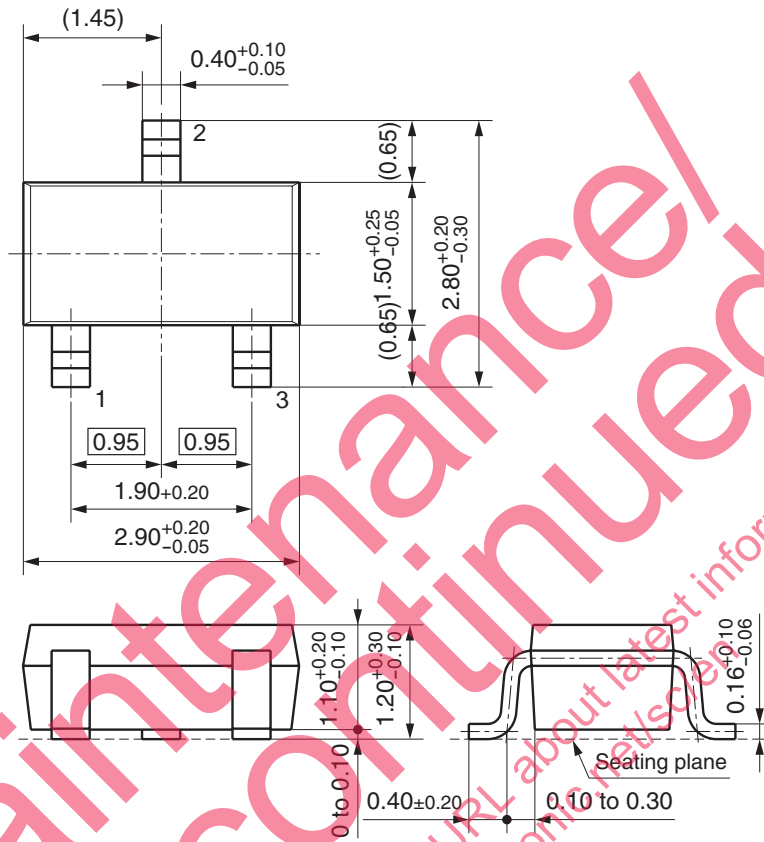
- SSIP003-P-0000S (Lead-free package)



Maintenance/Discontinued  
 Please visit following URL about latest information.  
<http://panasonic.net/sc/en>

■ New Package Dimensions (Unit: mm)(continued)

- MINI-3DC (Lead-free package)



Maintenance/Discontinued

Please visit following URL about latest information.  
<http://panasonic.net/lsic>



**Request for your special attention and precautions in using the technical information and semiconductors described in this book**

- (1) If any of the products or technical information described in this book is to be exported or provided to non-residents, the laws and regulations of the exporting country, especially, those with regard to security export control, must be observed.
- (2) The technical information described in this book is intended only to show the main characteristics and application circuit examples of the products, and no license is granted under any intellectual property right or other right owned by our company or any other company. Therefore, no responsibility is assumed by our company as to the infringement upon any such right owned by any other company which may arise as a result of the use of technical information described in this book.
- (3) The products described in this book are intended to be used for standard applications or general electronic equipment (such as office equipment, communications equipment, measuring instruments and household appliances).  
Consult our sales staff in advance for information on the following applications:
  - Special applications (such as for airplanes, aerospace, automobiles, traffic control equipment, combustion equipment, life support systems and safety devices) in which exceptional quality and reliability are required, or if the failure or malfunction of the products may directly jeopardize life or harm the human body.
  - Any applications other than the standard applications intended.
- (4) The products and product specifications described in this book are subject to change without notice for modification and/or improvement. At the final stage of your design, purchasing, or use of the products, therefore, ask for the most up-to-date Product Standards in advance to make sure that the latest specifications satisfy your requirements.
- (5) When designing your equipment, comply with the range of absolute maximum rating and the guaranteed operating conditions (operating power supply voltage and operating environment etc.). Especially, please be careful not to exceed the range of absolute maximum rating on the transient state, such as power-on, power-off and mode-switching. Otherwise, we will not be liable for any defect which may arise later in your equipment.
  - Even when the products are used within the guaranteed values, take into the consideration of incidence of break down and failure mode, possible to occur to semiconductor products. Measures on the systems such as redundant design, arresting the spread of fire or preventing glitch are recommended in order to prevent physical injury, fire, social damages, for example, by using the products.
- (6) Comply with the instructions for use in order to prevent breakdown and characteristics change due to external factors (ESD, EOS, thermal stress and mechanical stress) at the time of handling, mounting or at customer's process. When using products for which damp-proof packing is required, satisfy the conditions, such as shelf life and the elapsed time since first opening the packages.
- (7) This book may be not reprinted or reproduced whether wholly or partially, without the prior written permission of Matsushita Electric Industrial Co., Ltd.

Maintenance  
Discontinued

Please visit following URL about latest information:  
<http://panasonic.net/sc/en>