

阅读申明

- 1.本站收集的数据手册和产品资料都来自互联网，版权归原作者所有。如读者和版权方有任何异议请及时告之，我们将妥善解决。
- 2.本站提供的中文数据手册是英文数据手册的中文翻译，其目的是协助用户阅读，该译文无法自动跟随原稿更新，同时也可能存在翻译上的不当。建议读者以英文原稿为参考以便获得更精准的信息。
- 3.本站提供的产品资料，来自厂商的技术支持或者使用者的心得体会等，其内容可能存在描述上的差异，建议读者做出适当判断。
- 4.如需与我们联系，请发邮件到marketing@iczoom.com，主题请标有“数据手册”字样。

Read Statement

1. The datasheets and other product information on the site are all from network reference or other public materials, and the copyright belongs to the original author and original published source. If readers and copyright owners have any objections, please contact us and we will deal with it in a timely manner.
2. The Chinese datasheets provided on the website is a Chinese translation of the English datasheets. Its purpose is for reader's learning exchange only and do not involve commercial purposes. The translation cannot be automatically updated with the original manuscript, and there may also be improper translations. Readers are advised to use the English manuscript as a reference for more accurate information.
3. All product information provided on the website refer to solutions from manufacturers' technical support or users the contents may have differences in description, and readers are advised to take the original article as the standard.
4. If you have any questions, please contact us at marketing@iczoom.com and mark the subject with "Datasheets" .

Features

- Low Current Consumption: $I_{DD} < 100 \mu A$
- RC Oscillator
- Internal Reset During Power-up and Supply Voltage Drops (POR)
- “Short” Trigger Window for Active Mode,
“Long” Trigger Window for Sleep Mode
- Cyclical Wake-up of the Microcontroller in Sleep Mode
- Trigger Input
- Single Wake-up Input
- Reset Output
- Enable Output



Digital Window Watchdog Timer

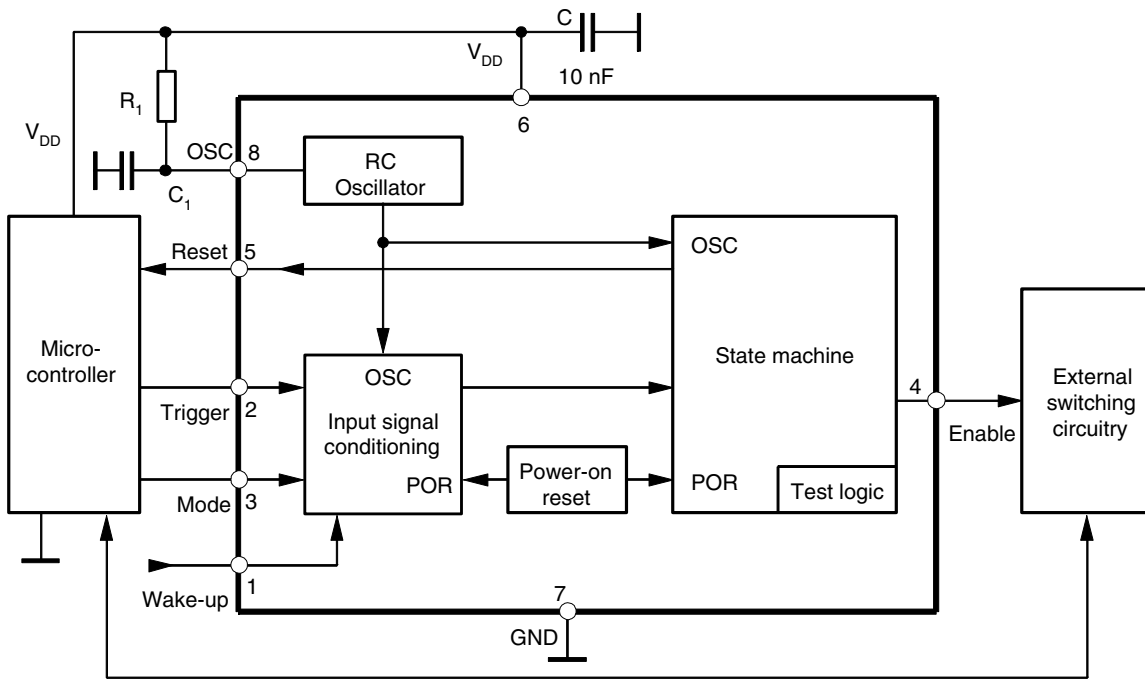
U5021M

1. Description

The digital window watchdog timer, U5021M, is a CMOS integrated circuit. In applications where safety is critical, it is especially important to monitor the microcontroller. Normal microcontroller operation is indicated by a cyclically transmitted trigger signal, which is received by a window watchdog timer within a defined time window.

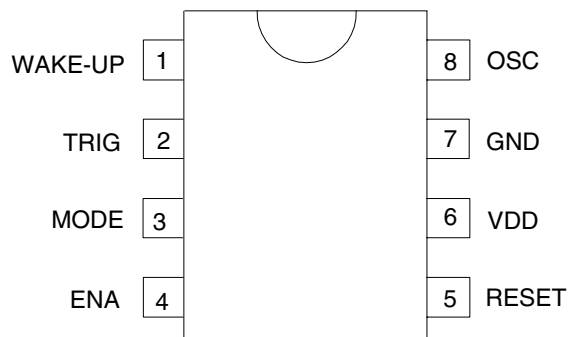
A missing or a wrong trigger signal causes the watchdog timer to reset the microcontroller. The IC is tailored for microcontrollers which can work in both full-power and sleep mode. With an additional voltage monitoring (power-on reset and supply voltage drop reset), the U5021M offers a complete monitoring solution for microsystems in automotive and industrial applications.

Figure 1-1. Block Diagram with External Circuit



2. Pin Configuration

Figure 2-1. Pinning SO8



3. Pin Description

| Pin | Symbol | Function |
|-----|---------|---|
| 1 | WAKE-UP | Wake-up input (pull-down resistor) There is one digitally debounced wake-up input. During the long watchdog window, each signal slope at the input initiates a reset pulse at pin 5. |
| 2 | TRIG | Trigger input (pull-up resistor) It is connected to the microprocessor's trigger signal. |
| 3 | MODE | Mode input (pull-up resistor) The processor's mode signal initiates the switchover between the long and the short watchdog time. |
| 4 | ENA | Enable output (push-pull) It is used for the control of peripheral components. It is activated after the processor triggers three times correctly. |
| 5 | RESET | Reset output (open drain) Resets the processor in the case of a trigger error or if a wake-up pulse occurs during the long watchdog period. |
| 6 | VDD | Supply voltage |
| 7 | GND | Ground, reference voltage |
| 8 | OSC | RC oscillator |

4. Functional Description

4.1 Supply Voltage, Pin 6

The U5021M requires a stabilized supply voltage $V_{DD} = 5\text{ V} \pm 5\%$ to comply with its electrical characteristics.

An external buffer capacitor of $C = 10\text{ nF}$ may be connected between pin 6 and GND.

4.2 RC Oscillator, Pin 8

The clock frequency, f , can be adjusted by the components R_1 and C_1 according to the formula:

$$f = \frac{1}{t}$$

where $t = 1.35 + 1.57 R_1 (C_1 + 0.01)$

R_1 in $k\Omega$, C_1 in nF and t in μs

The clock frequency determines all time periods of the logic part as shown in the table "Electrical Characteristics" under the subheading "Timing" on page 9. With an appropriate component selection, the clock frequency, f , is nearly independent of the supply voltage as shown in Figure 4-1 on page 4.

Frequency tolerance $\Delta f_{\max} = 10\%$ with $R_1 \pm 1\%$, $C_1 = \pm 5\%$

Figure 4-1. Period t versus R_1 , at $C_1 = 500$ pF

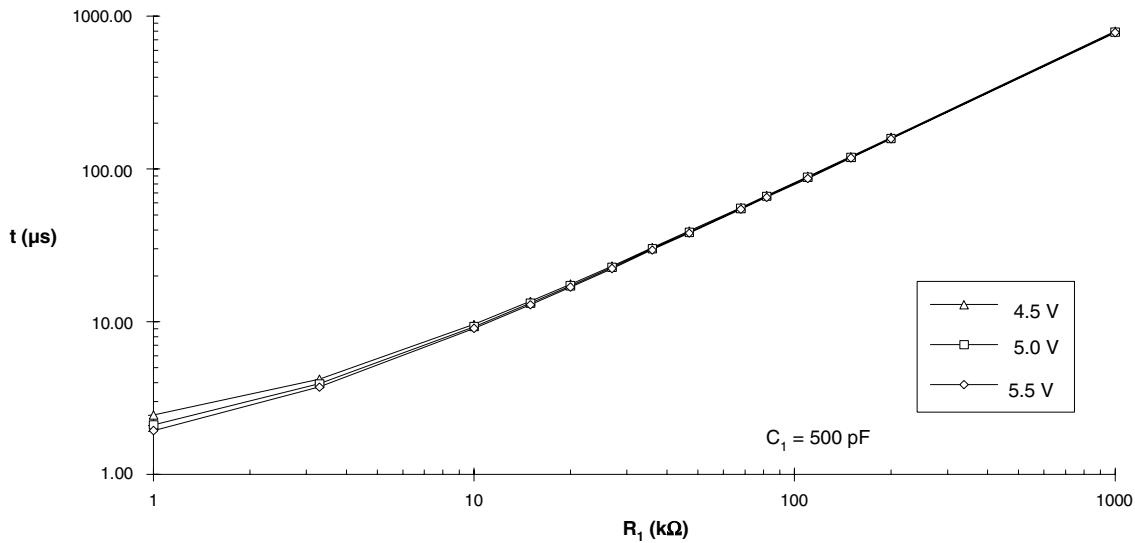


Figure 4-2. Power-on Reset and Switch-over Mode



4.3 Supply Voltage Monitoring, Pin 5

During ramp-up of the supply voltage and in the case of supply-voltage drops the integrated power-on reset (POR) circuitry sets the internal logic to a defined basic status and generates a reset pulse at the reset output, pin 5. A hysteresis in the POR threshold prevents the circuit from oscillating. During ramp-up of the supply voltage, the reset output stays active for a specified period of time (t_0) in order to bring the microcontroller into its defined reset status (see [Figure 4-2](#)). Pin 5 has an open-drain output.

4.4 Switch-over Mode Time, Pin 3

The switch-over mode time enables the synchronous operation of microcontroller and watchdog. When the power-on reset time has elapsed, the watchdog has to be switched to monitoring mode by the microcontroller by a “low” signal transmitted to the mode pin (pin 3) within the time-out period, t_1 . If the low signal does not occur within t_1 (see [Figure 4-2](#)), the watchdog generates a reset pulse, t_6 , and t_1 starts again. Microcontroller and watchdog are synchronized with the switch-over mode time, t_1 , each time a reset pulse is generated.

4.5 Microcontroller in Active Mode

4.5.1 Monitoring with the “Short” Trigger Window

After the switch-over mode the watchdog operates in short watchdog mode and expects a trigger pulse from the microcontroller within the defined time window, t_3 , (enable time). The watchdog generates a reset pulse which resets the microcontroller if

- the trigger pulse duration is too long
- the trigger pulse is within the disable time, t_2
- there is no trigger pulse

Figure 4-3 shows the pulse diagram with a missing trigger pulse.

Figure 4-3. Pulse Diagram with no Trigger Pulse During the Short Watchdog Time

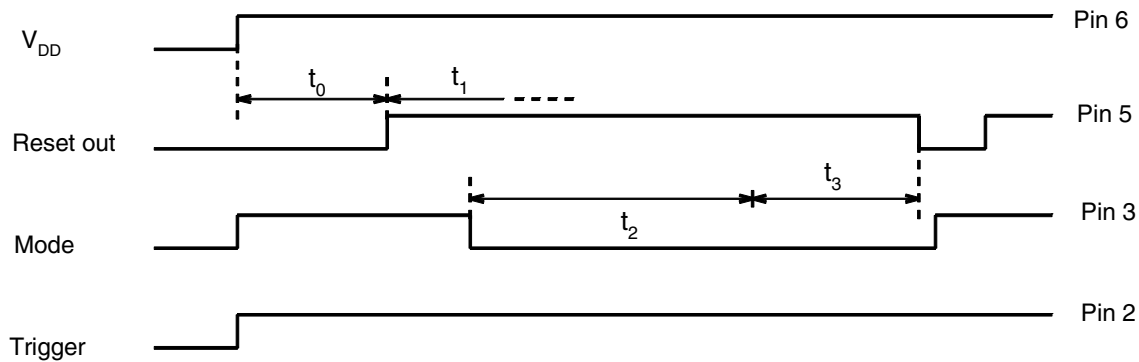


Figure 4-4 on page 6 shows a correct trigger sequence. The positive edge of the trigger signal starts a new monitoring cycle with the disable time, t_2 . To ensure correct operation of the microcontroller, the watchdog needs to be triggered three times correctly before it sets its enable output. This feature is used to activate or deactivate safety-critical components which have to be switched to a certain condition (emergency status) in the case of a microcontroller malfunction. As soon as there is an incorrect trigger sequence, the enable signal is reset and it takes a sequence of three correct triggers before enable is active.

4.6 Microcontroller in Sleep Mode

4.6.1 Monitoring with the “Long” Trigger Window

The long watchdog mode allows cyclical wake-up of the microcontroller during sleep mode. As in short watchdog mode, there is a disable time, t_4 , and an enable time, t_5 , in which a trigger signal is accepted. The watchdog can be switched from the short trigger window to the long trigger window with a “high” potential at the mode pin (pin 3). In contrast to the short watchdog mode, the time periods are now much longer and the enable output remains inactive so that other components can be switched off to effect a further decrease in current consumption. As soon as a wake-up signal at the wake-up input (pins 1) is detected, the long watchdog mode ends, a reset pulse wakes-up the sleeping microcontroller and the normal monitoring cycle starts with the mode switch-over time.

Figure 4-4. Pulse Diagram of a Correct Trigger Sequence During the Short Watchdog Time

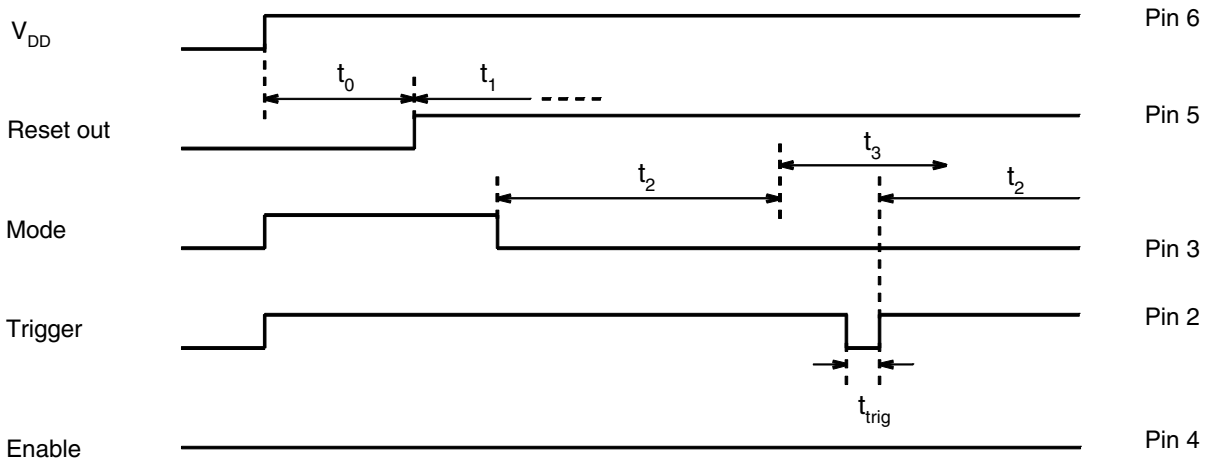
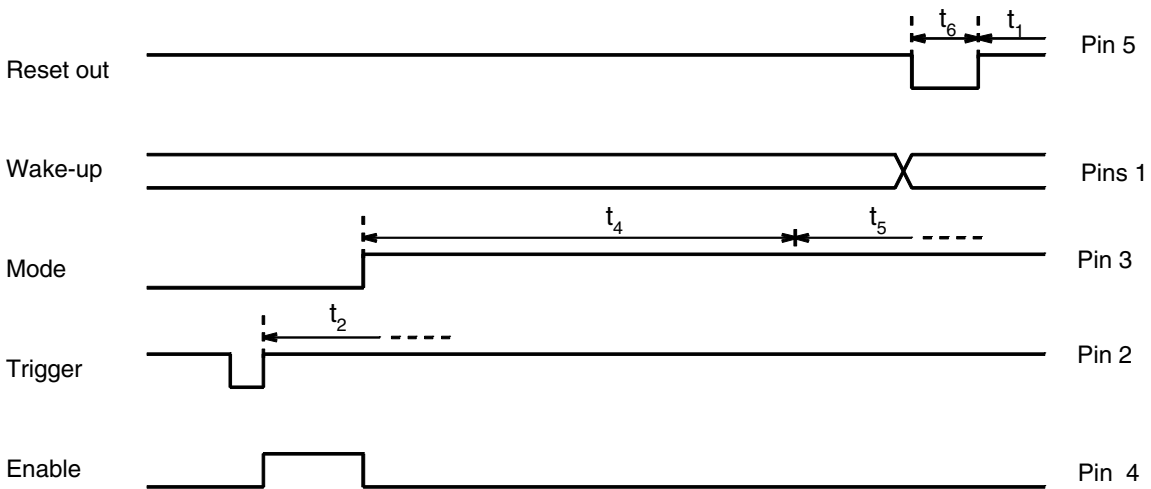


Figure 4-5 shows the switch-over from the short to the long watchdog mode. The wake-up signal during the enable time, t_5 , activates a reset pulse, t_6 .

The watchdog can be switched back from the long to the short watchdog mode with a low potential at the mode pin (pin 3).

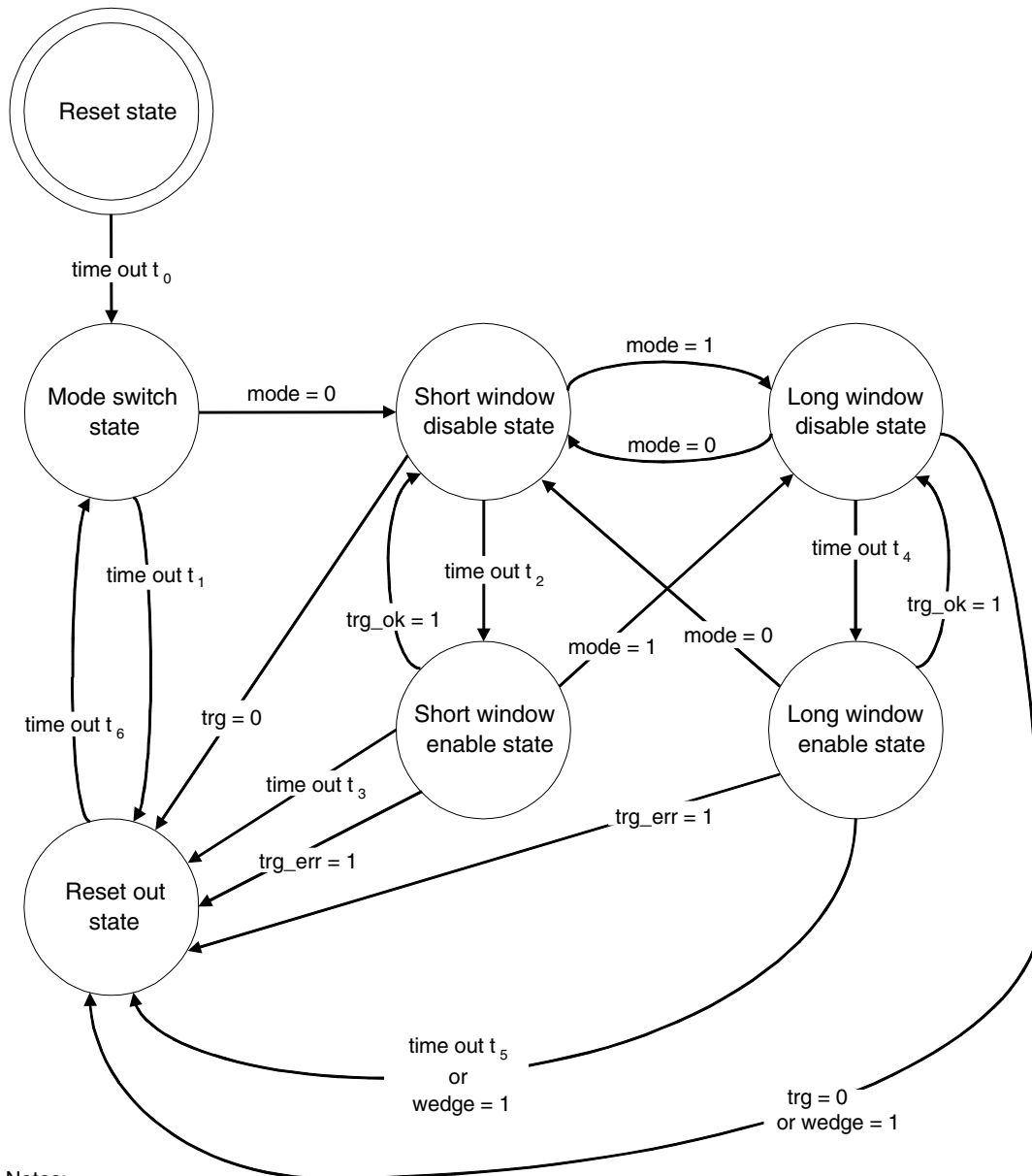
Figure 4-5. Pulse Diagram of the Long Watchdog Time



5. State Diagram

The kernel of the watchdog is a finite state machine. Figure 5-1 shows the state diagram with all possible states and transmissions. Many transmissions are controlled by an internal timer. The numbers for the time-outs are the same as on the pulse diagrams.

Figure 5-1. State Diagram



Notes:

- "mode" and "trg" are the debounced input signals from the pins MODE and TRG
- trg_ok = 1 after the rising edge of the trg signal
- trg_err = 1 when the trg signal low period is too long
- wedge = 1 after detecting the debounced changing of a signal level from the WUP pin
- Every state change restarts the internal timer
- If a state change is generated from an external debounced pin signal exactly one clock cycle before the internal timer initiates a state change itself, the state machine changes its state twice. The first state change is created by the signal change, and the second by the timeout of the internal timer. This occurs due to the timer getting its reset one clock cycle after a state change.

6. Absolute Maximum Ratings

Stresses beyond those listed under “Absolute Maximum Ratings” may cause permanent damage to the device. This is a stress rating only and functional operation of the device at these or any other conditions beyond those indicated in the operational sections of this specification is not implied. Exposure to absolute maximum rating conditions for extended periods may affect device reliability.

| Parameters | Symbol | Value | Unit |
|---------------------------|-----------|----------------------------|--------------|
| Supply voltage | V_{DD} | 6.5 | V |
| Output current | I_{OUT} | ± 2 | mA |
| Input voltage | V_{IN} | -0.4 V to $V_{DD} + 0.4$ V | V |
| Ambient temperature range | T_{amb} | -40 to +125 | $^{\circ}$ C |
| Storage temperature range | T_{stg} | -55 to +150 | $^{\circ}$ C |

7. Thermal Resistance

| Parameters | Symbol | Value | Unit |
|------------------|------------|-------|------|
| Junction ambient | R_{thJA} | 180 | K/W |

8. Electrical Characteristics

$V_{DD} = 5$ V; $T_{amb} = -40^{\circ}$ C to $+85^{\circ}$ C; reference point is pin 7, unless otherwise specified

| Parameters | Test Conditions | Pin | Symbol | Min. | Typ. | Max. | Unit |
|------------------------------|--|---------|----------------|----------------|------|----------------|----------|
| Supply voltage | | 6 | V_{DD} | 4.5 | | 5.5 | V |
| Current consumption | $R_1 = 66$ k Ω | 6 | I_{DD} | | | 60 | μ A |
| Power-on reset | Release reset state with rising voltage | 6 | V_{POR1} | 3.9 | | 4.5 | V |
| | Get reset state with falling voltage | 6 | V_{POR2} | 3.8 | | 4.4 | V |
| Power-on reset hysteresis | | | V_{POR_hys} | 40 | | 200 | mV |
| Reset level for low V_{DD} | $V_{DD} = 1$ V to V_{POR1} $I_{RST} = -300$ μ A | | V_{RST} | | | 0.1 | V_{DD} |
| Inputs | | 1, 2, 3 | | | | | |
| Logical “high” | | | V_{IH} | 3.4 | | | V |
| Logical “low” | | | V_{IL} | | | 1.6 | V |
| Hysteresis | | | V_{IN_hys} | 0.6 | | 1.4 | V |
| Input voltage range | | | V_{IN} | -0.3 | | $V_{DD} + 0.3$ | V |
| Input current | | 2, 3 | I_{IN1} | 5 | | 20 | μ A |
| Input current | | 1 | I_{IN2} | -20 | | -5 | μ A |
| Outputs | | | | | | | |
| Maximum output current | | 4, 5 | I_{OUT} | -2 | | 2 | mA |
| Logical output “low” | $I_{OUT} = -1$ mA | 4, 5 | V_{OL} | | | 0.2 | V |
| Logical output “high” | $I_{OUT} = -1$ mA | 4 | V_{OH} | $V_{DD} - 0.2$ | | | V |
| Leakage current | $V_{OUT} = 5$ V | 5 | I_{leak} | | | 2 | μ A |

8. Electrical Characteristics (Continued)

$V_{DD} = 5\text{ V}$; $T_{amb} = -40^{\circ}\text{C}$ to $+85^{\circ}\text{C}$; reference point is pin 7, unless otherwise specified

| Parameters | Test Conditions | Pin | Symbol | Min. | Typ. | Max. | Unit |
|------------------------------------|--|------|--------------|------|--------|------|-------|
| Timing | | | | | | | |
| Frequency deviation ⁽¹⁾ | $R_1 = 66\text{ k}\Omega$, $C_1 = 470\text{ pF}$, $V_{DD} = 4.5\text{ V}$ to 5.5 V | | Δf | | | 5 | % |
| Debounce time | | 2, 3 | | 3 | | 4 | Cycle |
| Debounce time | | 1 | | 96 | | 128 | Cycle |
| Maximum trigger pulse length | | | t_{trgmax} | | 45 | | Cycle |
| Power-up reset time | | | t_0 | | 201 | | Cycle |
| Switch over mode time | | | t_1 | | 1,112 | | Cycle |
| Disable time | Short watchdog window | | t_2 | | 130 | | Cycle |
| Enable time | Short watchdog window | | t_3 | | 124 | | Cycle |
| Disable time | Long watchdog window | | t_4 | | 71,970 | | Cycle |
| Enable time | Long watchdog window | | t_5 | | 30,002 | | Cycle |
| Reset-out time | | | t_6 | | 40 | | Cycle |

Note: 1. Frequency deviation also depends on the tolerances of the external components

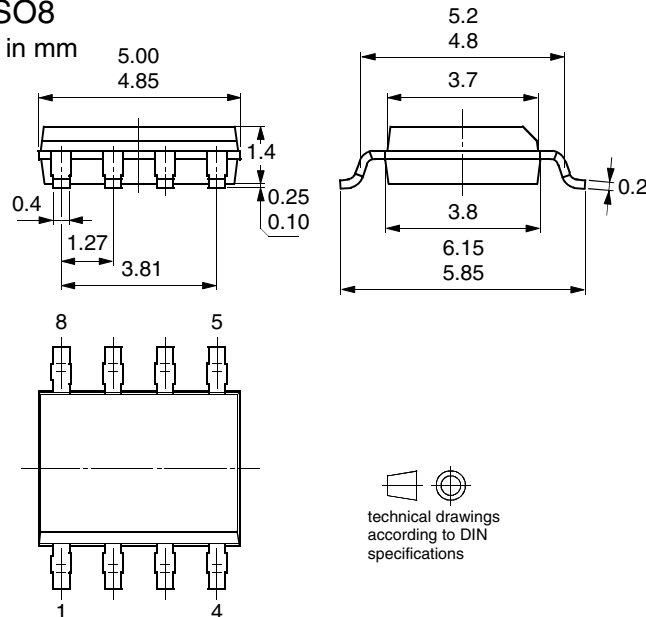
9. Ordering Information

| Extended Type Number | Package | Remarks |
|----------------------|---------|---------------------------|
| U5021M-NFPY | SO8 | Tubed, Pb-free |
| U5021M-NFPG3Y | SO8 | Taped and reeled, Pb-free |

10. Package Information

Package SO8

Dimensions in mm



11. Revision History

Please note that the following page numbers referred to in this section refer to the specific revision mentioned, not to this document.

| Revision No. | History |
|------------------|--|
| 4756D-AUTO-11/05 | <ul style="list-style-type: none">• Put datasheet in a new template• First page: Pb-free logo added• Page 7: figure 5-1 changed• Page 9: Ordering Information changed |
| 4756C-AUTO-09/04 | <ul style="list-style-type: none">• Electrical Characteristics Table, page 8, row “Reset capability” changed in “Reset level for low VDD” |
| 4756B-AUTO-07/04 | <ul style="list-style-type: none">• Electrical Characteristics Table, page 8, row “Reset capability” added |



Atmel Corporation

2325 Orchard Parkway
San Jose, CA 95131, USA
Tel: 1(408) 441-0311
Fax: 1(408) 487-2600

Regional Headquarters

Europe

Atmel Sarl
Route des Arsenaux 41
Case Postale 80
CH-1705 Fribourg
Switzerland
Tel: (41) 26-426-5555
Fax: (41) 26-426-5500

Asia

Room 1219
Chinachem Golden Plaza
77 Mody Road Tsimshatsui
East Kowloon
Hong Kong
Tel: (852) 2721-9778
Fax: (852) 2722-1369

Japan

9F, Tonetsu Shinkawa Bldg.
1-24-8 Shinkawa
Chuo-ku, Tokyo 104-0033
Japan
Tel: (81) 3-3523-3551
Fax: (81) 3-3523-7581

Atmel Operations

Memory

2325 Orchard Parkway
San Jose, CA 95131, USA
Tel: 1(408) 441-0311
Fax: 1(408) 436-4314

Microcontrollers

2325 Orchard Parkway
San Jose, CA 95131, USA
Tel: 1(408) 441-0311
Fax: 1(408) 436-4314

La Chantrerie
BP 70602
44306 Nantes Cedex 3, France
Tel: (33) 2-40-18-18-18
Fax: (33) 2-40-18-19-60

ASIC/ASSP/Smart Cards

Zone Industrielle
13106 Rousset Cedex, France
Tel: (33) 4-42-53-60-00
Fax: (33) 4-42-53-60-01

1150 East Cheyenne Mtn. Blvd.
Colorado Springs, CO 80906, USA
Tel: 1(719) 576-3300
Fax: 1(719) 540-1759

Scottish Enterprise Technology Park
Maxwell Building
East Kilbride G75 0QR, Scotland
Tel: (44) 1355-803-000
Fax: (44) 1355-242-743

RF/Automotive

Theresienstrasse 2
Postfach 3535
74025 Heilbronn, Germany
Tel: (49) 71-31-67-0
Fax: (49) 71-31-67-2340

1150 East Cheyenne Mtn. Blvd.
Colorado Springs, CO 80906, USA
Tel: 1(719) 576-3300
Fax: 1(719) 540-1759

Biometrics/Imaging/Hi-Rel MPU/ High Speed Converters/RF Datacom

Avenue de Rochepleine
BP 123
38521 Saint-Egreve Cedex, France
Tel: (33) 4-76-58-30-00
Fax: (33) 4-76-58-34-80

Literature Requests

www.atmel.com/literature

Disclaimer: The information in this document is provided in connection with Atmel products. No license, express or implied, by estoppel or otherwise, to any intellectual property right is granted by this document or in connection with the sale of Atmel products. **EXCEPT AS SET FORTH IN ATMEL'S TERMS AND CONDITIONS OF SALE LOCATED ON ATMEL'S WEB SITE, ATMEL ASSUMES NO LIABILITY WHATSOEVER AND DISCLAIMS ANY EXPRESS, IMPLIED OR STATUTORY WARRANTY RELATING TO ITS PRODUCTS INCLUDING, BUT NOT LIMITED TO, THE IMPLIED WARRANTY OF MERCHANTABILITY, FITNESS FOR A PARTICULAR PURPOSE, OR NON-INFRINGEMENT. IN NO EVENT SHALL ATMEL BE LIABLE FOR ANY DIRECT, INDIRECT, CONSEQUENTIAL, PUNITIVE, SPECIAL OR INCIDENTAL DAMAGES (INCLUDING, WITHOUT LIMITATION, DAMAGES FOR LOSS OF PROFITS, BUSINESS INTERRUPTION, OR LOSS OF INFORMATION) ARISING OUT OF THE USE OR INABILITY TO USE THIS DOCUMENT, EVEN IF ATMEL HAS BEEN ADVISED OF THE POSSIBILITY OF SUCH DAMAGES.** Atmel makes no representations or warranties with respect to the accuracy or completeness of the contents of this document and reserves the right to make changes to specifications and product descriptions at any time without notice. Atmel does not make any commitment to update the information contained herein. Unless specifically provided otherwise, Atmel products are not suitable for, and shall not be used in, automotive applications. Atmel's products are not intended, authorized, or warranted for use as components in applications intended to support or sustain life.

© Atmel Corporation 2005. All rights reserved. Atmel®, logo and combinations thereof, Everywhere You Are® and others, are registered trademarks or trademarks of Atmel Corporation or its subsidiaries. Other terms and product names may be trademarks of others.



Printed on recycled paper.