

## 阅读申明

- 1.本站收集的数据手册和产品资料都来自互联网，版权归原作者所有。如读者和版权方有任何异议请及时告之，我们将妥善解决。
- 2.本站提供的中文数据手册是英文数据手册的中文翻译，其目的是协助用户阅读，该译文无法自动跟随原稿更新，同时也可能存在翻译上的不当。建议读者以英文原稿为参考以便获得更精准的信息。
- 3.本站提供的产品资料，来自厂商的技术支持或者使用者的心得体会等，其内容可能存在描述上的差异，建议读者做出适当判断。
- 4.如需与我们联系，请发邮件到marketing@iczoom.com，主题请标有“数据手册”字样。

## Read Statement

1. The datasheets and other product information on the site are all from network reference or other public materials, and the copyright belongs to the original author and original published source. If readers and copyright owners have any objections, please contact us and we will deal with it in a timely manner.
2. The Chinese datasheets provided on the website is a Chinese translation of the English datasheets. Its purpose is for reader's learning exchange only and do not involve commercial purposes. The translation cannot be automatically updated with the original manuscript, and there may also be improper translations. Readers are advised to use the English manuscript as a reference for more accurate information.
3. All product information provided on the website refer to solutions from manufacturers' technical support or users the contents may have differences in description, and readers are advised to take the original article as the standard.
4. If you have any questions, please contact us at marketing@iczoom.com and mark the subject with "Datasheets" .

# KA75XXX

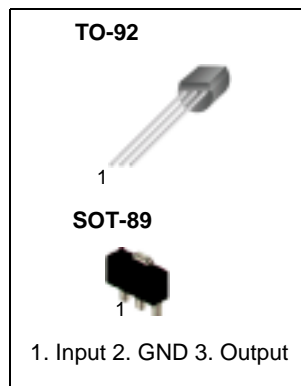
## Voltage Detector

### Features

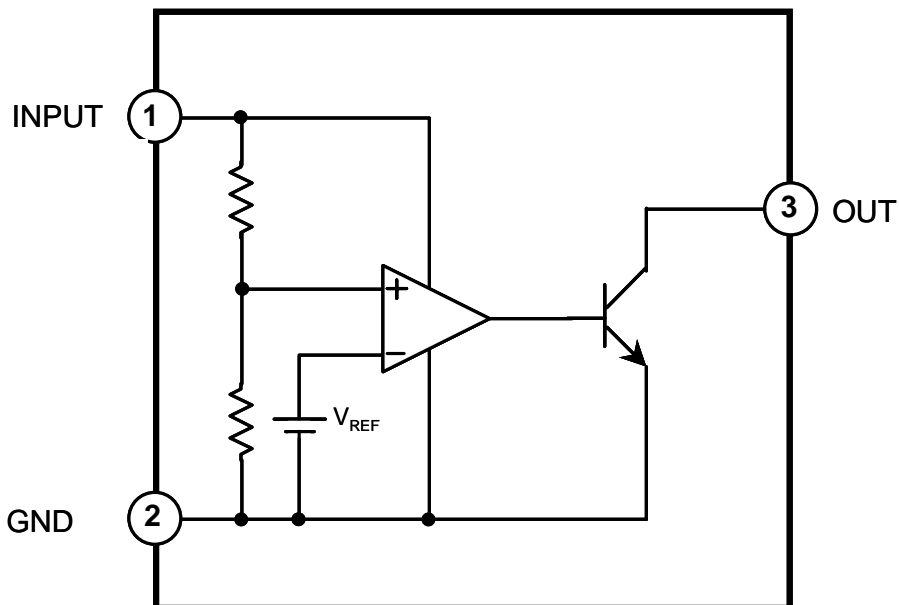
- Detecting Against Error Operations At The Power On/off.
- Resetting Function For The Low Voltage Microprocessor.
- Checking Low Battery

### Description

The KA75250/KA75270/KA75290/KA75310/KA75330/KA75360/KA75390/KA75420/KA75450 prevents the error of system from supply voltage below normal voltage level at the time the power on and instantaneous power off in systems.



### Internal Block Diagram

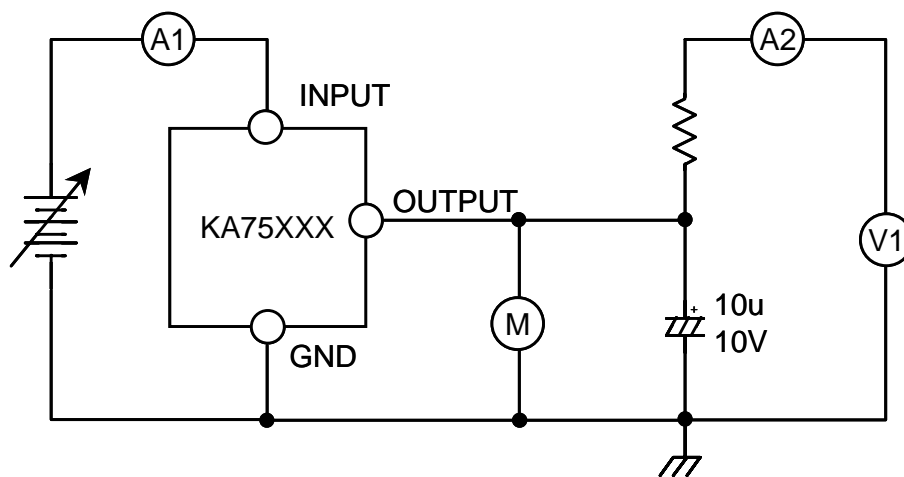
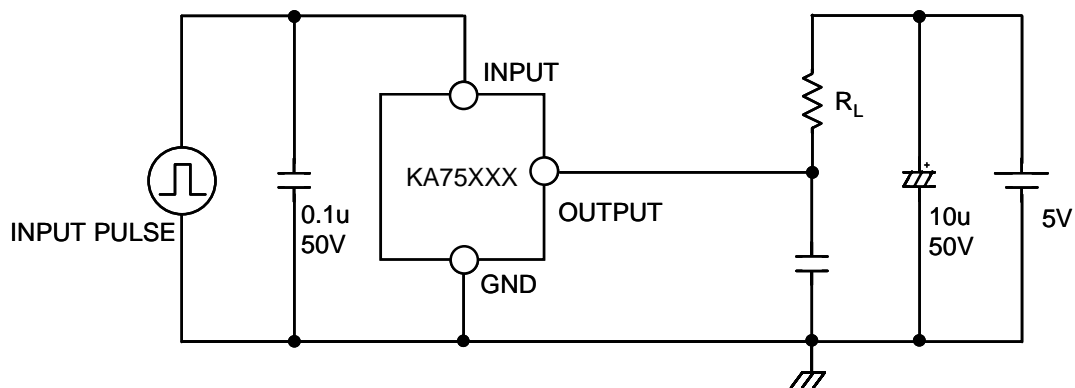
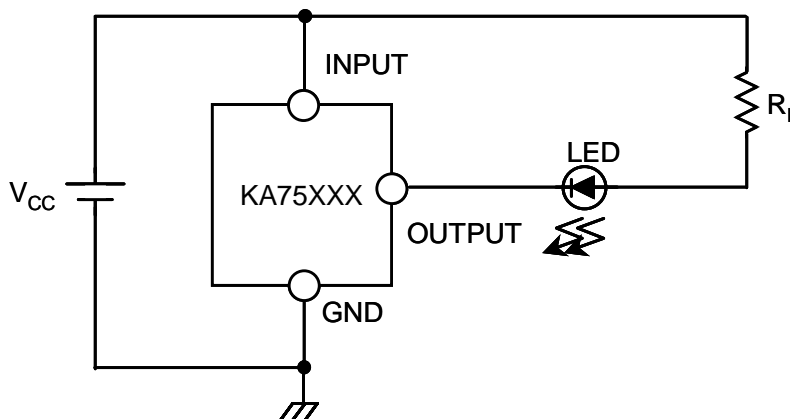


**Absolute Maximum Rating (TA=25°C)**

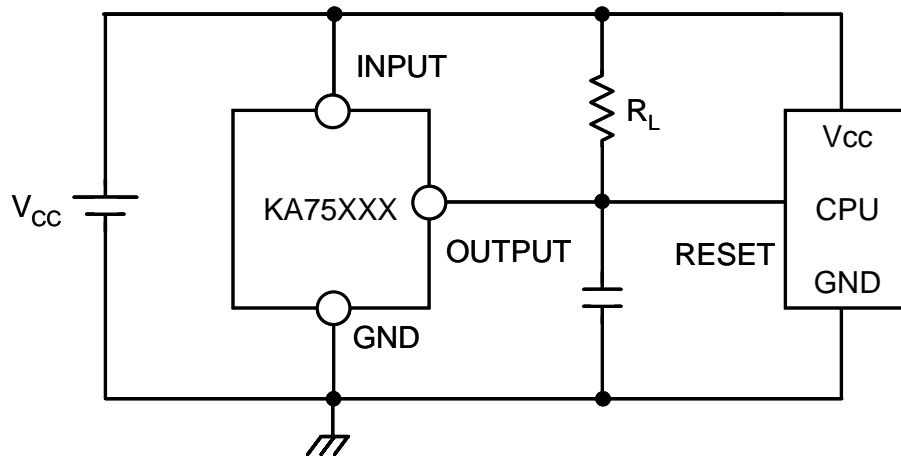
Characteristic	Symbol	Value	Unit
Supply Voltage	V <sub>CC</sub>	0.3 ~ +15.0	V
Detecting Voltage	V <sub>DET</sub>	2.5/2.7/2.9/3.1 3.3/3.6/3.9/4.2/4.5	V
Hysteresis Voltage	V <sub>HYS</sub>	50	mV
Operating Temperature	T <sub>OPR</sub>	-25 ~ +85	°C
Storage Temperature	T <sub>STG</sub>	-50 ~ +150	°C
Power Dissipation TO-92 SOT-89	P <sub>D</sub>	200 500	mW
Detecting Voltage Temperature Coefficient	$\Delta V_{DET}/\Delta T$	R <sub>L</sub> = 200Ω, +0.01	%/°C

**Electrical Characteristics (TA=25°C)**

Characteristic	Symbol	Test Conditions	Min	Typ	Max	Unit	
Detecting Voltage	V <sub>DET</sub>	R <sub>L</sub> = 200Ω	KA75250	2.35	2.5	2.65	V
		V <sub>OL</sub> ≤ 0.4V	KA75270	2.55	2.7	2.85	
			KA75290	2.75	2.9	3.05	
			KA75310	2.95	3.1	3.25	
			KA75330	3.15	3.3	3.45	
			KA75360	3.45	3.6	3.75	
			KA75390	3.75	3.9	4.05	
			KA75420	4.05	4.2	4.35	
			KA75450	4.35	4.5	4.65	
Low Output Voltage	V <sub>OL</sub>	R <sub>L</sub> = 200Ω	-	-	0.4	V	
Output Leakage Current	I <sub>LKG</sub>	V <sub>CC</sub> = 15V	-	-	0.1	μA	
Hysteresis Voltage	V <sub>HYS</sub>	R <sub>L</sub> = 200Ω	30	50	100	mV	
Detecting Voltage Temperature Coefficient	$\Delta V_{DET}/\Delta T$	R <sub>L</sub> = 200Ω	-	±0.01	-	%/°C	
Circuit Current(At On Time)	I <sub>CC</sub>	V <sub>CC</sub> = V <sub>DET</sub> (MIN) - 0.05V	-	300	500	μA	
Circuit Current(At Off Time)	I <sub>CC</sub>	V <sub>CC</sub> = 5.25V	-	30	50	μA	
Threshold Operating Voltage	V <sub>TH(OPR)</sub>	R <sub>L</sub> = 200Ω, V <sub>OL</sub> ≤ 0.4V	-	0.8	1.0	V	
" L"± Transmission Delay Time	T <sub>OL</sub>	R <sub>L</sub> = 1.0kΩ, C <sub>L</sub> = 100pF	0.6	10	-	μs	
" H"± Transmission Delay Time	T <sub>OH</sub>	R <sub>L</sub> = 1.0kΩ, C <sub>L</sub> = 100pF	-	15	20	μs	
Output Current (At On Time)	I <sub>OLI</sub>	V <sub>CC</sub> = V <sub>DET</sub> (MIN) - 0.05V, T <sub>A</sub> = 25°C	10	20	30	mA	
Output Current (At On Time)	I <sub>OLII</sub>	V <sub>CC</sub> = V <sub>DET</sub> (MIN) - 0.05V T <sub>A</sub> = -25 ~ +85°C	8	16	30	mA	

**Test Circuit 1.****Test Circuit 2.****Test Circuit 3.**

## Application Circuit

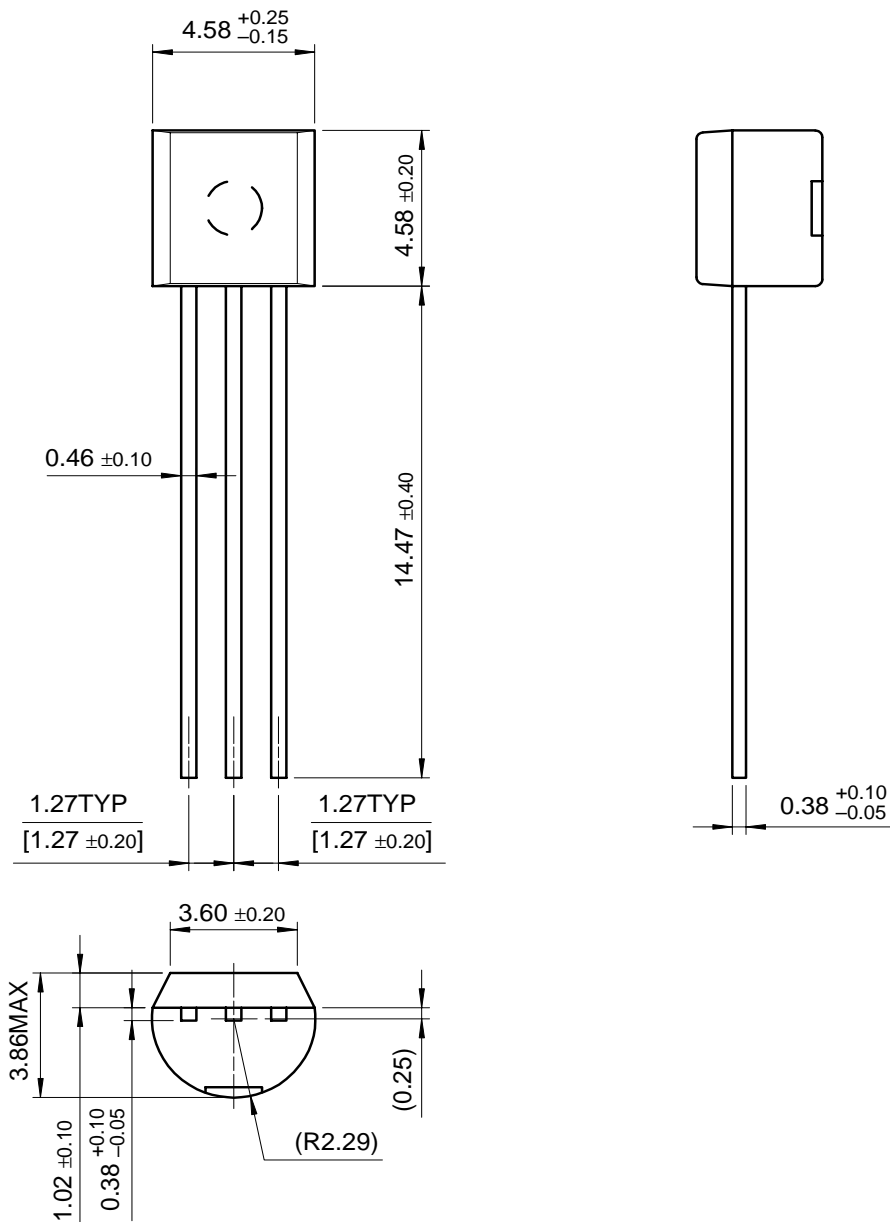


# Mechanical Dimensions

## Package

Dimensions in millimeters

### TO-92

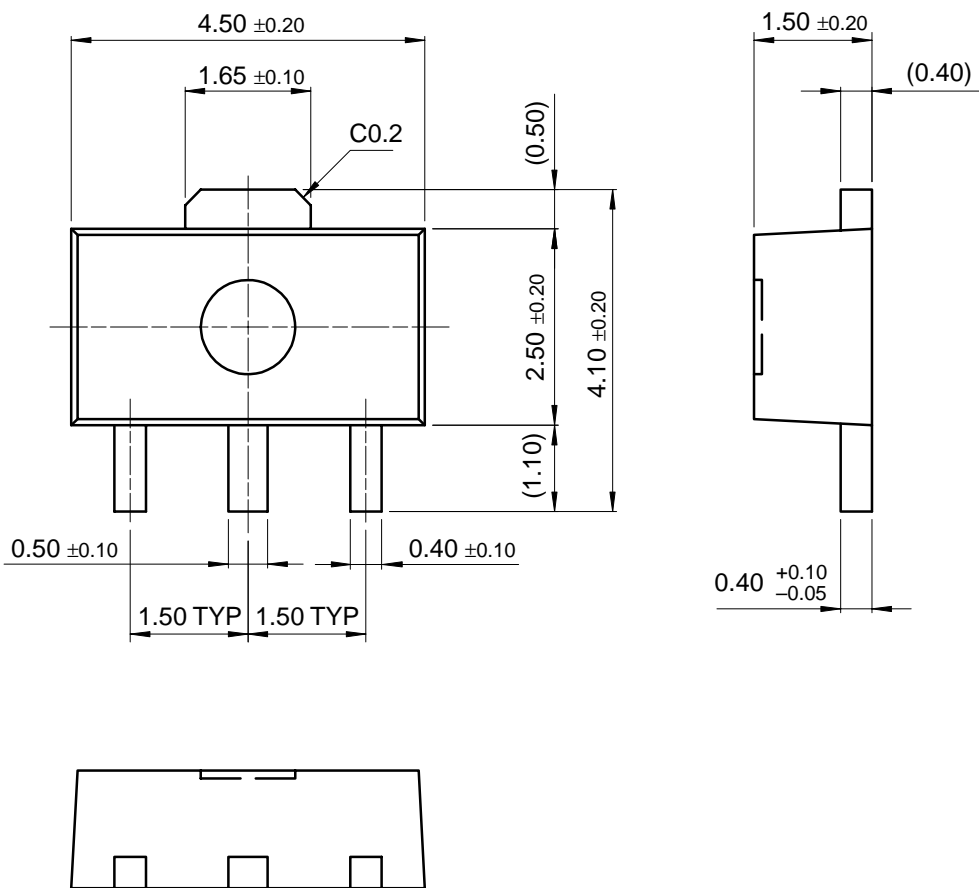


# Mechanical Dimensions (Continued)

Package

Dimensions in millimeters

## SOT-89



## Ordering Information

Product Number	Package	Operating Temperature
KA75250Z	TO-92	-25 ~ +85°C
KA75270Z		
KA75290Z		
KA75310Z		
KA75330Z		
KA75360Z		
KA75390Z		
KA75420Z		
KA75450Z		
KA75250M	SOT-89	
KA75270M		
KA75290M		
KA75310M		
KA75330M		
KA75360M		
KA75390M		
KA75420M		
KA75450M		



**DISCLAIMER**

FAIRCHILD SEMICONDUCTOR RESERVES THE RIGHT TO MAKE CHANGES WITHOUT FURTHER NOTICE TO ANY PRODUCTS HEREIN TO IMPROVE RELIABILITY, FUNCTION OR DESIGN. FAIRCHILD DOES NOT ASSUME ANY LIABILITY ARISING OUT OF THE APPLICATION OR USE OF ANY PRODUCT OR CIRCUIT DESCRIBED HEREIN; NEITHER DOES IT CONVEY ANY LICENSE UNDER ITS PATENT RIGHTS, NOR THE RIGHTS OF OTHERS.

**LIFE SUPPORT POLICY**

FAIRCHILD'S PRODUCTS ARE NOT AUTHORIZED FOR USE AS CRITICAL COMPONENTS IN LIFE SUPPORT DEVICES OR SYSTEMS WITHOUT THE EXPRESS WRITTEN APPROVAL OF THE PRESIDENT OF FAIRCHILD SEMICONDUCTOR CORPORATION. As used herein:

1. Life support devices or systems are devices or systems which, (a) are intended for surgical implant into the body, or (b) support or sustain life, and (c) whose failure to perform when properly used in accordance with instructions for use provided in the labeling, can be reasonably expected to result in a significant injury of the user.
2. A critical component in any component of a life support device or system whose failure to perform can be reasonably expected to cause the failure of the life support device or system, or to affect its safety or effectiveness.