

阅读申明

- 1.本站收集的数据手册和产品资料都来自互联网，版权归原作者所有。如读者和版权方有任何异议请及时告之，我们将妥善解决。
- 2.本站提供的中文数据手册是英文数据手册的中文翻译，其目的是协助用户阅读，该译文无法自动跟随原稿更新，同时也可能存在翻译上的不当。建议读者以英文原稿为参考以便获得更精准的信息。
- 3.本站提供的产品资料，来自厂商的技术支持或者使用者的心得体会等，其内容可能存在描述上的差异，建议读者做出适当判断。
- 4.如需与我们联系，请发邮件到marketing@iczoom.com，主题请标有“数据手册”字样。

Read Statement

1. The datasheets and other product information on the site are all from network reference or other public materials, and the copyright belongs to the original author and original published source. If readers and copyright owners have any objections, please contact us and we will deal with it in a timely manner.
2. The Chinese datasheets provided on the website is a Chinese translation of the English datasheets. Its purpose is for reader's learning exchange only and do not involve commercial purposes. The translation cannot be automatically updated with the original manuscript, and there may also be improper translations. Readers are advised to use the English manuscript as a reference for more accurate information.
3. All product information provided on the website refer to solutions from manufacturers' technical support or users the contents may have differences in description, and readers are advised to take the original article as the standard.
4. If you have any questions, please contact us at marketing@iczoom.com and mark the subject with "Datasheets" .

VARIOFACE System Connection for PLC-INTERFACE PLC-V8/... and PLC-V8L/...

1. Brief Description

PLC-V8/FLK14/... are new VARIOFACE adapters, which connect the PLC-INTERFACE with the VARIOFACE system cabling. The PLC-V8 adapter is simply inserted in the jumper slots of eight PLC-INTERFACE modules mounted side by side. No additional tools are required. This results in an 8-channel relay or optocoupler module with a width of less than 50 mm (1.969 in.). The insertion of electromechanical or solid-state relays can be freely selected for each channel.

The various adapters for input/output functions can be recognized by their designations, which end with IN or OUT. Adapters with universal 15-pos. D-SUB connections are available with the **PLC-V8/D15....**

PLC-V8L/... adapters connect the PLC-INTERFACE 14 mm (0.551 in.) series (two Form C contacts, versions for high inrush current (IC), and high continuous current (HC)) with the VARIOFACE system cabling.

The **cross list** on this page enables the quick and precise selection of the appropriate adapter for the selected PLC-INTERFACE.



Cross list PLC-V8...

PLC-INTERFACE

| | | |
|-----------------------------|---|---|
| PLC-R...-12DC/21AU | • | |
| PLC-R...-24DC/21AU | • | • |
| PLC-R...-24UC/21AU | • | • |
| PLC-R...-48DC/21AU | • | |
| PLC-R...-60DC/21AU | • | |
| PLC-R...-120UC/21AU | • | |
| PLC-R...-230UC/21AU | • | |
| PLC-R...-24DC/21 | | • |
| PLC-R...-24UC/21 | | • |
| PLC-O...-24DC/48DC/100 | • | • |
| PLC-O...-48DC/48DC/100 | • | |
| PLC-O...-60DC/48DC/100 | • | |
| PLC-O...-120UC/48DC/100 | • | |
| PLC-O...-230UC/48DC/100 | • | |
| PLC-O...-24DC/24DC/2 | | • |
| PLC-O...-24DC/230AC/1 | | • |
| PLC-R...-24DC/1ACT | | • |
| PLC-O...-24DC/24DC/2/ACT | | • |
| PLC-OSC-24DC/230AC/1/ACT | | • |
| PLC-R...-24DC/1AU/SEN | • | |
| PLC-R...-120UC/1AU/SEN | • | |
| PLC-R...-230UC/1AU/SEN | • | |
| PLC-O...-24DC/48DC/100/SEN | • | |
| PLC-O...-120UC/48DC/100/SEN | • | |
| PLC-O...-230UC/48DC/100/SEN | • | |
| PLC-VT | • | • |
| PLC-VT/LA | • | • |
| PLC-VT/AKT | | • |
| PLC-VT/AKT/LA | | • |

Adapter PLC-V8/.../ IN

Adapter PLC-V8/.../ OUT

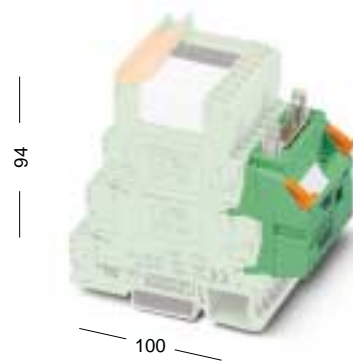
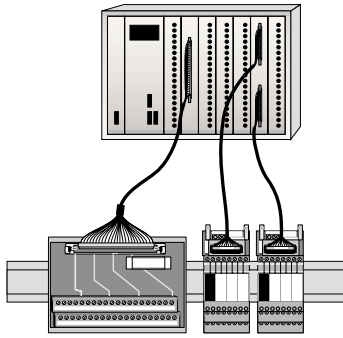
Cross list PLC-V8L...

PLC-INTERFACE

| | |
|----------------------|---|
| PLC-RSC-24DC/21/21 | • |
| PLC-RSC-24UC/21/21 | • |
| PLC-RSC-24DC/21/21AU | • |
| PLC-RSC-24UC/21/21AU | • |
| PLC-RSC-24DC/1-1/ACT | • |
| PLC-RSC-24DC/1IC/ACT | • |
| PLC-RSC-24DC/HC | • |

Adapter PLC-V8L/.../ OUT

2. Technical Data



PLC-V8/FLK14/...

VARIOFACE adapter for 6.2 mm (0.244 in.) PLC-INTERFACE

Housing width 49.6 mm (1.953 in.)

| M 3 | solid | | flexible | |
|-----------------|--------------------|----------|----------|---|
| | [mm ²] | | AWG | |
| Connection data | 0.2 - 4 | 0.2 -2.5 | 24 - 12 | 8 |

Description

VARIOFACE output adapter, for 8 PLC interfaces, with 14-pos. flat-ribbon cable connection, for PLC system cabling

VARIOFACE input adapter, for 8 PLC interfaces, with 14-pos. flat-ribbon cable connection, for PLC system cabling

Type

PLC-V8/FLK14/OUT

Order No.

22 95 55 4

Pcs. Pkt.

1

PLC-V8/FLK14/IN

22 96 55 3

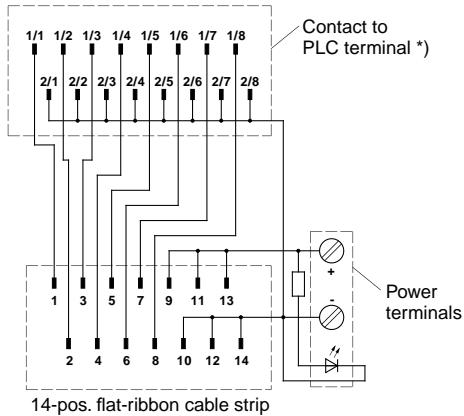
1

Technical Data

Operating voltage
 Maximum permissible current: Per signal path
 Voltage supply
 Ambient operating temperature range
 Test voltage
 Connection type: Signal level
 Standards/specifications Voltage supply

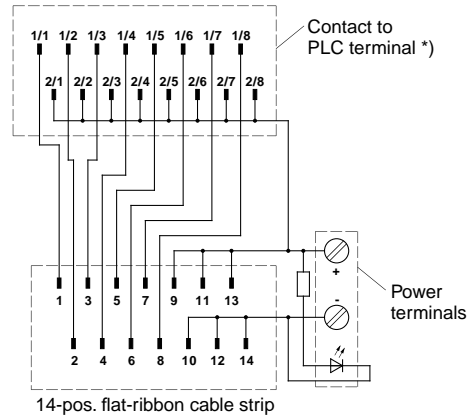
24 V DC ±10%
 1 A
 3 A
 -20°C to +60°C (-4°F to +140°F)
 0.5 kV AC (60 s)
 14-pos. flat-ribbon cable male connector according to IEC 603-1/DIN 41 651
 Screw-cage connection 0.2 - 2.5 mm² (24 - 12 AWG)
 IEC 664 (1980)/IEC 664A (1981)
 DIN VDE 0110/(1.89)
 Degree of pollution 2
 Surge Voltage Category III

Connection diagram for the PLC-V8/FLK14/OUT



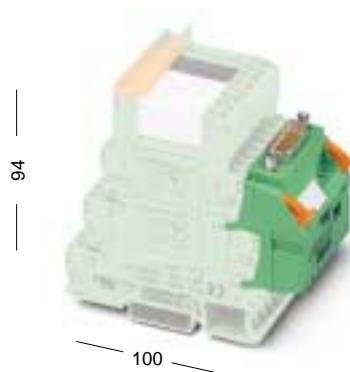
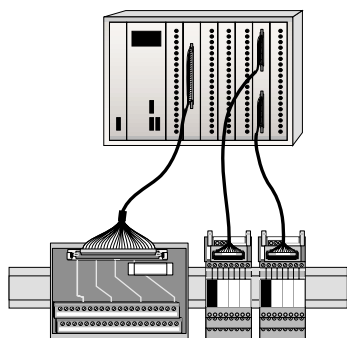
*) See last page

Connection diagram for the PLC-V8/FLK14/IN



*) See last page

VARIOFACE System Connection for PLC-INTERFACE (6.2 mm [0.244 in.]) – PLC-V8/...



PLC-V8/D15...

VARIOFACE adapter for 6.2 mm (0.244 in.) PLC-INTERFACE

Housing width 49.6 mm (1.953 in.)

| | solid [mm ²] | flexible AWG |
|-----------------|-----------------------------|-------------------|
| Connection data | 0.2 - 4 | 0.2 - 2.5 24 - 12 |

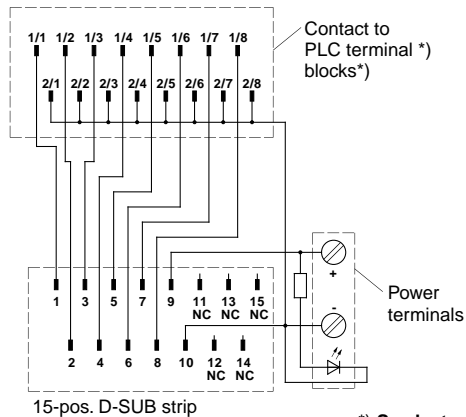
| Description | Male connector | Female connector |
|---|----------------|------------------|
| VARIOFACE output adapter , for 8 PLC interfaces, with 15-pos. D-SUB connection | | |
| | Male connector | Female connector |
| VARIOFACE input adapter , for 8 PLC interfaces, with 15-pos. D-SUB connection | | |
| | Male connector | Female connector |

| Technical Data | |
|-------------------------------------|-----------------------------------|
| Operating voltage | 24 V DC ±10% |
| Maximum permissible current: | Per signal path Voltage supply |
| 1 A | |
| 3 A | |
| Ambient operating temperature range | -20°C to +60°C (-4°F to +140°F) |
| Test voltage | 0.5 kV AC (60 s) |
| Connection type: | Signal level |
| | Voltage supply |
| Standards/specifications | |

| Type | Order No. | Pcs. Pkt. |
|------------------------|-------------------|-----------|
| PLC-V8/D15S/OUT | 22 96 05 8 | 1 |
| PLC-V8/D15B/OUT | 22 96 06 1 | 1 |
| PLC-V8/D15S/IN | 22 96 07 4 | 1 |
| PLC-V8/D15B/IN | 22 96 08 7 | 1 |

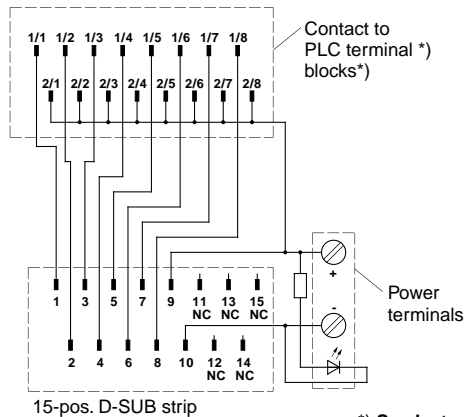
| |
|--|
| 24 V DC ±10% |
| 1 A |
| 3 A |
| -20°C to +60°C (-4°F to +140°F) |
| 0.5 kV AC (60 s) |
| 15-pos. D-SUB male connector according to IEC 807-2/DIN 41.652 |
| Screw-cage connection 0.2 - 2.5 mm ² (24 - 12 AWG) |
| IEC 664 (1980)/IEC 664A (1981) |
| DIN VDE 0110/(1.89) |
| Degree of pollution 2 |
| Surge Voltage Category III |

Connection diagram for the PLC-V8/D15S/OUT PLC-V8/D15B/OUT



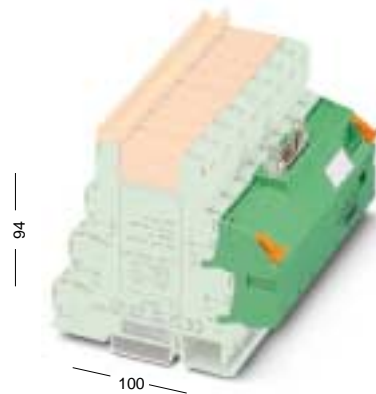
*) See last page

Connection diagram for the PLC-V8/D15S/IN PLC-V8/D15B/IN



*) See last page

VARIOFACE System Connection for PLC-INTERFACE (14 mm [0.551 in.]) – PLC-V8L/...



PLC-V8L/FLK14/OUT

VARIOFACE adapter for 14 mm (0.551 in.) PLC-INTERFACE

Housing width 112.3 mm (4.421 in.)

| | solid [mm ²] | flexible | AWG |
|-----------------|-----------------------------|-----------|---------|
| Connection data | 0.2 - 4 | 0.2 - 2.5 | 24 - 12 |

Description

VARIOFACE output adapter, for 8 PLC interfaces (14 mm [0.551 in.]), with 14-pos. flat-ribbon cable connection, for PLC system cabling

Technical Data

| | | |
|-------------------------------------|--|-----------------------------------|
| Operating voltage | | |
| Maximum permissible current: | | Per signal path Voltage supply |
| Ambient operating temperature range | | |
| Test voltage | | |
| Connection type: | | Signal level |
| | | Voltage supply |
| Standards/specifications | | |

Type

PLC-V8L/FLK14/OUT

Order No.

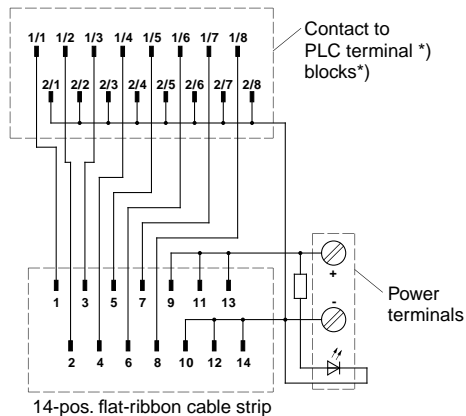
22 99 66 0

Pcs. Pkt.

1

24 V DC $\pm 10\%$
 1 A
 3 A
 -20°C to +50°C (-4°F to +122°F)
 0.5 kV AC (60 s)
 14-pos. flat-ribbon cable male connector according to IEC 603-1/DIN 41 651
 Screw-cage connection 0.2 - 2.5 mm² (24 - 12 AWG)
 IEC 664 (1980)/IEC 664A (1981)
 DIN VDE 0110/(1.89)
 Degree of pollution 2
 Surge Voltage Category III

Connection diagram for the PLC-V8L/FLK14/OUT



*) 1/1; 1/2; 1/3; ... 1/8 $\hat{=}$ Lower jumper level of PLC-INTERFACE
 2/1; 2/2; 2/3; ... 2/8 $\hat{=}$ Upper jumper level of PLC-INTERFACE