

阅读申明

- 1.本站收集的数据手册和产品资料都来自互联网，版权归原作者所有。如读者和版权方有任何异议请及时告之，我们将妥善解决。
- 2.本站提供的中文数据手册是英文数据手册的中文翻译，其目的是协助用户阅读，该译文无法自动跟随原稿更新，同时也可能存在翻译上的不当。建议读者以英文原稿为参考以便获得更精准的信息。
- 3.本站提供的产品资料，来自厂商的技术支持或者使用者的心得体会等，其内容可能存在描述上的差异，建议读者做出适当判断。
- 4.如需与我们联系，请发邮件到marketing@iczoom.com，主题请标有“数据手册”字样。

Read Statement

1. The datasheets and other product information on the site are all from network reference or other public materials, and the copyright belongs to the original author and original published source. If readers and copyright owners have any objections, please contact us and we will deal with it in a timely manner.
2. The Chinese datasheets provided on the website is a Chinese translation of the English datasheets. Its purpose is for reader's learning exchange only and do not involve commercial purposes. The translation cannot be automatically updated with the original manuscript, and there may also be improper translations. Readers are advised to use the English manuscript as a reference for more accurate information.
3. All product information provided on the website refer to solutions from manufacturers' technical support or users the contents may have differences in description, and readers are advised to take the original article as the standard.
4. If you have any questions, please contact us at marketing@iczoom.com and mark the subject with "Datasheets" .

EMG 45-REL/IR-G 24/HWR


Order No.: 2952172



<http://eshop.phoenixcontact.de/phoenix/treeViewClick.do?UID=2952172>

Relay module, with soldered-in industrial relay, contact: 2 PDTs, for multi-input fault warnings, with input diode array in P polarity (6 diodes 1N4007) and capacitor parallel to the coil as well as a multi-input light indicator, input voltage 24 V DC



Commercial data	
GTIN (EAN)	 4 017918 084349
Note	Made-to-order
sales group	G037
Pack	5 pcs.
Customs tariff	85364190
Catalog page information	Page 117 (IF-2005)

Product notes

WEEE/RoHS-compliant since:
08/10/2006



<http://www.download.phoenixcontact.com>
Please note that the data given here has been taken from the online catalog. For comprehensive information and data, please refer to the user documentation. The General Terms and Conditions of Use apply to Internet downloads.

Technical data

Coil side

Nominal input voltage U_N	24 V DC
Input voltage range in reference to U_N	0.85 ... 1.1
Nominal input current at U_{IN}	Approx. 31 mA

Typical response time	Approx. 14 ms
Typical release time	Approx. 16 ms
Coil resistance	777 Ω
Nominal power consumption	Approx. 740 mW
Operating voltage display	LED red
Type of protection	Decoupling diodes
Protective circuit/component	Decoupling diodes
Diode type	1 N 4007
Max. operating voltage of diodes	250 V AC
Peak reverse voltage per diode	1300 V
Reverse current per diode	30 μ A
Conducting state voltage per diode	Approx. 0.8 V
Conducting state current per diode	0.7 A (with single load)
	0.2 A (with simultaneous loads)

Contact side

Contact type	Single contact, 2-PDT
Contact material	AgNi
Maximum switching voltage	250 V AC/DC
Maximum inrush current	5 A
Limiting continuous current	3 A
Interrupting rating (ohmic load) max.	750 VA

General data

Width	45 mm
Height	75 mm
Depth	82.5 mm
Test voltage relay winding/relay contact	2 kV AC (50 Hz, 1 min.)
Ambient temperature (operation)	-20 °C ... 50 °C
Ambient temperature (storage/transport)	-20 °C ... 70 °C
Mechanical service life	> 10 ⁷ cycles
Standards/regulations	DIN VDE 0110b, Gr. C for 250 V DC DIN EN 50178/DIN VDE 0160 (in relevant parts)
Pollution degree	2
Surge voltage category	II
Mounting position	Any
Assembly instructions	In rows with zero spacing

Connection data

Type of connection	Screw connection
Conductor cross section solid min.	0.2 mm ²
Conductor cross section solid max.	4 mm ²
Conductor cross section stranded min.	0.2 mm ²
Conductor cross section stranded max.	2.5 mm ²
Conductor cross section AWG/kcmil min.	24
Conductor cross section AWG/kcmil max	12
Stripping length	8 mm
Screw thread	M3

Certificates / Approvals

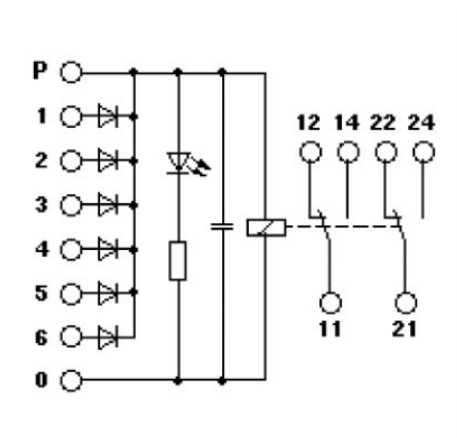


Certification

GOST

Diagrams/Drawings

Circuit diagram



Address

PHOENIX CONTACT Deutschland GmbH
Flachmarktstr. 8
32825 Blomberg, Germany
Phone +49 5235 3 12000
Fax +49 5235 3 41200
<http://www.phoenixcontact.de>



© 2011 Phoenix Contact
Technical modifications reserved;