

阅读申明

- 1.本站收集的数据手册和产品资料都来自互联网，版权归原作者所有。如读者和版权方有任何异议请及时告之，我们将妥善解决。
- 2.本站提供的中文数据手册是英文数据手册的中文翻译，其目的是协助用户阅读，该译文无法自动跟随原稿更新，同时也可能存在翻译上的不当。建议读者以英文原稿为参考以便获得更精准的信息。
- 3.本站提供的产品资料，来自厂商的技术支持或者使用者的心得体会等，其内容可能存在描述上的差异，建议读者做出适当判断。
- 4.如需与我们联系，请发邮件到marketing@iczoom.com，主题请标有“数据手册”字样。

Read Statement

1. The datasheets and other product information on the site are all from network reference or other public materials, and the copyright belongs to the original author and original published source. If readers and copyright owners have any objections, please contact us and we will deal with it in a timely manner.
2. The Chinese datasheets provided on the website is a Chinese translation of the English datasheets. Its purpose is for reader's learning exchange only and do not involve commercial purposes. The translation cannot be automatically updated with the original manuscript, and there may also be improper translations. Readers are advised to use the English manuscript as a reference for more accurate information.
3. All product information provided on the website refer to solutions from manufacturers' technical support or users the contents may have differences in description, and readers are advised to take the original article as the standard.
4. If you have any questions, please contact us at marketing@iczoom.com and mark the subject with "Datasheets" .

PSR-...- 24DC/ESD/5X1/1X2/ T...

Safety relay for emergency stop and safety door monitoring with fixed delay time



Data sheet
102100_en_01

© PHOENIX CONTACT 2013-05-13

1 Description

The **PSR-...-24DC/ESD/5X1/1X2/...T...** safety relay can be used for emergency stop and safety door monitoring in safety circuits according to DIN EN 60204-1/VDE 0113-1.

With this switching device, circuits are interrupted in a safety-oriented manner. Single-channel or two-channel control is available, either with an automatic or a manual start circuit. A connected reset button (connected to S33/S34) is monitored.

Depending on the external wiring, up to category 4, PL e according to EN ISO 13849-1 or SIL 3 according to IEC 61508 (EN 62061) can be achieved.

The safety relay is equipped with three enabling current paths that drop out without delay corresponding to stop category 0. Two other enabling current paths drop out with delay corresponding to stop category 1.

Features

- Emergency stop and safety door monitoring
- suitable up to category 4, PL e (EN ISO 13849-1), SIL 3 (IEC 61508)
- Single-channel or two-channel wiring with cross-circuit detection
- Three undelayed and two delayed enable contacts
- Fixed delay time of 0.5 to 30 s
- Automatic or manual start circuit
- Choice of screw or spring-cage terminal blocks



WARNING: Risk of electric shock

Observe the safety instructions in the corresponding section.



Make sure you always use the latest documentation.
It can be downloaded from the product at phoenixcontact.net/products.



This data sheet is valid for all products listed on the following page:

| | | |
|----------|--|----|
| 2 | Table of contents | |
| 1 | Description | 1 |
| 2 | Table of contents | 2 |
| 3 | Ordering data | 3 |
| 4 | Technical data | 4 |
| 5 | Basic circuit diagram | 7 |
| 6 | Derating | 7 |
| 7 | Safety notes | 8 |
| 8 | Operating and display unit | 9 |
| 9 | Diagnostics | 9 |
| 10 | Application example | 10 |
| | 10.1 Two-channel emergency stop circuit with cross-circuit detection | 10 |
| | 10.2 Single-channel emergency stop circuit | 10 |
| | 10.3 Two-channel monitoring with semiconductor output | 10 |

3 Ordering data

| Description | Type | Order No. | Pcs. / Pkt. |
|--|--------------------------------|-----------|-------------|
| Safety relay for emergency stop and safety door monitoring up to SIL 3 or Cat. 4, PL e according to EN ISO 13849, automatic or manual activation, 3 N/O contacts, 1 N/C contact, 2 N/O contacts with fixed 10 s dropout delay, plug-in screw connection terminal blocks | PSR-SCP- 24DC/ESD/5X1/1X2/ T10 | 2981088 | 1 |
| Safety relay for emergency stop and safety door monitoring up to SIL 3 or Cat. 4, PL e according to EN ISO 13849, automatic or manual activation, 3 N/O contacts, 1 N/C contact, 2 N/O contacts with fixed 0.5 s dropout delay, plug-in screw connection terminal blocks | PSR-SCP- 24DC/ESD/5X1/1X2/0T 5 | 2981101 | 1 |
| Safety relay for emergency stop and safety door monitoring up to SIL 3 or Cat. 4, PL e according to EN ISO 13849, automatic or manual activation, 3 N/O contacts, 1 N/C contact, 2 N/O contacts with fixed 2 s dropout delay, plug-in screw connection terminal blocks | PSR-SCP- 24DC/ESD/5X1/1X2/ T 2 | 2981125 | 1 |
| Safety relay for emergency stop and safety door monitoring up to SIL 3 or Cat. 4, PL e according to EN ISO 13849, automatic or manual activation, 3 N/O contacts, 1 N/C contact, 2 N/O contacts with fixed 0.5 s dropout delay, plug-in spring-cage connection terminal blocks | PSR-SPP- 24DC/ESD/5X1/1X2/0T 5 | 2981130 | 1 |
| Safety relay for emergency stop and safety door monitoring up to SIL 3 or Cat. 4, PL e according to EN ISO 13849, automatic or manual activation, 3 N/O contacts, 1 N/C contact, 2 N/O contacts with fixed 1.0 s dropout delay, plug-in screw connection terminal blocks | PSR-SCP- 24DC/ESD/5X1/1X2/ T 1 | 2981143 | 1 |
| Safety relay for emergency stop and safety door monitoring up to SIL 3 or Cat. 4, PL e according to EN ISO 13849, automatic or manual activation, 3 N/O contacts, 1 N/C contact, 2 N/O contacts with fixed 1.0 s dropout delay, plug-in spring-cage connection terminal blocks | PSR-SPP- 24DC/ESD/5X1/1X2/ T 1 | 2981156 | 1 |
| Safety relay for emergency stop and safety door monitoring up to SIL 3 or Cat. 4, PL e according to EN ISO 13849, automatic or manual activation, 3 N/O contacts, 1 N/C contact, 2 N/O contacts with fixed 1.5 s dropout delay, plug-in screw connection terminal blocks | PSR-SCP- 24DC/ESD/5X1/1X2/1T 5 | 2981169 | 1 |
| Safety relay for emergency stop and safety door monitoring up to SIL 3 or Cat. 4, PL e according to EN ISO 13849, automatic or manual activation, 3 N/O contacts, 1 N/C contact, 2 N/O contacts with fixed 1.5 s dropout delay, plug-in spring-cage connection terminal blocks | PSR-SPP- 24DC/ESD/5X1/1X2/1T 5 | 2981172 | 1 |
| Safety relay for emergency stop and safety door monitoring up to SIL 3 or Cat. 4, PL e according to EN ISO 13849, automatic or manual activation, 3 N/O contacts, 1 N/C contact, 2 N/O contacts with fixed 2 s dropout delay, plug-in spring-cage connection terminal blocks | PSR-SPP- 24DC/ESD/5X1/1X2/ T 2 | 2981198 | 1 |
| Safety relay for emergency stop and safety door monitoring up to SIL 3 or Cat. 4, PL e according to EN ISO 13849, automatic or manual activation, 3 N/O contacts, 1 N/C contact, 2 N/O contacts with fixed 2.5 s dropout delay, plug-in screw connection terminal blocks | PSR-SCP- 24DC/ESD/5X1/1X2/2T 5 | 2981208 | 1 |
| Safety relay for emergency stop and safety door monitoring up to SIL 3 or Cat. 4, PL e according to EN ISO 13849, automatic or manual activation, 3 N/O contacts, 1 N/C contact, 2 N/O contacts with fixed 2.5 s dropout delay, plug-in spring-cage connection terminal blocks | PSR-SPP- 24DC/ESD/5X1/1X2/2T 5 | 2981211 | 1 |
| Safety relay for emergency stop and safety door monitoring up to SIL 3 or Cat. 4, PL e according to EN ISO 13849, automatic or manual activation, 3 N/O contacts, 1 N/C contact, 2 N/O contacts with fixed 3.0 s dropout delay, plug-in screw connection terminal blocks | PSR-SCP- 24DC/ESD/5X1/1X2/ T 3 | 2981224 | 1 |
| Safety relay for emergency stop and safety door monitoring up to SIL 3 or Cat. 4, PL e according to EN ISO 13849, automatic or manual activation, 3 N/O contacts, 1 N/C contact, 2 N/O contacts with fixed 3.0 s dropout delay, plug-in spring-cage connection terminal blocks | PSR-SPP- 24DC/ESD/5X1/1X2/ T 3 | 2981237 | 1 |
| Safety relay for emergency stop and safety door monitoring up to SIL 3 or Cat. 4, PL e according to EN ISO 13849, automatic or manual activation, 3 N/O contacts, 1 N/C contact, 2 N/O contacts with fixed 4.0 s dropout delay, plug-in screw connection terminal blocks | PSR-SCP- 24DC/ESD/5X1/1X2/ T 4 | 2981240 | 1 |
| Safety relay for emergency stop and safety door monitoring up to SIL 3 or Cat. 4, PL e according to EN ISO 13849, automatic or manual activation, 3 N/O contacts, 1 N/C contact, 2 N/O contacts with fixed 4.0 s dropout delay, plug-in spring-cage connection terminal blocks | PSR-SPP- 24DC/ESD/5X1/1X2/ T 4 | 2981253 | 1 |

| Description | Type | Order No. | Pcs. / Pkt. |
|---|--------------------------------|-----------|-------------|
| Safety relay for emergency stop and safety door monitoring up to SIL 3 or Cat. 4, PL e according to EN ISO 13849, automatic or manual activation, 3 N/O contacts, 1 N/C contact, 2 N/O contacts with fixed 5.0 s dropout delay, plug-in screw connection terminal blocks | PSR-SCP- 24DC/ESD/5X1/1X2/ T 5 | 2981266 | 1 |
| Safety relay for emergency stop and safety door monitoring up to SIL 3 or Cat. 4, PL e according to EN ISO 13849, automatic or manual activation, 3 N/O contacts, 1 N/C contact, 2 N/O contacts with fixed 5.0 s dropout delay, plug-in spring-cage connection terminal blocks | PSR-SPP- 24DC/ESD/5X1/1X2/ T 5 | 2981279 | 1 |
| Safety relay for emergency stop and safety door monitoring up to SIL 3 or Cat. 4, PL e according to EN ISO 13849, automatic or manual activation, 3 N/O contacts, 1 N/C contact, 2 N/O contacts with fixed 6.0 s dropout delay, plug-in screw connection terminal blocks | PSR-SCP- 24DC/ESD/5X1/1X2/ T 6 | 2981282 | 1 |
| Safety relay for emergency stop and safety door monitoring up to SIL 3 or Cat. 4, PL e according to EN ISO 13849, automatic or manual activation, 3 N/O contacts, 1 N/C contact, 2 N/O contacts with fixed 6.0 s dropout delay, plug-in spring-cage connection terminal blocks | PSR-SPP- 24DC/ESD/5X1/1X2/ T 6 | 2981295 | 1 |
| Safety relay for emergency stop and safety door monitoring up to SIL 3 or Cat. 4, PL e according to EN ISO 13849, automatic or manual activation, 3 N/O contacts, 1 N/C contact, 2 N/O contacts with fixed 15.0 s dropout delay, plug-in screw connection terminal blocks | PSR-SCP- 24DC/ESD/5X1/1X2/ T15 | 2981305 | 1 |
| Safety relay for emergency stop and safety door monitoring up to SIL 3 or Cat. 4, PL e according to EN ISO 13849, automatic or manual activation, 3 N/O contacts, 1 N/C contact, 2 N/O contacts with fixed 15.0 s dropout delay, plug-in spring-cage connection terminal blocks | PSR-SPP- 24DC/ESD/5X1/1X2/ T15 | 2981318 | 1 |
| Safety relay for emergency stop and safety door monitoring up to SIL 3 or Cat. 4, PL e according to EN ISO 13849, automatic or manual activation, 3 N/O contacts, 1 N/C contact, 2 N/O contacts with fixed 20.0 s dropout delay, plug-in screw connection terminal blocks | PSR-SCP- 24DC/ESD/5X1/1X2/ T20 | 2981321 | 1 |
| Safety relay for emergency stop and safety door monitoring up to SIL 3 or Cat. 4, PL e according to EN ISO 13849, automatic or manual activation, 3 N/O contacts, 1 N/C contact, 2 N/O contacts with fixed 20.0 s dropout delay, plug-in spring-cage connection terminal blocks | PSR-SPP- 24DC/ESD/5X1/1X2/ T20 | 2981334 | 1 |
| Safety relay for emergency stop and safety door monitoring up to SIL 3 or Cat. 4, PL e according to EN ISO 13849, automatic or manual activation, 3 N/O contacts, 1 N/C contact, 2 N/O contacts with fixed 30.0 s dropout delay, plug-in screw connection terminal blocks | PSR-SCP- 24DC/ESD/5X1/1X2/ T30 | 2981347 | 1 |
| Safety relay for emergency stop and safety door monitoring up to SIL 3 or Cat. 4, PL e according to EN ISO 13849, automatic or manual activation, 3 N/O contacts, 1 N/C contact, 2 N/O contacts with fixed 30.0 s dropout delay, plug-in spring-cage connection terminal blocks | PSR-SPP- 24DC/ESD/5X1/1X2/ T30 | 2981350 | 1 |
| Safety relay for emergency stop and safety door monitoring up to SIL 3 or Cat. 4, PL e according to EN ISO 13849, automatic or manual activation, 3 N/O contacts, 1 N/C contact, 2 N/O contacts with fixed 10.0 s dropout delay, plug-in spring-cage connection terminal blocks | PSR-SPP- 24DC/ESD/5X1/1X2/T10S | 2981509 | 1 |
| Safety relay for emergency stop and safety door monitoring up to SIL 3 or Cat. 4, PL e according to EN ISO 13849, automatic or manual activation, 3 N/O contacts, 1 N/C contact, 2 N/O contacts with fixed 10 s dropout delay, plug-in spring-cage connection terminal blocks | PSR-SPP- 24DC/ESD/5X1/1X2/ T10 | 2981091 | 1 |
| Documentation | Type | Order No. | Pcs. / Pkt. |
| User manual, English, for applications for PSR safety relay | UM EN SAFETY RELAY APPLICATION | 2888712 | 1 |

4 Technical data

| Input data | |
|---|-----------------|
| Nominal input voltage U_N | 24 V DC |
| Input voltage range (factor) | 0.85 ... 1.1 |
| Typical input current | 150 mA DC |
| Voltage at input/start and feedback circuit | approx. 23 V DC |

Input data

| | |
|---|--|
| Max. permissible overall conductor resistance (Input and reset circuit at U_N) | 11 Ω (Input and start circuits at U_N) |
| Typical response time | 70 ms (manual start) 600 ms (automatic start) |
| Typical release time | 20 ms (undelayed contacts) |
| Recovery time | 1 s |

Output data

| | |
|--|--|
| Contact type | 3 enabling current paths undelayed 2 enabling current paths delayed 1 signaling current path undelayed |
| Contact material | AgSnO ₂ |
| Minimum switching voltage | 15 V AC/DC |
| Maximum switching voltage | 250 V AC/DC |
| Limiting continuous current | 6 A (N/O contact) |
| Maximum inrush current | 6 A |
| Inrush current, minimum | 25 mA |
| Interrupting rating (ohmic load) max. | 144 W (24 V DC, $\tau = 0$ ms) 288 W (48 V DC, $\tau = 0$ ms) 110 W (110 V DC, $\tau = 0$ ms) 88 W (220 V DC, $\tau = 0$ ms) 1500 VA (250 V AC, $\tau = 0$ ms) |
| Maximum interrupting rating (inductive load) | 42 W (24 V DC, $\tau = 40$ ms) 42 W (48 V DC, $\tau = 40$ ms) 42 W (110 V DC, $\tau = 40$ ms) 42 W (220 V DC, $\tau = 40$ ms) |
| Switching capacity min. | 0.4 W |
| Mechanical service life | Approx. 10^7 cycles |
| Switching capacity (360/h cycles) | 4 A (24 V DC) 4 A (230 V AC) |
| Switching capacity (3600/h cycles) | 2.5 A (24 V (DC13)) 3 A (230 V (AC 15)) |
| Output fuse | 6 A fast blow (undelayed) C6 (24 V AC/DC) automatic device (undelayed) 10 A gL/gG NEOZED (delayed) |

General data

| | |
|---|---|
| Relay type | Electromechanically forcibly guided relay. |
| Nominal operating mode | 100% operating factor |
| Degree of protection | IP20 |
| Min. degree of protection of inst. location | IP54 |
| Mounting position | Any |
| Air and creepage distances between the power circuits | DIN EN 50178/VDE 0160 |
| Rated surge voltage / insulation | 4 kV / basic isolation, (safe isolation, reinforced insulation and 6 kV between the enabling current paths (13/14, 23/24, 33/34) and the remaining current paths and between 13/14, 23/24, 33/34 between each other.) |

Dimensions

| | Screw connection | Spring-cage conn. |
|-----------|-------------------------|--------------------------|
| W x H x D | 45 x 99 x 114.5 mm | 45 x 112 x 114.5 mm |

Connection data

| | Screw connection | Spring-cage conn. |
|-----------------------------------|---|---|
| Conductor cross section, solid | 0.2 mm ² ... 2.5 mm ² | 0.2 mm ² ... 1.5 mm ² |
| Conductor cross section, stranded | 0.2 mm ² ... 2.5 mm ² | 0.2 mm ² ... 1.5 mm ² |
| Conductor cross section AWG/kcmil | 24 ... 12 | 24 ... 16 |
| Stripping length | 7 mm | 8 mm |

Ambient conditions

| | |
|--|------------------|
| Ambient temperature (operation) | -20 °C ... 55 °C |
| Ambient temperature (storage/transport) | -40 °C ... 70 °C |
| Max. permissible relative humidity (operation) | 75 % |
| Max. permissible humidity (storage/transport) | 75 % |

Certification / Approvals

| | |
|-----------|---|
| Approvals |  |
|-----------|---|

Safety data

| | |
|--------------------------------------|-------|
| Stop category according to IEC 60204 | 0 , 1 |
|--------------------------------------|-------|

Safety parameters for IEC 61508 - High demand

| | |
|--------------------------|-------------------------|
| SIL | 3 |
| PFH _d | 1.67 x 10 ⁻⁹ |
| Diagnostic coverage (DC) | 96.76 % |
| MTTF _d | 68276 Years |
| Proof test interval | 240 Months |

Safety characteristic data according to EN ISO 13849

| | |
|--------------------|--|
| Category | 4 (Undelayed contacts) 3 (delayed contacts) |
| Performance level | e (Undelayed contacts) d (delayed contacts) |
| DC _{avg} | 96.76 % |
| CCF | Passed |
| B _{10d} | 400000 (At 3 A AC15) |
| d _{op} | 365.25 Days |
| h _{op} | 24 h |
| t _{Cycle} | 3600 s |

5 Basic circuit diagram

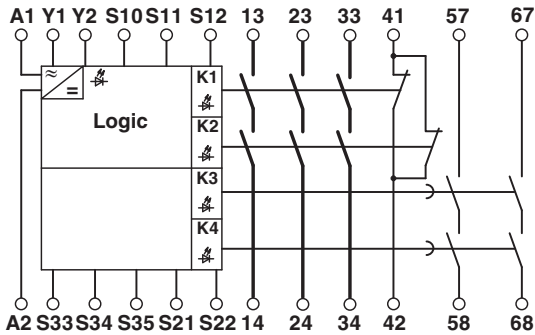


Figure 1 Block diagram

Key:

| Designation | Explanation |
|---------------------|--------------------------------------|
| A1/A2 | Safety relay input voltage |
| Y1/Y2 | Feedback circuit |
| S10, S11, S12 | Safety sensor/switch 1 input circuit |
| S10, S21, S22 | Safety sensor/switch 2 input circuit |
| 13/14, 23/24, 33/34 | Undelayed enabling current paths |
| 41/42 | Signaling current path |
| 57/58, 67/68 | Delayed enabling current paths |
| S33/S34 | Manual start |
| S33/S35 | Automatic start |

6 Derating

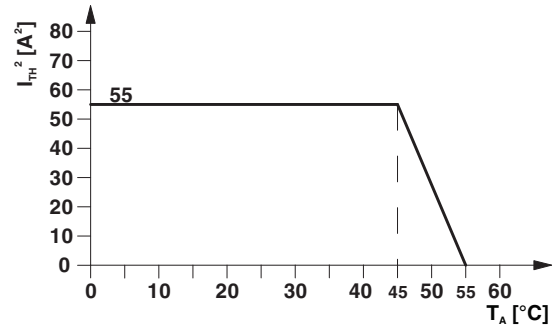


Figure 2 Derating curve

7 Safety notes



WARNING: Risk of electric shock

During operation, parts of electrical switching devices carry hazardous voltages.

Before working on the switching device, disconnect the power.

Please observe the safety regulations of electrical engineering and industrial safety and liability associations.

Disregarding these safety regulations may result in death, serious personal injury or damage to equipment.

Startup, mounting, modifications, and upgrades should only be carried out by a skilled electrical engineer!



WARNING: Risk of automatic machine restart!

For emergency stop applications, the machine must be prevented from restarting automatically by a higher-level control system.

Protective covers must not be removed when operating electrical switching devices.



WARNING: Danger due to faulty devices!

The devices may be damaged following an error and correct operation can no longer be ensured.

In the event of an error, replace the device immediately.

Repairs to the device, especially if the housing must be opened, may only be carried out by the manufacturer or authorized persons. Otherwise the warranty is invalidated.



NOTE: Risk of damage to equipment due to incorrect installation

For reliable operation, the safety relay must be installed in housing protected from dust and humidity (IP54).

Carry out wiring according to the application. Use the Application Examples section for this purpose.



NOTE: Risk of damage to equipment due to noise emissions

When operating relay modules the operator must meet the requirements for noise emission for electrical and electronic equipment (EN 61000-6-4) on the contact side and, if required, take appropriate measures.

8 Operating and display unit

Key:

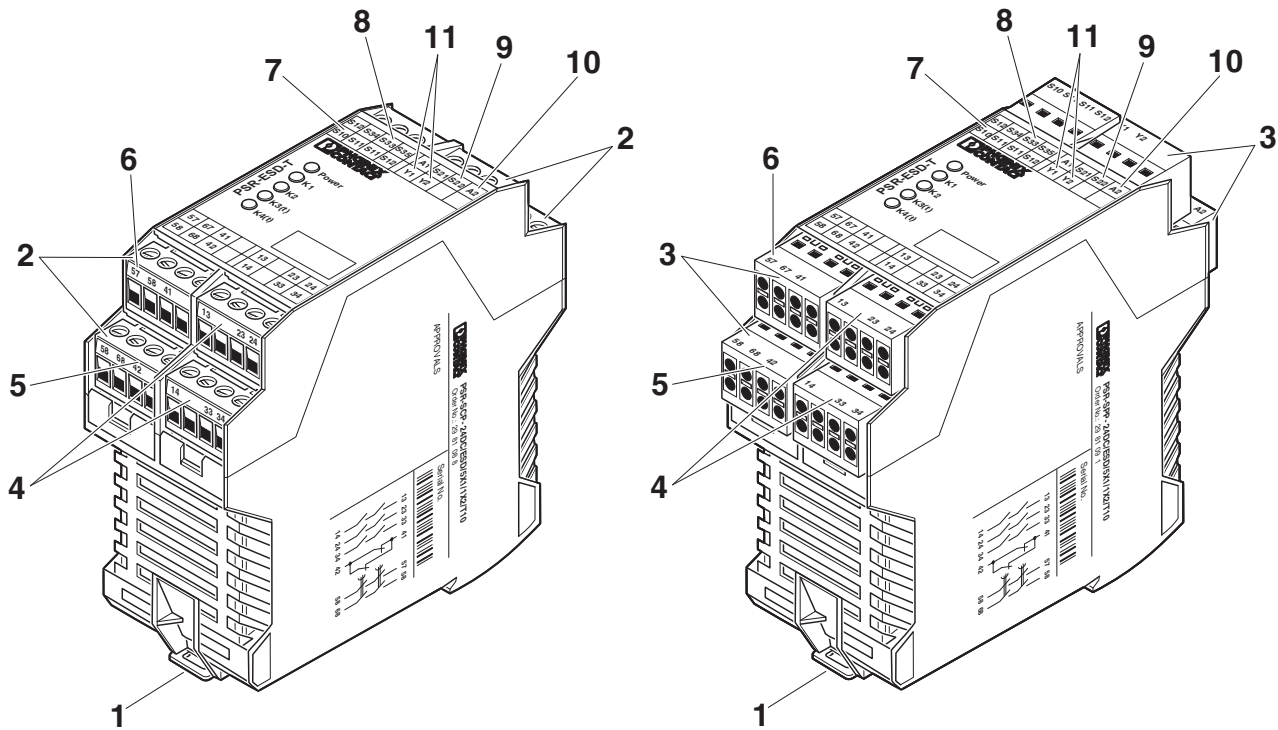


Figure 3 PSR-SCP-24DC/ESD/5X1/1X2/...T... and PSR-SPP-24DC/ESD/5X1/1X2/...T...

9 Diagnostics

The diagnostic descriptions can be found in Section 7 of the application manual for PSR safety relays.

| Designation | Explanation |
|-------------|--|
| 1 | Metal lock for mounting on the DIN rail |
| 2 | COMBICON plug-in screw terminal blocks |
| 3 | COMBICON plug-in spring-cage terminal blocks |
| 4 | 13/14, 23/24, 33/34 - undelayed enabling current paths |
| 5 | 41/42 - alarm contact |
| 6 | 57/58, 67/68 - delayed enabling current paths |
| 7 | S10, S11, S12 - input circuits |
| 8 | S33, S34, S35 - start circuit (activating circuit) |
| 9 | S21, S22 - input circuits |
| 10 | A1, A2 - supply voltage connection |
| 11 | Y1/Y2 - feedback circuit |

10 Application example

10.1 Two-channel emergency stop circuit with cross-circuit detection

- Manual activation via monitored reset button at S33/S34
- Automatic activation with jumper at S33-S35
- suitable up to category 4, PL e (EN ISO 13849-1), SIL 3 (IEC 61508)

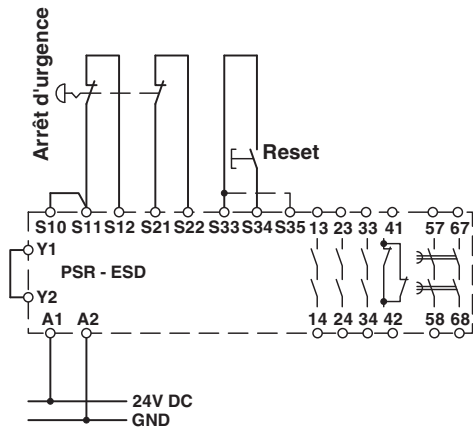


Figure 4 Two-channel emergency stop circuit with cross-circuit detection

10.2 Single-channel emergency stop circuit

- Manual activation via monitored reset button at S33/S34
- Automatic activation with jumper at S33-S35
- Suitable up to category 1, PL c (EN ISO 13849-1), SIL 1 (IEC 61508)

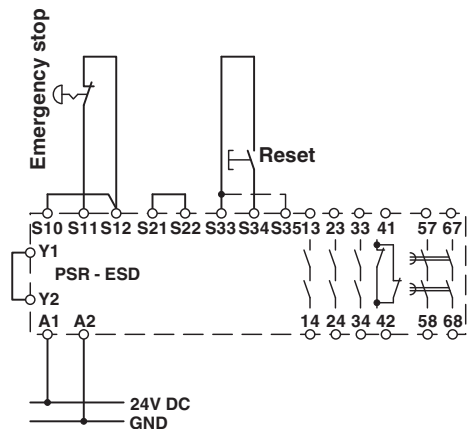


Figure 5 Single-channel emergency stop circuit

10.3 Two-channel monitoring with semiconductor output

- Manual activation via monitored reset button at S33/S34
- Automatic activation with jumper at S33-S35
- suitable up to category 4, PL e (EN ISO 13849-1), SIL 3 (IEC 61508)

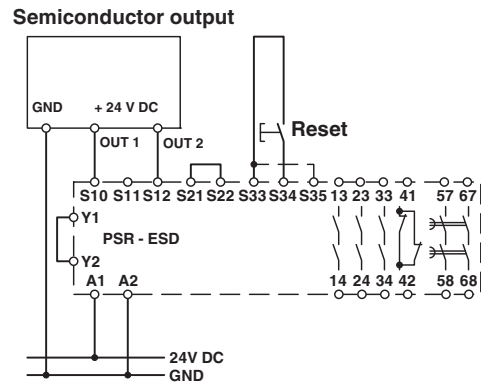


Figure 6 Two-channel monitoring