

阅读申明

- 1.本站收集的数据手册和产品资料都来自互联网，版权归原作者所有。如读者和版权方有任何异议请及时告之，我们将妥善解决。
- 2.本站提供的中文数据手册是英文数据手册的中文翻译，其目的是协助用户阅读，该译文无法自动跟随原稿更新，同时也可能存在翻译上的不当。建议读者以英文原稿为参考以便获得更精准的信息。
- 3.本站提供的产品资料，来自厂商的技术支持或者使用者的心得体会等，其内容可能存在描述上的差异，建议读者做出适当判断。
- 4.如需与我们联系，请发邮件到marketing@iczoom.com，主题请标有“数据手册”字样。

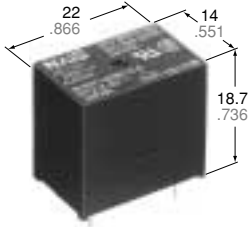
Read Statement

1. The datasheets and other product information on the site are all from network reference or other public materials, and the copyright belongs to the original author and original published source. If readers and copyright owners have any objections, please contact us and we will deal with it in a timely manner.
2. The Chinese datasheets provided on the website is a Chinese translation of the English datasheets. Its purpose is for reader's learning exchange only and do not involve commercial purposes. The translation cannot be automatically updated with the original manuscript, and there may also be improper translations. Readers are advised to use the English manuscript as a reference for more accurate information.
3. All product information provided on the website refer to solutions from manufacturers' technical support or users the contents may have differences in description, and readers are advised to take the original article as the standard.
4. If you have any questions, please contact us at marketing@iczoom.com and mark the subject with "Datasheets" .

Panasonic
ideas for life

**COMPACT ECONOMICAL
POWER RELAYS**

**JE-X
RELAYS**



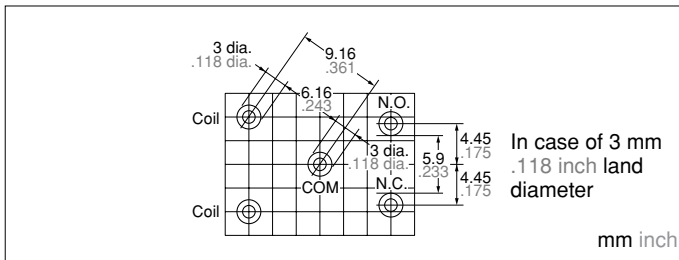
mm inch

FEATURES

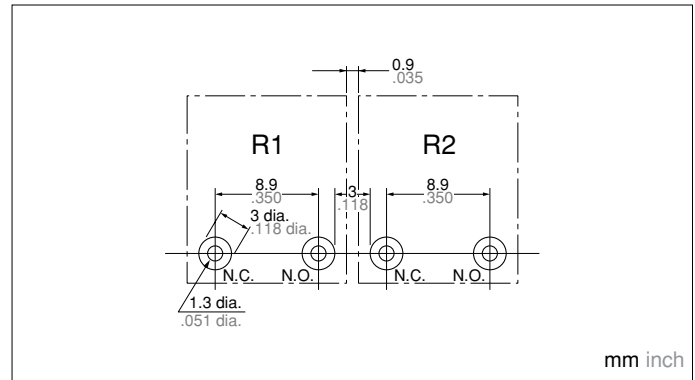
- Compact size - Height Max. 18.7 mm .736 inch lower than JY relay (22.5 mm) (.886 inch)
- High contact capacity — 5A 125 V AC
- Safety-oriented between coil and contact terminals
- All plastic materials: UL flame retardance 94V-0
- VDE, TÜV also approved

TERMINAL LAYOUT

Distance of 9.16 mm .360 inch between common and coil terminals and 8.9 mm .350 inch between contacts give room to the land diameter width when the relay is mounted on PC board, and allow design of patterns with insulation distances of 6 mm .236 inch between common and coil and 5.9 mm .232 inch between contacts.



- 3 mm .118 inch or more insulation distance for close mounting can be kept easily with JE-X relays.



SPECIFICATIONS

Contact

Arrangement	1 Form A	1 Form C
Initial contact resistance, max. (By voltage drop 6 V DC 1A)	100 mΩ	
Contact material	Silver alloy	
Rating (resistive load)	Nominal switching capacity	5 A 30 V DC, 5 A 125 V AC, 3A 250 V AC
	Max. switching power	750 VA, 150 W
	Max. switching voltage	250 V AC, 30 V DC
	Max. switching current	5 A
Expected life (min. operations)	Mechanical (at 180 cpm)	5×10 ⁶
	Electrical (at 20 cpm) (at rated load)	10 ⁵

Coil

Minimum operating power	196 mW
Nominal operating power	400 mW

Remarks

- * Specifications will vary with foreign standards certification ratings.
- *1 Measurement at same location as "Initial breakdown voltage" section
- *2 Detection current: 10 mA
- *3 Wave is standard shock voltage of $\pm 1.2 \times 50\mu\text{s}$ according to JEC-212-1981
- *4 Excluding contact bounce time
- *5 Half-wave pulse of sine wave: 6ms; detection time: 10μs
- *6 Half-wave pulse of sine wave: 6ms
- *7 Detection time: 10μs
- *8 Refer to 6. Conditions for operation, transport and storage mentioned in AMBIENT ENVIRONMENT.

Characteristics

Max. operating speed	20 cpm (at 70°C)	
Initial insulation resistance*1	Min. 100 MΩ (at 500 V DC)	
Initial breakdown voltage*2	Between open contacts	750 Vrms
	Between contacts and coil	1,500 Vrms
Surge voltage between coil and contact*3	Min. 5,000 V	
Operate time*4 (at nominal voltage)	Approx. 10 ms	
Release time (without diode)*4 (at nominal voltage)	Approx. 2 ms	
Temperature rise (at 70°C)	Max. 45°C with nominal coil voltage and at nominal switching capacity	
Shock resistance	Functional*5	Min. 98 m/s ² {10 G}
	Destructive*6	Min. 980 m/s ² {100 G}
Vibration resistance	Functional*7	98 m/s ² {10 G}, 10 to 55 Hz at double amplitude of 1.6 mm
	Destructive	117.6 m/s ² {12 G}, 10 to 55 Hz at double amplitude of 2.0 mm
Conditions for operation, transport and storage*8 (Not freezing and condensing at low temperature)	Ambient temp.	-40°C to +70°C -40°F to +158°F
	Humidity	5 to 85% R.H.
Unit weight	Approx. 9.2g .32 oz	

TYPICAL APPLICATIONS

- Home appliances
Oven, range, dryer, heater,
Air conditioner etc.
- Automotive
- Garage door opener
- Personal computer
- Programmable controller

ORDERING INFORMATION

Ex. JE 1 X N — DC12V — H

Contact arrangement	Pick-up voltage	Coil voltage	Protective construction
1a: 1 Form A 1:1 Form C	N:70% of nominal voltage	DC 5, 6, 9, 12, 24, 48 V	H: Flux-resistant type

(Note) Standard packing: Carton 100 pcs. Case 500 pcs.
UL/CSA, VDE approved type is standard.

TYPES

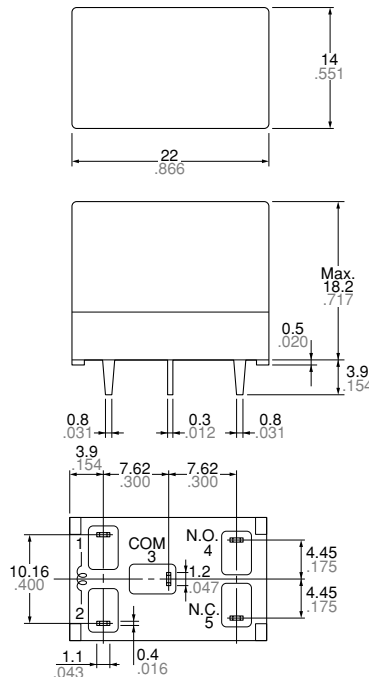
Contact arrangement	Coil voltage	Pick-up 70% V type
		Flux-resistant type
1 Form A	5 V DC	JE1aXN-DC5V-H
	6 V DC	JE1aXN-DC6V-H
	9 V DC	JE1aXN-DC9V-H
	12 V DC	JE1aXN-DC12V-H
	24 V DC	JE1aXN-DC24V-H
	48 V DC	JE1aXN-DC48V-H
1 Form C	5 V DC	JE1XN-DC5V-H
	6 V DC	JE1XN-DC6V-H
	9 V DC	JE1XN-DC9V-H
	12 V DC	JE1XN-DC12V-H
	24 V DC	JE1XN-DC24V-H
	48 V DC	JE1XN-DC48V-H

COIL DATA (at 20°C 68°F)

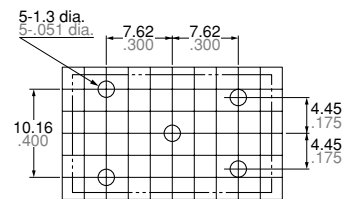
Nominal voltage, V DC	Pick-up voltage, V DC (max.)	Drop-out voltage, V DC (min.)	Nominal operating current, mA (±10%)	Coil resistance, Ω(±10%)	Nominal operating power, mW	Maximum allowable voltage, V DC (at 70°C)
5	3.5	0.5	80	62.5	400	6.5
6	4.2	0.6	67	90	400	7.8
9	6.3	0.9	44	202	400	11.7
12	8.4	1.2	33	360	400	15.6
24	16.8	2.4	17	1,440	400	31.2
48	33.6	4.8	8.3	5,760	400	62.4

DIMENSIONS

mm inch

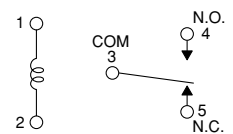


PC board pattern (Bottom view)



Tolerance: ±0.1 ±.004

Schematic (Bottom view)



Note: The above shows 1 Form C type, and No. 5 terminal is eliminated on the 1 Form A type.

Dimension:

Max. 1mm .039 inch:

1 to 5mm .039 to .197 inch:

Min. 5mm .197 inch:

General tolerance

±0.2 ±.008

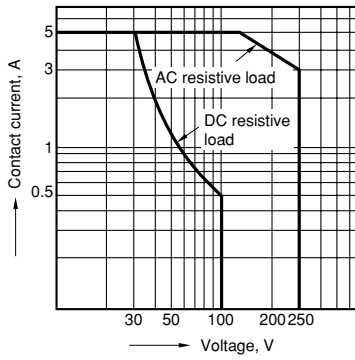
±0.3 ±.012

±0.4 ±.016

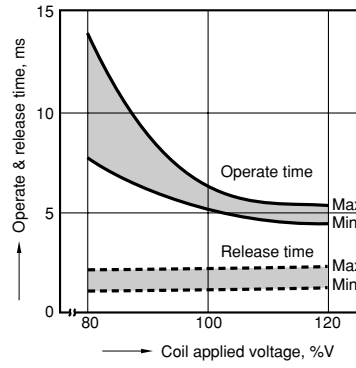
JE-X

REFERENCE DATA

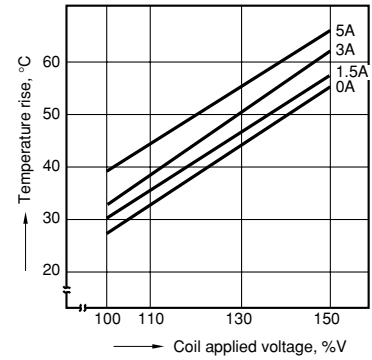
1. Max. switching power



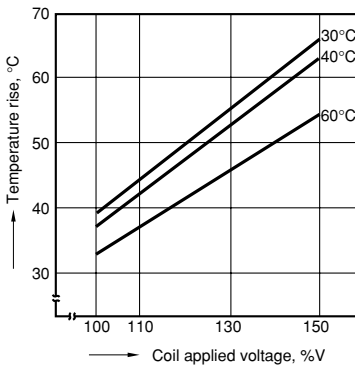
2. Operate and release time



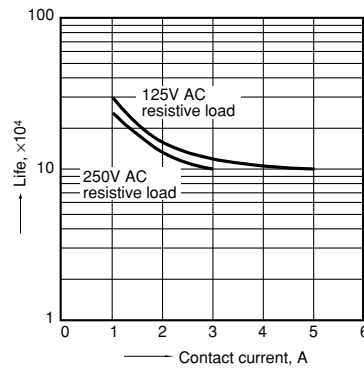
3. Coil temperature rise (at 30°C 86°F)



4. Coil temperature rise
(Contact carrying current: 5 A)



5. Life curve



NOTE

Soldering should be carried out within 3 s at 350°C 662°F or within 5 s at 250°C 482°F.

For Cautions for Use, see Relay Technical Information.