

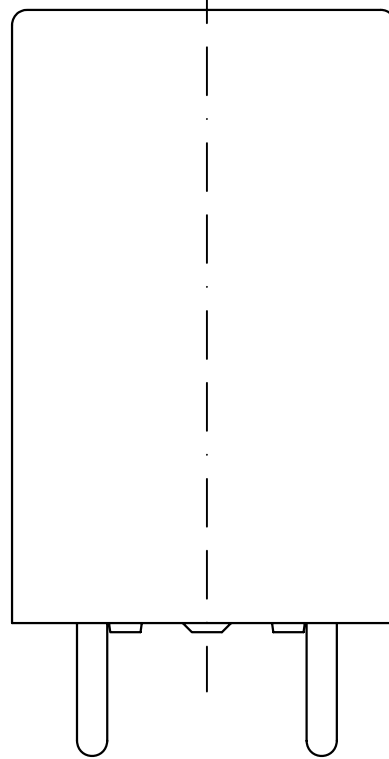
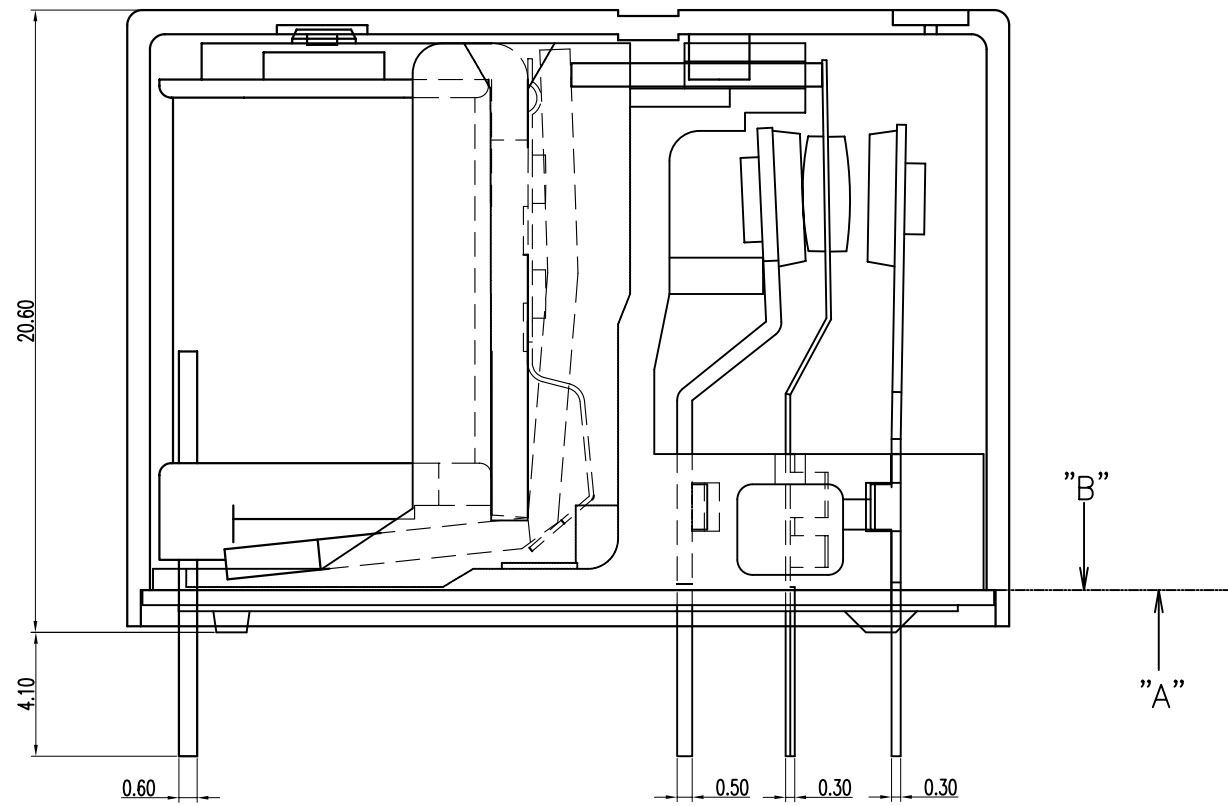
阅读申明

- 1.本站收集的数据手册和产品资料都来自互联网，版权归原作者所有。如读者和版权方有任何异议请及时告之，我们将妥善解决。
- 2.本站提供的中文数据手册是英文数据手册的中文翻译，其目的是协助用户阅读，该译文无法自动跟随原稿更新，同时也可能存在翻译上的不当。建议读者以英文原稿为参考以便获得更精准的信息。
- 3.本站提供的产品资料，来自厂商的技术支持或者使用者的心得体会等，其内容可能存在描述上的差异，建议读者做出适当判断。
- 4.如需与我们联系，请发邮件到marketing@iczoom.com，主题请标有“数据手册”字样。

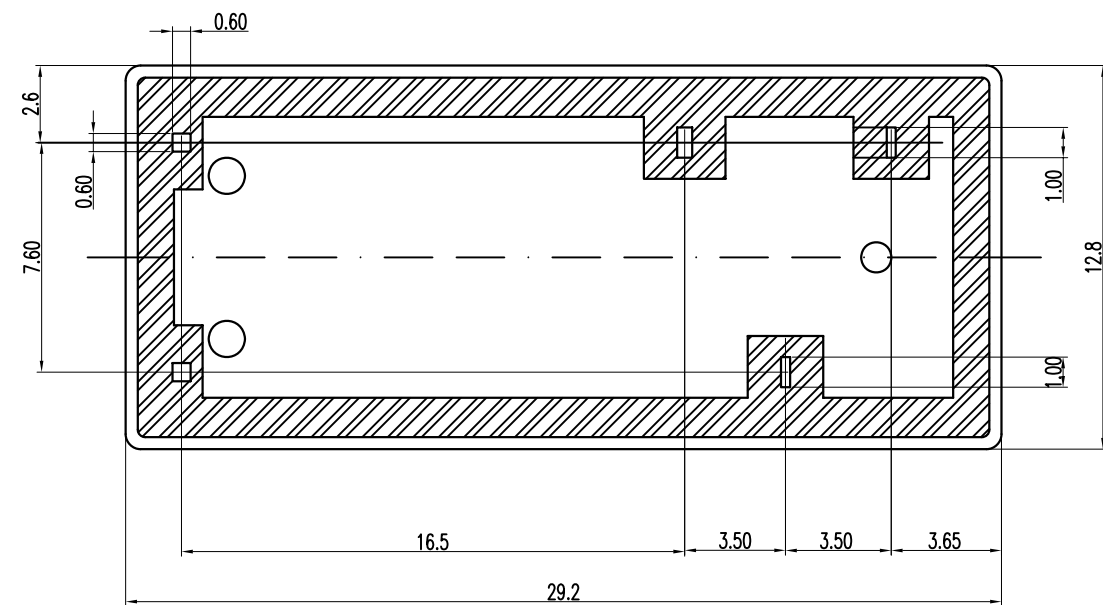
Read Statement

1. The datasheets and other product information on the site are all from network reference or other public materials, and the copyright belongs to the original author and original published source. If readers and copyright owners have any objections, please contact us and we will deal with it in a timely manner.
2. The Chinese datasheets provided on the website is a Chinese translation of the English datasheets. Its purpose is for reader's learning exchange only and do not involve commercial purposes. The translation cannot be automatically updated with the original manuscript, and there may also be improper translations. Readers are advised to use the English manuscript as a reference for more accurate information.
3. All product information provided on the website refer to solutions from manufacturers' technical support or users the contents may have differences in description, and readers are advised to take the original article as the standard.
4. If you have any questions, please contact us at marketing@iczoom.com and mark the subject with "Datasheets" .

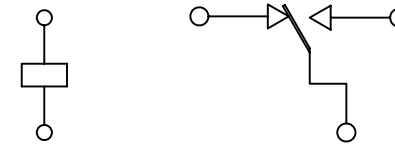
LOC	DIST	REVISIONS					
P	LTR	DESCRIPTION	ECO	DATE	DWN	APVD	
HB	—	A	Release		03APR06	Y.X N.F	
		B	MARKING CHANGE	ECO-07-013869	25MAY07	XN.Z W.Y	



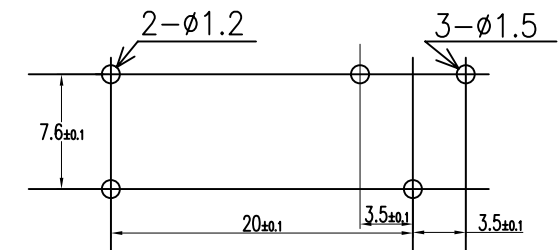
NOTE.
 1.PART "B" SHOULD FIT PART "A" AFTER CASE INSERTION PROCESS



CONNECTION DIAGRAM
 (BOTTOM VIEW)



DRILLING DIAGRAM(2/1)
 (BOTTOM VIEW)

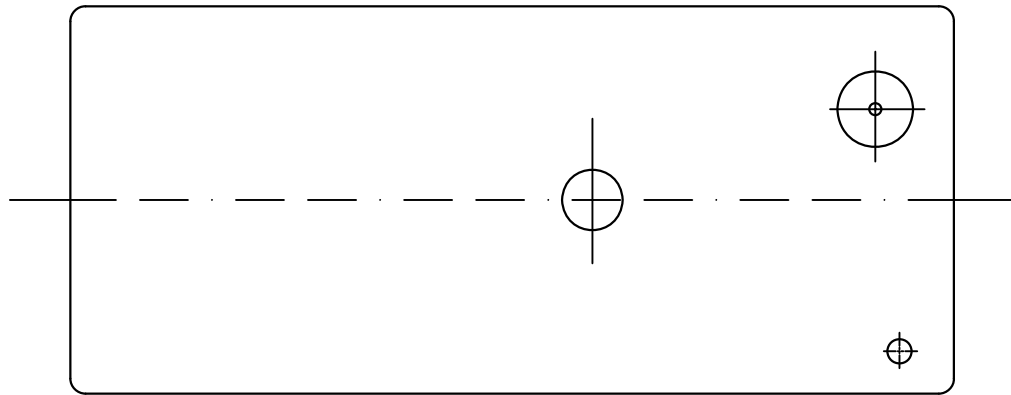


DIMENSION TOLERANCE	
MAX .1mm	±0.1
1mm~MAX.3mm	±0.2
MIN .3mm	±0.3

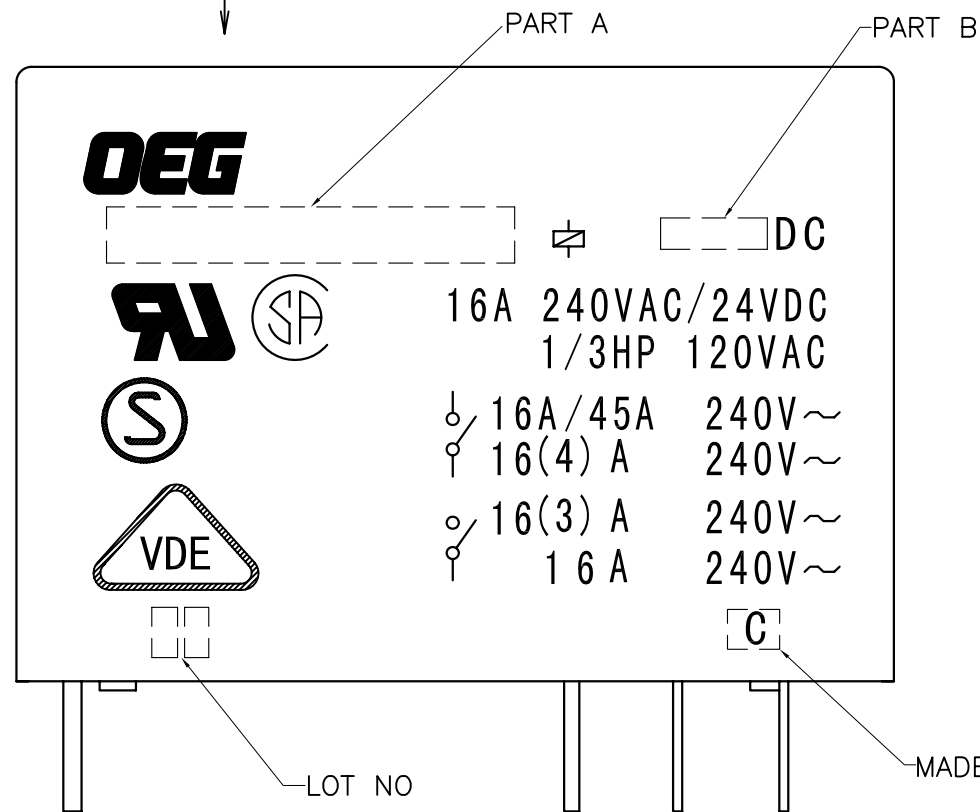
THIS DRAWING IS A CONTROLLED DOCUMENT.		DWN Y.Xiao	Tyco Electronics Corporation ShenZhen	
DIMENSIONS: mm		CHK N.Funayama	NAME	
TOLERANCES UNLESS OTHERWISE SPECIFIED:		APVD CH.HSU	OMIH(1T) SPEC 300 CUSTOMER DRAWING	
0 PLC ± -		PRODUCT SPEC	SIZE CAGE CODE DRAWING NO RESTRICTED TO	
1 PLC ± -		APPLICATION SPEC	A3 00779 C-8-1440000-3	
2 PLC ± -		WEIGHT	SCALE 4:1 SHEET 1 of 3 REV B	
3 PLC ± -				
4 PLC ± -				
ANGLES ± -				
FINISH				
MATERIAL				

LOC	DIST	REVISIONS					
		P	LTR	DESCRIPTION	DATE	DWN	APVD
HB	-		-	-			

VIEW "C"



"C"

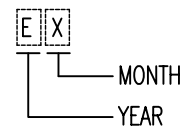


n	OMIH-SS-148D,300	9-1440000-1	OMIH-SS-148D	48V
m	OMIH-SS-124L,300	9-1440000-0	OMIH-SS-124L	24V
l	OMIH-SS-124D,300	8-1440000-8	OMIH-SS-124D	24V
k	OMIH-SS-112L,300	8-1440000-5	OMIH-SS-112L	12V
j	OMIH-SS-112D,300	8-1440000-3	OMIH-SS-112D	12V
i	OMIH-SS-109L,300	8-1440000-1	OMIH-SS-109L	9V
h	OMIH-SS-109D,300	1-1461022-1	OMIH-SS-109D	9V
g	OMIH-SS-106L,300	1-1461022-0	OMIH-SS-106L	6V
f	OMIH-SS-106D,300	1461022-8	OMIH-SS-106D	6V
e	OMIH-SS-105L,300	1461022-6	OMIH-SS-105L	5V
d	OMIH-SS-105D,300	1461022-4	OMIH-SS-105D	5V
c	OMIH-SH-124L,300	1461022-2	OMIH-SH-124L	24V
b	OMIH-SH-105L,300	1-1419153-9	OMIH-SH-105L	5V
a	OMIH-SH-105D,300	6-1440000-6	OMIH-SH-105D	5V
No.	EC TYPE NAE	AMP PART NAE	PART A	PART B

RELAY TYPE

NOTES

1.LOT NUMBERING SYSTEM AS FOLLOWS:



THIS DRAWING IS A CONTROLLED DOCUMENT.		DWN Y.Xiao	Tyco Electronics Corporation ShenZhen		
DIMENSIONS: mm		CHK N.Funayama	NAME OMIH(1T) SPEC 300 CUSTOMER DRAWING		
TOLERANCES UNLESS OTHERWISE SPECIFIED: 0 PLC ± - 1 PLC ± - 2 PLC ± - 3 PLC ± - 4 PLC ± - ANGLES ± -		APVD CH.HSU	PRODUCT SPEC		
MATERIAL		APPLICATION SPEC	SIZE A3	CAGE CODE 00779	DRAWING NO C=8-1440000-3
FINISH		WEIGHT	RESTRICTED TO		SCALE 4:1
CUSTOMER DRAWING			SHEET 2 of 3		REV B

THIS DRAWING IS UNPUBLISHED.

RELEASED FOR PUBLICATION

-. - .

© COPYRIGHT - BY TYCO ELECTRONICS CORPORATION. ALL RIGHTS RESERVED.

LOC
HB

DIST
-

REVISIONS

P	LTR	DESCRIPTION	DATE	DWN	APVD
-	-		-	-	-

n	m	l	k	j	i	h	g	f	e	d	c	b	a	INCOMBUSTIBILITY	TREATMENT	MATERIAL	DESCRIPTION	ITEM
1	1	1	1	1	1	1	1	1	1	1	1	1	1	UL94 V-0		PBT	CASE	14
1	1	1	1	1	1	1	1	1	1	1	1	1	1	UL94 V-0		PBT	BOBBIN	11
2	2	2	2	2	2	2	2	2	2	2	2	2	2		SOLDER DIP	CP WIRE	COIL TERMINAL	10
1	1	1	1	1	1	1	1	1	1	1	1	1	1	UL94 V-0		PPS	CARD	9
1	1	1	1	1	1	1	1	1	1	1	1	1	1			Ag ALLOY	MOVABLE CONTACT	8
1	1	1	1	1	1	1	1	1	1	1	1	1	1			Ag ALLOY	STATIONARY CONTACT	7
1	1	1	1	1	1	1	1	1	1	1	1	1	1			Cu ALLOY	HINGE SPRING	6
1	1	1	1	1	1	1	1	1	1	1	1	1	1		SOLDER DIP	Cu ALLOY	STATIONARY TERMINAL	5
1	1	1	1	1	1	1	1	1	1	1	1	1	1		SOLDER DIP	Cu ALLOY	MOVABLE SPRING	4
1	1	1	1	1	1	1	1	1	1	1	1	1	1			STEEL	CORE	3
1	1	1	1	1	1	1	1	1	1	1	1	1	1			STEEL	ARMATURE	2
1	1	1	1	1	1	1	1	1	1	1	1	1	1			STEEL	YOKE	1

THIS DRAWING IS A CONTROLLED DOCUMENT.		DWN Y.Xiao	Tyco Electronics Corporation ShenZhen	
		CHK N.Funayama		
DIMENSIONS: mm		APVD CH.HSU	NAME OMIH(1T) SPEC 300 CUSTOMER DRAWING	
TOLERANCES UNLESS OTHERWISE SPECIFIED: 0 PLC ± - 1 PLC ± - 2 PLC ± - 3 PLC ± - 4 PLC ± - ANGLES ± -		PRODUCT SPEC -		
MATERIAL -		FINISH -	APPLICATION SPEC -	RESTRICTED TO -
		WEIGHT -	SIZE A3	CAGE CODE 00779
			DRAWING NO C-8-1440000-3	
			SCALE 4:1	SHEET 3 of 3
			REV B	