

阅读申明

- 1.本站收集的数据手册和产品资料都来自互联网，版权归原作者所有。如读者和版权方有任何异议请及时告之，我们将妥善解决。
- 2.本站提供的中文数据手册是英文数据手册的中文翻译，其目的是协助用户阅读，该译文无法自动跟随原稿更新，同时也可能存在翻译上的不当。建议读者以英文原稿为参考以便获得更精准的信息。
- 3.本站提供的产品资料，来自厂商的技术支持或者使用者的心得体会等，其内容可能存在描述上的差异，建议读者做出适当判断。
- 4.如需与我们联系，请发邮件到marketing@iczoom.com，主题请标有“数据手册”字样。

Read Statement

1. The datasheets and other product information on the site are all from network reference or other public materials, and the copyright belongs to the original author and original published source. If readers and copyright owners have any objections, please contact us and we will deal with it in a timely manner.
2. The Chinese datasheets provided on the website is a Chinese translation of the English datasheets. Its purpose is for reader's learning exchange only and do not involve commercial purposes. The translation cannot be automatically updated with the original manuscript, and there may also be improper translations. Readers are advised to use the English manuscript as a reference for more accurate information.
3. All product information provided on the website refer to solutions from manufacturers' technical support or users the contents may have differences in description, and readers are advised to take the original article as the standard.
4. If you have any questions, please contact us at marketing@iczoom.com and mark the subject with "Datasheets" .

THIS DRAWING IS UNPUBLISHED. RELEASED FOR PUBLICATION
 © COPYRIGHT BY TYCO ELECTRONICS CORPORATION. ALL RIGHTS RESERVED.

LOC	DIST	REVISIONS						
		P	LTR	DESCRIPTION	ECN	DATE	DWN	APVD
			A	RELEASE		25-OCT-06	F.B	Y.W

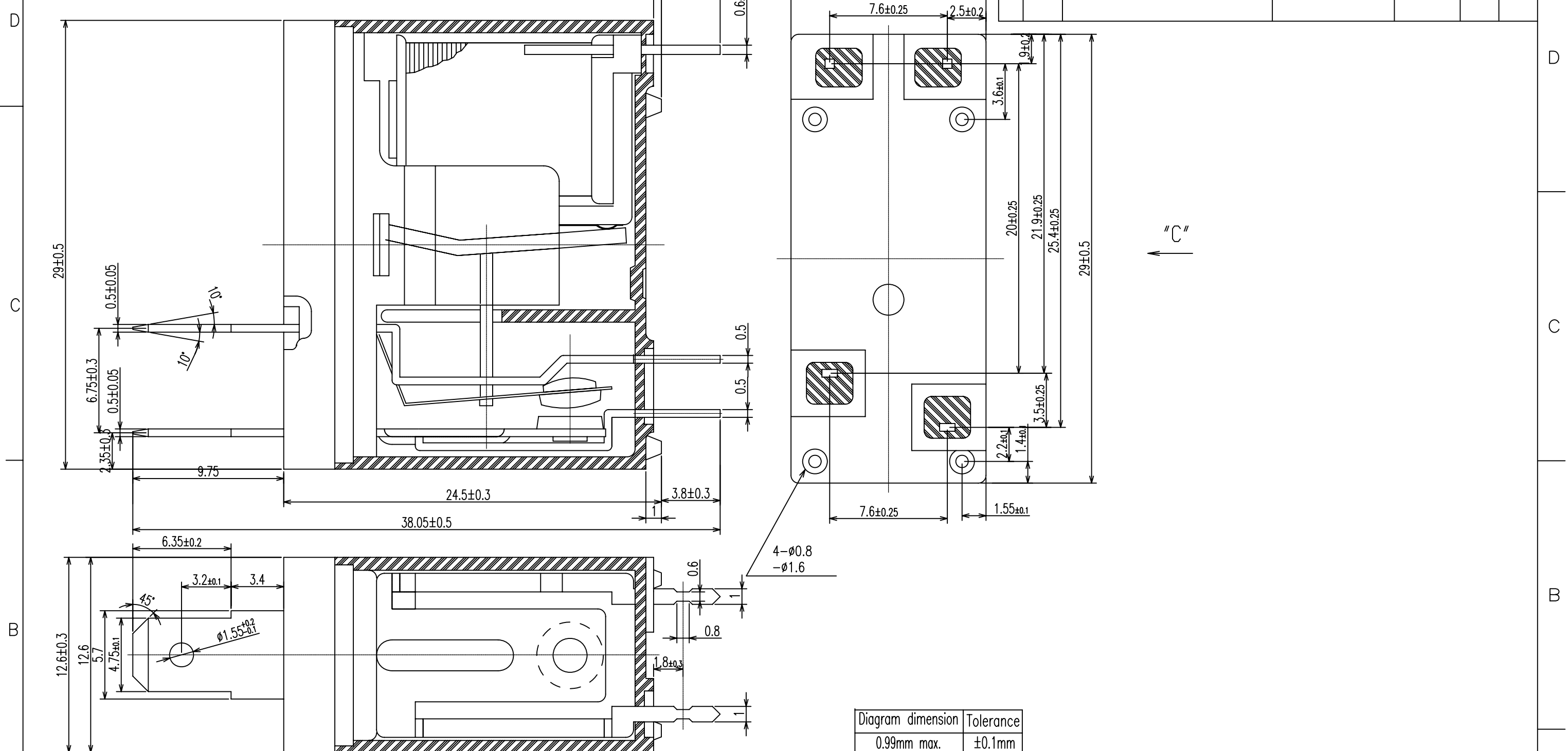


Diagram dimension	Tolerance
0.99mm max.	±0.1mm
1 - 2.99mm	±0.2mm
3mm min.	±0.3mm

THIS DRAWING IS A CONTROLLED DOCUMENT FOR TYCO ELECTRONICS CORPORATION IT IS SUBJECT TO CHANGE AND THE CONTROLLING ENGINEERING ORGANIZATION SHOULD BE CONTACTED FOR THE LATEST REVISION.		DWN Fu.Bo	Tyco Electronics EC K.K. Tochigi, Japan									
DIMENSIONS: mm		CHK XN,Zhang										
TOLERANCES UNLESS OTHERWISE SPECIFIED:		APVD YAN,WEN	OMIF-S-LM ,000 CUSTOMER DRAWING									
<table border="0"> <tr><td>0 PLC</td><td>±</td></tr> <tr><td>1 PLC</td><td>±</td></tr> <tr><td>2 PLC</td><td>±</td></tr> <tr><td>3 PLC</td><td>±</td></tr> <tr><td>4 PLC</td><td>±</td></tr> </table>		0 PLC			±	1 PLC	±	2 PLC	±	3 PLC	±	4 PLC
0 PLC	±											
1 PLC	±											
2 PLC	±											
3 PLC	±											
4 PLC	±											
MATERIAL SEE MATERIAL TABLE		FINISH	APPLICATION SPEC	RESTRICTED TO								
		WEIGHT	SIZE A3	GAGE CODE 00779								
		CUSTOMER DRAWING	DRAWING NO 1419123-9	SCALE 4:1								
			SHEET 1 of 2	REV A								

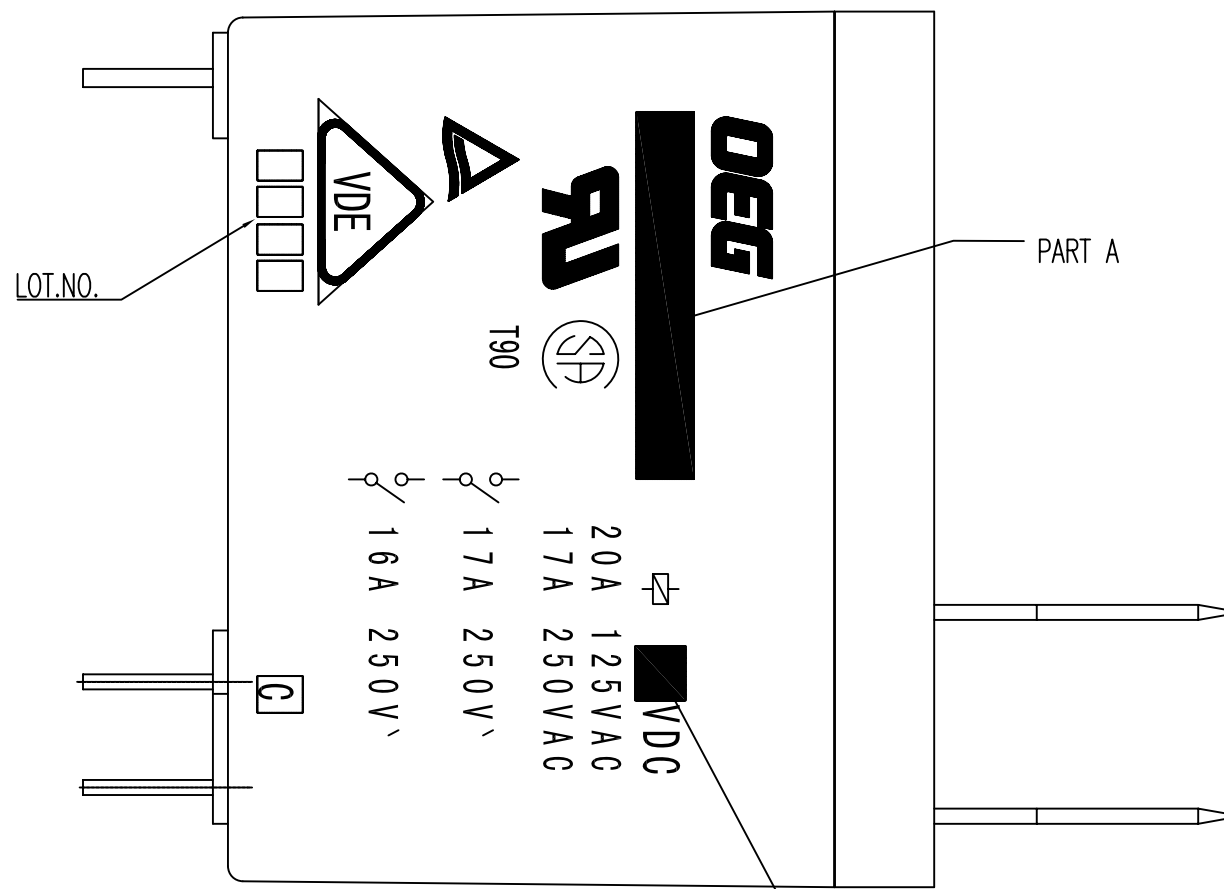
8 7 6 5 4 3 2 1

THIS DRAWING IS UNPUBLISHED. RELEASED FOR PUBLICATION
 © COPYRIGHT BY TYCO ELECTRONICS CORPORATION. ALL RIGHTS RESERVED.

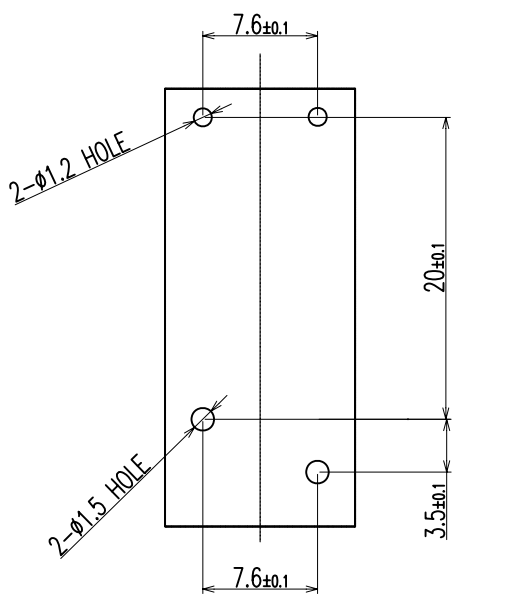
LOC HH	DIST	REVISIONS						
		P	LTR	DESCRIPTION	ECN	DATE	DWN	APVD

PART NO	EC TYPE NO	PART B	PART A	TYPE
2-1419123-7	OMIF-S-124LM,000	24	OMIF-S-124LM	d
2-1419123-2	OMIF-S-118LM,000	18	OMIF-S-118LM	c
1419123-9	OMIF-S-112LM,000	12	OMIF-S-112LM	b
1419123-7	OMIF-S-109LM,000	9	OMIF-S-109LM	a

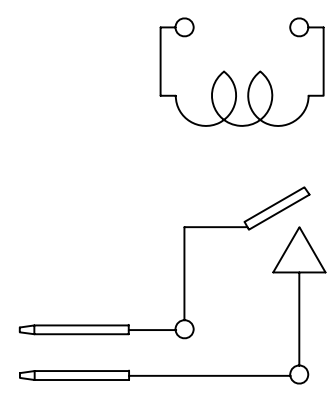
RELAY TYPE



VIEW CF MARKING



DRILLING DIAGRAM (BOTTOM VIEW)(2/1)



CONNECTION DIAGRAM

NOTE.
 1.THE LOT NO. ACCORDING TO THE FOLLOWING:
 06 42
 WEEK YEAR

AR	AR	AR	AR			EPOXY RESIN	SEAL	16
AR	AR	AR	AR			UEW	MAGNETIC WIRE	15
1	1	1	1	94V-0		PBT	CASE	14
1	1	1	1	94V-0		PET	BASE	13
1	1	1	1	94V-0		PBT	BOBBIN	12
2	2	2	2		SOLDER DIP	CP WIRE	COIL TERMINAL	11
1	1	1	1	94V-0		PPS	CARD	10
1	1	1	1			Ag ALLOY	MOVABLE CONTACT	9
1	1	1	1			Ag ALLOY	STATIONARY CONTACT	8
1	1	1	1			Cu ALLOY	HINGE SPRING	7
1	1	1	1		SOLDER DIP	Cu ALLOY	MOVABLE SPRING	6
1	1	1	1		SOLDER DIP	Cu ALLOY	C-TERMINAL	5
1	1	1	1		FMN 2	Cu ALLOY	M-TERMINAL	4
1	1	1	1		FMN 2	STEEL	CORE	3
1	1	1	1		FMN 2	STEEL	ARMATURE	2
1	1	1	1		FMN 2	STEEL	YOKE	1

THIS DRAWING IS A CONTROLLED DOCUMENT FOR TYCO ELECTRONICS CORPORATION IT IS SUBJECT TO CHANGE AND THE CONTROLLING ENGINEERING ORGANIZATION SHOULD BE CONTACTED FOR THE LATEST REVISION.		DWN Fu.Bo	Tyco Electronics EC K.K. Tochigi, Japan	
DIMENSIONS: mm		CHK XN,Zhang		
TOLERANCES UNLESS OTHERWISE SPECIFIED:		APVD YAN,WEN	OMIF-S-LM ,000 CUSTOMER DRAWING	
0 PLC ±		PRODUCT SPEC		
1 PLC ±		APPLICATION SPEC	SIZE A3 GAGE CODE 00779 DRAWING NO 1419123-9 RESTRICTED TO	
2 PLC ±		WEIGHT		
3 PLC ±		CUSTOMER DRAWING SCALE 4:1 SHEET 2 of 2 REV A		
4 PLC ±				
MATERIAL SEE MATERIAL TABLE				