

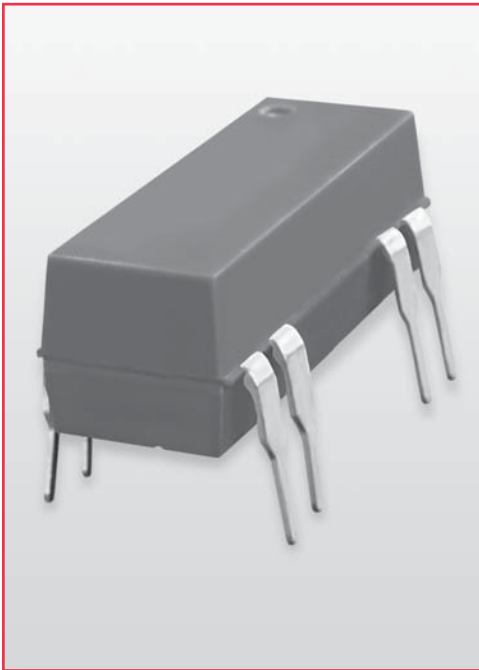
阅读申明

- 1.本站收集的数据手册和产品资料都来自互联网，版权归原作者所有。如读者和版权方有任何异议请及时告之，我们将妥善解决。
- 2.本站提供的中文数据手册是英文数据手册的中文翻译，其目的是协助用户阅读，该译文无法自动跟随原稿更新，同时也可能存在翻译上的不当。建议读者以英文原稿为参考以便获得更精准的信息。
- 3.本站提供的产品资料，来自厂商的技术支持或者使用者的心得体会等，其内容可能存在描述上的差异，建议读者做出适当判断。
- 4.如需与我们联系，请发邮件到marketing@iczoom.com，主题请标有“数据手册”字样。

Read Statement

1. The datasheets and other product information on the site are all from network reference or other public materials, and the copyright belongs to the original author and original published source. If readers and copyright owners have any objections, please contact us and we will deal with it in a timely manner.
2. The Chinese datasheets provided on the website is a Chinese translation of the English datasheets. Its purpose is for reader's learning exchange only and do not involve commercial purposes. The translation cannot be automatically updated with the original manuscript, and there may also be improper translations. Readers are advised to use the English manuscript as a reference for more accurate information.
3. All product information provided on the website refer to solutions from manufacturers' technical support or users the contents may have differences in description, and readers are advised to take the original article as the standard.
4. If you have any questions, please contact us at marketing@iczoom.com and mark the subject with "Datasheets" .

8000 Series/DIP Reed Relays

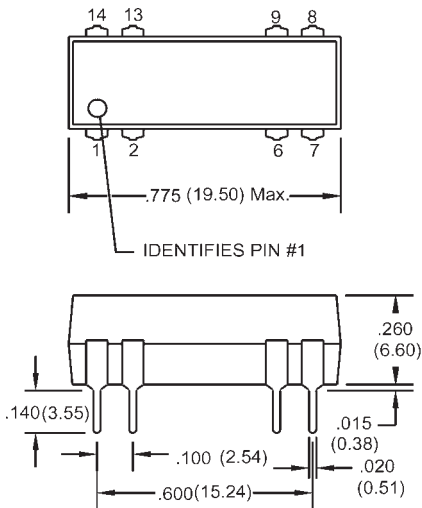


DIP Reed Relays

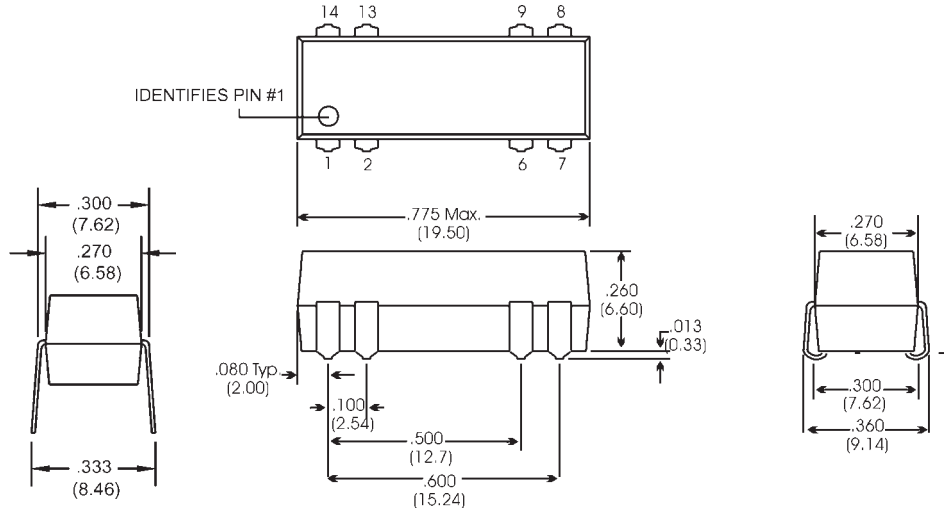
The 8000 Series is ideally suited to the needs of Automated Test Equipment, Instrumentation, Data Acquisition, and Process Control requirements. The specification tables allow you to select the appropriate relay for your particular application. If your requirements differ from the selection options, please consult your local representative or Coto's Factory to discuss a custom reed relay.

8000 Series Features

- ◆ 14-Pin DIP industry standard package
- ◆ High Insulation Resistance - $10^{12} \Omega$ offered on most models
- ◆ High reliability, hermetically sealed contacts for long life (proven to 500 million operations)
- ◆ Contact forms; 1A, 2A, 1B and 1C available
- ◆ Surface mount version available
- ◆ Molded thermoset body on integral lead frame design
- ◆ Optional Electrostatic Shield for reducing capacitive coupling
- ◆ Coil suppression diode available
- ◆ High Voltage Breakdown versions available
- ◆ UL File # E67117



(For Model #'s 8001, 8002, 8021 & 8041)



(For Model # 8061)

Dimensions in Inches (Millimeters)

Ordering Information

Part Number	80XX-XX-XX1
Model Number	Diode Option ³
8001 8041 8061	0=No Diode 1=Diode
Coil Voltage	Shield Option ⁴
05=5 volts	0=No Shield
12=12 volts	1=Electrostatic Shield

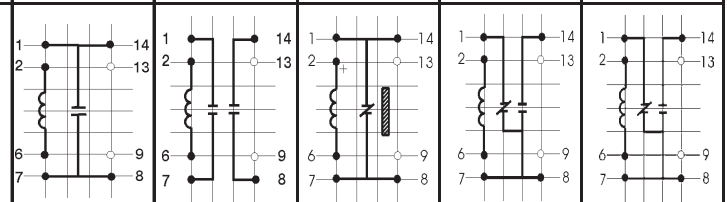
Ordering Information

Part Number	80XX-XX-XX
Model Number	Diode Option ³
8002 8021	0=No Diode 1=Diode
Coil Voltage	Shield Option ⁴
05=5 volts	0=No Shield
12=12 volts	1=Electrostatic Shield

8000 Series/DIP Reed Relays

Model Number			8001 ^{2,3,4}	8002 ^{2,3,4}	8021 ^{2,3,4}	8041 ^{2,3,4}	8061 ^{2,3,4,5}
Parameters	Test Conditions	Units	1 Form A	2 Form A	1 Form B	1 Form C	1 Form C SMD
COIL SPECS.							
Nom. Coil Voltage		VDC	5 12	5 12	5 12	5 12	5 12
Max. Coil Voltage		VDC	6.5 15	6.5 15	6.5 15	6.5 15	6.5 15
Coil Resistance	+/- 10%, 25° C	Ω	500 500	200 500	200 500	200 500	200 500
Operate Voltage	Must Operate by	VDC - Max.	3.8 9.6	3.8 9.6	3.8 9.6	3.8 9.6	3.8 9.6
Release Voltage	Must Release by	VDC - Min.	0.5 1.0	0.5 1.0	0.5 1.0	0.5 1.0	0.5 1.0
CONTACT RATINGS							
Switching Voltage	Max DC/Peak AC Resist.	Volts	200	200	200	100	100
Switching Current	Max DC/Peak AC Resist.	Amps	0.5	0.5	0.5	0.25	0.25
Carry Current	Max DC/Peak AC Resist.	Amps	1.0	1.0	1.0	0.5	0.5
Contact Rating	Max DC/Peak AC Resist.	Watts	10	10	10	3	3
Life Expectancy-Typical ¹	Signal Level 1.0V,10mA	x 10 ⁶ Ops.	500	500	500	100	100
Static Contact Resistance (max. init.)	50mV, 10mA	Ω	0.150	0.150	0.150	0.200	0.200
Dynamic Contact Resistance (max. init.)	0.5V, 50mA at 100 Hz, 1.5 msec	Ω	0.200	0.200	0.200	0.250	0.250
RELAY SPECIFICATIONS							
Insulation Resistance (minimum)	Between all Isolated Pins at 100V, 25°C, 40% RH	Ω	10 ¹²	10 ¹²	10 ¹²	10 ¹⁰	10 ¹⁰
Capacitance - Typical Across Open Contacts	No Shield	pF	0.5	0.5	0.5	1.5	1.5
	Shield Floating	pF	1.0	0.5	0.5	1.5	1.5
	Shield Guarding	pF	0.5	0.2	0.2	1.0	1.0
Open Contact to Coil	No Shield	pF	1.5	1.5	2.5	1.5	1.5
	Shield Floating	pF	2.0	2.0	2.0	2.0	2.0
	Shield Guarding	pF	0.5	0.5	1.5	0.5	0.5
Contact to Shield	Contacts Open, Shield Floating	pF	2.0	1.5	2.0	2.0	2.0
	Between Contacts	VDC/peak AC	300	300	300	200	200
Dielectric Strength (minimum)	Contacts to Shield	VDC/peak AC	1500	1500	1500	1500	1500
	Contacts/Shield to Coil	VDC/peak AC	1500	1500	1500	1500	1500
	At Nominal Coil Voltage, 30 Hz Square Wave	msec.	0.5	0.5	0.5	1.0	1.0
Operate Time - including bounce - Typical							
Release Time - Typical	Diode Suppression ⁶	msec.	1.0	1.0	1.0	1.5	1.5
	No Suppression	msec.	0.5	0.5	0.5	1.0	1.0

Top View:
Dot stamped on top of relay refers to pin #1 location
Grid = .1"x.1" (2.54mm x 2.54mm)



Notes:

- ¹ Consult factory for life expectancy at other switching loads.
- ² Molded depression on top of relay refers to pin #1 location.
- ³ Optional coil suppression diode across pins 2(+) and 6(-).
- ⁴ Optional ES Shield is tied to pin 9.
- ⁵ Surface mount processing temperature: 260°C max for 1 minute dwell time. Temperature measured on leads where lead exits molded package.
- ⁶ Consists of 56V Zener diode and 1N4148 diode in series, connected in parallel with coil.

Environmental Ratings

Storage Temp: -35°C to +100°C;
 Operating Temp: -20°C to +85°C
 Solder Temp: 270°C max; 10 sec. max
 The operate and release voltage and the coil resistance are specified at 25°C.
 These values vary by approximately 0.4% / °C as the ambient temperature varies.
 Vibration: 20 G's to 2000 Hz; Shock: 50 G's