

## 阅读申明

- 1.本站收集的数据手册和产品资料都来自互联网，版权归原作者所有。如读者和版权方有任何异议请及时告之，我们将妥善解决。
- 2.本站提供的中文数据手册是英文数据手册的中文翻译，其目的是协助用户阅读，该译文无法自动跟随原稿更新，同时也可能存在翻译上的不当。建议读者以英文原稿为参考以便获得更精准的信息。
- 3.本站提供的产品资料，来自厂商的技术支持或者使用者的心得体会等，其内容可能存在描述上的差异，建议读者做出适当判断。
- 4.如需与我们联系，请发邮件到marketing@iczoom.com，主题请标有“数据手册”字样。

## Read Statement

1. The datasheets and other product information on the site are all from network reference or other public materials, and the copyright belongs to the original author and original published source. If readers and copyright owners have any objections, please contact us and we will deal with it in a timely manner.
2. The Chinese datasheets provided on the website is a Chinese translation of the English datasheets. Its purpose is for reader's learning exchange only and do not involve commercial purposes. The translation cannot be automatically updated with the original manuscript, and there may also be improper translations. Readers are advised to use the English manuscript as a reference for more accurate information.
3. All product information provided on the website refer to solutions from manufacturers' technical support or users the contents may have differences in description, and readers are advised to take the original article as the standard.
4. If you have any questions, please contact us at marketing@iczoom.com and mark the subject with "Datasheets" .

SPEC.SHEET NO:

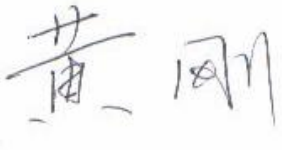

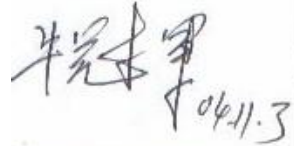
Address:  
Block 9, Shuiwei Ind Zone, Shuiwei New  
Village, Dalang, Longhua, Shenzhen,  
Guangdong, China 518109

Tel: (86)755-28121370/ 28121371/28109416/28109419  
Fax: (86)755-28109417  
E-mail: [rd@horn.com.cn](mailto:rd@horn.com.cn)  
Website: [www.horn.com.cn](http://www.horn.com.cn)

**CUSTOMER :Digi-Key Corporation**

**APPROVAL SHEET**

PRODUCT NAME	PART NUMBER	DIMENSION	
HOLDER	<b>01.AE.MT.974501</b>	Φ 12.0×5.5 (mm)	

APPROVED BY	CHECKED BY	ISSUED BY
 黄刚 04.11.3	 11.03	 04.11.3

APPROVED BY

DATE

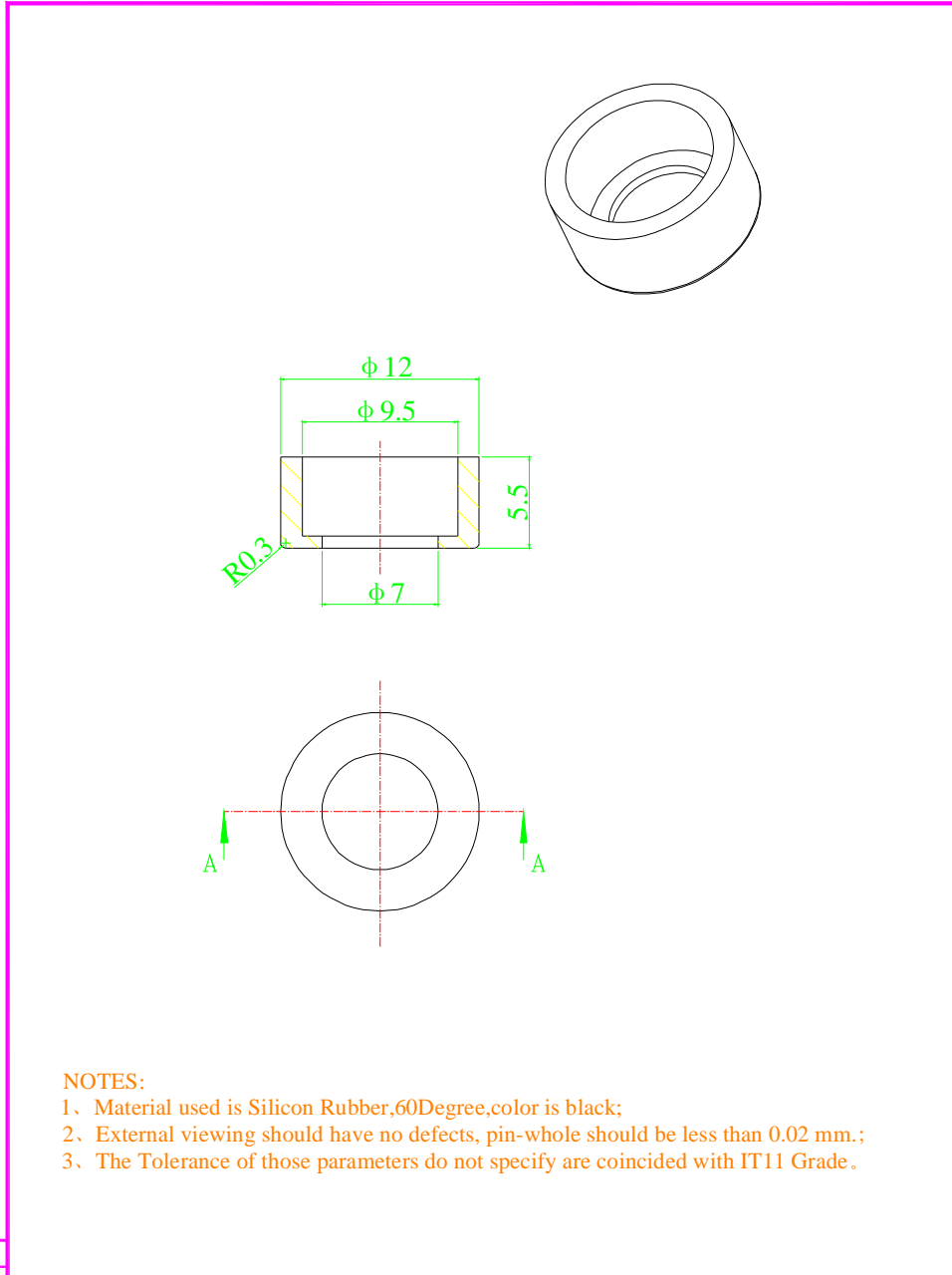
**PART NUMBER: 01.AE.MT.974501**

**SPEC.SHEET NO:**

Address:  
Block 9, Shuiwei Ind Zone, Shuiwei New  
Village, Dalang, Longhua, Shenzhen,  
Guangdong, China 518109

Tel: (86)755-28121370/ 28121371/28109416/28109419  
Fax: (86)755-28109417  
E-mail: [rd@horn.com.cn](mailto:rd@horn.com.cn)  
Website: [www.horn.com.cn](http://www.horn.com.cn)

## Holder:



**NOTES:**

- 1、 Material used is Silicon Rubber, 60Degree, color is black;
- 2、 External viewing should have no defects, pin-whole should be less than 0.02 mm.;
- 3、 The Tolerance of those parameters do not specify are coincided with IT11 Grade.

				<b>Holder Rubber</b>		Material: silicon rubber	
						Part No: 01.AE.MT.974501	
Drawing No	Mark	Doc No.	Signature	Date			Proportion
	design			date			1:1
Version	check			date			<b>HORN</b> Shenzhen Horn Electroacoustic Technology Co.,Ltd
	approve			date			
					Page 1 of 1		

**PART NUMBER: 01.AE.MT.974501**

Address:  
Block 9,Shuiwei Ind Zone,Shuiwei New  
Village,Dalang,Longhua,Shenzhen,  
Guangdong,China 518109

Tel:(86)755-28121370/ 28121371/28109416/28109419  
Fax: (86)755-28109417  
E-mail: [rd@horn.com.cn](mailto:rd@horn.com.cn)  
Website:[www.horn.com.cn](http://www.horn.com.cn)

## Packaging Detail:

### 1. Small Packet

The microphone-holder is for the use of ECM9745 type ,With its P/N: 01.AE.MT.974501.

50pcs of the holder are put in a transparent plastic bag as the packet.



**Figure 1**

### 2. Inner Packing

10 plastic packets are put in an INNER box. The will be 500 pieces of microphone-holders contained in this INNER box. For details, Please refer to figure 2.

Mearsure of the package:

Code	Dimension	Unit
Length	202	mm
Width	102	mm
Height	85	mm



**Figure 2**

### 3. Master carton packing:

One master carton contains 8 INNER boxes and one mastercarton usually has 4000 pieces microphone-holders .

**PART NUMBER: 01.AE.MT.974501**

SPEC.SHEET NO:

Address:  
Block 9,Shuiwei Ind Zone,Shuiwei New  
Village,Dalang,Longhua,Shenzhen,  
Guangdong,China 518109

Tel:(86)755-28121370/ 28121371/28109416/28109419  
Fax: (86)755-28109417  
E-mail: [rd@horn.com.cn](mailto:rd@horn.com.cn)  
Website:[www.horn.com.cn](http://www.horn.com.cn)

**But if the quantity of one order is not up to 4000 pieces, proper transportation boxes will be used. Please refer to figure 3.**

Code	Dimension	Unit
Length	540	mm
Width	220	mm
Height	205	mm

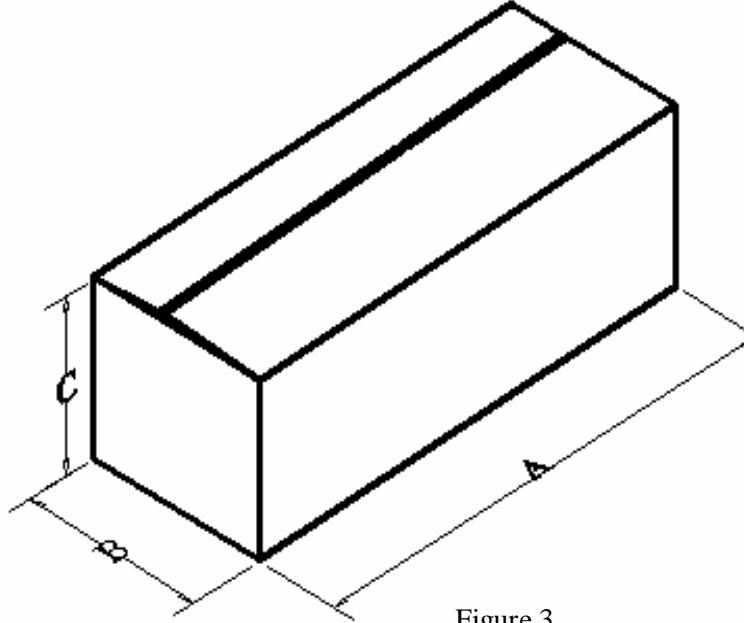


Figure 3

#### 4. Weight detail:

The weight of a piece of microphone-holder is about 0.3g ,and look at The weight detail table below.

01.AE.MT.974501 COMPONENT PACKING		Bulk Pack(BP)	
Normal	Inner Box	Quantity	500pcs
		Sizes(L*W*H)	202*102*85mm
		net Weight	0.152kg
		Gross Weight	0.212kg
	Carton Packing	Quantity	1000pcs
		Sizes(L*W*H)	540*220*205mm
		net Weight	0.304kg
		Gross Weight	0.904kg
		Quantity	2000pcs
		Sizes(L*W*H)	540*220*205mm
		net Weight	0.608kg
		Gross Weight	1.208kg
		Quantity	4000pcs
		Sizes(L*W*H)	540*220*205mm
net Weight	1.216kg		
Gross Weight	1.816kg		

**PART NUMBER: 01.AE.MT.974501**