

阅读申明

- 1.本站收集的数据手册和产品资料都来自互联网，版权归原作者所有。如读者和版权方有任何异议请及时告之，我们将妥善解决。
- 2.本站提供的中文数据手册是英文数据手册的中文翻译，其目的是协助用户阅读，该译文无法自动跟随原稿更新，同时也可能存在翻译上的不当。建议读者以英文原稿为参考以便获得更精准的信息。
- 3.本站提供的产品资料，来自厂商的技术支持或者使用者的心得体会等，其内容可能存在描述上的差异，建议读者做出适当判断。
- 4.如需与我们联系，请发邮件到marketing@iczoom.com，主题请标有“数据手册”字样。

Read Statement

1. The datasheets and other product information on the site are all from network reference or other public materials, and the copyright belongs to the original author and original published source. If readers and copyright owners have any objections, please contact us and we will deal with it in a timely manner.
2. The Chinese datasheets provided on the website is a Chinese translation of the English datasheets. Its purpose is for reader's learning exchange only and do not involve commercial purposes. The translation cannot be automatically updated with the original manuscript, and there may also be improper translations. Readers are advised to use the English manuscript as a reference for more accurate information.
3. All product information provided on the website refer to solutions from manufacturers' technical support or users the contents may have differences in description, and readers are advised to take the original article as the standard.
4. If you have any questions, please contact us at marketing@iczoom.com and mark the subject with "Datasheets" .



No. EQM08-4KC-D3BX404E

PRELIMINALY

Messrs : _____

APPROVAL SHEET
(KYOCERA CORPORATION PIEZO BUZZER SPECIFICATION)
(RoHS Compliant Product)

APPROVED

(Please sign here and send copy back to us.)

Kindly send us back a copy of this specification sheet with your signature.
The specifications shall be regarded as "APPROVED" unless we received your disagreement or
Counterproposal before your placement of initial order for the part number specified.

Part No. KBS-27DA-5C-105

Date Mar. 10. 2008

KYOCERA CORPORATION

Drawn by

Checked by

 Checked by

 Approved by

1.SCOPE

This specification shall cover the characteristics of the Piezoelectric Acoustic Generator for Buzzer, Ringer and etc.

2.KYOCERA PART No. : KBS-27DA-5C-105

3.ELECTRICAL CHARACTERISTICS

	ITEM	SPEC
3-1.	Resonant Frequency (Fr)	4.6 +/- 0.5 kHz
3-2.	Resonant Impedance (Ro)	1,500 ohms MAX.
3-3.	Static Capacitance (Cd)	20,000 pF +/- 30%
3-4.	Temperature Characteristics	As shown in Table 1. At - 20deg. C to + 60deg. C
3-5.	Input Voltage	30Vp-p MAX.
3-6.	Operating Temperature	- 20deg. C to + 60deg.C
3-7.	Storage Temperature	- 30deg. C to + 70deg.C
3-8.	DC Voltage	Not to be applied between electrodes.

4.MEASUREMENT**4-1.Measurement Conditions.**

The reference temperature shall be 25+/-2deg.C. The measurement shall be performed at the temperature range of 5deg.C to 35deg.C unless the result is doubtful.

4-2.Measurement Instruments.**4-2-1:Resonant Frequency (Fr) and Resonant Impedance (Ro)**

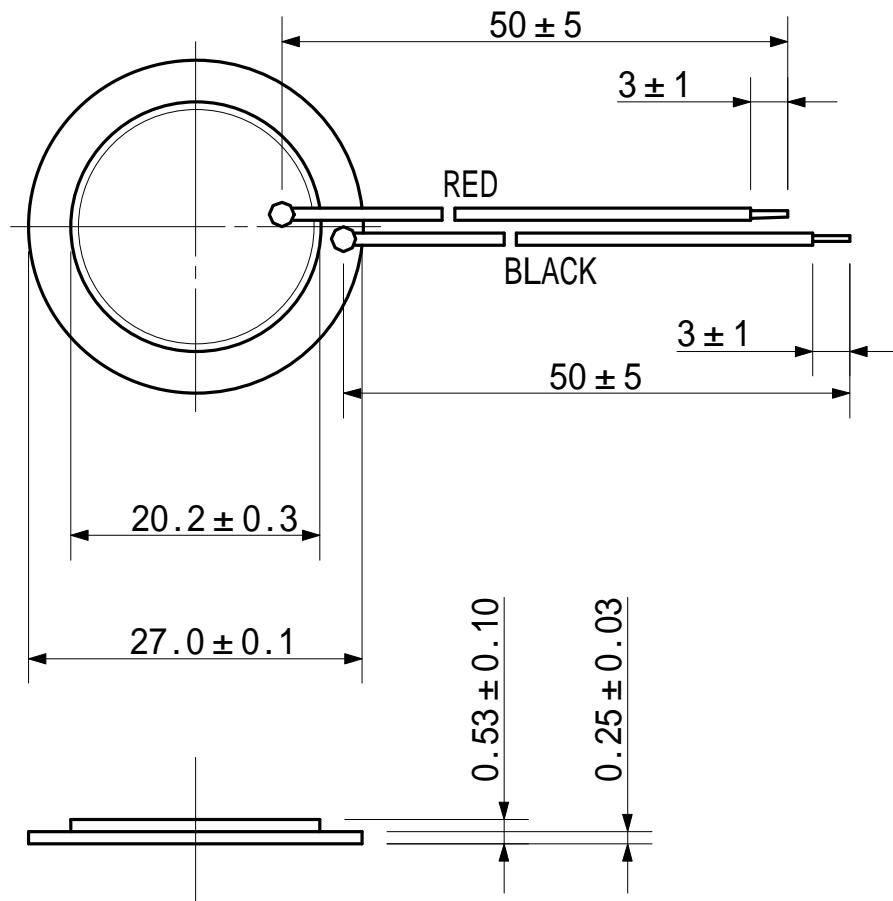
Impedance/Gain-Phase Analyzer H.P.4194A

4-2-2:Static Capacitance.

LCR Meter (Y.H.P.4261A) at 1kHz

5.Appearance

5-1.Drawing



- | | |
|--------------|---------|
| 1) Metal | :Brass |
| 2) Ceramic | :KPM-31 |
| 3) Electrode | :Silver |
| 4) Leads | :AWG-32 |
| 5) Unit | :mm |

5-2. The elements shall be free from obvious contamination, deep scratches and metal deformation.

5-3. The tolerance of concentricity between the metal disc and the ceramic shall be within 1.5mm.

5-4. The exudation of bonding glue shall be within 1.5mm.

5-5. The crack of the ceramic disc shall be small.

- 1) To the center from the edge: within 0.5mm.
- 2) To the tangential direction: within 2.0mm.

6. ENVIRONMENTAL CHARACTERISTICS

6-1. Moisture Storage.

Keep the element at the 40 +/- 2deg.C and 90 to 95%(R.H.) for 96 +/-4 hours.

Then, release the element into the room conditions for 12hours prior to the measurement.

It shall fulfill the specifications in Table 2.

6-2. High Temperature Storage.

Subject the element to 70+/-5deg.C for 96+/-4 hours. Then, release the element into the room conditions for 12hours prior to the measurement.

It shall fulfill the specifications in Table 2.

6-3. Low Temperature Storage.

Subject the element to -30+/-5deg.C for 96+/-4 hours. Then, release the element into the room conditions for 12hours prior to the measurement.

It shall fulfill the specifications in Table 2.

6-4. Temperature Cycles.

Subject the element to a low temperature of – 30deg.C for 30minuts, followed by a high temperature of + 70deg.C for 30minuts. Cycling shall be repeated 5times with a transfer time of 15minuts max. at the room temperature. Then, release the element into the room conditions for 12hours prior to the measurement.

It shall fulfill the specifications in Table 2.

Table 1.

Resonant Frequency	Initial Value +/- 30% MAX.
Static Capacitance	Initial Value +/- 0.8%/deg.C MAX.

Initial Value at 20deg.C

Table 2.

Resonant Frequency	+/- 10% MAX.
Static Capacitance	+/- 10% MAX

7. Remark

Not to be applied DC voltage.

8. The environment hazardous substance (RoHS Compliant Certificate)

This product is compliant with the European RoHS material requirements.

(Lead in this product is exempted from the RoHS requirement in the ANNEX.)