

## 阅读申明

- 1.本站收集的数据手册和产品资料都来自互联网，版权归原作者所有。如读者和版权方有任何异议请及时告之，我们将妥善解决。
- 2.本站提供的中文数据手册是英文数据手册的中文翻译，其目的是协助用户阅读，该译文无法自动跟随原稿更新，同时也可能存在翻译上的不当。建议读者以英文原稿为参考以便获得更精准的信息。
- 3.本站提供的产品资料，来自厂商的技术支持或者使用者的心得体会等，其内容可能存在描述上的差异，建议读者做出适当判断。
- 4.如需与我们联系，请发邮件到marketing@iczoom.com，主题请标有“数据手册”字样。

## Read Statement

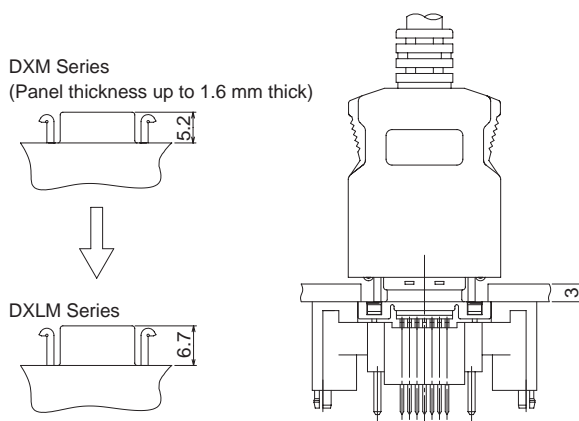
1. The datasheets and other product information on the site are all from network reference or other public materials, and the copyright belongs to the original author and original published source. If readers and copyright owners have any objections, please contact us and we will deal with it in a timely manner.
2. The Chinese datasheets provided on the website is a Chinese translation of the English datasheets. Its purpose is for reader's learning exchange only and do not involve commercial purposes. The translation cannot be automatically updated with the original manuscript, and there may also be improper translations. Readers are advised to use the English manuscript as a reference for more accurate information.
3. All product information provided on the website refer to solutions from manufacturers' technical support or users the contents may have differences in description, and readers are advised to take the original article as the standard.
4. If you have any questions, please contact us at marketing@iczoom.com and mark the subject with "Datasheets" .

# D-configuration Connectors for Digital Broadcasting Equipment

## DXLM Series



### Accepts panel thickness up to 3 mm



## ■ Features

### 1. Increased range of the mounting panel thickness

Extension of the mating and locking area by 1.5 mm has allowed the DXLM Series to be mounted on panels up to 3mm thick.

### 2. Effective protection against electrostatic discharge

Unique Hirose Electric design makes reliable ground connection in sequence, with metal shell first, then the board circuit.

### 3. Temporary board holding feature

Deflecting force of the side protrusion of the insulator's posts against the walls of holes provides superior retention to the board, preventing leaning forward during handling.

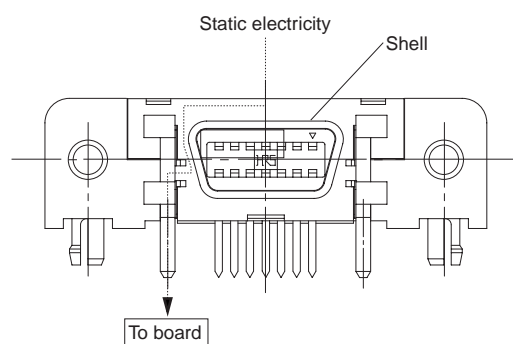
### 4. Superior stability and retention to the board

Solid metal grounding posts are soldered to the board. This creates extremely strong retention to the board, allowing the assembly to retain reliable connections, even when large forces are applied when miss-mating or pulling.

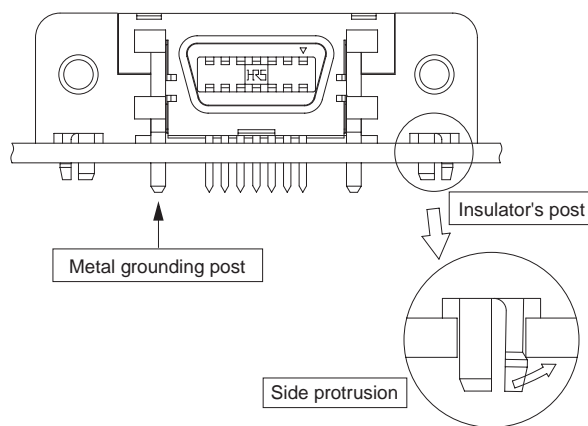
### 5. RC-5237, EIAJ Standard

Conforms to the requirements for D-configuration connector used in connections for digital image broadcast.

### Effective protection against electrostatic discharge



### Superior stability and retention to the board



## ■ Applications

TV, STB, DVD, LCD TV and other equipment supporting digital broadcasts

## Product Specifications

Rating	Current rating	1 A DC	Operating temperature range	-25°C to +70°C
	Voltage rating	250 V AC		

Item	Specification	Conditions
1. Contact resistance	80 m ohms max.	100mA DC
2. Insulation resistance	500 M ohms min.	500 V DC
3. Withstanding voltage	No flashover or insulation breakdown	500 V AC / one minute
4. Mating/un-mating forces	30N max. (mating) 4.2N min. (un-mating)	With corresponding connector assembly.
5. Durability (mating/un-mating)	Contact resistance: 25 m ohms max. variation from initial value No damage, cracks, or parts dislocation	500 cycles
6. Vibration	No electrical discontinuity of 1 ms or more No damage, cracks, or parts dislocation	Frequency: 10 to 55 Hz, single amplitude of 0.75 mm, 2 hours / 3 axis
7. Shock		Acceleration of 490 m/s <sup>2</sup> ; 6 ms duration, sine half-wave wave form, 3 cycles in each of the 3 axis
8. Humidity (Steady state)	Contact resistance: 25 m ohms max. variation from initial value Insulation resistance: 100 M ohms min.	96 hours at 40°C, humidity of 90% to 95%
9. Temperature cycle	Contact resistance: 25 m ohms max. variation from initial value Insulation resistance: 100 M ohms min.	Temperature: -25 °C --> +5 °C to +35 °C --> +70 °C --> +5 °C to +35 °C Duration: 30 --> 2 to 3 --> 30 --> 2 to 3 (Minutes) 5 cycles
10. Salt Spray	Contact resistance: 25 m ohms max. variation from initial value	5% salt water solution for 48 hours

## Material

Part	Material	Finish	Remarks
Contact: Receptacle	Brass	Selective gold plating	—
Contact: Plug	Phosphor bronze	Selective gold plating	—
Insulator	PBT	Color: Black	UL94V-0
Shell	Stainless steel	—	—
Cover	Non-Halogen	Color: Gray	—
Cable outer insulation	Non-Halogen	Color: Gray	—

## Ordering Information

### ● Receptacles

**DX** **10** **LM** **1** — **14** **S** **E** **(50)**

① ② ① ③ ④ ⑤ ⑥ ⑩

### ● Plugs

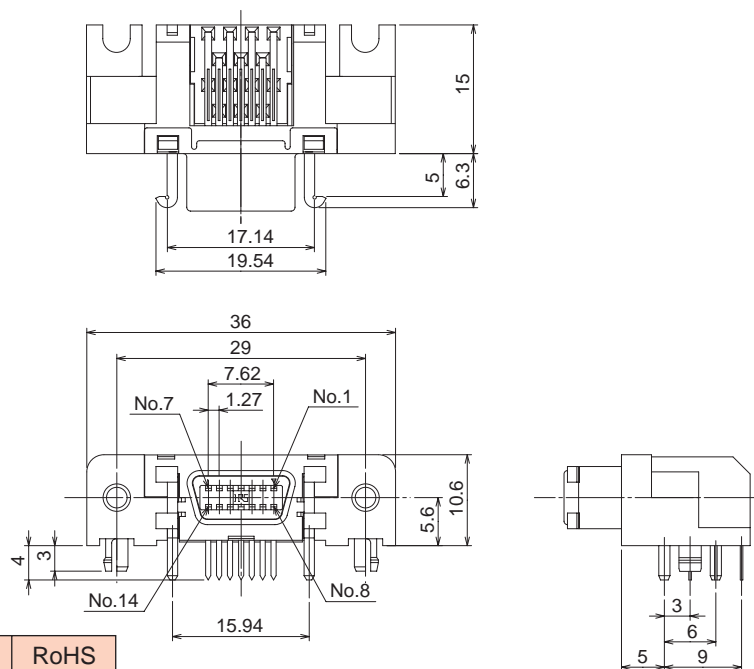
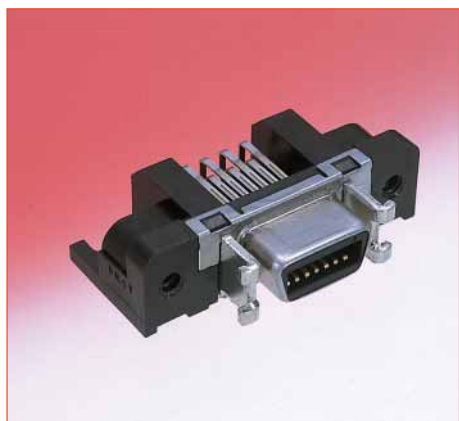
**DX** **40** **LM** — **14** **PP** — **150** **CV** **(50)**

① ② ① ④ ⑦ ⑧ ⑨ ⑩

① Series name: DXLM	⑥ Board mounting type E: Temporary insulator's post
② Termination type 10: PCB Right-angle through hole type 20: PCB Straight through hole type 40: Soldering type	⑦ Cable Harness type PP: D-configuration connector at both ends P: D-configuration connector on one end/single audio connectors on other end
③ Form type Blank: Standard item 1: Miniature type 2: Miniature panel single screw panel attachment	⑧ Overall length 150: 150 cm 300: 300 cm
④ Number of Positions: 14	⑨ Cover type CV: Standard
⑤ Configuration of mating side S: Receptacle	⑩ Plating (50) : Gold plating

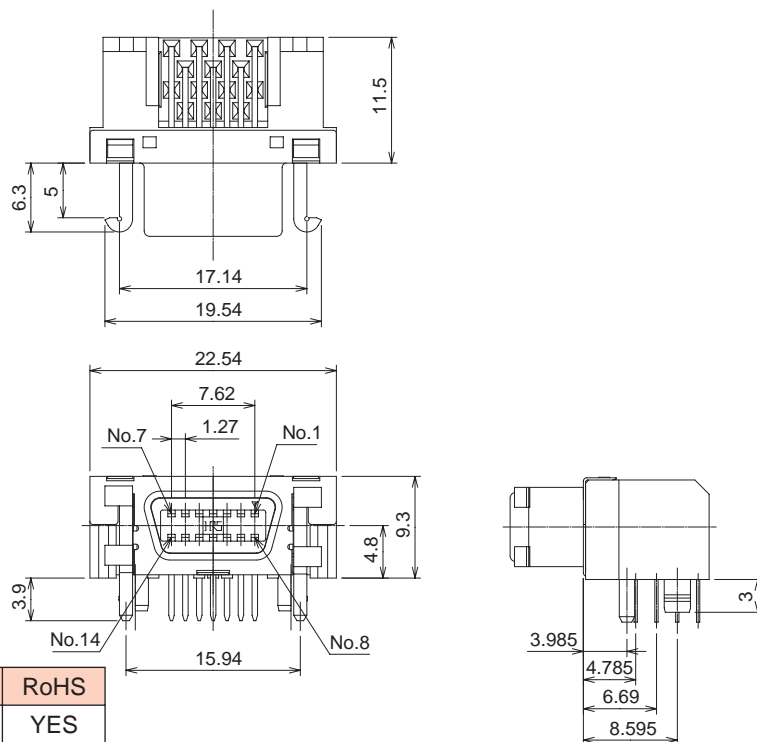
## Receptacles

### ●PCB Right-angle through hole type



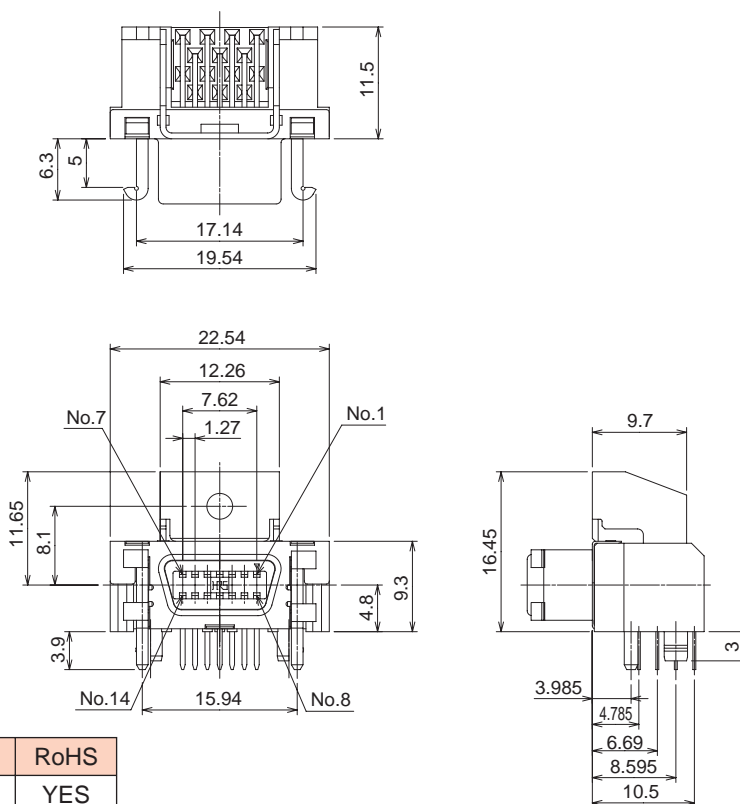
Part Number	CL No.	RoHS
DX10LM-14SE(50)	230-5256-0-50	YES

### ●Miniature PCB Right-angle through hole type



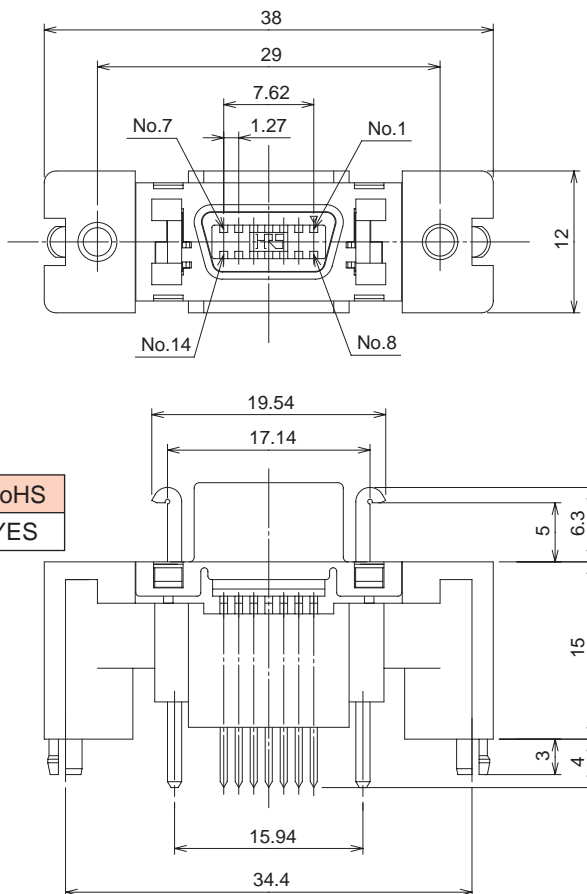
Part Number	CL No.	RoHS
DX10LM1-14SE(50)	230-5258-5-50	YES

● Miniature PCB Right-angle through hole type (Single panel screw)



Part Number	CL No.	RoHS
DX10LM2-14SE(50)	230-5262-2-50	YES

● PCB Straight through hole type (Double panel screws)



Part Number	CL No.	RoHS
DX20LM-14SE(50)	230-5257-2-50	YES

## ■ Plug Connectors (Cable assemblies)

### ● D-configuration connector to D-configuration connector



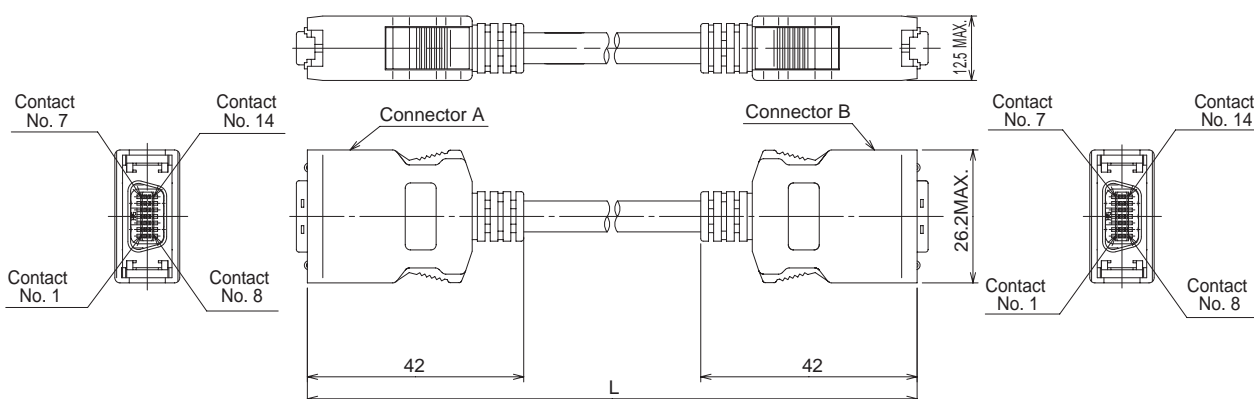
Wiring Table

Connector A Contact No.	Connector B Contact No.	Pin assignment
1	1	Y
2	2	Y-GND
3	3	Pb
4	4	Pb-GND
5	5	Pr
6	6	Pr-GND
7	7	Auxiliary line 1
8	8	Line 1
9	9	Line 2
10	10	Auxiliary line 2
11	11	Line 3
12	12	Switch GND
13	13	Auxiliary line 3
14	14	Switch

Shorted

Unit: cm

Part Number	CL No.	L	RoHS
DX40LM-14PP-150CV(50)	230-5260-7-50	150	YES
DX40LM-14PP-300CV(50)	230-5268-9-50	300	



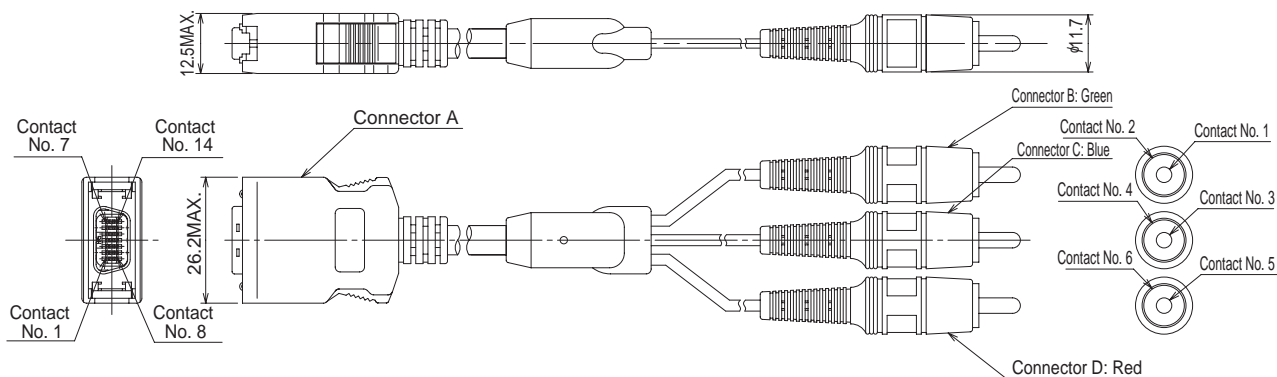
Wiring Table

Connector A Contact No.	Connector B: Green Contact No.	Connector C: Blue Contact No.	Connector D: Red Contact No.	Pin assignment
1	1	—	—	Y
2	2	—	—	Y-GND
3	—	3	—	Pb
4	—	4	—	Pb-GND
5	—	—	5	Pr
6	—	—	6	Pr-GND
7	—	—	—	—
8	—	—	—	—
9	—	—	—	—
10	—	—	—	—
11	—	—	—	—
12	—	—	—	—
13	—	—	—	—
14	—	—	—	—

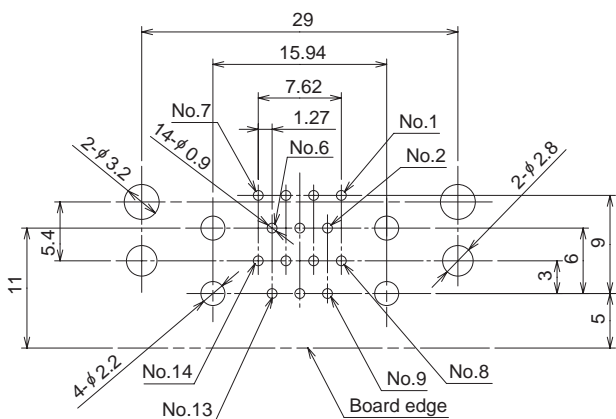
Shorted

Unit: cm

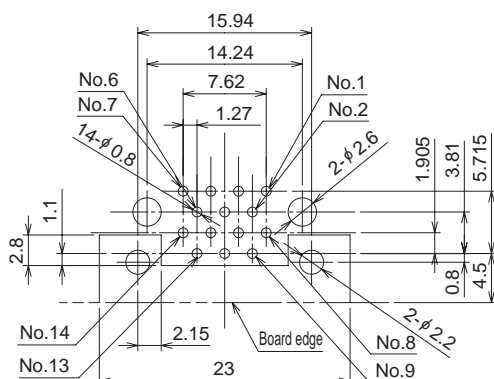
Part Number	CL No.	L	RoHS
DX40LM-14P-150CV(50)	230-5261-0-50	150	YES
DX40LM-14P-300CV(50)	230-5269-1-50	300	



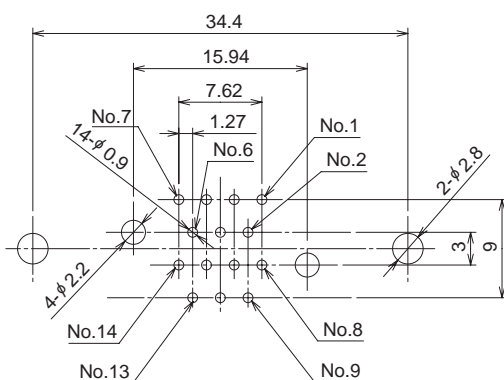
### ◆ Board Mounting Pattern



DX10LM-14SE(50)

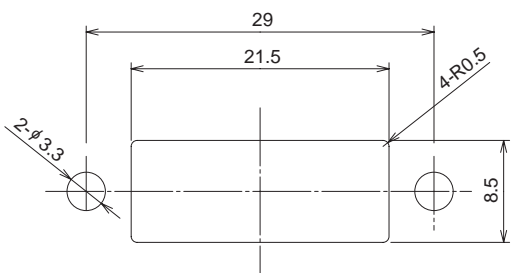


DX10LM1-14SE(50)  
 DX10LM2-14SE(50)

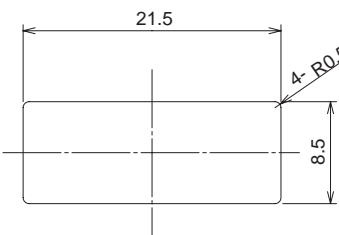


DX20LM-14SE(50)

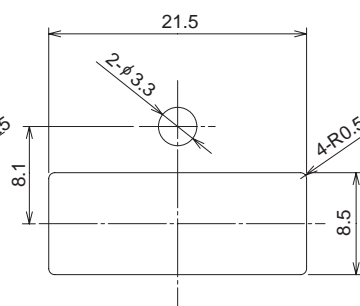
### ◆ Panel Cutout (Panel thickness 3 mm Max.)



DX10LM-14SE(50)  
 DX20LM-14SE(50)



DX10LM1-14SE(50)



DX10LM2-14SE(50)

Note: Use screw M3 x 10 ( class 1 or 2).  
 Panel screw fastening torque:  
 For assemblies DX10LM-14SE(50), DX20LM-14SE(50) and DX10LM1-14SE: 0.5 to 0.7 N·m.  
 For assembly DX10LM2-14SE(50): 0.6 to 0.8 N·m.