

## 阅读申明

- 1.本站收集的数据手册和产品资料都来自互联网，版权归原作者所有。如读者和版权方有任何异议请及时告之，我们将妥善解决。
- 2.本站提供的中文数据手册是英文数据手册的中文翻译，其目的是协助用户阅读，该译文无法自动跟随原稿更新，同时也可能存在翻译上的不当。建议读者以英文原稿为参考以便获得更精准的信息。
- 3.本站提供的产品资料，来自厂商的技术支持或者使用者的心得体会等，其内容可能存在描述上的差异，建议读者做出适当判断。
- 4.如需与我们联系，请发邮件到marketing@iczoom.com，主题请标有“数据手册”字样。

## Read Statement

1. The datasheets and other product information on the site are all from network reference or other public materials, and the copyright belongs to the original author and original published source. If readers and copyright owners have any objections, please contact us and we will deal with it in a timely manner.
2. The Chinese datasheets provided on the website is a Chinese translation of the English datasheets. Its purpose is for reader's learning exchange only and do not involve commercial purposes. The translation cannot be automatically updated with the original manuscript, and there may also be improper translations. Readers are advised to use the English manuscript as a reference for more accurate information.
3. All product information provided on the website refer to solutions from manufacturers' technical support or users the contents may have differences in description, and readers are advised to take the original article as the standard.
4. If you have any questions, please contact us at marketing@iczoom.com and mark the subject with "Datasheets" .

# RJF RB

## Ethernet Connection System for Harsh Environment – Industrial Ethernet

### Description

RJ Field allows you to use an Ethernet Class D / Cat. 5e and Class E/Cat 6 connection for 10 BaseT, 100 BaseTX or 1000 BaseT networks in harsh environments:

- Sealed against fluids and dusts (IP67)
- Shock, Vibration and Traction resistant
- No cabling operation in field and no tools required

With the patented RJStop® system you can use a **standard RJ45 cordset** in a protective composite plug which will protect it from shocks, dust and fluids.

No hazardous in-field cabling and grounding !



Transform your RJ45 cordset into a **circular reverse bayonet IP67 Connector !**

This RJF RB plug is connected into a receptacle, using a **quick reverse bayonet** coupling mechanism.

On the receptacle, one female RJ45 is soldered onto a PCB allowing for the following back terminations :

- another female RJ45
- a right angle female RJ45
- a RJ45 cordset
- a cat 6 IDC modules (will be available end april 2006)
- a straight PCB termination (will be available end Q1 2006)

The RJ45 cordset shielding is transmitted to the RJ45 receptacle through lateral grounding fingers.

**Amphenol Socapex** Promenade de l'Arve – BP 29 – 74311 THYEZ - F  
Tel. : + 33 (0) 4 50 89 28 00 - Fax : + 33 (0) 4 50 96 29 75  
<http://www.rjfield.com>



*Electronica 2004 :  
RJF Field awarded « Component  
Product of the Year »*

### Applications

- Telecom Equipments
- Video Control
- Robotics
- Industrial Process Control
- CNC Machines
- Special Machines
- Motion Control
- Tele-maintenance

**Amphenol**®

DOC-000063-ANG-A Dec 2005



# Main Characteristics

## Data Transmission

- 10 BaseT, 100 BaseTX and 1000 BaseT networks
- Cat 5e per TIA/EIA 568B and ClassD per ISO/IEC 11801
- or Cat6 per TIA/EIA 568B and ClassE per ISO/IEC 11801

## Mechanical

- Reverse bayonet coupling
- RJ45 cordset retention in the plug : 70 N in the axis
- Mating cycles : 500 min

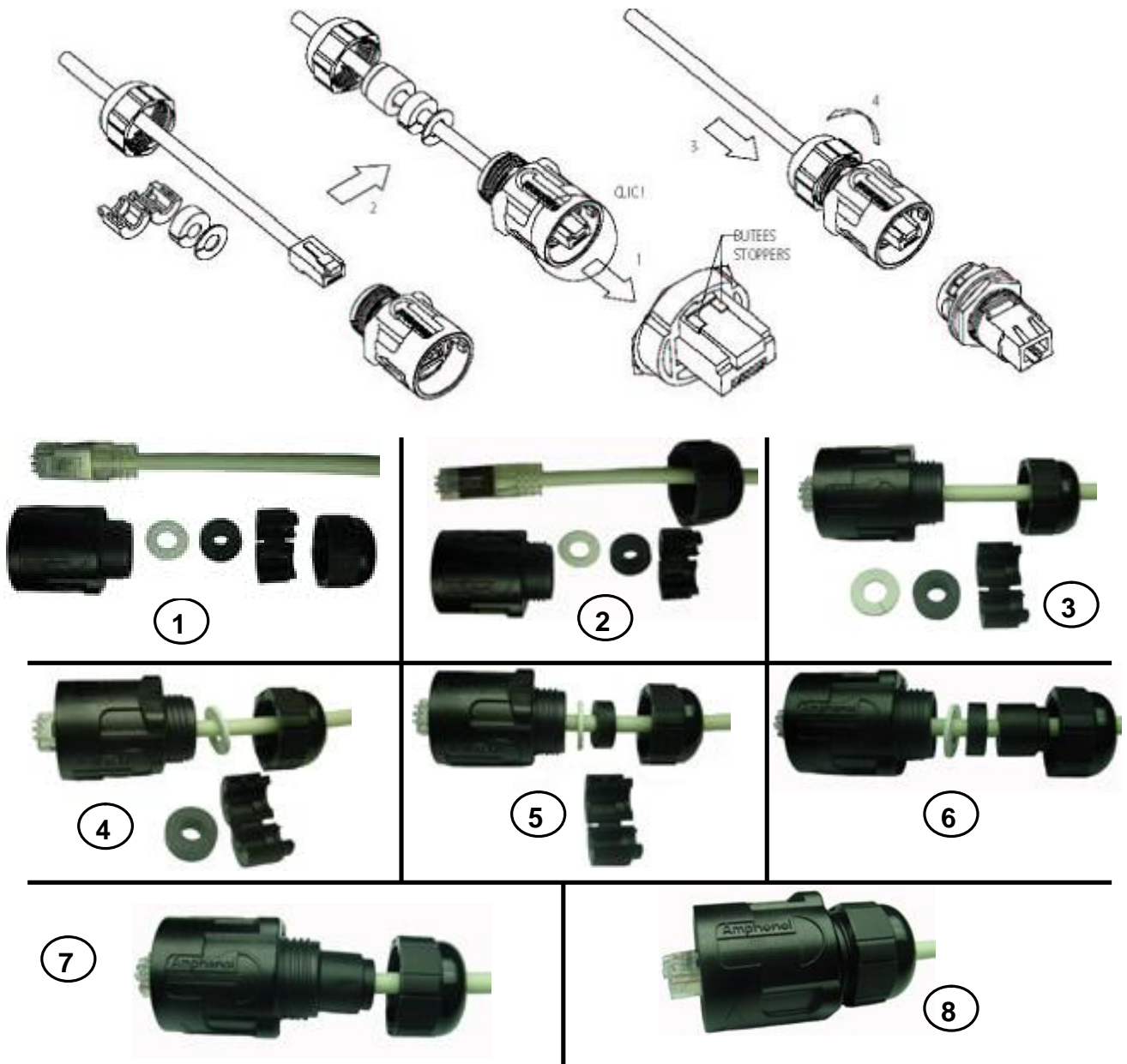
## Environmental Protection

- Sealing : IP67
- Salt Spray > 1000 h
- Fire Retardant / Low Smoke : UL94 V0 and NFF 16102, DIN 5510-2
- Thermal Shock : 5 cycles at - 40°C / +100°C
- Operating Temperature : - 40°C / +85°C

## Assembly Instructions

**Universal : Can be used with all standard \* RJ45 Cat.5e cordset brands**

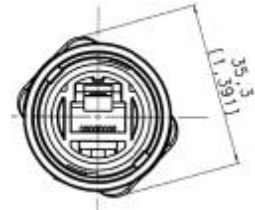
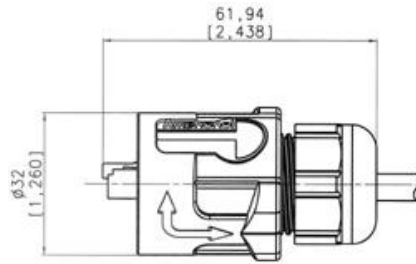
**Easy and Safe : No field cabling tools required**



\* The RJStop system allows the use of standard RJ45 cordsets whatever the Brand.

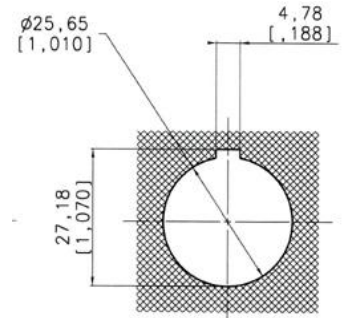
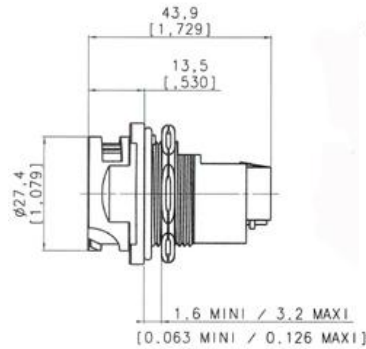


## Plug Type 6 Shell with Plastic Gland



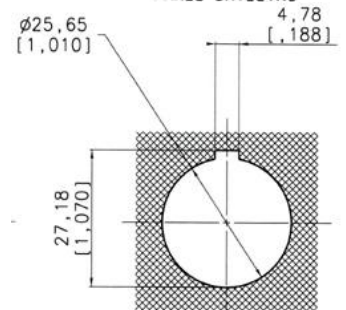
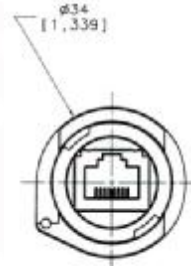
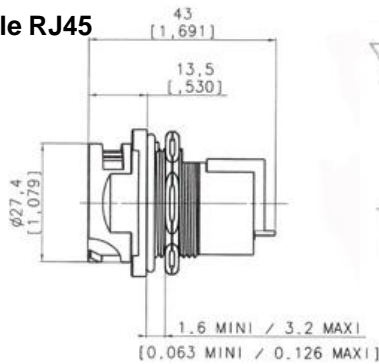
## Receptacle

Type 1 : Female RJ45



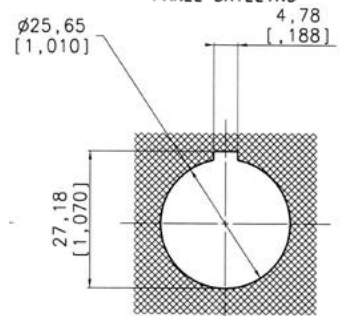
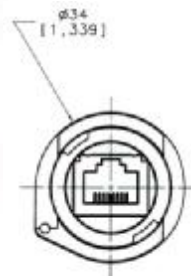
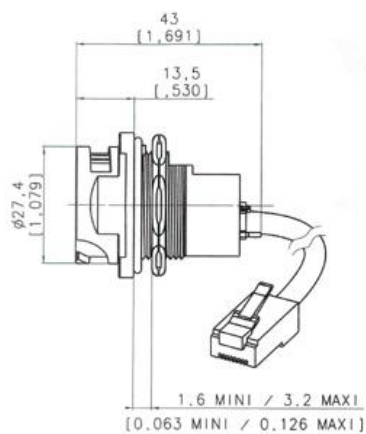
PERCAGE PANNEAU  
PANEL DRILLING

Type 1RA : Right Angle Female RJ45



PERCAGE PANNEAU  
PANEL DRILLING

Type 2 : RJ45 Cordset



PERCAGE PANNEAU  
PANEL DRILLING

Type 3 : IDC Cat6 termination (will be available april 2006)



Product dimensions  
to come soon



# Part Number Code

HOW TO ORDER

Series	RJFRB	7	1RA	03	100 BTX
RJFRB					
<b>Shell Type</b>					
6 : Composite reverse bayonet Plug, Plastic Gland					
7 : Composite jam nut Receptacle					
<b>Back Terminations (For Receptacles only)</b>					
1 : Female RJ45					
1RA : Right angle female RJ45					
2 : RJ45 Cordset					
3U : IDC cat6 - unshielded (available Q2 2006)					
3F : IDC cat6 - partial shielding (available Q2 2006)					
3S : IDC cat6 - 100% shielded (available Q2 2006)					
<b>Cordset Length (For Receptacles with "2" Back Termination only)</b>					
03 : 0.3 meters [11.81 inches]					
05 : 0.5 meters [19.68 inches]					
10 : 1 meter [39.37 inches]					
15 : 1.5 meters [59.05 inches]					
<b>Cabling Configuration (For "7" Receptacles only)</b>					
100BTX : 10/100 Base TX (568B)					
568A					

- Examples :
- Plug: RJF RB 6
  - Receptacle, female RJ45 Back termination: RJF RB 71
  - Receptacle, right angle female RJ45 Back termination: RJF RB 71RA
  - Receptacle, 1,5m [59.05"] RJ45 cordset termination: RJF RB 72 15 100BTX

## Other receptacle type :



Product dimensions  
to come soon

**Straight PCB termination :**  
Part number : **RJF RB 75**

**Important note:**  
The customer PCB design will define the receptacle category.

Remark : This receptacle type will be available end of Q1 2006

## Accessories

- IP67 Dust Caps

Cap picture  
not available.  
To come soon

Product dimensions  
to come soon

**Cap for Receptacles :**  
**RJF RB C7**

Remark : **not available for plug**



We also offer Cat5e cordsets with a reinforced jacket to be used in harsh environments (shocks, oils, fuel,...) – double shielding - Please consult our website to download our dedicated datasheet.