

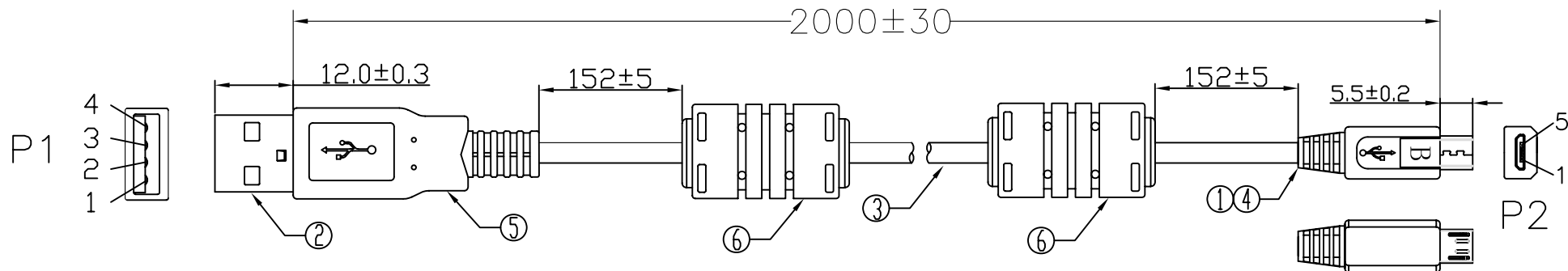
阅读申明

- 1.本站收集的数据手册和产品资料都来自互联网，版权归原作者所有。如读者和版权方有任何异议请及时告之，我们将妥善解决。
- 2.本站提供的中文数据手册是英文数据手册的中文翻译，其目的是协助用户阅读，该译文无法自动跟随原稿更新，同时也可能存在翻译上的不当。建议读者以英文原稿为参考以便获得更精准的信息。
- 3.本站提供的产品资料，来自厂商的技术支持或者使用者的心得体会等，其内容可能存在描述上的差异，建议读者做出适当判断。
- 4.如需与我们联系，请发邮件到marketing@iczoom.com，主题请标有“数据手册”字样。

Read Statement

1. The datasheets and other product information on the site are all from network reference or other public materials, and the copyright belongs to the original author and original published source. If readers and copyright owners have any objections, please contact us and we will deal with it in a timely manner.
2. The Chinese datasheets provided on the website is a Chinese translation of the English datasheets. Its purpose is for reader's learning exchange only and do not involve commercial purposes. The translation cannot be automatically updated with the original manuscript, and there may also be improper translations. Readers are advised to use the English manuscript as a reference for more accurate information.
3. All product information provided on the website refer to solutions from manufacturers' technical support or users the contents may have differences in description, and readers are advised to take the original article as the standard.
4. If you have any questions, please contact us at marketing@iczoom.com and mark the subject with "Datasheets" .

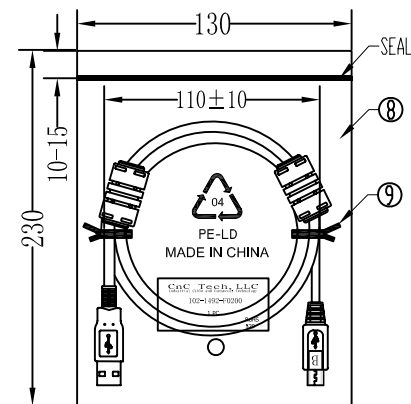
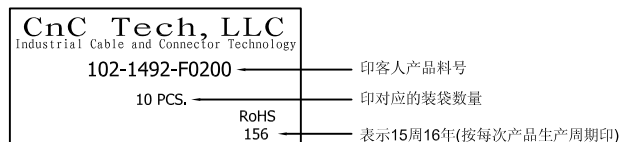
UNIT:mm



PIN ASSIGNMENT		
P1		P2
1	红色	1
2	白色	2
3	绿色	3
4	黑色	5
铁壳	地线+编织	铁壳

Electrical test:
 1.100% short,open,miswire test
 2.Conduct resistance:5 Ohm(max)
 3.Insulation resistance:10Mohm(min)
 4.dielectric test:DC 300V

NOTE:
 1.小PE袋/大PE袋对应料号.包袋数量及时间印刷样式:



1PCS/PE BAG

NO.	NAME	Q'TY	SPECIFICATION
⑩	扎带	2	黑色 L=80mm
⑪	大PE袋	1/10	透明PE袋大小尺寸: 280*330*0.05mm 印刷黑色"MADE IN CHINA"+"10PCS"及印生产周期,有透气孔.
⑨	小PE袋	1	透明PE袋: 130*230*0.05mm 印刷黑色"MADE IN CHINA"+"1PC"及印生产周期,有透气孔.
⑧	外模	15g	黑色 45P PVC (MOLD NO: CH003)
⑦	铁粉芯	2	铁粉芯 OD12*5.6*L20
⑥	外模	5g	黑色 PVC-45P (MOULD NO:WM-40)
⑤	内模	0.35g	透明LD-PE (MOULD NO: NM-86)
④	外模	4.5g	黑色 PVC-45P (MOULD NO: WM-116)
③	线材	1	USB2.0 UL2725 (28AWG*1P+24AWG*2C)+AEB(48B ALMG) L=2000±10MM 外被: 黑色 OD:4.5mm
②	接头	1set	USB A公刺破式 一体式长铁壳镀镍 中线夹,铁壳厚度0.3白胶芯白后盖,0.9*1.1端子青铜镀金
①	接头	1	MICRO USB 5P B公 PIN G/F 外壳镀镍 黑胶芯

CnC Tech, LLC
 Industrial Cable and Connector Technology

DRAWN BY	LYNDON	DRAWING NO	VG/LJQ-094-XXX
CHECKED BY		CUSTOMER	CNC
APPROVAL BY		ITEM NO.	102-1492-F0200
DECIDED BY		DATE	2016-04-21
VERSIONS/EDITEON	A/0	PROJECTION	