

阅读申明

- 1.本站收集的数据手册和产品资料都来自互联网，版权归原作者所有。如读者和版权方有任何异议请及时告之，我们将妥善解决。
- 2.本站提供的中文数据手册是英文数据手册的中文翻译，其目的是协助用户阅读，该译文无法自动跟随原稿更新，同时也可能存在翻译上的不当。建议读者以英文原稿为参考以便获得更精准的信息。
- 3.本站提供的产品资料，来自厂商的技术支持或者使用者的心得体会等，其内容可能存在描述上的差异，建议读者做出适当判断。
- 4.如需与我们联系，请发邮件到marketing@iczoom.com，主题请标有“数据手册”字样。

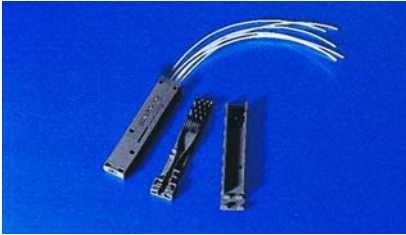
Read Statement

1. The datasheets and other product information on the site are all from network reference or other public materials, and the copyright belongs to the original author and original published source. If readers and copyright owners have any objections, please contact us and we will deal with it in a timely manner.
2. The Chinese datasheets provided on the website is a Chinese translation of the English datasheets. Its purpose is for reader's learning exchange only and do not involve commercial purposes. The translation cannot be automatically updated with the original manuscript, and there may also be improper translations. Readers are advised to use the English manuscript as a reference for more accurate information.
3. All product information provided on the website refer to solutions from manufacturers' technical support or users the contents may have differences in description, and readers are advised to take the original article as the standard.
4. If you have any questions, please contact us at marketing@iczoom.com and mark the subject with "Datasheets" .

FIBER MANAGEMENT

OFFM

Optical Fiber Flat Manifold



Features

- Maximum of 12 fibers
- Ability to stack
- Fiber threading guide system in lid
- Can be terminated to OFBLT protective tubing (see page 202) or standard cable element tubing.
- Silicone sleeve is provided to give added grip to cope with variations in element tube diameters
- A range of flanged termination crimp kits (OFTK Series) are available to give a strong, mechanical anchorage for common size element/blown fiber tubing and OFBLT, contact your local Richco office for further information

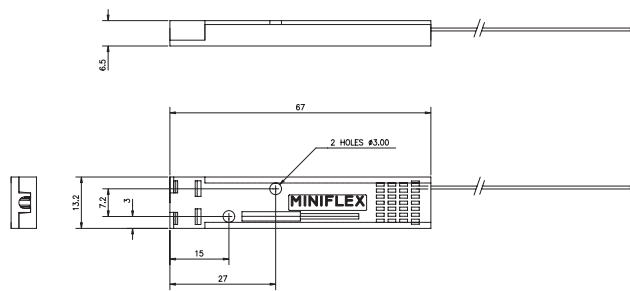
Description

The Optical Fiber Flat Manifold has the ability to breakout and protect primary fiber from cable element tubing, ribbon fiber or a blown fiber unit. The input fiber tube is secured by a clamping system molded into the product. Each output fiber is protected in a 900 µm PTFE tube, also secured by a molded detail. Threading the fiber is achieved by the effective guide provided in the snap-on lid. Assembly of the manifold is made easy by a simple “lay-through” design, which prevents fiber kinking or breakage.

Installing fiber is easy, clean, neat and extremely compact while still controlling all bend radii. Mounts with the self-adhesive pad provided or by the integral screw holes, which give the ability to stack.

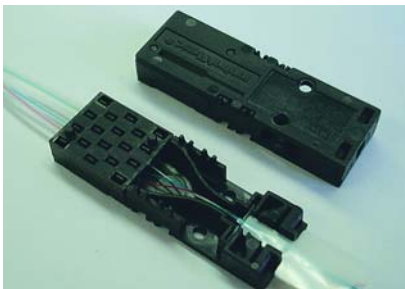
Miniflex Technology manufactured by Richco - Patented	
Material: Glass-filled PBT UL94 V0; Color: Charcoal Gray	
Standard Pack: 10 per bag	
Part No.	Supplied With
OFFM-4-1	Manifold and 4 PTFE tubes, 1 meter long each
OFFM-6-1	Manifold and 6 PTFE tubes, 1 meter long each
OFFM-8-1	Manifold and 8 PTFE tubes, 1 meter long each
OFFM-8-2	Manifold and 8 PTFE tubes, 2 meters long each
OFFM-1-12	Bag of 10 manifolds and 1 PTFE coil 120 meters long

Material: PTFE UL94 V0; Color: Natural
Standard Pack: 120 meter coil per bag
PTFE-1-120-NAT
Other colors are available by special order.



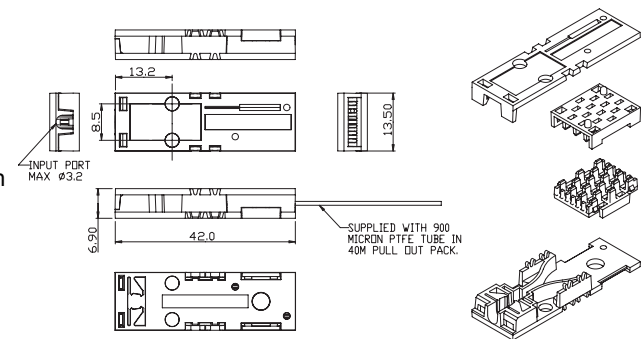
OFFM-MK2

Optical Fiber Flat Manifold



Features

- Maximum of 12 fibers
- Ability to stack
- Fiber threading guide system in lid
- Can be terminated to OFBLT protective tubing (see page 202) or standard cable element tubing.
- Silicone sleeve is provided to give added grip to cope with variations in element tube diameters
- A range of flanged termination crimp kits (OFTK Series) are available to give a strong, mechanical anchorage for common size element/blown fiber tubing and OFBLT, contact your local Richco office for details
- Enables pre-assembly of PTFE tubes in complete pack, and alternative method of fiber feed/assembly
- Supplied with adhesive ribbon fiber adapter to accept ribbon fiber
- Molded detail that secures 900 micron PTFE tubing is separate from body and cover for ease of handling



Miniflex Technology manufactured by Richco	
Material: 6% Glass Reinforced PBT UL94V0; Color: Charcoal Gray	
Standard Pack: 10 per bag	
Part Number	Supplied With
OFFM-MK2-10-40 Gray	900 Micron PTFE tube in 40M pull out pack
All dimensions in millimeters	

Material: PTFE UL94 V0; Color: Natural
Standard Pack: 120 meter coil per bag
PTFE-1-120-NAT
Other colors are available by special order.