

阅读申明

- 1.本站收集的数据手册和产品资料都来自互联网，版权归原作者所有。如读者和版权方有任何异议请及时告之，我们将妥善解决。
- 2.本站提供的中文数据手册是英文数据手册的中文翻译，其目的是协助用户阅读，该译文无法自动跟随原稿更新，同时也可能存在翻译上的不当。建议读者以英文原稿为参考以便获得更精准的信息。
- 3.本站提供的产品资料，来自厂商的技术支持或者使用者的心得体会等，其内容可能存在描述上的差异，建议读者做出适当判断。
- 4.如需与我们联系，请发邮件到marketing@iczoom.com，主题请标有“数据手册”字样。

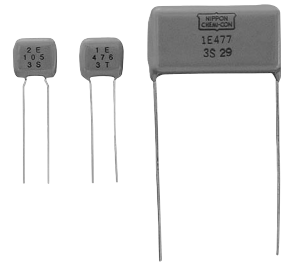
Read Statement

1. The datasheets and other product information on the site are all from network reference or other public materials, and the copyright belongs to the original author and original published source. If readers and copyright owners have any objections, please contact us and we will deal with it in a timely manner.
2. The Chinese datasheets provided on the website is a Chinese translation of the English datasheets. Its purpose is for reader's learning exchange only and do not involve commercial purposes. The translation cannot be automatically updated with the original manuscript, and there may also be improper translations. Readers are advised to use the English manuscript as a reference for more accurate information.
3. All product information provided on the website refer to solutions from manufacturers' technical support or users the contents may have differences in description, and readers are advised to take the original article as the standard.
4. If you have any questions, please contact us at marketing@iczoom.com and mark the subject with "Datasheets" .



DIPPED RADIAL LEAD MULTILAYER CERAMIC CAPACITORS

THD Series



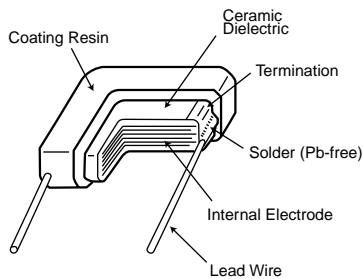
◆FEATURES

1. Small size and large capacitance, high ripple current.
2. Temperature characteristic is Y5U in EIA code.
3. Superior humidity characteristic and long life.
4. Excellent noise absorption.
5. Resin(UL94 V-0) used for coating.

◆APPLICATIONS

1. Automotive equipments.
2. Smoothing circuit of switching mode AC-DC or DC-DC converter.
3. Noise suppressor for various kinds of equipments.
4. By-pass or decoupling circuits.

◆CONSTRUCTION



◆RATINGS

| | |
|--------------------------------|----------------------------------|
| 1. Category Temperature Range | -55 to +125°C |
| 2. Rated Voltage Range | 25, 50, 100, 250 V _{dc} |
| 3. Rated Capacitance Range | 0.1 to 470μF |
| 4. Rated Capacitance Tolerance | M(±20%), Z(±20%) |
| 5. Temperature Characteristics | E(JIS) ≒ Y5U(EIA) |
| 6. Rated Ripple Current | See No.5 on the following table |

◆SPECIFICATIONS

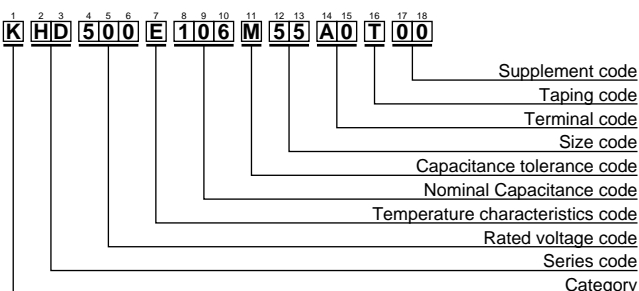
| No. | Items | | Specification | Test Condition |
|-----|-----------------------|----------------------------|--|--|
| 1 | Withstand Voltage | Between Terminals | No abnormality. | 250% of rated voltage shall be applied for 5 seconds. |
| | | Terminals to Coating Resin | | |
| 2 | Insulation Resistance | | 1000/C _R (MΩ) or 10000(MΩ) whichever is less. | Rated voltage shall be applied for 60±5 seconds at temperature 20±2°C. |
| 3 | Rated Capacitance | | Within specified tolerance. | Temperature : 20±2°C Frequency : 1±0.1kHz(≥100μF, 120Hz) Voltage : 1±0.2V _{rms} |
| 4 | Dissipation Factor | | 5.0% maximum. | Temperature : 20±2°C Frequency : 1±0.1kHz(≥100μF, 120Hz) Voltage : 1±0.2V _{rms} |

◆SPECIFICATIONS

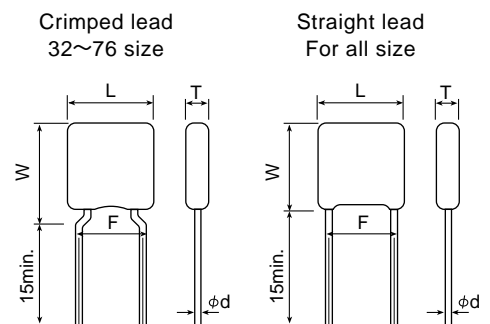
| No. | Items | Specification | Test Condition | | | | | | | | | | | | | | | | | | |
|--------------------|------------------------------|---|--|------------------|------------------|----------|--------------------|------------------------------|---------|-----------------|------------------|--------|------------------|------------------------------|------|----------|------------------|--------|--|---|------|
| 5 | Rated Ripple Current | <table border="1"> <tr> <td>Size code</td> <td>32</td> <td>43</td> <td>55</td> <td>76</td> <td>80</td> <td>90</td> <td>99</td> </tr> <tr> <td>Arms</td> <td>0.3</td> <td>0.8</td> <td>1.0</td> <td>1.5</td> <td>2.0</td> <td>3.0</td> <td>4.0</td> </tr> </table> | Size code | 32 | 43 | 55 | 76 | 80 | 90 | 99 | Arms | 0.3 | 0.8 | 1.0 | 1.5 | 2.0 | 3.0 | 4.0 | 10kHz to 1MHz (sine curve) Ripple voltage V_p shall be less than the rated voltage. | | |
| Size code | 32 | 43 | 55 | 76 | 80 | 90 | 99 | | | | | | | | | | | | | | |
| Arms | 0.3 | 0.8 | 1.0 | 1.5 | 2.0 | 3.0 | 4.0 | | | | | | | | | | | | | | |
| 6 | Robustness of Terminations | No visible damage. | The force applied shall be : <table border="1"> <tr> <td>Lead ϕ (mm)</td> <td>Tensile(N)</td> <td>(sec.)</td> </tr> <tr> <td>0.5 max.</td> <td>5</td> <td>10±1</td> </tr> <tr> <td>0.6 to 0.8 max.</td> <td>10</td> <td>10±1</td> </tr> </table> <table border="1"> <tr> <td>Lead ϕ (mm)</td> <td>Bending(N)</td> <td>(kg)</td> </tr> <tr> <td>0.5 max.</td> <td>2.5</td> <td>0.25</td> </tr> <tr> <td>0.6 to 0.8 max.</td> <td>5</td> <td>0.51</td> </tr> </table> Time : 2times. | Lead ϕ (mm) | Tensile(N) | (sec.) | 0.5 max. | 5 | 10±1 | 0.6 to 0.8 max. | 10 | 10±1 | Lead ϕ (mm) | Bending(N) | (kg) | 0.5 max. | 2.5 | 0.25 | 0.6 to 0.8 max. | 5 | 0.51 |
| Lead ϕ (mm) | Tensile(N) | (sec.) | | | | | | | | | | | | | | | | | | | |
| 0.5 max. | 5 | 10±1 | | | | | | | | | | | | | | | | | | | |
| 0.6 to 0.8 max. | 10 | 10±1 | | | | | | | | | | | | | | | | | | | |
| Lead ϕ (mm) | Bending(N) | (kg) | | | | | | | | | | | | | | | | | | | |
| 0.5 max. | 2.5 | 0.25 | | | | | | | | | | | | | | | | | | | |
| 0.6 to 0.8 max. | 5 | 0.51 | | | | | | | | | | | | | | | | | | | |
| 7 | Vibration | Appearance : No abnormality. Capacitance : To meet the initial specification. D.F. : To meet the initial specifications. | Amplitude : 1.5mm Frequency range : 10-55-10Hz (1 min) Direction and time : 2 hours each to X, Y, Z axis. Total 6 hours. | | | | | | | | | | | | | | | | | | |
| 8 | Solderability | Min. 75% of surface of the termination shall be covered with new solder. | <table border="1"> <tr> <td>Solder</td> <td>Pb Free</td> <td>Eutectic</td> </tr> <tr> <td>Solder Temperature</td> <td>245±5°C</td> <td>235±5°C</td> </tr> <tr> <td>Dipping Time</td> <td colspan="2">2±0.5sec.</td> </tr> </table> | Solder | Pb Free | Eutectic | Solder Temperature | 245±5°C | 235±5°C | Dipping Time | 2±0.5sec. | | | | | | | | | | |
| Solder | Pb Free | Eutectic | | | | | | | | | | | | | | | | | | | |
| Solder Temperature | 245±5°C | 235±5°C | | | | | | | | | | | | | | | | | | | |
| Dipping Time | 2±0.5sec. | | | | | | | | | | | | | | | | | | | | |
| 9 | Resistance to Soldering Heat | Appearance : No abnormality. $\Delta C/C$: ±15% D.F. : Satisfy the initial spec. | Solder Temperature : 350±10°C Dipping Time : 3±0.5 sec. Depth : 1.5 to 2mm | | | | | | | | | | | | | | | | | | |
| 10 | Temperature Cycle | Appearance : No abnormality. $\Delta C/C$: ±15% D.F. : To meet the initial specification I.R. : To meet the initial specification | <table border="1"> <tr> <th>Step</th> <th>Temperature (°C)</th> <th>(min.)</th> </tr> <tr> <td>1</td> <td>Min. Category temperature ±3</td> <td>30±3</td> </tr> <tr> <td>2</td> <td>Room temperature</td> <td>3 max.</td> </tr> <tr> <td>3</td> <td>Max. Category temperature ±3</td> <td>30±3</td> </tr> <tr> <td>4</td> <td>Room temperature</td> <td>3 max.</td> </tr> </table> For 5 cycles for above temperature cycle. | Step | Temperature (°C) | (min.) | 1 | Min. Category temperature ±3 | 30±3 | 2 | Room temperature | 3 max. | 3 | Max. Category temperature ±3 | 30±3 | 4 | Room temperature | 3 max. | | | |
| Step | Temperature (°C) | (min.) | | | | | | | | | | | | | | | | | | | |
| 1 | Min. Category temperature ±3 | 30±3 | | | | | | | | | | | | | | | | | | | |
| 2 | Room temperature | 3 max. | | | | | | | | | | | | | | | | | | | |
| 3 | Max. Category temperature ±3 | 30±3 | | | | | | | | | | | | | | | | | | | |
| 4 | Room temperature | 3 max. | | | | | | | | | | | | | | | | | | | |
| 11 | Humidity Load Life | Appearance : No abnormality. $\Delta C/C$: ±20% D.F. : 7% maximum I.R. : 50/ C_R (M Ω) or 1000(M Ω) whichever is less. | Temperature : 40±2°C Humidity : 90 to 95%RH Voltage : Rated voltage Time : 500± ²⁴ ₀ hours | | | | | | | | | | | | | | | | | | |
| 12 | Endurance | Appearance : No abnormality. $\Delta C/C$: ±20% D.F. : 7% maximum I.R. : 100/ C_R (M Ω) or 1000(M Ω) whichever is less. | Temperature : 85±2°C Voltage : 200% of rated voltage. Time : 1000± ⁴⁸ ₀ hours Temperature : 125±3°C Voltage : Rated voltage Time : 1000± ⁴⁸ ₀ hours | | | | | | | | | | | | | | | | | | |

* C_R : Rated Capacitance(μ F)

◆PART NUMBERING SYSTEM



◆DIMENSIONS





DIPPED RADIAL LEAD MULTILAYER CERAMIC CAPACITORS

THD Series

◆THD SERIES STANDARD RATINGS

| Rated voltage (Vdc) | Rated Capacitance (μF) | Dimensions (mm) | | | | | Maximum ripple current (Arms) | Part Number | Previous Part Number (Just for your reference) |
|---------------------|------------------------|-----------------|-------|-------|--------------------|---------|-------------------------------|--------------------|--|
| | | Lmax. | Wmax. | Tmax. | F±0.8 | φd±0.05 | | | |
| 25 | 3.3 | 5.0 | 6.5 | 3.0 | 5.0 | 0.5 | 0.3 | KHD250E335M32A0T00 | THD21E1E335MT |
| | 4.7 | | | 3.5 | | | | KHD250E475M32A0T00 | THD21E1E475MT |
| | 6.8 | 6.5 | 7.0 | 3.5 | 5.0 | 0.5 | 0.8 | KHD250E685M43A0T00 | THD30E1E685MT |
| | 10 | | | 4.0 | | | | KHD250E106M43A0T00 | THD30E1E106MT |
| | 15 | | | 4.0 | | | | KHD250E156M43A0T00 | THD30E1E156MT |
| | 22 | 7.5 | 9.0 | 4.0 | 5.0 | 0.5 | 1.0 | KHD250E226M55A0T00 | THD31E1E226MT |
| | 33 | | | 4.5 | | | | KHD250E336M55A0T00 | THD31E1E336MT |
| | 47 | 13.5 | 15.0 | 4.5 | 10.0 | 0.6 | 2.0 | KHD250E476M76A0T00 | THD41E1E476MT |
| | 68 | | | 5.0 | | | | KHD250E686M80A0B00 | THD51E1E686M |
| | 100 | 22.5 | 20.0 | 5.5 | 20.0 | 0.8 | 3.0 | KHD250E107M80A0B00 | THD51E1E107M |
| | 150 | | | 6.0 | | | | KHD250E157M90C0B00 | THD60E1E157M |
| | 220 | 28.5 | 20.0 | 6.0 | 25.0 | 0.8 | 4.0 | KHD250E227M90C0B00 | THD60E1E227M |
| | 330 | | | 7.5 | | | | KHD250E337M99C0B00 | THD61E1E337M |
| | 470 | | | 7.5 | | | | KHD250E477M99C0B00 | THD61E1E477M |
| 50 | 1.0 | 5.0 | 6.5 | 3.0 | 5.0 | 0.5 | 0.3 | KHD500E105M32A0T00 | THD21E1H105MT |
| | 1.5 | | | 3.5 | | | | KHD500E155M32A0T00 | THD21E1H155MT |
| | 2.2 | | | 3.5 | | | | KHD500E225M32A0T00 | THD21E1H225MT |
| | 3.3 | 6.5 | 7.0 | 3.5 | 5.0 | 0.5 | 0.8 | KHD500E335M43A0T00 | THD30E1H335MT |
| | 4.7 | | | 4.0 | | | | KHD500E475M43A0T00 | THD30E1H475MT |
| | 6.8 | 7.5 | 9.0 | 4.0 | 5.0 | 0.5 | 1.0 | KHD500E685M55A0T00 | THD31E1H685MT |
| | 10 | | | 4.5 | | | | KHD500E106M55A0T00 | THD31E1H106MT |
| | 15 | | | 4.5 | | | | KHD500E156M55A0T00 | THD31E1H156MT |
| | 22 | 10.0 | 11.5 | 4.5 | 10.0 | 0.6 | 1.5 | KHD500E226M76A0T00 | THD41E1H226MT |
| | 33 | | | 5.0 | | | | KHD500E336M80A0B00 | THD51E1H336M |
| | 47 | 13.5 | 15.0 | 5.0 | 20.0 | 0.8 | 3.0 | KHD500E476M90C0B00 | THD60E1H476M |
| | 68 | | | 6.0 | | | | KHD500E686M90C0B00 | THD60E1H686M |
| | 100 | 22.5 | 20.0 | 6.0 | 25.0 | 0.8 | 4.0 | KHD500E107M90C0B00 | THD60E1H107M |
| | 150 | | | 7.5 | | | | KHD500E157M99C0B00 | THD61E1H157M |
| | 220 | | | 7.5 | | | | KHD500E227M99C0B00 | THD61E1H227M |
| | 100 | 0.33 | 5.0 | 6.5 | 3.0 | 5.0 | 0.5 | 0.3 | KHD101E334M32A0T00 |
| 0.47 | | 3.5 | | | KHD101E474M32A0T00 | | | | THD21E2A474MT |
| 0.68 | | 3.5 | | | KHD101E684M32A0T00 | | | | THD21E2A684MT |
| 1.0 | | 6.5 | 7.0 | 3.5 | 5.0 | 0.5 | 0.8 | KHD101E105M43A0T00 | THD30E2A105MT |
| 1.5 | | | | 4.0 | | | | KHD101E155M43A0T00 | THD30E2A155MT |
| 2.2 | | 7.5 | 9.0 | 4.0 | 5.0 | 0.5 | 1.0 | KHD101E225M43A0T00 | THD30E2A225MT |
| 3.3 | | | | 4.5 | | | | KHD101E335M55A0T00 | THD31E2A335MT |
| 4.7 | | | | 4.5 | | | | KHD101E475M55A0T00 | THD31E2A475MT |
| 6.8 | | 10.0 | 11.5 | 4.5 | 10.0 | 0.6 | 2.0 | KHD101E685M76A0T00 | THD41E2A685MT |
| 10 | | | | 5.0 | | | | KHD101E106M80A0B00 | THD51E2A106M |
| 15 | | 13.5 | 15.0 | 5.0 | 20.0 | 0.8 | 3.0 | KHD101E156M80A0B00 | THD51E2A156M |
| 22 | | | | 6.0 | | | | KHD101E226M90C0B00 | THD60E2A226M |
| 33 | | 22.5 | 20.0 | 6.0 | 25.0 | 0.8 | 4.0 | KHD101E336M90C0B00 | THD60E2A336M |
| 47 | | | | 7.5 | | | | KHD101E476M99C0B00 | THD61E2A476M |
| 68 | | 28.5 | 20.0 | 7.5 | 25.0 | 0.8 | 4.0 | KHD101E686M99C0B00 | THD61E2A686M |
| 100 | | | | 7.5 | | | | KHD101E107M99C0B00 | THD61E2A107M |
| 250 | 0.1 | 6.5 | 7.0 | 3.5 | 5.0 | 0.5 | 0.8 | KHD251E104M43A0T00 | THD30E2E104MT |
| | 0.15 | | | 4.0 | | | | KHD251E154M43A0T00 | THD30E2E154MT |
| | 0.22 | | | 4.0 | | | | KHD251E224M43A0T00 | THD30E2E224MT |
| | 0.33 | | | 4.0 | | | | KHD251E334M43A0T00 | THD30E2E334MT |
| | 0.47 | 7.5 | 9.0 | 4.0 | 5.0 | 0.5 | 1.0 | KHD251E474M55A0T00 | THD31E2E474MT |
| | 0.68 | | | 4.5 | | | | KHD251E684M55A0T00 | THD31E2E684MT |
| | 1.0 | 10.0 | 11.5 | 4.5 | 10.0 | 0.6 | 1.5 | KHD251E105M76A0T00 | THD41E2E105MT |
| | 1.5 | | | 5.0 | | | | KHD251E155M76A0T00 | THD41E2E155MT |
| | 2.2 | 13.5 | 15.0 | 5.0 | 20.0 | 0.8 | 3.0 | KHD251E225M80A0B00 | THD51E2E225M |
| | 3.3 | | | 6.0 | | | | KHD251E335M90C0B00 | THD60E2E335M |
| | 4.7 | 22.5 | 20.0 | 6.0 | 25.0 | 0.8 | 4.0 | KHD251E475M90C0B00 | THD60E2E475M |
| | 6.8 | | | 7.5 | | | | KHD251E685M99C0B00 | THD61E2E685M |
| | 10 | 28.5 | 20.0 | 7.5 | 25.0 | 0.8 | 4.0 | KHD251E106M99C0B00 | THD61E2E106M |
| | 15 | | | 7.5 | | | | KHD251E156M99C0B00 | THD61E2E156M |