

## 阅读申明

- 1.本站收集的数据手册和产品资料都来自互联网，版权归原作者所有。如读者和版权方有任何异议请及时告之，我们将妥善解决。
- 2.本站提供的中文数据手册是英文数据手册的中文翻译，其目的是协助用户阅读，该译文无法自动跟随原稿更新，同时也可能存在翻译上的不当。建议读者以英文原稿为参考以便获得更精准的信息。
- 3.本站提供的产品资料，来自厂商的技术支持或者使用者的心得体会等，其内容可能存在描述上的差异，建议读者做出适当判断。
- 4.如需与我们联系，请发邮件到marketing@iczoom.com，主题请标有“数据手册”字样。

## Read Statement

1. The datasheets and other product information on the site are all from network reference or other public materials, and the copyright belongs to the original author and original published source. If readers and copyright owners have any objections, please contact us and we will deal with it in a timely manner.
2. The Chinese datasheets provided on the website is a Chinese translation of the English datasheets. Its purpose is for reader's learning exchange only and do not involve commercial purposes. The translation cannot be automatically updated with the original manuscript, and there may also be improper translations. Readers are advised to use the English manuscript as a reference for more accurate information.
3. All product information provided on the website refer to solutions from manufacturers' technical support or users the contents may have differences in description, and readers are advised to take the original article as the standard.
4. If you have any questions, please contact us at marketing@iczoom.com and mark the subject with "Datasheets" .

# Disc Ceramic Capacitors



## Professional Ceramic Capacitors - Class I, II and III

### MIL-STD-202F

The professional ceramic disc capacitors were specially developed for applications in severe environmental conditions, high humidity, temperature, gas, vapor and solvents.

The capacitors are flame retardant epoxy coated, meeting UL 94-V0 flammability specifications. The capacitors are 100% screened on following electrical parameters:

Capacitance, loss factor, test voltage. After the 100% test, the capacitors are audited on its electrical and mechanical parameters with following AQL:

Electrical parameters: 0.065% level II

Mechanical parameters: 0.65% level II

The capacitors withstand the following reliability essays:

Terminal strength: method 211 – condition A

Resistance to solvents: method 215

Resistance to soldering heat: method 210 – condition B

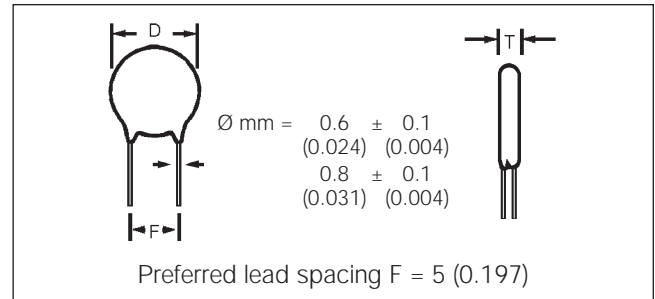
Solderability: method 208

Thermal shock: method 107 – condition A

Humidity (steady state): method 103 – condition D

Life (at elevated ambient temperature): method 108 – condition D

Operating temperature and storage: -55... +125° C



millimeters (inches)

Lead Spacing	Digit 8	
F		
2.5 (0.100)	D	—
5 (0.200)	A	O
6 (0.250)	E	X
7.5 (0.300)	B	R
10 (0.400)	C	W

### DIMENSIONS

millimeters (inches)

Digit 9 (ø)	D ± 2 (0.079)	T max.	Available Lead Spacing
A <sub>1pF... 2.7 pF</sub> NPO	4.0 (0.157)	3.0 (0.118)	A,B,D,E,O,R
A <sub>5.6pF... 8.2 pF</sub> N1500	4.0 (0.157)	3.0 (0.118)	A,B,D,E,O,R
A Others	4.0 (0.157)	3.0 (0.118)	A,B,D,E,O,R
B	5.0 (0.197)	3.0 (0.118)	A,B,D,E,O,R,X
C	6.0 (0.236)	3.0 (0.118)	A,B,C,D,E,O,R,X
D	7.0 (0.276)	3.0 (0.118)	A,B,C,D,E,O,R,X
E	8.0 (0.315)	3.0 (0.118)	A,B,C,D,E,O,R,X
F	9.0 (0.354)	3.0 (0.118)	A,B,C,E,O,R,X
G	10.0 (0.394)	3.0 (0.118)	A,B,C,E,O,R,X
H	11.0 (0.433)	3.0 (0.118)	A,B,C,E,O,R,W
J	13.0 (0.512)	3.5 (0.138)	B,C,R,W
K	15.0 (0.591)	3.5 (0.138)	B,C,R,W
M	19.0 (0.748)	4.0 (0.157)	B,C

(E), (X), (W): upon request

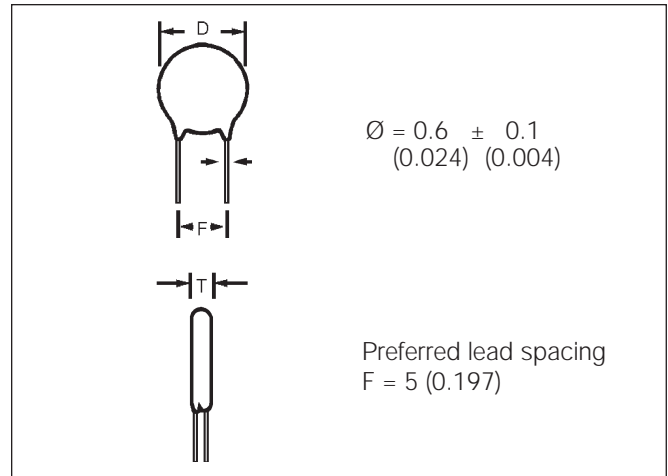
# Disc Ceramic Capacitors



## General Specifications - Class III Professional

### DIELECTRIC - CLASS III

A thin dielectric layer is grown on a disc of conductive ceramic. Very large capacitances can be obtained due to reduced thickness of this barrier layer and its inherently high dielectric constant. Due its small dimensions, they are a less expensive replacement of multilayer ceramic or polyester capacitors.



### DIMENSIONS

millimeters (inches)

Digit 9 of P.N. (ø)	D ± 2 (0.079)	T max.	Available Lead Spacing
A	4.0 (0.157)	3.0 (0.118)	A,B,D,E,O,R
B	5.0 (0.197)	3.0 (0.118)	A,B,D,E,O,R,X
C	6.0 (0.236)	3.0 (0.118)	A,B,C,D,E,O,R,X
D	7.0 (0.276)	3.0 (0.118)	A,B,C,D,E,O,R,X
E	8.0 (0.315)	3.0 (0.118)	A,B,C,D,E,O,R,X
F	9.0 (0.354)	3.0 (0.118)	A,B,C,E,O,R,X
G	10.0 (0.394)	3.0 (0.118)	A,B,C,E,O,R,X
H	11.0 (0.433)	3.0 (0.118)	A,B,C,E,O,R,W
J	13.0 (0.512)	3.5 (0.138)	B,C,R,W
K	15.0 (0.591)	4.0 (0.157)	B,C,R,W

(E), (X), (W): upon request

millimeters (inches)

Lead Spacing	Digit 8 of P.N.	
F		
2.5 (0.100)	D	—
5 (0.200)	A	O
6 (0.250)	E	X
7.5 (0.300)	B	R
10 (0.400)	C	W

### PERFORMANCE CHARACTERISTICS CLASS III

Measured at	1.0 kHz / 0.1 Vrms / 25°C	
Dissipation Factor	$C_R \leq 22 \text{ nF} \rightarrow Y5V, Y5U \leq 7.5\%$ $C_R > 22 \text{ nF} \rightarrow Y5V, Y5P \leq 5.0\%$	
Capacitance Tolerance	Y5P $\rightarrow \pm 20\% / -20 + 50\%$ Y5U $\rightarrow \pm 20\% / -20 + 80\%$ Y5V $\rightarrow \pm 20\% / -20 + 80\%$	
Climatic Category	55 / 085 / 56	
Insulation Resistance @ $V_R$	Y5P	$\geq 12 \text{ M}\Omega$
	Y5U	$4.7 \text{ nF} \dots 100 \text{ nF} \rightarrow \geq 10 \text{ M}\Omega$ $200 \text{ nF} \rightarrow \geq 1 \text{ M}\Omega$
	Y5V	$\geq 100 \text{ M}\Omega$
Dielectric Strength NOTE: Charging current limited to 50 mA	Between leads	$V_t = 1.25 V_R$
	Body insulation	$V_R = 25V \quad V_t = 100V \text{ (DC)}$ $V_R = 50V \quad V_t = 150V \text{ (DC)}$
Operating Temperature Range (°C)	-55... +125 Epoxy Coated	

Note: Damp Heat Steady State: 90... 95% R.H. 40°C / 21 days. No voltage to be applied.

# Disc Ceramic Capacitors

## Dimension Table

### Barrier Layer Capacitors - Class III Professional



#### EPOXY COATED – CAPACITANCE VS. DISC DIAMETER

millimeters (inches)

Class III	$\Delta C/C$ (max.) $\pm 12\%$	Range -30... +85°C	$\Delta C/C$ (max.) +30 -65%	Range -30... +85°C	$\Delta C/C$ (max.) +22 -85%	Range -30... +85°C
Temp. Coefficient	Y5P		Y5U		Y5V	
Digits 1,2,3 of P.N.	6WF	6WH	6YF	6YH	6ZH	
Rated Voltage ( $V_R$ )	25	50	25	50	50	
$C_R$ (pF)						
4,700	4.0 (0.157)	4.0 (0.157)	4.0 (0.157)		4.0 (0.157)	
10,000	6.0 (0.236)	6.0 (0.236)	4.0 (0.157)		4.0 (0.157)	
22,000	7.0 (0.276)	8.0 (0.315)	5.0 (0.197)	6.0 (0.236)	4.0 (0.157)	
33,000	8.0 (0.315)	9.0 (0.354)	6.0 (0.236)	7.0 (0.276)	4.0 (0.157)	
47,000	10.0 (0.394)	11.0 (0.433)	7.0 (0.276)	8.0 (0.315)	4.0 (0.157)	
50,000		—			5.0 (0.197)	
68,000	11.0 (0.433)	13.0 (0.512)			5.0 (0.197)	
100,000	13.0 (0.512)	15.0 (0.591)			7.0 (0.276)	
200,000	—	—	13.0 (0.512)	—	7.0 (0.276)	

Y5U, Y5V - Preferences

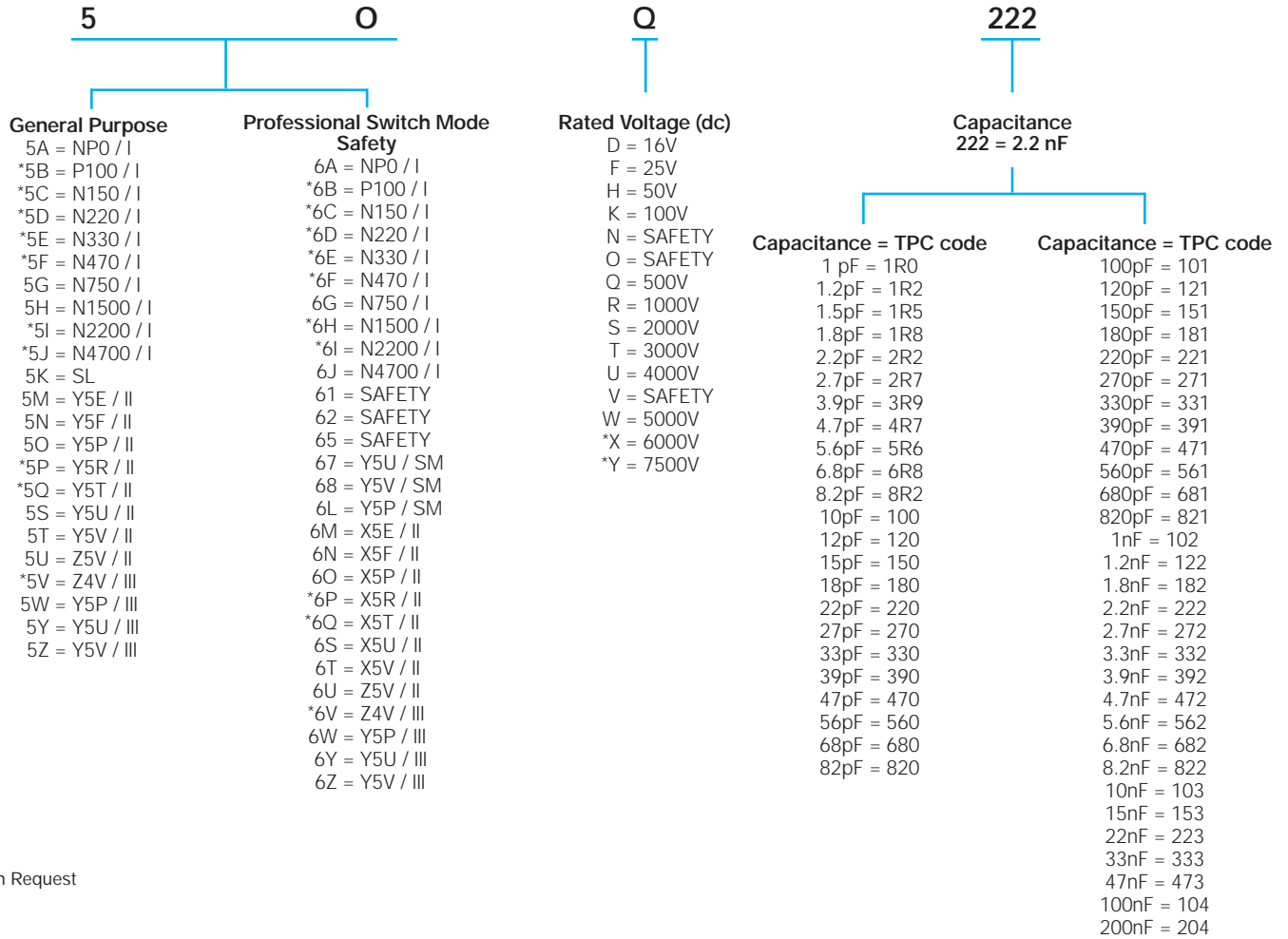
Diameter ( $\phi$ ) = 9th Part Number Digit

# Disc Ceramic Capacitors



## Ordering Code

### HOW TO ORDER



\*Upon Request

# Disc Ceramic Capacitors



## Ordering Code

**M**

**Tolerance**  
 C = ±0.25 pF  
 D = ±0.50 pF  
 J = ±5%  
 K = ±10%  
 M = ±20%  
 S = -20+50%  
 Z = -20+80%  
 P = 0+100%

**A**

**Capacitor Diameter  
 ± 2 (0.079)**

A = 4 (0.157)  
 B = 5 (0.197)  
 C = 6 (0.236)  
 D = 7 (0.276)  
 E = 8 (0.315)  
 F = 9 (0.354)  
 G = 10 (0.394)  
 H = 11 (0.433)  
 J = 13 (0.512)  
 K = 15 (0.591)  
 M\* = 19 (0.748)

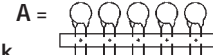
\*Wire 0.8 (0.031) recommended

**A**

**A**

**Packaging**

**Cardboard Strips**



**Bulk**

E = 5 (0.197) ± 1 (0.039) free wire length  
 C = 10 (0.394) ± 1 (0.039) free wire length  
 D = 25 (0.984) ± 1 (0.039) free wire length

**Taping**

**Reel**



Avisert			Panaset		
H	L	L	J	L	L



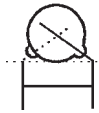
**Ammo Pack**

Avisert			Panaset		
I	M	M	K	M	M

Lead Forming				
mm	inches			
2.5 ±0.5	.1 ± .025	D	-	-
5 <sup>+0.6</sup> <sub>-0.2</sub>	.2 ± .025	A	O	N
6 <sup>+0.6</sup> <sub>-0.2</sub>	.25 ± .025	E	X	-
7.5 <sup>+1</sup> <sub>-0.5</sub>	.3 ± .05	B	R	Q
10 <sup>+0.5</sup> <sub>-1.0</sub>	.4 ± .05	C	W	-
12.5 <sup>+1</sup> <sub>-0.5</sub>	.5 ± .05	P	-	-

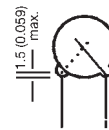
**Finishing**

Diam ≤ 9 (0.354) and  
 F = 5.00 (0.197)



Coating does not surpass the bend

For every other:



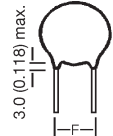
**Low Voltage**

A = Phenolic (General Purpose) Q = Waxed phenolic

S = Epoxy (Professional) cap. diameter ≤ 8 (0.315)

D = Epoxy (Professional) cap. diameter > 8 (0.315)

**High Voltage**



F = Measured from the center of leads

C = Epoxy wire diameter 0.6 ± 0.1 (0.024) ± (0.004)

I = Epoxy wire diameter 0.8 ± 0.1 (0.031) ± (0.004)

L = Phenolic wire diameter 0.6 ± 0.1 (0.024) ± (0.004)

Please note that not all code combinations are either possible or available.

# Disc Ceramic Capacitors



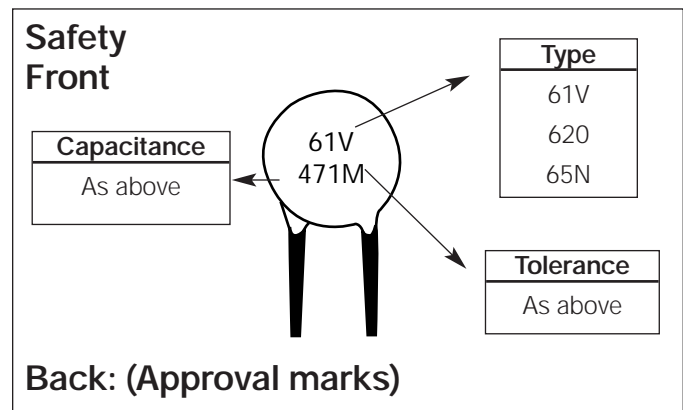
## Marking

DIG. 2		Logo: Only in diam. ≥ 6mm	Capacitance		EIA	
O				1pF = 109	100pF = 101	
TC / Class		1.2pF = 129		120pF = 121		
General Purpose	Professional	1.5pF = 159		150pF = 151		
A = NP0 / I	A = NP0 / I	1.8pF = 189		180pF = 181		
*B = P100 / I	B = P100 / I	2.2pF = 229		220pF = 221		
*C = N150 / I	C = N150 / I	2.7pF = 279		270pF = 271		
*D = N220 / I	D = N220 / I	3.9pF = 399		390pF = 391		
*E = N330 / I	E = N330 / I	4.7pF = 479		470pF = 471		
*F = N470 / I	F = N470 / I	5.6pF = 569		560pF = 561		
G = N750 / I	G = N750 / I	6.8pF = 689		680pF = 681		
H = N1500 / I	H = N1500 / I	8.2pF = 829	820pF = 821			
*I = N2200 / I	I = N2200 / I	10pF = 100	1nF = 102			
*J = N4700 / I	J = N4700 / I	12pF = 120	1.2nF = 122			
K = SL	7 = Y5U / SM	15pF = 150	1.8nF = 182			
M = Y5E / II	8 = Y5V / SM	18pF = 180	2.2nF = 222			
N = Y5F / II	L = Y5P / SM	22pF = 220	2.7nF = 272			
O = Y5P / II	M = X5E / II	27pF = 270	3.9nF = 392			
P = Y5R / II	N = X5F / II	39pF = 390	4.7nF = 472			
Q = Y5T / II	O = X5P / II	47pF = 470	5.6nF = 562			
S = Y5U / II	P = X5R / II	56pF = 560	6.8nF = 682			
T = Y5V / II	Q = X5T / II	68pF = 680	8.2nF = 822			
U = Z5V / II	S = X5U / II	82pF = 820	10nF = 103			
V = Z4V / III	T = X5V / II		15nF = 153			
*W = Y5P / II	U = Z5V / II		22nF = 223			
*X = Y5R / II	V = Z4V / III		33nF = 333			
Y = Y5U / II	W = Y5P / III		47nF = 473			
Z = Y5V / II	X = Y5R / III		100nF = 104			
	Y = Y5U / III		200nF = 204			
	Z = Y5V / III					
		<b>DIG. 3</b>	<b>DIG. 7</b>			
		<b>Q</b>	<b>M</b>			
		<b>Rated Voltage</b>	<b>Tolerance</b>			
		D = 16V	C = ±0.25pF			
		F = 25V	D = ±0.5pF			
		H = 50V	J = ±5%			
		K = 100V	K = ±10%			
		Q = 500V	M = ±20%			
		R = 1000V	S = -20 +50%			
		S = 2000V	Z = -20 +80%			
		T = 3000V	P = 0 +100%			
		U = 4000V				
		W = 5000V				
		X = 6000V				
		Y = 7500V				

\*Upon Request

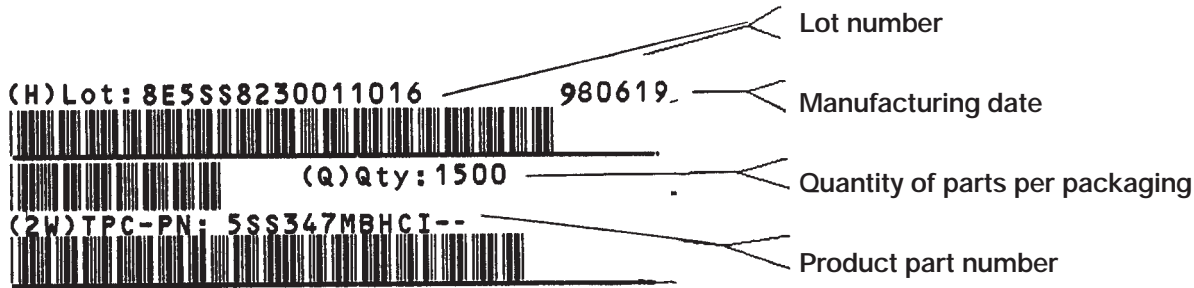
TC – Temperature coefficient.

DIG – for better understanding, check pages 3 and 4.



### IDENTIFICATION AND TRACEABILITY

On all TPC ceramic capacitors packages, you will find a bar code label with the following information:



### TAPED PARTS QUANTITY TABLE

millimeters (inches)

Rated Voltage (Vr)	Diameter D	Quantities	
		Ammopack	Reel
Vr ≤ 500V	D ≤ 7 (0.276)	2000	2500
	7 < D ≤ 11 (0.433)	2000	2000
500V < Vr ≤ 2KV	D ≤ 11 (0.433)	1500	2000
2KV < Vr = 5KV	D ≤ 11 (0.433)	1000	1500

### CARDBOARD STRIPS QUANTITY TABLE

millimeters (inches)

Rated Voltage (Vr)	Diameter D	Lead Space	
		< = 5 (0.197)	> 5 (0.197)
Vr ≤ 500V	D ≤ 8 (0.315)	2500	1500
	8 (0.315) ≤ D ≤ 11 (0.433)	1500	-
	8 (0.315) ≤ D ≤ 13 (0.512)	-	1000
	11 (0.433) ≤ D ≤ 15 (0.591)	1000	-
	13 (0.512) ≤ D ≤ 19 (0.748)	-	500
	D ≤ 19 (0.748)	500	-
500V < Vr ≤ 2KV	D ≤ 9 (0.354)	1500	1000
	9 (0.354) ≤ D ≤ 11 (0.433)	-	1000
	9 (0.354) ≤ D ≤ 13 (0.512)	1000	-
	11 (0.433) ≤ D ≤ 19 (0.748)	-	500
	13 (0.512) ≤ D ≤ 19 (0.748)	500	-
2KV < Vr ≤ 5KV Safety 65N 62O	D ≤ 9 (0.354)	1500	-
	D ≤ 11 (0.433)	-	1000
	D ≤ 13 (0.512)	500	500
Safety 61V	D ≤ 6 (0.236)	1500	1500
	7 (0.275) ≤ D ≤ 9 (0.354)	1000	1000
	9 (0.354) ≤ D	500	500

Quantities for other package alternative, upon request.



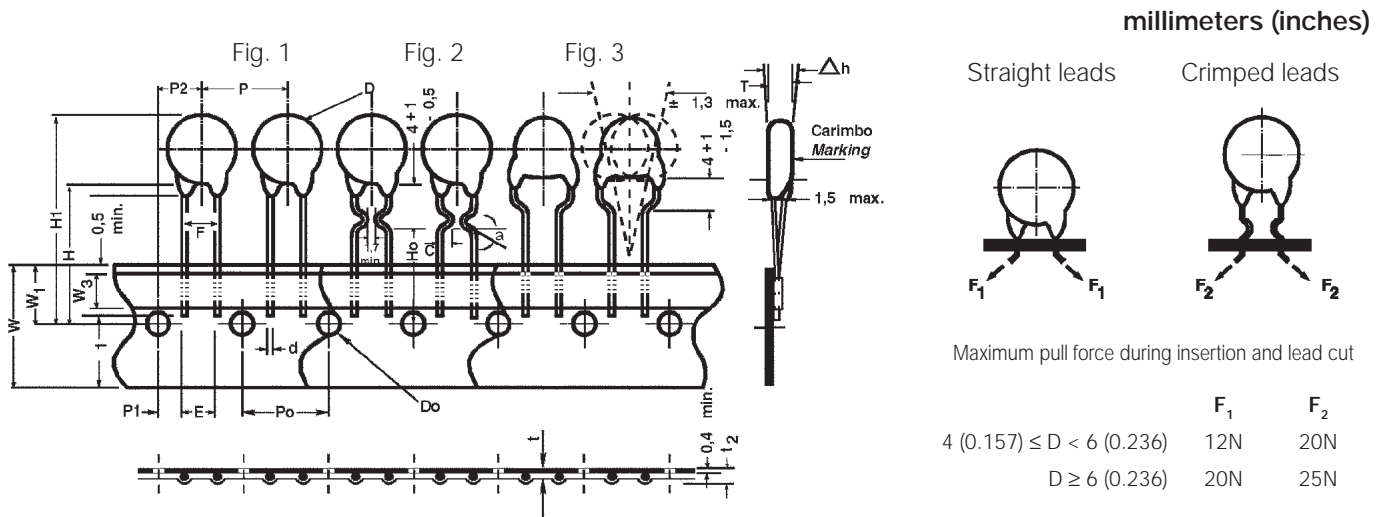
# Disc Ceramic Capacitors



## Tape and Reel Specifications

There are two types of taped disc ceramic capacitors:  
Straight or crimped leads.

Both types can be shipped on reels or ammopack.  
The standard packaging quantities are shown below:



Digit 11	Available Tapings	Digit 9
L	→ Sizes 4 (0.157) ≤ D ≤ 11 (0.433)	A... H
M		
J H	→ Sizes 6 (0.236) ≤ D ≤ 11 (0.433)	C... H
K I		

### TPC Code Digit 11

Packaging	Avisert	Panasert
Reel 	H FIGURE 1 L FIGURE 2 L FIGURE 3	J FIGURE 1 L FIGURE 2 L FIGURE 3
Ammopack 	I FIGURE 1 M FIGURE 2 M FIGURE 3	K FIGURE 1 M FIGURE 2 M FIGURE 3

Figure 2: Inside Crimp 100V... 1000V

Figure 3: Outside Crimp 1000V

# Disc Ceramic Capacitors

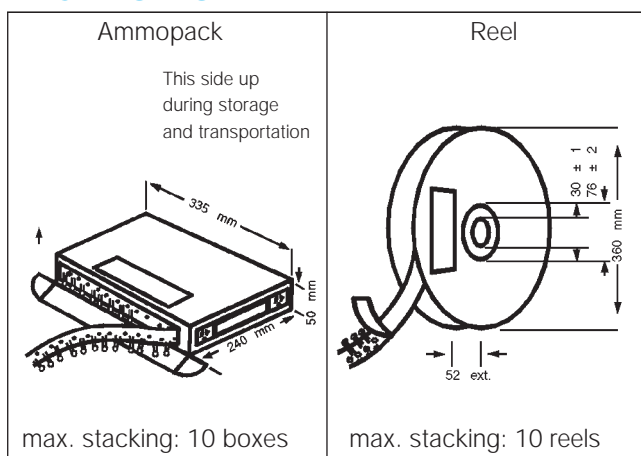


## Tape and Reel Specifications

millimeters (inches)

Description of Symbols		Straight Leads		Crimped
		Figure 1		Figure 2 & 3
		A (Avisert)	P (Panaset)	Avisert & Panaset
Crimp angle	$\infty$	—	—	20°...45°
Crimp length	C	—	—	1.7 min.
Lead diameter	d	0.60 ± 0.1		
Disc diameter	D	11 max.		
Lead hole diameter	Do	4.0 ± 0.2		
Disc thickness	T	See Catalog		
Lead spacing	F	5.0 $^{+0.6}_{-0.2}$		
Component alignment, front-rear	$\Delta h$	0 ± 1		
Height of component from tape center	H	19.5 ± 0.5	16.5 ± 0.5 - 0	—
Height from tape center to crimp	Ho	—	—	16 + 0.5 - 0
Component height	H1	32.25 max.	>23.5 <32.25	32.25 max.
Distance from component leads to tape bottom	$\ell_1$	12 max.		
Tape width	W	18 $^{+1}_{-0.5}$		
Bonding tape width	W <sub>3</sub>	5.5 min.		
Feed hole position	W <sub>1</sub>	9.0 ± 0.5		
Pitch between discs	P	12.7 ± 1		
Feed hole pitch	Po	12.7 ± 0.3		
Hole center to lead	P1	3.85 ± 0.7		
Feed hole center to component center	P2	6.35 ± 1		
Tape + bonding tape thickness	t	0.7 ± 0.2		
Total tape thickness, including lead	t <sub>2</sub>	1.5 max.		

### PACKAGING



### SHIPPING CONTAINER

