

阅读申明

- 1.本站收集的数据手册和产品资料都来自互联网，版权归原作者所有。如读者和版权方有任何异议请及时告之，我们将妥善解决。
- 2.本站提供的中文数据手册是英文数据手册的中文翻译，其目的是协助用户阅读，该译文无法自动跟随原稿更新，同时也可能存在翻译上的不当。建议读者以英文原稿为参考以便获得更精准的信息。
- 3.本站提供的产品资料，来自厂商的技术支持或者使用者的心得体会等，其内容可能存在描述上的差异，建议读者做出适当判断。
- 4.如需与我们联系，请发邮件到marketing@iczoom.com，主题请标有“数据手册”字样。

Read Statement

1. The datasheets and other product information on the site are all from network reference or other public materials, and the copyright belongs to the original author and original published source. If readers and copyright owners have any objections, please contact us and we will deal with it in a timely manner.
2. The Chinese datasheets provided on the website is a Chinese translation of the English datasheets. Its purpose is for reader's learning exchange only and do not involve commercial purposes. The translation cannot be automatically updated with the original manuscript, and there may also be improper translations. Readers are advised to use the English manuscript as a reference for more accurate information.
3. All product information provided on the website refer to solutions from manufacturers' technical support or users the contents may have differences in description, and readers are advised to take the original article as the standard.
4. If you have any questions, please contact us at marketing@iczoom.com and mark the subject with "Datasheets" .

Mid-high Voltage Ceramic Capacitors

Disk type with lead

Low dissipation at high frequency

General use

CK45-RB series

Issue date: July 2011

- All specifications are subject to change without notice.
 - Conformity to RoHS Directive: This means that, in conformity with EU Directive 2002/95/EC, lead, cadmium, mercury, hexavalent chromium, and specific bromine-based flame retardants, PBB and PBDE, have not been used, except for exempted applications.
-

Mid-high Voltage Ceramic Capacitors(Disk with Lead) Low Dissipation at High Frequency CK45-RB Series

Conformity to RoHS Directive

FEATURES

- High voltage ceramic capacitors series, low dissipation factor and higher reliability has been achieved through the use of TDK original dielectric and copper for electrode material due to nice matching of the ceramic dielectrics material for low dissipation factor, and copper for electrode.
- These capacitors have lower dissipation, and have a lower self-heating temperature than the Type 2 mid-high voltage ceramic capacitors. This makes it perfect for high-frequency, high-voltage circuits such as color TV horizontal circuits.
- Low dissipation factor, and decreased self-heating temperature in the high frequency, and high voltage application.
- These products shall conform to RoHS Directive due to lead(Pb) free of lead wire and internal solder material.
- This product is compatible with halogen-free external resin coating (we recommend halogen-free products as standard).

OPERATING TEMPERATURE RANGE: -25 to +105°C

(The maximum operating temperature of 105°C includes capacitor self-generated heat of up to 20°C.)

CAPACITANCE AND DIMENSIONS

TEMPERATURE CHARACTERISTICS: B(±10%)

RATED VOLTAGE Edc: 1kV

Part No.	Halogen-free product	Current product	Capacitance (pF)	Dimensions(mm)				Taping dimensions
				D max.	T max.	F	d	
CK45-B3AD101KY□*RA	CK45-B3AD101KY□*R	CK45-B3AD101KY□R	100	7.5	5.0	5±1.5	0.6±0.05	V1
CK45-B3AD151KY□RA	CK45-B3AD151KY□R	CK45-B3AD151KY□R	150	7.5	5.0	5±1.5	0.6±0.05	V1
CK45-B3AD221KY□RA	CK45-B3AD221KY□R	CK45-B3AD221KY□R	220	7.5	5.0	5±1.5	0.6±0.05	V1
CK45-B3AD331KY□RA	CK45-B3AD331KY□R	CK45-B3AD331KY□R	330	7.5	5.0	5±1.5	0.6±0.05	V1
CK45-B3AD471KY□RA	CK45-B3AD471KY□R	CK45-B3AD471KY□R	470	7.5	5.0	5±1.5	0.6±0.05	V1
CK45-B3AD681KY□RA	CK45-B3AD681KY□R	CK45-B3AD681KY□R	680	8.0	5.0	5±1.5	0.6±0.05	V1
CK45-B3AD102KY□RA	CK45-B3AD102KY□R	CK45-B3AD102KY□R	1,000	9.0	5.0	5±1.5	0.6±0.05	V1
CK45-B3AD152KY□RA	CK45-B3AD152KY□R	CK45-B3AD152KY□R	1,500	10.0	5.0	5±1.5	0.6±0.05	V1
CK45-B3AD222KY□RA	CK45-B3AD222KY□R	CK45-B3AD222KY□R	2,200	11.5	5.0	7.5±1.5	0.6±0.05	V2

* □ : Lead shape symbol

• 1kV and 2kV are E6 series standard products.

RATED VOLTAGE Edc: 2kV

Part No.	Halogen-free product	Current product	Capacitance (pF)	Dimensions(mm)				Taping dimensions
				D max.	T max.	F	d	
CK45-B3DD101KY□*RA	CK45-B3DD101KY□*R	CK45-B3DD101KY□R	100	7.5	5.0	5±1.5	0.6±0.05	V1
CK45-B3DD151KY□RA	CK45-B3DD151KY□R	CK45-B3DD151KY□R	150	7.5	5.0	5±1.5	0.6±0.05	V1
CK45-B3DD221KY□RA	CK45-B3DD221KY□R	CK45-B3DD221KY□R	220	7.5	5.0	5±1.5	0.6±0.05	V1
CK45-B3DD331KY□RA	CK45-B3DD331KY□R	CK45-B3DD331KY□R	330	8.0	5.0	5±1.5	0.6±0.05	V1
CK45-B3DD471KY□RA	CK45-B3DD471KY□R	CK45-B3DD471KY□R	470	8.5	5.0	5±1.5	0.6±0.05	V1
CK45-B3DD681KY□RA	CK45-B3DD681KY□R	CK45-B3DD681KY□R	680	10.0	5.0	5±1.5	0.6±0.05	V1
CK45-B3DD102KY□RA	CK45-B3DD102KY□R	CK45-B3DD102KY□R	1,000	11.0	5.0	5±1.5	0.6±0.05	V1
CK45-B3DD152KY□RA	CK45-B3DD152KY□R	CK45-B3DD152KY□R	1,500	12.5	5.0	7.5±1.5	0.6±0.05	V2
CK45-B3DD222KY□RA	CK45-B3DD222KY□R	CK45-B3DD222KY□R	2,200	14.5	5.0	7.5±1.5	0.6±0.05	V3

* □ : Lead shape symbol

• We recommend using a Halogen-free product.

• 1kV and 2kV are E6 series standard products.

PRODUCT IDENTIFICATION

CK	45	-B	3AD	102	K	Y	N	R	A
(1)	(2)	(3)	(4)	(5)	(6)	(7)	(8)	(9)	(10)

- (1) Type
- (2) Shape
- (3) Capacitance temperature characteristics
- (4) Rated voltage
- (5) Nominal capacitance
- (6) Capacitance tolerance
- (7) Class
- (8) Lead type
- (9) Low dissipation
- (10) Halogen-free compatible product



CAPACITANCE TEMPERATURE CHARACTERISTICS AND TOLERANCE

Temperature characteristics	Test temperature range	Capacitance tolerance
B(±10%)	-25 to +85°C	K(±10%)

• Conformity to RoHS Directive: This means that, in conformity with EU Directive 2002/95/EC, lead, cadmium, mercury, hexavalent chromium, and specific bromine-based flame retardants, PBB and PBDE, have not been used, except for exempted applications.

• All specifications are subject to change without notice.

CAPACITANCE AND DIMENSIONS

TEMPERATURE CHARACTERISTICS: B($\pm 10\%$)

RATED VOLTAGE E_{dc}: 3kV

Part No.		Capacitance (pF)	Dimensions(mm)				Taping dimensions
Halogen-free product	Current product		D max.	T max.	F	d	
CK45-B3FD101KY□*RA	CK45-B3FD101KY□*R	100	7.5	6.0	7.5 \pm 1.5	0.6 \pm 0.05	V2
CK45-B3FD151KY□RA	CK45-B3FD151KY□R	150	7.5	6.0	7.5 \pm 1.5	0.6 \pm 0.05	V2
CK45-B3FD221KY□RA	CK45-B3FD221KY□R	220	7.5	6.0	7.5 \pm 1.5	0.6 \pm 0.05	V2
CK45-B3FD331KY□RA	CK45-B3FD331KY□R	330	8.0	6.0	7.5 \pm 1.5	0.6 \pm 0.05	V2
CK45-B3FD471KY□RA	CK45-B3FD471KY□R	470	10.0	6.0	7.5 \pm 1.5	0.6 \pm 0.05	V2
CK45-B3FD681KY□RA	CK45-B3FD681KY□R	680	11.0	6.0	7.5 \pm 1.5	0.6 \pm 0.05	V2
CK45-B3FD102KY□RA	CK45-B3FD102KY□R	1,000	12.5	6.0	7.5 \pm 1.5	0.6 \pm 0.05	V2
CK45-B3FD152KY□RA	CK45-B3FD152KY□R	1,500	14.5	6.0	7.5 \pm 1.5	0.6 \pm 0.05	V3

* □ : Lead shape symbol

LIST OF STANDARD LEAD SHAPES

The lead type is indicated by the letter which is the 15th character of the product name.

Example) TDK Product Name: **CK45-B3AD102KYNRA**

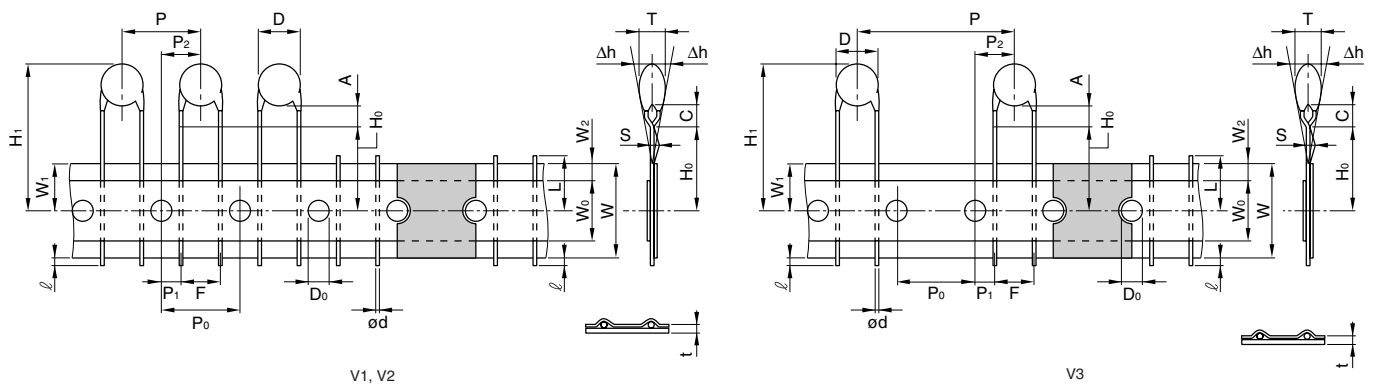
└ N: Lead type (Vertical kink, Short)

	Long lead Symbol G	Short lead Symbol N	Taping Symbol V
Vertical kink			

- We recommend using a vertical kink type.
- For bulk products, we recommend a short lead type with the symbol N.

TAPING DIMENSIONS

VERTICAL KINK LEAD TYPE



Item	Symbol	Dimensions(mm)			Remarks
		V1	V2	V3	
Body diameter	D	Depends on the specification of each product.			
Body thickness	T	Depends on the specification of each product.			
Lead-wire diameter	ød	0.6±0.05	0.6±0.05	0.6±0.05	
Pitch of component	P	12.7±1.0	15.0±1.0	30.0±1.0	Including the slant of body
Feed hole pitch	P ₀	12.7±0.3	15.0±0.3	15.0±0.3	Excepting the tape splicing part
Feed hole center to lead	P ₁	3.85±0.7	3.75±0.7	3.75±0.7	
Feed hole center to component center	P ₂	6.35±1.3	7.5±1.3	7.5±1.3	
Lead-to lead distance	F	5+0.8, -0.2	7.5±0.8	7.5±0.8	Measuring point is bottom kink
Component alignment	Δh	0±2.0	0±2.0	0±2.0	Including the slanting body due to bending lead-wire
Tape width	W	18.0+1.0, -0.5	18.0+1.0, -0.5	18.0+1.0, -0.5	
Adhesive tape width	W ₀	11.5min.	11.5min.	11.5min.	
Hole position	W ₁	9.0±0.5	9.0±0.5	9.0±0.5	
Adhesive tape position	W ₂	3.0max.	3.0max.	3.0max.	Adhesive tape do not stick out the tape
Bottom of kink from tape center	H ₀	16.0+1.5, -0.5	16.0+1.5, -0.5	16.0+1.5, -0.5	
Height of body from tape center	H ₁	46.0max.	46.0max.	46.0max.	
Lead-wire protrusion	ℓ	1.0max.	1.0max.	1.0max.	
Feed hole diameter	D ₀	4.0±0.2	4.0±0.2	4.0±0.2	
Total tape thickness	t	0.6±0.3	0.6±0.3	0.6±0.3	Do not including adhesive tape
Length of snapped lead	L	11.0max.	11.0max.	11.0max.	
Coating on lead	C	4.0max.	4.0max.	4.0max.	
Height of kink	A	4.0max.	4.0max.	4.0max.	Measuring point is bottom kink
Spring action	S	2.0max.	2.0max.	2.0max.	

• For more information about products with other capacitance or other data, please contact us.

• All specifications are subject to change without notice.