

## 阅读申明

- 1.本站收集的数据手册和产品资料都来自互联网，版权归原作者所有。如读者和版权方有任何异议请及时告之，我们将妥善解决。
- 2.本站提供的中文数据手册是英文数据手册的中文翻译，其目的是协助用户阅读，该译文无法自动跟随原稿更新，同时也可能存在翻译上的不当。建议读者以英文原稿为参考以便获得更精准的信息。
- 3.本站提供的产品资料，来自厂商的技术支持或者使用者的心得体会等，其内容可能存在描述上的差异，建议读者做出适当判断。
- 4.如需与我们联系，请发邮件到marketing@iczoom.com，主题请标有“数据手册”字样。

## Read Statement

1. The datasheets and other product information on the site are all from network reference or other public materials, and the copyright belongs to the original author and original published source. If readers and copyright owners have any objections, please contact us and we will deal with it in a timely manner.
2. The Chinese datasheets provided on the website is a Chinese translation of the English datasheets. Its purpose is for reader's learning exchange only and do not involve commercial purposes. The translation cannot be automatically updated with the original manuscript, and there may also be improper translations. Readers are advised to use the English manuscript as a reference for more accurate information.
3. All product information provided on the website refer to solutions from manufacturers' technical support or users the contents may have differences in description, and readers are advised to take the original article as the standard.
4. If you have any questions, please contact us at marketing@iczoom.com and mark the subject with "Datasheets" .

# Radial Lead Type Monolithic Ceramic Capacitors



### **EU RoHS Compliant**

- All the products in this catalog comply with EU RoHS.
- EU RoHS is "the European Directive 2002/95/EC on the Restriction of the Use of Certain Hazardous Substances in Electrical and Electronic Equipment."
- For more details, please refer to our website 'Murata's Approach for EU RoHS' (<http://www.murata.com/info/rohs.html>).

# CONTENTS

1

<b>Part Numbering</b>	_____	2
<b>1 RPE Series (DC25V-DC100V)</b>	_____	4
● Marking	_____	5
Temperature Compensating Type, COG Characteristics	_____	6
High Dielectric Constant Type, X7R Characteristics	_____	9
High Dielectric Constant Type, Y5V Characteristics	_____	10
● Specifications and Test Methods	_____	12
<b>2 RPE Series Small Size, Large Capacitance (DC50V)</b>	_____	15
● Marking	_____	16
High Dielectric Constant Type, X7R Characteristics	_____	16
● Specifications and Test Methods	_____	17
<b>3 RH Series 150°C max. (for Automotive) (DC50V-DC100V)</b>	_____	19
● Marking	_____	20
Temperature Compensating Type, X8G Characteristics	_____	20
High Dielectric Constant Type, X8L Characteristics	_____	21
● Specifications and Test Methods	_____	24
<b>4 RDE Series (For Commercial Use Only) (DC25V-DC630V)</b>	_____	27
● Marking	_____	28
Temperature Compensating Type, COG Characteristics	_____	28
High Dielectric Constant Type, X7R/X7S Characteristics	_____	30
High Dielectric Constant Type, F/Y5V Characteristics	_____	33
● Specifications and Test Methods	_____	34
<b>5 RDE Series Large Capacitance and High Allowable Ripple Current (For Commercial Use Only) (DC250V-DC630V)</b>	_____	37
● Marking	_____	38
High Dielectric Constant Type, X7T Characteristics	_____	38
● Specifications and Test Methods	_____	40
<b>Reference Data (Typical Example)</b>	_____	42
RPE Series	_____	42
RPE Series Small Size, Large Capacitance	_____	43
RH Series	_____	44
RDE Series	_____	45
<b>Packaging</b>	_____	46
<b>⚠Caution</b>	_____	48
<b>Notice</b>	_____	51

2

3

4

5

● Part Numbering

Radial Lead Type Monolithic Ceramic Capacitors



① Product ID

② Series/Terminal

Product ID	Series/Terminal	
RP	E	Radial Lead Type Monolithic Ceramic Capacitors (DC25V-DC100V)
RH	E/D	Radial Lead Type Monolithic Ceramic Capacitors 150°C max. (for Automotive) (DC50V-DC100V)
RD	E	Radial Lead Type Monolithic Ceramic Capacitors (For Commercial Use Only) (DC25V-DC630V)

③ Temperature Characteristics

Code	Temperature Characteristics	Reference Temperature	Temperature Range	Capacitance Change or Temperature Coefficient	Operating Temperature Range
5C	C0G*	25°C	25 to 125°C	0±30ppm/°C	-55 to 125°C
5G	X8G*	25°C	25 to 150°C	0±30ppm/°C	-55 to 150°C
C7	X7S	25°C	-55 to 125°C	±22%	-55 to 125°C
D7	X7T	25°C	-55 to 125°C	+22, -33%	-55 to 125°C
F1	F	20°C	-25 to 85°C	+30, -80%	-25 to 85°C
F5	Y5V	25°C	-30 to 85°C	+22, -82%	-30 to 85°C
L8	X8L	25°C	-55 to 125°C	±15%	-55 to 150°C
			125 to 150°C	+15, -40%	
R7	X7R	25°C	-55 to 125°C	±15%	-55 to 125°C

\* Please refer to table for Capacitance change under reference temperature.

• Capacitance change from each temperature

Char.	Nominal Values (ppm/°C) *1	Capacitance Change from 25°C (%)					
		-55°C		-30°C		-10°C	
		Max.	Min.	Max.	Min.	Max.	Min.
C0G	0±30	0.58	-0.24	0.40	-0.17	0.25	-0.11
X8G							

\*1: Nominal values denote the temperature coefficient within a range of 25 to 125°C.

④ Rated Voltage

Code	Rated Voltage
1E	DC25V
1H	DC50V
2A	DC100V
2E	DC250V
2W	DC450V
2J	DC630V

⑤ Capacitance Tolerance

Code	Capacitance Tolerance	Temperature Characteristics	Capacitance Step
C	±0.25pF	C0G	≤5pF : 1pF Step
D	±0.5pF		6 to 9pF : 1pF Step
J	±5%	C0G/X8G	≥10 : E12 Series
K	±10%	X7S/X7T/X7R/ X8L	E6 Series
M	±20%	X7S/X7T/X7R/ X8L	E3 Series
Z	+80%, -20%	F/Y5V	E3 Series

⑥ Capacitance

Expressed by three-digit alphanumerics. The unit is pico-farad (pF). The first and second figures are significant digits, and the third figure expresses the number of zeros that follow the two numbers.

If there is a decimal point, it is expressed by the capital letter "R."  
 In this case, all figures are significant digits.

Continued on the following page.

☐ Continued from the preceding page.

⑦ Dimensions (LxW)

Code	Dimensions (LxW)
<b>0</b>	4.0X3.5mm or 5.0X3.5mm (Depends on Part Number List)
<b>1</b>	4.0X3.5mm or 4.5X3.5mm or 5.0X3.5mm (Depends on Part Number List)
<b>2</b>	5.0X3.5mm or 5.5X4.0mm or 5.7X4.5mm (Depends on Part Number List)
<b>3</b>	5.0X4.5mm or 5.5X5.0mm or 6.0X5.5mm (Depends on Part Number List)
<b>5</b>	7.5X7.5mm*
<b>6</b>	10.0X10.0mm
<b>7</b>	12.5X12.5mm
<b>8</b>	7.5X5.5mm
<b>U</b>	7.7X12.5mm*
<b>W</b>	5.5X7.5mm

\* DC630V: W+0.5mm

⑧ Lead Style

Code	Lead Style	Lead Spacing
<b>A2</b>	Straight Long	2.5mm
<b>B1</b>	Straight Long	5.0mm
<b>C1</b>	Straight Long	10.0mm
<b>DB</b>	Straight Taping	2.5mm
<b>E1/E2</b>	Straight Taping	5.0mm
<b>K1</b>	Inside Crimp	5.0mm
<b>M1/M2</b>	Inside Crimp Taping	5.0mm
<b>P1</b>	Outside Crimp	2.5mm
<b>S1/S2</b>	Outside Crimp Taping	2.5mm

Lead distance between reference and bottom planes.

M1, S1: H<sub>0</sub> = 16.0±0.5mm

M2, S2: H<sub>0</sub> = 20.0±0.5mm

E1: H = 17.5±0.5mm

E2: H = 20.0±0.5mm

⑨ Individual Specification Code

Expressed by three-digit alphanumerics

⑩ Packaging

Code	Packaging
<b>A</b>	Ammo Pack
<b>B</b>	Bulk

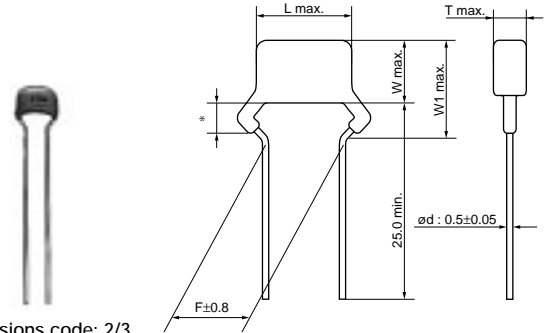
# Radial Lead Type Monolithic Ceramic Capacitors



## RPE Series (DC25V-DC100V)

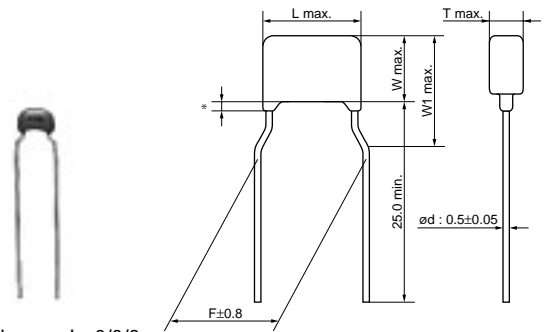
### ■ Features

1. The RPE series capacitors have small dimensions, large capacitance, and a capacity volume ratio of 10 micro F/cm cubed, close to that of electrolytic capacitors. They do not have polarity.
2. Excellent frequency characteristics and due to their small internal inductance are suitable for high frequencies.
3. Not coated with wax so there is no change in their exterior appearance due to the outflow of wax during soldering or solvent during cleansing.
4. They are highly nonflammable, having characteristics equivalent to the UL94V-0 standard.



Dimensions code: 2/3  
 Lead style code: P1

\* Coating extension does not exceed the end of the lead bend.  
 • Lead Wire : Solder Coated Copper Wire or Solder Coated CP Wire (in mm)

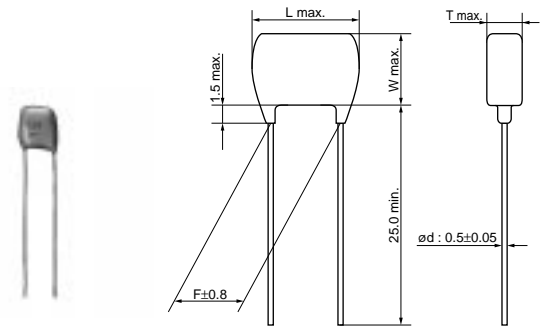


Dimensions code: 2/3/8  
 Lead style code: K1

\* Coating extension does not exceed the end of the lead bend.  
 • Lead Wire : Solder Coated Copper Wire or Solder Coated CP Wire (in mm)

### ■ Dimensions

Dimensions and Lead Style Code	Dimensions (mm)					
	L	W	W1	T	F	d
2P1/2S1/2S2	5.0	3.5	5.0	See the individual product specifications	2.5	0.5
2K1/2M1/2M2	5.0	3.5	5.0		5.0	0.5
3P1/3S1/3S2	5.0	4.5	6.3		2.5	0.5
3K1/3M1/3M2	5.0	4.5	6.3		5.0	0.5
5B1/5E1/5E2	7.5	7.5	-		5.0	0.5
6B1/6E1/6E2	10.0	10.0	-		5.0	0.5
7C1	12.5	12.5	-		10.0	0.5
8K1/8M1/8M2	7.5	5.5	8.0		5.0	0.5



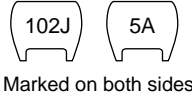


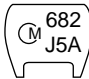


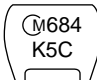


Dimensions code: 5/6/7  
 Lead style code: B1/C1

• Lead Wire : Solder Coated Copper Wire or Solder Coated CP Wire (in mm)

Continued on the following page.

Continued from the preceding page.

**Marking**

Dimensions Code	Type	Temperature Compensating Type	High Dielectric Constant Type	
	Temp. Char.	C0G	X7R	Y5V
2	Individual Specification Code A□□ B□□ Z□□			
	Individual Specification Code Except A□□ B□□ Z□□			
3, 8		—		—
5, 6, 7		—		—
Temperature Characteristics	Marked with code (C0G char.: A, X7R char.: C, Y5V char.: F) A part is omitted (Please refer to the marking example.)			
Nominal Capacitance	Under 100pF: Actual value    100pF and over: marked with 3 figures			
Capacitance Tolerance	Marked with code			
Rated Voltage	Marked with code (DC25V: 2, DC50V: 5, DC100V: 1) A part is omitted (Please refer to the marking example.)			
Manufacturer's Identification	Marked with  A part is omitted (Please refer to the marking example.)			



## Temperature Compensating Type, C0G Characteristics

Part Number	Temp. Char.	Rated Voltage (Vdc)	Capacitance (pF)	Dimensions LxW (mm)	Dimension T (mm)	Lead Space F (mm)	Lead Style Code Bulk	Lead Style Code Taping (1)	Lead Style Code Taping (2)
RPE5C1H1R0C2□□B03□	C0G	50	1.0 ±0.25pF	5.0 x 3.5	2.5	2.5	P1	S1	S2
RPE5C1H1R0C2□□B03□	C0G	50	1.0 ±0.25pF	5.0 x 3.5	2.5	5.0	K1	M1	M2
RPE5C1H2R0C2□□B03□	C0G	50	2.0 ±0.25pF	5.0 x 3.5	2.5	2.5	P1	S1	S2
RPE5C1H2R0C2□□B03□	C0G	50	2.0 ±0.25pF	5.0 x 3.5	2.5	5.0	K1	M1	M2
RPE5C1H3R0C2□□B03□	C0G	50	3.0 ±0.25pF	5.0 x 3.5	2.5	2.5	P1	S1	S2
RPE5C1H3R0C2□□B03□	C0G	50	3.0 ±0.25pF	5.0 x 3.5	2.5	5.0	K1	M1	M2
RPE5C1H4R0C2□□B03□	C0G	50	4.0 ±0.25pF	5.0 x 3.5	2.5	2.5	P1	S1	S2
RPE5C1H4R0C2□□B03□	C0G	50	4.0 ±0.25pF	5.0 x 3.5	2.5	5.0	K1	M1	M2
RPE5C1H5R0C2□□B03□	C0G	50	5.0 ±0.25pF	5.0 x 3.5	2.5	2.5	P1	S1	S2
RPE5C1H5R0C2□□B03□	C0G	50	5.0 ±0.25pF	5.0 x 3.5	2.5	5.0	K1	M1	M2
RPE5C1H6R0D2□□B03□	C0G	50	6.0 ±0.5pF	5.0 x 3.5	2.5	2.5	P1	S1	S2
RPE5C1H6R0D2□□B03□	C0G	50	6.0 ±0.5pF	5.0 x 3.5	2.5	5.0	K1	M1	M2
RPE5C1H7R0D2□□Z03□	C0G	50	7.0 ±0.5pF	5.0 x 3.5	2.5	2.5	P1	S1	S2
RPE5C1H7R0D2□□Z03□	C0G	50	7.0 ±0.5pF	5.0 x 3.5	2.5	5.0	K1	M1	M2
RPE5C1H8R0D2□□Z03□	C0G	50	8.0 ±0.5pF	5.0 x 3.5	2.5	2.5	P1	S1	S2
RPE5C1H8R0D2□□Z03□	C0G	50	8.0 ±0.5pF	5.0 x 3.5	2.5	5.0	K1	M1	M2
RPE5C1H9R0D2□□Z03□	C0G	50	9.0 ±0.5pF	5.0 x 3.5	2.5	2.5	P1	S1	S2
RPE5C1H9R0D2□□Z03□	C0G	50	9.0 ±0.5pF	5.0 x 3.5	2.5	5.0	K1	M1	M2
RPE5C1H100J2□□Z03□	C0G	50	10 ±5%	5.0 x 3.5	2.5	2.5	P1	S1	S2
RPE5C1H100J2□□Z03□	C0G	50	10 ±5%	5.0 x 3.5	2.5	5.0	K1	M1	M2
RPE5C1H120J2□□Z03□	C0G	50	12 ±5%	5.0 x 3.5	2.5	2.5	P1	S1	S2
RPE5C1H120J2□□Z03□	C0G	50	12 ±5%	5.0 x 3.5	2.5	5.0	K1	M1	M2
RPE5C1H150J2□□Z03□	C0G	50	15 ±5%	5.0 x 3.5	2.5	2.5	P1	S1	S2
RPE5C1H150J2□□Z03□	C0G	50	15 ±5%	5.0 x 3.5	2.5	5.0	K1	M1	M2
RPE5C1H180J2□□Z03□	C0G	50	18 ±5%	5.0 x 3.5	2.5	2.5	P1	S1	S2
RPE5C1H180J2□□Z03□	C0G	50	18 ±5%	5.0 x 3.5	2.5	5.0	K1	M1	M2
RPE5C1H220J2□□Z03□	C0G	50	22 ±5%	5.0 x 3.5	2.5	2.5	P1	S1	S2
RPE5C1H220J2□□Z03□	C0G	50	22 ±5%	5.0 x 3.5	2.5	5.0	K1	M1	M2
RPE5C1H270J2□□Z03□	C0G	50	27 ±5%	5.0 x 3.5	2.5	2.5	P1	S1	S2
RPE5C1H270J2□□Z03□	C0G	50	27 ±5%	5.0 x 3.5	2.5	5.0	K1	M1	M2
RPE5C1H330J2□□Z03□	C0G	50	33 ±5%	5.0 x 3.5	2.5	2.5	P1	S1	S2
RPE5C1H330J2□□Z03□	C0G	50	33 ±5%	5.0 x 3.5	2.5	5.0	K1	M1	M2
RPE5C1H390J2□□Z03□	C0G	50	39 ±5%	5.0 x 3.5	2.5	2.5	P1	S1	S2
RPE5C1H390J2□□Z03□	C0G	50	39 ±5%	5.0 x 3.5	2.5	5.0	K1	M1	M2
RPE5C1H470J2□□Z03□	C0G	50	47 ±5%	5.0 x 3.5	2.5	2.5	P1	S1	S2
RPE5C1H470J2□□Z03□	C0G	50	47 ±5%	5.0 x 3.5	2.5	5.0	K1	M1	M2
RPE5C1H560J2□□Z03□	C0G	50	56 ±5%	5.0 x 3.5	2.5	2.5	P1	S1	S2
RPE5C1H560J2□□Z03□	C0G	50	56 ±5%	5.0 x 3.5	2.5	5.0	K1	M1	M2
RPE5C1H680J2□□Z03□	C0G	50	68 ±5%	5.0 x 3.5	2.5	2.5	P1	S1	S2
RPE5C1H680J2□□Z03□	C0G	50	68 ±5%	5.0 x 3.5	2.5	5.0	K1	M1	M2
RPE5C1H820J2□□Z03□	C0G	50	82 ±5%	5.0 x 3.5	2.5	2.5	P1	S1	S2
RPE5C1H820J2□□Z03□	C0G	50	82 ±5%	5.0 x 3.5	2.5	5.0	K1	M1	M2
RPE5C1H101J2□□A03□	C0G	50	100 ±5%	5.0 x 3.5	2.5	2.5	P1	S1	S2
RPE5C1H101J2□□A03□	C0G	50	100 ±5%	5.0 x 3.5	2.5	5.0	K1	M1	M2
RPE5C1H121J2□□A03□	C0G	50	120 ±5%	5.0 x 3.5	2.5	2.5	P1	S1	S2
RPE5C1H121J2□□A03□	C0G	50	120 ±5%	5.0 x 3.5	2.5	5.0	K1	M1	M2
RPE5C1H151J2□□A03□	C0G	50	150 ±5%	5.0 x 3.5	2.5	2.5	P1	S1	S2
RPE5C1H151J2□□A03□	C0G	50	150 ±5%	5.0 x 3.5	2.5	5.0	K1	M1	M2
RPE5C1H181J2□□A03□	C0G	50	180 ±5%	5.0 x 3.5	2.5	2.5	P1	S1	S2
RPE5C1H181J2□□A03□	C0G	50	180 ±5%	5.0 x 3.5	2.5	5.0	K1	M1	M2
RPE5C1H221J2□□A03□	C0G	50	220 ±5%	5.0 x 3.5	2.5	2.5	P1	S1	S2
RPE5C1H221J2□□A03□	C0G	50	220 ±5%	5.0 x 3.5	2.5	5.0	K1	M1	M2
RPE5C1H271J2□□A03□	C0G	50	270 ±5%	5.0 x 3.5	2.5	2.5	P1	S1	S2
RPE5C1H271J2□□A03□	C0G	50	270 ±5%	5.0 x 3.5	2.5	5.0	K1	M1	M2

Continued on the following page.

Continued from the preceding page.

Part Number	Temp. Char.	Rated Voltage (Vdc)	Capacitance (pF)	Dimensions LxW (mm)	Dimension T (mm)	Lead Space F (mm)	Lead Style Code Bulk	Lead Style Code Taping (1)	Lead Style Code Taping (2)
RPE5C1H331J2□□A03□	COG	50	330 ±5%	5.0 x 3.5	2.5	2.5	P1	S1	S2
RPE5C1H331J2□□A03□	COG	50	330 ±5%	5.0 x 3.5	2.5	5.0	K1	M1	M2
RPE5C1H391J2□□A03□	COG	50	390 ±5%	5.0 x 3.5	2.5	2.5	P1	S1	S2
RPE5C1H391J2□□A03□	COG	50	390 ±5%	5.0 x 3.5	2.5	5.0	K1	M1	M2
RPE5C1H471J2□□A03□	COG	50	470 ±5%	5.0 x 3.5	2.5	2.5	P1	S1	S2
RPE5C1H471J2□□A03□	COG	50	470 ±5%	5.0 x 3.5	2.5	5.0	K1	M1	M2
RPE5C1H561J2□□A03□	COG	50	560 ±5%	5.0 x 3.5	2.5	2.5	P1	S1	S2
RPE5C1H561J2□□A03□	COG	50	560 ±5%	5.0 x 3.5	2.5	5.0	K1	M1	M2
RPE5C1H681J2□□A03□	COG	50	680 ±5%	5.0 x 3.5	2.5	2.5	P1	S1	S2
RPE5C1H681J2□□A03□	COG	50	680 ±5%	5.0 x 3.5	2.5	5.0	K1	M1	M2
RPE5C1H821J2□□A03□	COG	50	820 ±5%	5.0 x 3.5	2.5	2.5	P1	S1	S2
RPE5C1H821J2□□A03□	COG	50	820 ±5%	5.0 x 3.5	2.5	5.0	K1	M1	M2
RPE5C1H102J2□□A03□	COG	50	1000 ±5%	5.0 x 3.5	2.5	2.5	P1	S1	S2
RPE5C1H102J2□□A03□	COG	50	1000 ±5%	5.0 x 3.5	2.5	5.0	K1	M1	M2
RPE5C1H122J2□□A03□	COG	50	1200 ±5%	5.0 x 3.5	3.15	2.5	P1	S1	S2
RPE5C1H122J2□□A03□	COG	50	1200 ±5%	5.0 x 3.5	3.15	5.0	K1	M1	M2
RPE5C1H152J2□□A03□	COG	50	1500 ±5%	5.0 x 3.5	3.15	2.5	P1	S1	S2
RPE5C1H152J2□□A03□	COG	50	1500 ±5%	5.0 x 3.5	3.15	5.0	K1	M1	M2
RPE5C1H182J2□□C03□	COG	50	1800 ±5%	5.0 x 3.5	3.15	2.5	P1	S1	S2
RPE5C1H182J2□□A03□	COG	50	1800 ±5%	5.0 x 3.5	3.15	5.0	K1	M1	M2
RPE5C1H222J2□□C03□	COG	50	2200 ±5%	5.0 x 3.5	3.15	2.5	P1	S1	S2
RPE5C1H222J2□□A03□	COG	50	2200 ±5%	5.0 x 3.5	3.15	5.0	K1	M1	M2
RPE5C1H272J2□□C03□	COG	50	2700 ±5%	5.0 x 3.5	3.15	2.5	P1	S1	S2
RPE5C1H272J2□□A03□	COG	50	2700 ±5%	5.0 x 3.5	3.15	5.0	K1	M1	M2
RPE5C1H332J2□□C03□	COG	50	3300 ±5%	5.0 x 3.5	3.15	2.5	P1	S1	S2
RPE5C1H332J2□□A03□	COG	50	3300 ±5%	5.0 x 3.5	3.15	5.0	K1	M1	M2
RPE5C1H392J2□□C03□	COG	50	3900 ±5%	5.0 x 3.5	3.15	2.5	P1	S1	S2
RPE5C1H392J2□□A03□	COG	50	3900 ±5%	5.0 x 3.5	3.15	5.0	K1	M1	M2
RPE5C1H472J2□□C03□	COG	50	4700 ±5%	5.0 x 3.5	3.15	2.5	P1	S1	S2
RPE5C1H472J2□□A03□	COG	50	4700 ±5%	5.0 x 3.5	3.15	5.0	K1	M1	M2
RPE5C1H562J2□□C03□	COG	50	5600 ±5%	5.0 x 3.5	3.15	2.5	P1	S1	S2
RPE5C1H562J2□□A03□	COG	50	5600 ±5%	5.0 x 3.5	3.15	5.0	K1	M1	M2
RPE5C1H682J2□□C03□	COG	50	6800 ±5%	5.0 x 3.5	3.15	5.0	K1	M1	M2
RPE5C1H822J2□□C03□	COG	50	8200 ±5%	5.0 x 3.5	3.15	5.0	K1	M1	M2
RPE5C1H103J2□□C03□	COG	50	10000 ±5%	5.0 x 3.5	3.15	5.0	K1	M1	M2
RPE5C2A1R0C2□□B03□	COG	100	1.0 ±0.25pF	5.0 x 3.5	2.5	2.5	P1	S1	S2
RPE5C2A1R0C2□□B03□	COG	100	1.0 ±0.25pF	5.0 x 3.5	2.5	5.0	K1	M1	M2
RPE5C2A2R0C2□□B03□	COG	100	2.0 ±0.25pF	5.0 x 3.5	2.5	2.5	P1	S1	S2
RPE5C2A2R0C2□□B03□	COG	100	2.0 ±0.25pF	5.0 x 3.5	2.5	5.0	K1	M1	M2
RPE5C2A3R0C2□□B03□	COG	100	3.0 ±0.25pF	5.0 x 3.5	2.5	2.5	P1	S1	S2
RPE5C2A3R0C2□□B03□	COG	100	3.0 ±0.25pF	5.0 x 3.5	2.5	5.0	K1	M1	M2
RPE5C2A4R0C2□□B03□	COG	100	4.0 ±0.25pF	5.0 x 3.5	2.5	2.5	P1	S1	S2
RPE5C2A4R0C2□□B03□	COG	100	4.0 ±0.25pF	5.0 x 3.5	2.5	5.0	K1	M1	M2
RPE5C2A5R0C2□□B03□	COG	100	5.0 ±0.25pF	5.0 x 3.5	2.5	2.5	P1	S1	S2
RPE5C2A5R0C2□□B03□	COG	100	5.0 ±0.25pF	5.0 x 3.5	2.5	5.0	K1	M1	M2
RPE5C2A6R0D2□□B03□	COG	100	6.0 ±0.5pF	5.0 x 3.5	2.5	2.5	P1	S1	S2
RPE5C2A6R0D2□□B03□	COG	100	6.0 ±0.5pF	5.0 x 3.5	2.5	5.0	K1	M1	M2
RPE5C2A7R0D2□□Z03□	COG	100	7.0 ±0.5pF	5.0 x 3.5	2.5	2.5	P1	S1	S2
RPE5C2A7R0D2□□Z03□	COG	100	7.0 ±0.5pF	5.0 x 3.5	2.5	5.0	K1	M1	M2
RPE5C2A8R0D2□□Z03□	COG	100	8.0 ±0.5pF	5.0 x 3.5	2.5	2.5	P1	S1	S2
RPE5C2A8R0D2□□Z03□	COG	100	8.0 ±0.5pF	5.0 x 3.5	2.5	5.0	K1	M1	M2
RPE5C2A9R0D2□□Z03□	COG	100	9.0 ±0.5pF	5.0 x 3.5	2.5	2.5	P1	S1	S2
RPE5C2A9R0D2□□Z03□	COG	100	9.0 ±0.5pF	5.0 x 3.5	2.5	5.0	K1	M1	M2
RPE5C2A100J2□□Z03□	COG	100	10 ±5%	5.0 x 3.5	2.5	2.5	P1	S1	S2
RPE5C2A100J2□□Z03□	COG	100	10 ±5%	5.0 x 3.5	2.5	5.0	K1	M1	M2
RPE5C2A120J2□□Z03□	COG	100	12 ±5%	5.0 x 3.5	2.5	2.5	P1	S1	S2
RPE5C2A120J2□□Z03□	COG	100	12 ±5%	5.0 x 3.5	2.5	5.0	K1	M1	M2

Continued on the following page.

Continued from the preceding page.

Part Number	Temp. Char.	Rated Voltage (Vdc)	Capacitance (pF)	Dimensions LxW (mm)	Dimension T (mm)	Lead Space F (mm)	Lead Style Code Bulk	Lead Style Code Taping (1)	Lead Style Code Taping (2)
RPE5C2A150J2□□Z03□	COG	100	15 ±5%	5.0 x 3.5	2.5	2.5	P1	S1	S2
RPE5C2A150J2□□Z03□	COG	100	15 ±5%	5.0 x 3.5	2.5	5.0	K1	M1	M2
RPE5C2A180J2□□Z03□	COG	100	18 ±5%	5.0 x 3.5	2.5	2.5	P1	S1	S2
RPE5C2A180J2□□Z03□	COG	100	18 ±5%	5.0 x 3.5	2.5	5.0	K1	M1	M2
RPE5C2A220J2□□Z03□	COG	100	22 ±5%	5.0 x 3.5	2.5	2.5	P1	S1	S2
RPE5C2A220J2□□Z03□	COG	100	22 ±5%	5.0 x 3.5	2.5	5.0	K1	M1	M2
RPE5C2A270J2□□Z03□	COG	100	27 ±5%	5.0 x 3.5	2.5	2.5	P1	S1	S2
RPE5C2A270J2□□Z03□	COG	100	27 ±5%	5.0 x 3.5	2.5	5.0	K1	M1	M2
RPE5C2A330J2□□Z03□	COG	100	33 ±5%	5.0 x 3.5	2.5	2.5	P1	S1	S2
RPE5C2A330J2□□Z03□	COG	100	33 ±5%	5.0 x 3.5	2.5	5.0	K1	M1	M2
RPE5C2A390J2□□Z03□	COG	100	39 ±5%	5.0 x 3.5	2.5	2.5	P1	S1	S2
RPE5C2A390J2□□Z03□	COG	100	39 ±5%	5.0 x 3.5	2.5	5.0	K1	M1	M2
RPE5C2A470J2□□Z03□	COG	100	47 ±5%	5.0 x 3.5	2.5	2.5	P1	S1	S2
RPE5C2A470J2□□Z03□	COG	100	47 ±5%	5.0 x 3.5	2.5	5.0	K1	M1	M2
RPE5C2A560J2□□Z03□	COG	100	56 ±5%	5.0 x 3.5	2.5	2.5	P1	S1	S2
RPE5C2A560J2□□Z03□	COG	100	56 ±5%	5.0 x 3.5	2.5	5.0	K1	M1	M2
RPE5C2A680J2□□Z03□	COG	100	68 ±5%	5.0 x 3.5	2.5	2.5	P1	S1	S2
RPE5C2A680J2□□Z03□	COG	100	68 ±5%	5.0 x 3.5	2.5	5.0	K1	M1	M2
RPE5C2A820J2□□Z03□	COG	100	82 ±5%	5.0 x 3.5	2.5	2.5	P1	S1	S2
RPE5C2A820J2□□Z03□	COG	100	82 ±5%	5.0 x 3.5	2.5	5.0	K1	M1	M2
RPE5C2A101J2□□A03□	COG	100	100 ±5%	5.0 x 3.5	2.5	2.5	P1	S1	S2
RPE5C2A101J2□□A03□	COG	100	100 ±5%	5.0 x 3.5	2.5	5.0	K1	M1	M2
RPE5C2A121J2□□A03□	COG	100	120 ±5%	5.0 x 3.5	2.5	2.5	P1	S1	S2
RPE5C2A121J2□□A03□	COG	100	120 ±5%	5.0 x 3.5	2.5	5.0	K1	M1	M2
RPE5C2A151J2□□A03□	COG	100	150 ±5%	5.0 x 3.5	2.5	2.5	P1	S1	S2
RPE5C2A151J2□□A03□	COG	100	150 ±5%	5.0 x 3.5	2.5	5.0	K1	M1	M2
RPE5C2A181J2□□A03□	COG	100	180 ±5%	5.0 x 3.5	2.5	2.5	P1	S1	S2
RPE5C2A181J2□□A03□	COG	100	180 ±5%	5.0 x 3.5	2.5	5.0	K1	M1	M2
RPE5C2A221J2□□A03□	COG	100	220 ±5%	5.0 x 3.5	2.5	2.5	P1	S1	S2
RPE5C2A221J2□□A03□	COG	100	220 ±5%	5.0 x 3.5	2.5	5.0	K1	M1	M2
RPE5C2A271J2□□A03□	COG	100	270 ±5%	5.0 x 3.5	2.5	2.5	P1	S1	S2
RPE5C2A271J2□□A03□	COG	100	270 ±5%	5.0 x 3.5	2.5	5.0	K1	M1	M2
RPE5C2A331J2□□A03□	COG	100	330 ±5%	5.0 x 3.5	2.5	2.5	P1	S1	S2
RPE5C2A331J2□□A03□	COG	100	330 ±5%	5.0 x 3.5	2.5	5.0	K1	M1	M2
RPE5C2A391J2□□A03□	COG	100	390 ±5%	5.0 x 3.5	2.5	2.5	P1	S1	S2
RPE5C2A391J2□□A03□	COG	100	390 ±5%	5.0 x 3.5	2.5	5.0	K1	M1	M2
RPE5C2A471J2□□A03□	COG	100	470 ±5%	5.0 x 3.5	2.5	2.5	P1	S1	S2
RPE5C2A471J2□□A03□	COG	100	470 ±5%	5.0 x 3.5	2.5	5.0	K1	M1	M2
RPE5C2A561J2□□A03□	COG	100	560 ±5%	5.0 x 3.5	2.5	2.5	P1	S1	S2
RPE5C2A561J2□□A03□	COG	100	560 ±5%	5.0 x 3.5	2.5	5.0	K1	M1	M2
RPE5C2A681J2□□A03□	COG	100	680 ±5%	5.0 x 3.5	2.5	2.5	P1	S1	S2
RPE5C2A681J2□□A03□	COG	100	680 ±5%	5.0 x 3.5	2.5	5.0	K1	M1	M2
RPE5C2A821J2□□A03□	COG	100	820 ±5%	5.0 x 3.5	3.15	2.5	P1	S1	S2
RPE5C2A821J2□□A03□	COG	100	820 ±5%	5.0 x 3.5	3.15	5.0	K1	M1	M2
RPE5C2A102J2□□A03□	COG	100	1000 ±5%	5.0 x 3.5	3.15	2.5	P1	S1	S2
RPE5C2A102J2□□A03□	COG	100	1000 ±5%	5.0 x 3.5	3.15	5.0	K1	M1	M2
RPE5C2A122J2□□A03□	COG	100	1200 ±5%	5.0 x 3.5	3.15	2.5	P1	S1	S2
RPE5C2A122J2□□A03□	COG	100	1200 ±5%	5.0 x 3.5	3.15	5.0	K1	M1	M2
RPE5C2A152J2□□A03□	COG	100	1500 ±5%	5.0 x 3.5	3.15	2.5	P1	S1	S2
RPE5C2A152J2□□A03□	COG	100	1500 ±5%	5.0 x 3.5	3.15	5.0	K1	M1	M2

Two blank columns are filled with the lead style code. Please refer to the 3 columns on the right for the appropriate code.  
 The last blank column is filled with the packaging code. (B: bulk, A: ammo pack)

## High Dielectric Constant Type, X7R Characteristics

Part Number	Temp. Char.	Rated Voltage (Vdc)	Capacitance	Dimensions LxW (mm)	Dimension T (mm)	Lead Space F (mm)	Lead Style Code Bulk	Lead Style Code Taping (1)	Lead Style Code Taping (2)
RPER71E474K2□□A03□	X7R	25	0.47μF ±10%	5.0 x 3.5	3.15	5.0	K1	M1	M2
RPER71E684K2□□C03□	X7R	25	0.68μF ±10%	5.0 x 3.5	3.15	5.0	K1	M1	M2
RPER71E105K2□□C03□	X7R	25	1.0μF ±10%	5.0 x 3.5	3.15	5.0	K1	M1	M2
RPER71E155K3□□C07□	X7R	25	1.5μF ±10%	5.0 x 4.5	3.15	5.0	K1	M1	M2
RPER71E225K3□□C07□	X7R	25	2.2μF ±10%	5.0 x 4.5	3.15	5.0	K1	M1	M2
RPER71H221K2□□A03□	X7R	50	220pF ±10%	5.0 x 3.5	2.5	2.5	P1	S1	S2
RPER71H221K2□□A03□	X7R	50	220pF ±10%	5.0 x 3.5	2.5	5.0	K1	M1	M2
RPER71H331K2□□A03□	X7R	50	330pF ±10%	5.0 x 3.5	2.5	2.5	P1	S1	S2
RPER71H331K2□□A03□	X7R	50	330pF ±10%	5.0 x 3.5	2.5	5.0	K1	M1	M2
RPER71H471K2□□A03□	X7R	50	470pF ±10%	5.0 x 3.5	2.5	2.5	P1	S1	S2
RPER71H471K2□□A03□	X7R	50	470pF ±10%	5.0 x 3.5	2.5	5.0	K1	M1	M2
RPER71H681K2□□A03□	X7R	50	680pF ±10%	5.0 x 3.5	2.5	2.5	P1	S1	S2
RPER71H681K2□□A03□	X7R	50	680pF ±10%	5.0 x 3.5	2.5	5.0	K1	M1	M2
RPER71H102K2□□A03□	X7R	50	1000pF ±10%	5.0 x 3.5	2.5	2.5	P1	S1	S2
RPER71H102K2□□A03□	X7R	50	1000pF ±10%	5.0 x 3.5	2.5	5.0	K1	M1	M2
RPER71H152K2□□A03□	X7R	50	1500pF ±10%	5.0 x 3.5	2.5	2.5	P1	S1	S2
RPER71H152K2□□A03□	X7R	50	1500pF ±10%	5.0 x 3.5	2.5	5.0	K1	M1	M2
RPER71H222K2□□A03□	X7R	50	2200pF ±10%	5.0 x 3.5	2.5	2.5	P1	S1	S2
RPER71H222K2□□A03□	X7R	50	2200pF ±10%	5.0 x 3.5	2.5	5.0	K1	M1	M2
RPER71H332K2□□A03□	X7R	50	3300pF ±10%	5.0 x 3.5	2.5	2.5	P1	S1	S2
RPER71H332K2□□A03□	X7R	50	3300pF ±10%	5.0 x 3.5	2.5	5.0	K1	M1	M2
RPER71H472K2□□A03□	X7R	50	4700pF ±10%	5.0 x 3.5	2.5	2.5	P1	S1	S2
RPER71H472K2□□A03□	X7R	50	4700pF ±10%	5.0 x 3.5	2.5	5.0	K1	M1	M2
RPER71H682K2□□A03□	X7R	50	6800pF ±10%	5.0 x 3.5	2.5	2.5	P1	S1	S2
RPER71H682K2□□A03□	X7R	50	6800pF ±10%	5.0 x 3.5	2.5	5.0	K1	M1	M2
RPER71H103K2□□A03□	X7R	50	10000pF ±10%	5.0 x 3.5	2.5	2.5	P1	S1	S2
RPER71H103K2□□A03□	X7R	50	10000pF ±10%	5.0 x 3.5	2.5	5.0	K1	M1	M2
RPER71H153K2□□A03□	X7R	50	15000pF ±10%	5.0 x 3.5	2.5	2.5	P1	S1	S2
RPER71H153K2□□A03□	X7R	50	15000pF ±10%	5.0 x 3.5	2.5	5.0	K1	M1	M2
RPER71H223K2□□A03□	X7R	50	22000pF ±10%	5.0 x 3.5	2.5	2.5	P1	S1	S2
RPER71H223K2□□A03□	X7R	50	22000pF ±10%	5.0 x 3.5	2.5	5.0	K1	M1	M2
RPER71H333K2□□A03□	X7R	50	33000pF ±10%	5.0 x 3.5	3.15	2.5	P1	S1	S2
RPER71H333K2□□A03□	X7R	50	33000pF ±10%	5.0 x 3.5	3.15	5.0	K1	M1	M2
RPER71H473K2□□A03□	X7R	50	47000pF ±10%	5.0 x 3.5	3.15	2.5	P1	S1	S2
RPER71H473K2□□A03□	X7R	50	47000pF ±10%	5.0 x 3.5	3.15	5.0	K1	M1	M2
RPER71H683K2□□A03□	X7R	50	68000pF ±10%	5.0 x 3.5	3.15	2.5	P1	S1	S2
RPER71H683K2□□A03□	X7R	50	68000pF ±10%	5.0 x 3.5	3.15	5.0	K1	M1	M2
RPER71H104K2□□A03□	X7R	50	0.10μF ±10%	5.0 x 3.5	3.15	2.5	P1	S1	S2
RPER71H104K2□□A03□	X7R	50	0.10μF ±10%	5.0 x 3.5	3.15	5.0	K1	M1	M2
RPER71H154K2□□C03□	X7R	50	0.15μF ±10%	5.0 x 3.5	3.15	2.5	P1	S1	S2
RPER71H154K2□□C03□	X7R	50	0.15μF ±10%	5.0 x 3.5	3.15	5.0	K1	M1	M2
RPER71H224K2□□C03□	X7R	50	0.22μF ±10%	5.0 x 3.5	3.15	2.5	P1	S1	S2
RPER71H224K2□□C03□	X7R	50	0.22μF ±10%	5.0 x 3.5	3.15	5.0	K1	M1	M2
RPER71H334K2□□C03□	X7R	50	0.33μF ±10%	5.0 x 3.5	2.5	2.5	P1	S1	S2
RPER71H334K2□□C03□	X7R	50	0.33μF ±10%	5.0 x 3.5	2.5	5.0	K1	M1	M2
RPER71H474K2□□C03□	X7R	50	0.47μF ±10%	5.0 x 3.5	3.15	2.5	P1	S1	S2
RPER71H474K2□□C03□	X7R	50	0.47μF ±10%	5.0 x 3.5	3.15	5.0	K1	M1	M2
RPER71H684K3□□C03□	X7R	50	0.68μF ±10%	5.0 x 4.5	3.15	2.5	P1	S1	S2
RPER71H684K3□□C03□	X7R	50	0.68μF ±10%	5.0 x 4.5	3.15	5.0	K1	M1	M2
RPER71H105K3□□C07□	X7R	50	1.0μF ±10%	5.0 x 4.5	3.15	2.5	P1	S1	S2
RPER71H105K3□□C07□	X7R	50	1.0μF ±10%	5.0 x 4.5	3.15	5.0	K1	M1	M2
RPER71H155K8□□C03□	X7R	50	1.5μF ±10%	7.5 x 5.5	4.0	5.0	K1	M1	M2
RPER71H225K8□□C03□	X7R	50	2.2μF ±10%	7.5 x 5.5	4.0	5.0	K1	M1	M2
RPER71H335K5□□C03□	X7R	50	3.3μF ±10%	7.5 x 7.5	5.0	5.0	B1	E1	E2

Continued on the following page. 

Continued from the preceding page.

Part Number	Temp. Char.	Rated Voltage (Vdc)	Capacitance	Dimensions LxW (mm)	Dimension T (mm)	Lead Space F (mm)	Lead Style Code Bulk	Lead Style Code Taping (1)	Lead Style Code Taping (2)
RPER71H475K5□□C03□	X7R	50	4.7μF ±10%	7.5 x 7.5	4.0	5.0	B1	E1	E2
RPER72A221K2□□B03□	X7R	100	220pF ±10%	5.0 x 3.5	2.5	2.5	P1	S1	S2
RPER72A221K2□□B03□	X7R	100	220pF ±10%	5.0 x 3.5	2.5	5.0	K1	M1	M2
RPER72A331K2□□B03□	X7R	100	330pF ±10%	5.0 x 3.5	2.5	2.5	P1	S1	S2
RPER72A331K2□□B03□	X7R	100	330pF ±10%	5.0 x 3.5	2.5	5.0	K1	M1	M2
RPER72A471K2□□B03□	X7R	100	470pF ±10%	5.0 x 3.5	2.5	2.5	P1	S1	S2
RPER72A471K2□□B03□	X7R	100	470pF ±10%	5.0 x 3.5	2.5	5.0	K1	M1	M2
RPER72A681K2□□B03□	X7R	100	680pF ±10%	5.0 x 3.5	2.5	2.5	P1	S1	S2
RPER72A681K2□□B03□	X7R	100	680pF ±10%	5.0 x 3.5	2.5	5.0	K1	M1	M2
RPER72A102K2□□A03□	X7R	100	1000pF ±10%	5.0 x 3.5	2.5	2.5	P1	S1	S2
RPER72A102K2□□A03□	X7R	100	1000pF ±10%	5.0 x 3.5	2.5	5.0	K1	M1	M2
RPER72A152K2□□A03□	X7R	100	1500pF ±10%	5.0 x 3.5	2.5	2.5	P1	S1	S2
RPER72A152K2□□A03□	X7R	100	1500pF ±10%	5.0 x 3.5	2.5	5.0	K1	M1	M2
RPER72A222K2□□A03□	X7R	100	2200pF ±10%	5.0 x 3.5	2.5	2.5	P1	S1	S2
RPER72A222K2□□A03□	X7R	100	2200pF ±10%	5.0 x 3.5	2.5	5.0	K1	M1	M2
RPER72A332K2□□A03□	X7R	100	3300pF ±10%	5.0 x 3.5	2.5	2.5	P1	S1	S2
RPER72A332K2□□A03□	X7R	100	3300pF ±10%	5.0 x 3.5	2.5	5.0	K1	M1	M2
RPER72A472K2□□A03□	X7R	100	4700pF ±10%	5.0 x 3.5	2.5	2.5	P1	S1	S2
RPER72A472K2□□A03□	X7R	100	4700pF ±10%	5.0 x 3.5	2.5	5.0	K1	M1	M2
RPER72A682K2□□A03□	X7R	100	6800pF ±10%	5.0 x 3.5	2.5	2.5	P1	S1	S2
RPER72A682K2□□A03□	X7R	100	6800pF ±10%	5.0 x 3.5	2.5	5.0	K1	M1	M2
RPER72A103K2□□A03□	X7R	100	10000pF ±10%	5.0 x 3.5	3.15	2.5	P1	S1	S2
RPER72A103K2□□A03□	X7R	100	10000pF ±10%	5.0 x 3.5	3.15	5.0	K1	M1	M2
RPER72A153K2□□A03□	X7R	100	15000pF ±10%	5.0 x 3.5	3.15	2.5	P1	S1	S2
RPER72A153K2□□A03□	X7R	100	15000pF ±10%	5.0 x 3.5	3.15	5.0	K1	M1	M2
RPER72A223K2□□A03□	X7R	100	22000pF ±10%	5.0 x 3.5	3.15	2.5	P1	S1	S2
RPER72A223K2□□A03□	X7R	100	22000pF ±10%	5.0 x 3.5	3.15	5.0	K1	M1	M2
RPER72A333K2□□C03□	X7R	100	33000pF ±10%	5.0 x 3.5	3.15	2.5	P1	S1	S2
RPER72A333K2□□C03□	X7R	100	33000pF ±10%	5.0 x 3.5	3.15	5.0	K1	M1	M2
RPER72A473K2□□C03□	X7R	100	47000pF ±10%	5.0 x 3.5	3.15	2.5	P1	S1	S2
RPER72A473K2□□C03□	X7R	100	47000pF ±10%	5.0 x 3.5	3.15	5.0	K1	M1	M2
RPER72A683K3□□C07□	X7R	100	68000pF ±10%	5.0 x 4.5	3.15	2.5	P1	S1	S2
RPER72A683K3□□C07□	X7R	100	68000pF ±10%	5.0 x 4.5	3.15	5.0	K1	M1	M2
RPER72A104K3□□C07□	X7R	100	0.10μF ±10%	5.0 x 4.5	3.15	2.5	P1	S1	S2
RPER72A104K3□□C07□	X7R	100	0.10μF ±10%	5.0 x 4.5	3.15	5.0	K1	M1	M2
RPER72A154K8□□C03□	X7R	100	0.15μF ±10%	7.5 x 5.5	4.0	5.0	K1	M1	M2
RPER72A224K8□□C03□	X7R	100	0.22μF ±10%	7.5 x 5.5	4.0	5.0	K1	M1	M2
RPER72A334K5□□C03□	X7R	100	0.33μF ±10%	7.5 x 7.5	4.0	5.0	B1	E1	E2
RPER72A474K8□□C03□	X7R	100	0.47μF ±10%	7.5 x 5.5	4.0	5.0	K1	M1	M2
RPER72A684K6□□F14□	X7R	100	0.68μF ±10%	10.0 x 10.0	4.0	5.0	B1	E1	E2
RPER72A105K5□□C03□	X7R	100	1.0μF ±10%	7.5 x 7.5	4.0	5.0	B1	E1	E2
RPER72A155K7□□F03□	X7R	100	1.5μF ±10%	12.5 x 12.5	5.0	10.0	C1	-	-
RPER72A225K7□□F03□	X7R	100	2.2μF ±10%	12.5 x 12.5	5.0	10.0	C1	-	-

Two blank columns are filled with the lead style code. Please refer to the 3 columns on the right for the appropriate code.  
 The last blank column is filled with the packaging code. (B: bulk, A: ammo pack)

### High Dielectric Constant Type, Y5V Characteristics

Part Number	Temp. Char.	Rated Voltage (Vdc)	Capacitance	Dimensions LxW (mm)	Dimension T (mm)	Lead Space F (mm)	Lead Style Code Bulk	Lead Style Code Taping (1)	Lead Style Code Taping (2)
RPEF51H102Z2□□A03□	Y5V	50	1000pF +80/-20%	5.0 x 3.5	2.5	2.5	P1	S1	S2
RPEF51H102Z2□□A03□	Y5V	50	1000pF +80/-20%	5.0 x 3.5	2.5	5.0	K1	M1	M2
RPEF51H222Z2□□A03□	Y5V	50	2200pF +80/-20%	5.0 x 3.5	2.5	2.5	P1	S1	S2
RPEF51H222Z2□□A03□	Y5V	50	2200pF +80/-20%	5.0 x 3.5	2.5	5.0	K1	M1	M2
RPEF51H472Z2□□A03□	Y5V	50	4700pF +80/-20%	5.0 x 3.5	2.5	2.5	P1	S1	S2
RPEF51H472Z2□□A03□	Y5V	50	4700pF +80/-20%	5.0 x 3.5	2.5	5.0	K1	M1	M2

Continued on the following page. ↗

Continued from the preceding page.

Part Number	Temp. Char.	Rated Voltage (Vdc)	Capacitance	Dimensions LxW (mm)	Dimension T (mm)	Lead Space F (mm)	Lead Style Code Bulk	Lead Style Code Taping (1)	Lead Style Code Taping (2)
RPEF51H103Z2□□A03□	Y5V	50	10000pF +80/-20%	5.0 x 3.5	2.5	2.5	P1	S1	S2
RPEF51H103Z2□□A03□	Y5V	50	10000pF +80/-20%	5.0 x 3.5	2.5	5.0	K1	M1	M2
RPEF51H223Z2□□A03□	Y5V	50	22000pF +80/-20%	5.0 x 3.5	2.5	2.5	P1	S1	S2
RPEF51H223Z2□□A03□	Y5V	50	22000pF +80/-20%	5.0 x 3.5	2.5	5.0	K1	M1	M2
RPEF51H473Z2□□A03□	Y5V	50	47000pF +80/-20%	5.0 x 3.5	2.5	2.5	P1	S1	S2
RPEF51H473Z2□□A03□	Y5V	50	47000pF +80/-20%	5.0 x 3.5	2.5	5.0	K1	M1	M2
RPEF51H104Z2□□A03□	Y5V	50	0.10μF +80/-20%	5.0 x 3.5	2.5	2.5	P1	S1	S2
RPEF51H104Z2□□A03□	Y5V	50	0.10μF +80/-20%	5.0 x 3.5	2.5	5.0	K1	M1	M2
RPEF51H224Z2□□A03□	Y5V	50	0.22μF +80/-20%	5.0 x 3.5	3.15	2.5	P1	S1	S2
RPEF51H224Z2□□A03□	Y5V	50	0.22μF +80/-20%	5.0 x 3.5	3.15	5.0	K1	M1	M2
RPEF51H474Z2□□C03□	Y5V	50	0.47μF +80/-20%	5.0 x 3.5	3.15	2.5	P1	S1	S2
RPEF51H474Z2□□C03□	Y5V	50	0.47μF +80/-20%	5.0 x 3.5	3.15	5.0	K1	M1	M2

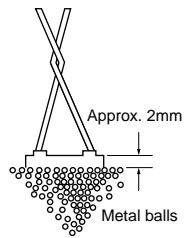
Two blank columns are filled with the lead style code. Please refer to the 3 columns on the right for the appropriate code.

The last blank column is filled with the packaging code. (B: bulk, A: ammo pack)



# Specifications and Test Methods

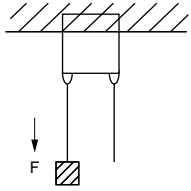
No.	Item		Specifications		Test Method												
			Temperature Compensating Type	High Dielectric Constant Type													
1	Operating Temperature Range		-55 to +125°C	Char. X7R : -55 to +125°C Char. Y5V : -30 to +85°C	-												
2	Rated Voltage		See previous pages		The rated voltage is defined as the maximum voltage that may be applied continuously to the capacitor. When AC voltage is superimposed on DC voltage, $V_{P-P}$ or $V_{0-P}$ , whichever is larger, should be maintained within the rated voltage range.												
3	Appearance		No defects or abnormalities		Visual inspection												
4	Dimension and Marking		See previous pages		Visual inspection, Vernier Caliper												
5	Dielectric Strength	Between Terminals	No defects or abnormalities		The capacitors should not be damaged when DC voltages of 300%* of the rated voltage are applied between the terminals for 1 to 5 sec. (Charge/Discharge current $\leq 50\text{mA}$ ) *250% for char. X7R, Y5V  The capacitor is placed in a container with metal balls of 1mm diameter so that each terminal, short-circuited, is kept approximately 2mm from the balls as shown in the figure, and 250% of the rated DC voltage is impressed for 1 to 5 sec. between capacitor terminals and metal balls. (Charge/Discharge current $\leq 50\text{mA}$ )												
		Body Insulation	No defects or abnormalities														
6	Insulation Resistance	Between Terminals	$C \leq 0.047\mu\text{F}$ : 10,000M $\Omega$ min. $C > 0.047\mu\text{F}$ : 500M $\Omega \cdot \mu\text{F}$ min. C : Nominal capacitance		The insulation resistance should be measured with a DC voltage not exceeding the rated voltage at normal temperature and humidity and within 2 min. of charging. (Charge/Discharge current $\leq 50\text{mA}$ )												
7	Capacitance		Within the specified tolerance		The capacitance, Q/D.F. should be measured at 25°C at the frequency and voltage shown in the table.												
8	Q/Dissipation Factor (D.F.)		30pF min. : $Q \geq 1,000$ 30pF max. : $Q \geq 400+20C$ C : Nominal capacitance (pF)	Char. X7R : 0.025 max. Char. Y5V : 0.05 max.	<table border="1" style="width: 100%; border-collapse: collapse; text-align: center;"> <thead> <tr> <th>Capacitance Item</th> <th>1000pF and below</th> <th>more than 1000pF</th> </tr> </thead> <tbody> <tr> <td>Frequency</td> <td>1<math>\pm</math>0.1MHz</td> <td>1<math>\pm</math>0.1kHz</td> </tr> <tr> <td>Voltage</td> <td>AC0.5 to 5V (r.m.s.)</td> <td>AC1<math>\pm</math>0.2V (r.m.s.)</td> </tr> </tbody> </table>	Capacitance Item	1000pF and below	more than 1000pF	Frequency	1 $\pm$ 0.1MHz	1 $\pm$ 0.1kHz	Voltage	AC0.5 to 5V (r.m.s.)	AC1 $\pm$ 0.2V (r.m.s.)			
Capacitance Item	1000pF and below	more than 1000pF															
Frequency	1 $\pm$ 0.1MHz	1 $\pm$ 0.1kHz															
Voltage	AC0.5 to 5V (r.m.s.)	AC1 $\pm$ 0.2V (r.m.s.)															
9	Capacitance Temperature Characteristics	Capacitance Change	Within the specified tolerance (Table A on last column)	Within the specified tolerance (Table B on last column)	The capacitance change should be measured after 5 min. at each specified temperature stage. (1) Temperature Compensating Type The temperature coefficient is determined using the capacitance measured in step 3 as a reference. When cycling the temperature sequentially from step 1 through 5 (-55 to +125°C) the capacitance should be within the specified tolerance for the temperature coefficient and capacitance change as shown in Table A. The capacitance drift is calculated by dividing the differences between the maximum and minimum measured values in step 1, 3 and 5 by the cap. value in step 3.  <table border="1" style="width: 100%; border-collapse: collapse; text-align: center;"> <thead> <tr> <th>Step</th> <th>Temperature (°C)</th> </tr> </thead> <tbody> <tr> <td>1</td> <td>25<math>\pm</math>2</td> </tr> <tr> <td>2</td> <td>-55<math>\pm</math>3</td> </tr> <tr> <td>3</td> <td>25<math>\pm</math>2</td> </tr> <tr> <td>4</td> <td>125<math>\pm</math>3</td> </tr> <tr> <td>5</td> <td>25<math>\pm</math>2</td> </tr> </tbody> </table> (2) High Dielectric Constant Type The ranges of capacitance change compared with the 25°C value over the temperature ranges as shown in Table B should be within the specified ranges.	Step	Temperature (°C)	1	25 $\pm$ 2	2	-55 $\pm$ 3	3	25 $\pm$ 2	4	125 $\pm$ 3	5	25 $\pm$ 2
		Step	Temperature (°C)														
	1	25 $\pm$ 2															
2	-55 $\pm$ 3																
3	25 $\pm$ 2																
4	125 $\pm$ 3																
5	25 $\pm$ 2																
Temperature Coefficient	Within the specified tolerance (Table A on last column)																
	Capacitance Drift	Within $\pm 0.2\%$ or $\pm 0.05\text{pF}$ , whichever is larger															



Continued on the following page.

# Specifications and Test Methods

Continued from the preceding page.

No.	Item	Specifications		Test Method	
		Temperature Compensating Type	High Dielectric Constant Type		
10	Terminal Strength	Tensile Strength	Termination not to be broken or loosened		As in the figure, fix the capacitor body, apply the force gradually to each lead in the radial direction of the capacitor until reaching 10N and then keep the force applied for 10±1 sec. 
		Bending Strength	Termination not to be broken or loosened		
11	Vibration Resistance	Appearance	No defects or abnormalities		The capacitor is soldered securely to a supporting terminal and a 10 to 55Hz vibration of 1.5mm peak-peak amplitude is applied for 6 hrs. total, 2 hrs. in each mutually perpendicular direction. Allow 1 min. to cycle the frequency from 10Hz to 55Hz and the converse.
		Capacitance	Within the specified tolerance		
		Q/D.F.	30pF min. : $Q \geq 1,000$ 30pF max. : $Q \geq 400+20C$ C : Nominal capacitance (pF)	Char. X7R : 0.025 max. Char. Y5V : 0.05 max.	
12	Solderability of Leads	Lead wire should be soldered with uniform coating on the axial direction over 3/4 of the circumferential direction.		The terminal of a capacitor is dipped into a 25% ethanol (JIS-K-8101) solution of rosin (JIS-K-5902) and then into molten solder for 2±0.5 sec. In both cases the depth of dipping is up to about 1.5mm to 2mm from the terminal body. Temp. of solder: 245±5°C Lead Free Solder (Sn-3.0Ag-0.5Cu) 235±5°C H60A or H63A Eutectic Solder	
13	Resistance to Soldering Heat	Appearance	No defects or abnormalities		The lead wire is immersed in the melted solder 1.5mm to 2mm from the main body at 350±10°C for 3.5±0.5 sec. The specified items are measured after 24±2 hrs. (temperature compensating type) or 48±4 hrs. (high dielectric type). • Initial measurement for high dielectric constant type The capacitors are heat treated for 1 hr. at 150±10°C, allowed to set at room temperature for 48±4 hrs., and given an initial measurement.
		Capacitance Change	Within ±2.5% or ±0.25pF (whichever is larger)	Char. X7R : Within ±7.5% Char. Y5V : Within ±20%	
		Dielectric Strength (Between Terminals)	No defects		
14	Temperature and Immersion Cycle	Appearance	No defects or abnormalities		First, repeat the following temperature/time cycle 5 times: >> lowest operating temperature ±3°C/30±3 min. >> ordinary temperature/3 min. max. >> highest operating temperature ±3°C/30±3 min. >> ordinary temperature/3 min. max. Next, repeat twice the successive cycles of immersion, each cycle consisting of immersion in a fresh water at 65±3°C for 15 min. and immersion in a saturated aqueous solution of salt at 0±3°C for 15 min. The capacitor is then promptly washed in running water, dried with a drying cloth, and allowed to sit at room temperature for 24±2 hrs. (temperature compensating type) or 48±4 hrs. (high dielectric type). • Initial measurement for high dielectric constant type The capacitors are heat treated for 1 hr. at 150±10°C, allowed to sit at room temperature for 48±4 hrs., and given an initial measurement.
		Capacitance Change	Within ±5% or ±0.5pF (whichever is larger)	Char. X7R : Within ±12.5% Char. Y5V : Within ±30%	
		Q/D.F.	30pF min. : $Q \geq 350$ 10pF to 30pF : $Q \geq 275+5C/2$ 10pF max. : $Q \geq 200+10C$ C : Nominal capacitance (pF)	Char. X7R : 0.05 max. Char. Y5V : 0.075 max.	
		Insulation Resistance	1,000MΩ or 50MΩ • μF min. (whichever is smaller)		
		Dielectric Strength (Between Terminals)	No defects or abnormalities		

Continued on the following page. 



# Specifications and Test Methods

Continued from the preceding page.

No.	Item	Specifications		Test Method	
		Temperature Compensating Type	High Dielectric Constant Type		
15	Humidity (Steady State)	Appearance	No defects or abnormalities		Set the capacitor for 500 $\pm 24_0$ hrs. at 40 $\pm 2^\circ$ C in 90 to 95% humidity. Remove and set for 24 $\pm 2$ hrs. (temperature compensating type) and 48 $\pm 4$ hrs. (high dielectric constant type) at room temperature, then measure.
		Capacitance Change	Within $\pm 5\%$ or $\pm 0.5\text{pF}$ (whichever is larger)	Char. X7R : Within $\pm 12.5\%$ Char. Y5V : Within $\pm 30\%$	
		Q/D.F.	30pF min. : $Q \geq 350$ 10pF to 30pF : $Q \geq 275+5C/2$ 10pF max. : $Q \geq 200+10C$ C : Nominal capacitance (pF)	Char. X7R : 0.05 max. Char. Y5V : 0.075 max.	
		Insulation Resistance	1,000M $\Omega$ or 50M $\Omega$ $\cdot$ $\mu\text{F}$ min. (whichever is smaller)		
16	Humidity Load	Appearance	No defects or abnormalities		Apply the rated voltage for 500 $\pm 24_0$ hrs. at 40 $\pm 2^\circ$ C and in 90 to 95% humidity. Remove and set for 24 $\pm 2$ hrs. (temperature compensating type) and 48 $\pm 4$ hrs. (high dielectric constant type) at room temperature, then measure. (Charge/Discharge current $\leq 50\text{mA}$ )
		Capacitance Change	Within $\pm 7.5\%$ or $\pm 0.75\text{pF}$ (whichever is larger)	Char. X7R : Within $\pm 12.5\%$ Char. Y5V : Within $\pm 30\%$	
		Q/D.F.	30pF min. : $Q \geq 200$ 30pF max. : $Q \geq 100+10C/3$ C : Nominal capacitance (pF)	Char. X7R : 0.05 max. Char. Y5V : 0.075 max.	
		Insulation Resistance	500M $\Omega$ or 25M $\Omega$ $\cdot$ $\mu\text{F}$ min. (whichever is smaller)		
17	High Temperature Load	Appearance	No defects or abnormalities		Apply 200% of the rated voltage for 1000 $\pm 48_0$ hrs. at the maximum operating temperature. Remove and set for 24 $\pm 2$ hrs. (temperature compensating type) and 48 $\pm 4$ hrs. (high dielectric constant type) at room temperature, then measure. (Charge/Discharge current $\leq 50\text{mA}$ )  • Initial measurement for high dielectric constant type A voltage treatment should be given to the capacitor in which a DC voltage of 200% of the rated voltage is applied for 1 hr. at the maximum operating temperature $\pm 3^\circ\text{C}$ . Then set for 48 $\pm 4$ hrs. at room temperature and conduct initial measurement.
		Capacitance Change	Within $\pm 3\%$ or $\pm 0.3\text{pF}$ (whichever is larger)	Char. X7R : Within $\pm 12.5\%$ Char. Y5V : Within $\pm 30\%$	
		Q/D.F.	30pF min. : $Q \geq 350$ 10pF to 30pF : $Q \geq 275+5C/2$ 10pF max. : $Q \geq 200+10C$ C : Nominal capacitance (pF)	Char. X7R : 0.04 max. Char. Y5V : 0.075 max.	
		Insulation Resistance	1,000M $\Omega$ or 50M $\Omega$ $\cdot$ $\mu\text{F}$ min. (whichever is smaller)		
18	Solvent Resistance	Appearance	No defects or abnormalities		The capacitor should be fully immersed, unagitated, in reagent at 20 to 25 $^\circ\text{C}$ for 30 $\pm 5$ sec. and then removed gently. Marking on the surface of the capacitor should immediately be visually examined. Reagent: • Isopropyl alcohol
		Marking	Legible		

Table A

Char.	Nominal Values (ppm/ $^\circ\text{C}$ ) *1	Capacitance Change from 25 $^\circ\text{C}$ (%)					
		-55 $^\circ\text{C}$		-30 $^\circ\text{C}$		-10 $^\circ\text{C}$	
		Max.	Min.	Max.	Min.	Max.	Min.
<b>C0G</b>	0 $\pm 30$	0.58	-0.24	0.40	-0.17	0.25	-0.11

\*1: Nominal values denote the temperature coefficient within a range of 25 to 125 $^\circ\text{C}$

Table B

Char.	Temp. Range	Reference Temp.	Cap. Change Rate
<b>X7R</b>	-55 to +125 $^\circ\text{C}$	25 $^\circ\text{C}$	Within $\pm 15\%$
<b>Y5V</b>	-30 to + 85 $^\circ\text{C}$		Within $\pm 22_8\%$

# Radial Lead Type Monolithic Ceramic Capacitors



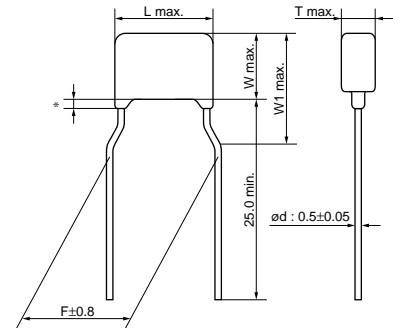
## RPE Series Small Size, Large Capacitance (DC50V)

### ■ Features

1. The RPE series capacitors have small dimensions, large capacitance, and a capacity volume ratio of 10 micro F/cm cubed, close to that of electrolytic capacitors. They do not have polarity.
2. Excellent frequency characteristics and due to their small internal inductance are suitable for high frequencies.
3. They are not coated with wax so there is no change in their exterior appearance due to the outflow of wax during soldering or solvent during cleansing.
4. They are highly nonflammable, having characteristics equivalent to the UL94V-0 standard.
5. We design capacitors in much more compact size than current RPE Series, having reduced the diameter by 70% max.



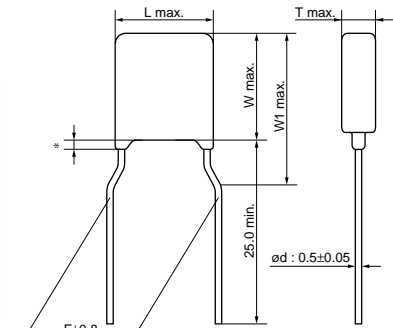
Dimensions code: 2/3  
 Lead style code: K1



\* Coating extension does not exceed the end of the lead bend.  
 • Lead Wire : Solder Coated Copper Wire or Solder Coated CP Wire (in mm)



Dimensions code: W  
 Lead style code: K1



\* Coating extension does not exceed the end of the lead bend.  
 • Lead Wire : Solder Coated Copper Wire or Solder Coated CP Wire (in mm)


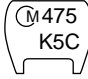
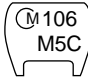

### ■ Dimensions

Dimensions and Lead Style Code	Dimensions (mm)					
	L	W	W1	T	F	d
2K1/2M1	5.5	4.0	6.0	Depends on Part Number List	5.0	0.5
3K1/3M1	5.5	5.0	7.5		5.0	0.5
WK1/WM1	5.5	7.5	10.0		5.0	0.5

Continued on the following page.

Continued from the preceding page.

**Marking**

Dimensions Code	Rated Voltage	DC50V
	Temp. Char.	X7R
2		
3		
W		
Temperature Characteristics		Marked with code (X7R char.: C)
Nominal Capacitance		Marked with 3 figures
Capacitance Tolerance		Marked with code
Rated Voltage		Marked with code (DC50V: 5)
Manufacturer's Identification		Marked with 

**High Dielectric Constant Type, X7R Characteristics**

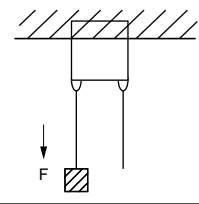
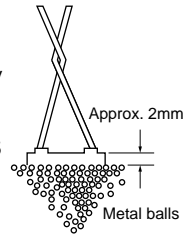
Part Number	Temp. Char.	Rated Voltage (Vdc)	Capacitance (μF)	Dimensions LxW (mm)	Dimension T (mm)	Lead Space F (mm)	Lead Style Code Bulk	Lead Style Code Taping (1)	Lead Style Code Taping (2)
RPER71H105K2□□C60□	X7R	50	1.0 ±10%	5.5 x 4.0	3.15	5.0	K1	M1	-
RPER71H155K2□□C60□	X7R	50	1.5 ±10%	5.5 x 4.0	3.15	5.0	K1	M1	-
RPER71H225K2□□C60□	X7R	50	2.2 ±10%	5.5 x 4.0	3.15	5.0	K1	M1	-
RPER71H335K3□□C60□	X7R	50	3.3 ±10%	5.5 x 5.0	4.0	5.0	K1	M1	-
RPER71H475K3□□C60□	X7R	50	4.7 ±10%	5.5 x 5.0	4.0	5.0	K1	M1	-
RPER71H106MW□□C60□	X7R	50	10 ±20%	5.5 x 7.5	4.0	5.0	K1	M1	-

Two blank columns are filled with the lead style code. Please refer to the 3 columns on the right for the appropriate code.  
 The last blank column is filled with the packaging code. (B: bulk, A: ammo pack)

## Specifications and Test Methods

2

No.	Item	Specifications	Test Method												
1	Operating Temperature Range	-55 to +125°C	-												
2	Appearance	No defects or abnormalities	Visual inspection												
3	Dimension and Marking	See previous pages	Visual inspection, Vernier Caliper												
4	Dielectric Strength	Between Terminals	No defects or abnormalities  The capacitor should not be damaged when DC voltage of 250% of the rated voltage is applied between the terminations for 1 to 5 sec. (Charge/Discharge current ≤ 50mA)												
		Body Insulation	No defects or abnormalities  The capacitor is placed in a container with metal balls of 1mm diameter so that each terminal, short-circuit, is kept approximately 2mm from the balls as shown in the figure, and 250% of the rated DC voltage is impressed for 1 to 5 sec. between capacitor terminals and metal balls. (Charge/Discharge current ≤ 50mA)												
5	Insulation Resistance	Between Terminals 500MΩ · μF min.	The insulation resistance should be measured with a DC voltage not exceeding the rated voltage at normal temperature and humidity and within 2 min. of charging. (Charge/Discharge current ≤ 50mA)												
6	Capacitance	Within the specified tolerance	The capacitance/D.F. should be measured at the frequency of 1±0.1kHz and a voltage of AC1±0.2V(r.m.s.)												
7	Dissipation Factor (D.F.)	0.025 max.	The capacitance change should be measured after 5 min. at each specified temperature stage.												
8	Capacitance Temperature Characteristics	Within ±15%	<table border="1" style="width: 100%; border-collapse: collapse; text-align: center;"> <thead> <tr> <th style="width: 20%;">Step</th> <th style="width: 80%;">Temperature (°C)</th> </tr> </thead> <tbody> <tr><td>1</td><td>25±2</td></tr> <tr><td>2</td><td>-55±3</td></tr> <tr><td>3</td><td>25±2</td></tr> <tr><td>4</td><td>125±3</td></tr> <tr><td>5</td><td>25±2</td></tr> </tbody> </table>	Step	Temperature (°C)	1	25±2	2	-55±3	3	25±2	4	125±3	5	25±2
			Step	Temperature (°C)											
1	25±2														
2	-55±3														
3	25±2														
4	125±3														
5	25±2														
9	Terminal Strength	Tensile Strength	Termination not to be broken or loosened  As in the figure, fix the capacitor body, apply the force gradually to each lead in the radial direction of the capacitor until reaching 10N and then keep the force applied for 10±1 sec.												
		Bending Strength	Termination not to be broken or loosened  Each lead wire should be subjected to a force of 2.5N and then bent 90° at the point of egress in one direction. Each wire is then returned to the original position and bent 90° in the opposite direction at the rate of one bend per 2 to 3 sec.												
10	Vibration Resistance	Appearance	The capacitor should be firmly soldered to the supporting lead wire and vibrated at a frequency range of 10 to 55Hz, 1.5mm in total amplitude, with about a 1 minute rate of vibration change from 10Hz to 55Hz and back to 10Hz. Apply for a total of 6 hrs., 2 hrs. each in 3 mutually perpendicular directions.												
		Capacitance													
		D.F.													



Continued on the following page. ↗

## Specifications and Test Methods

Continued from the preceding page.

No.	Item	Specifications	Test Method	
11	Solderability of Leads	Lead wire should be soldered with uniform coating on the axial direction over 3/4 of the circumferential direction.	The terminal of a capacitor is dipped into a solution of ethanol (JIS-K-8101) and rosin (JIS-K-5902) (25% rosin in weight proportion) and then into molten solder (JIS-Z-3282) for 2±0.5 sec. In both cases the depth of dipping is up to about 1.5 to 2mm from the terminal body. Temp. of solder: 245±5°C Lead Free Solder (Sn-3.0Ag-0.5Cu) 235±5°C H60A or H63A Eutectic Solder	
12	Resistance to Soldering Heat	Appearance	No defects or abnormalities	
		Capacitance Change		Within ±7.5%
		Dielectric Strength (Between Terminals)		No defects
13	Temperature Cycle	Appearance	No defects or abnormalities	
		Capacitance Change		Within ±12.5%
		D.F.		0.05 max.
		Insulation Resistance		50MΩ · μF min.
		Dielectric Strength (Between Terminals)		No defects or abnormalities
14	Humidity (Steady State)	Appearance	No defects or abnormalities	
		Capacitance Change		Within ±12.5%
		D.F.		0.05 max.
		Insulation Resistance		50MΩ · μF min.
15	Humidity Load	Appearance	No defects or abnormalities	
		Capacitance Change		Within ±12.5%
		D.F.		0.05 max.
		Insulation Resistance		50MΩ · μF min.
16	High Temperature Load	Appearance	No defects or abnormalities	
		Capacitance Change		Within ±12.5%
		D.F.		0.04 max.
		Insulation Resistance		50MΩ · μF min.
17	Solvent Resistance	Appearance	No defects or abnormalities	
		Marking		Legible

Step	Temperature (°C)	Time (min)
1	-55±3	30±3
2	Room Temp.	3 max.
3	125±3	30±3
4	Room Temp.	3 max.

# Radial Lead Type Monolithic Ceramic Capacitors

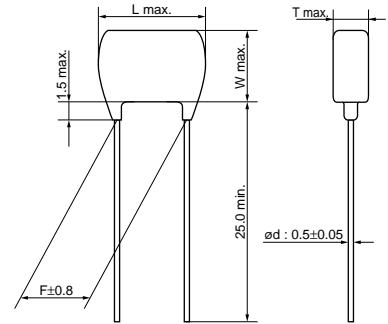


## RH Series 150°C max. (for Automotive) (DC50V-DC100V)

### ■ Features

1. Small size and large capacitance
2. Low ESR and ESL suitable for high frequency
3. Applied maximum temperature up to 150 deg. C  
 Note: Maximum accumulative time to 150 deg. C is within 2000 hours.
4. Coated with epoxy (LxW=4.0x3.5mm) or silicone (LxW=4.0x3.5mm over) resin which is suitable for heat cycle.
5. The RH series meet AEC-Q200 requirements.

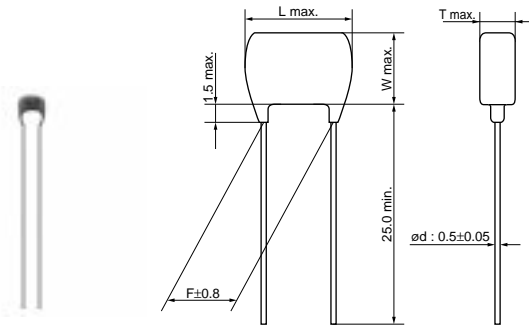
3



Dimensions code: 1  
 Lead style code: A2

• Lead Wire : Solder Coated Copper Wire or Solder Coated CP Wire

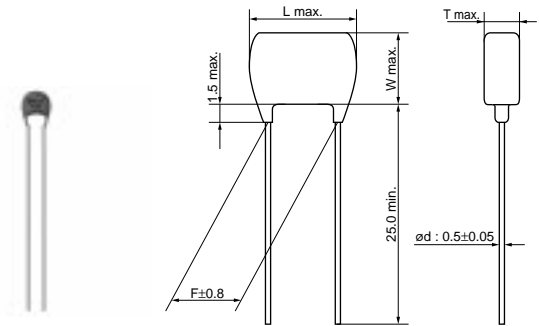
(in mm)



Dimensions code: 2  
 Lead style code: A2

• Lead Wire : Solder Coated Copper Wire or Solder Coated CP Wire

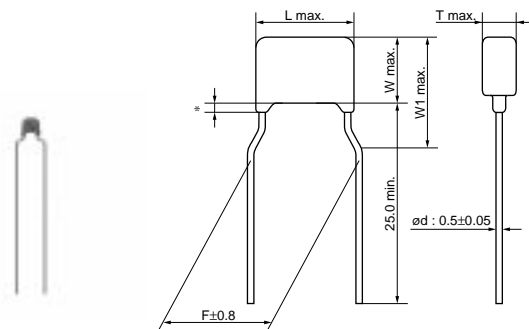
(in mm)



Dimensions code: 3  
 Lead style code: A2

• Lead Wire : Solder Coated Copper Wire or Solder Coated CP Wire

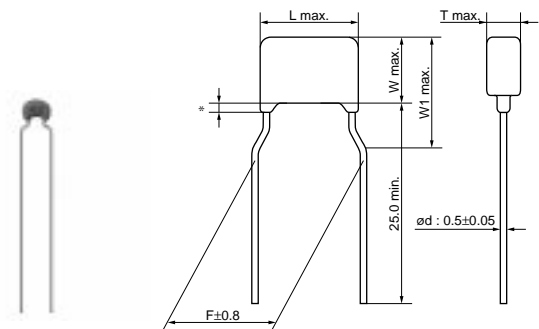
(in mm)



Dimensions code: 1  
 Lead style code: K1

\* Coating extension does not exceed the end of the lead bend.  
 • Lead Wire : Solder Coated Copper Wire or Solder Coated CP Wire

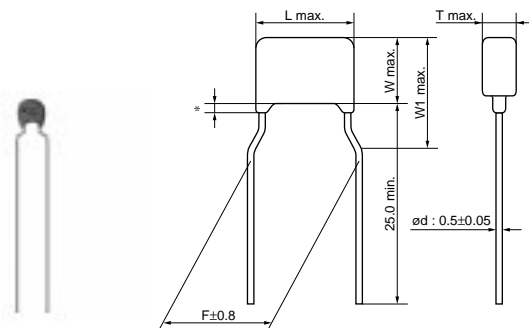
(in mm)



Dimensions code: 2  
 Lead style code: K1

\* Coating extension does not exceed the end of the lead bend.  
 • Lead Wire : Solder Coated Copper Wire or Solder Coated CP Wire

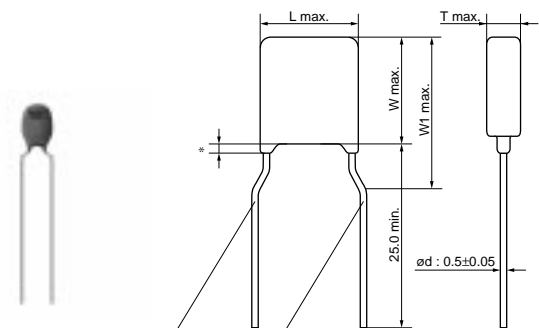
(in mm)



Dimensions code: 3  
 Lead style code: K1

\* Coating extension does not exceed the end of the lead bend.  
 • Lead Wire : Solder Coated Copper Wire or Solder Coated CP Wire

(in mm)



Dimensions code: W  
 Lead style code: K1

\* Coating extension does not exceed the end of the lead bend.  
 • Lead Wire : Solder Coated Copper Wire or Solder Coated CP Wire

(in mm)

Continued on the following page. ↗

Continued from the preceding page.

## ■ Dimensions

Dimensions and Lead Style Code	Dimensions (mm)					
	L	W	W1	T	F	d
1A2/1DB	4.0	3.5	-	See the individual product specifications	2.5	0.5
1K1/1M1	4.0	3.5	5.0		5.0	0.5
2A2/2DB	5.7	4.5	-		2.5	0.5
2K1/2M1	5.7	4.5	7.0		5.0	0.5
3A2/3DB	6.0	5.5	-		2.5	0.5
3K1/3M1	6.0	5.5	7.5		5.0	0.5
WK1/WM1	6.0	8.0	10.0		5.0	0.5

3

## ■ Marking

Dimensions Code	Type	Temperature Compensating Type	High Dielectric Constant Type	
	Rated Voltage	DC50V, DC100V	DC50V	DC100V
	Temp. Char.	X8G	X8L	
1				
2		—		
3, W		—		—
Temperature Characteristics		Marked with code (X8G, X8L char.: 8)		
Nominal Capacitance		Marked with 3 figures		
Capacitance Tolerance		Marked with code		
Rated Voltage		Marked with code (DC50V: 5, DC100V: 1) A part is omitted (Please refer to the marking example.)		
Manufacturer's Identification		Marked with A part is omitted (Please refer to the marking example.)		

## Temperature Compensating Type, X8G Characteristics

Part Number	Temp. Char.	Rated Voltage (Vdc)	Capacitance (pF)	Dimensions LxW (mm)	Dimension T (mm)	Lead Space F (mm)	Lead Style Code Bulk	Lead Style Code Taping (1)	Lead Style Code Taping (2)
RHE5G1H101J1□□A03□	X8G	50	100 ±5%	4.0 x 3.5	2.5	2.5	A2	DB	-
RHE5G1H101J1□□A03□	X8G	50	100 ±5%	4.0 x 3.5	2.5	5.0	K1	M1	-
RHE5G1H121J1□□A03□	X8G	50	120 ±5%	4.0 x 3.5	2.5	2.5	A2	DB	-
RHE5G1H121J1□□A03□	X8G	50	120 ±5%	4.0 x 3.5	2.5	5.0	K1	M1	-
RHE5G1H151J1□□A03□	X8G	50	150 ±5%	4.0 x 3.5	2.5	2.5	A2	DB	-
RHE5G1H151J1□□A03□	X8G	50	150 ±5%	4.0 x 3.5	2.5	5.0	K1	M1	-
RHE5G1H181J1□□A03□	X8G	50	180 ±5%	4.0 x 3.5	2.5	2.5	A2	DB	-
RHE5G1H181J1□□A03□	X8G	50	180 ±5%	4.0 x 3.5	2.5	5.0	K1	M1	-
RHE5G1H221J1□□A03□	X8G	50	220 ±5%	4.0 x 3.5	2.5	2.5	A2	DB	-
RHE5G1H221J1□□A03□	X8G	50	220 ±5%	4.0 x 3.5	2.5	5.0	K1	M1	-
RHE5G1H271J1□□A03□	X8G	50	270 ±5%	4.0 x 3.5	2.5	2.5	A2	DB	-
RHE5G1H271J1□□A03□	X8G	50	270 ±5%	4.0 x 3.5	2.5	5.0	K1	M1	-
RHE5G1H331J1□□A03□	X8G	50	330 ±5%	4.0 x 3.5	2.5	2.5	A2	DB	-
RHE5G1H331J1□□A03□	X8G	50	330 ±5%	4.0 x 3.5	2.5	5.0	K1	M1	-
RHE5G1H391J1□□A03□	X8G	50	390 ±5%	4.0 x 3.5	2.5	2.5	A2	DB	-
RHE5G1H391J1□□A03□	X8G	50	390 ±5%	4.0 x 3.5	2.5	5.0	K1	M1	-

Continued on the following page.

Continued from the preceding page.

Part Number	Temp. Char.	Rated Voltage (Vdc)	Capacitance (pF)	Dimensions LxW (mm)	Dimension T (mm)	Lead Space F (mm)	Lead Style Code Bulk	Lead Style Code Taping (1)	Lead Style Code Taping (2)
RHE5G1H471J1□□A03□	X8G	50	470 ±5%	4.0 x 3.5	2.5	2.5	A2	DB	-
RHE5G1H471J1□□A03□	X8G	50	470 ±5%	4.0 x 3.5	2.5	5.0	K1	M1	-
RHE5G1H561J1□□A03□	X8G	50	560 ±5%	4.0 x 3.5	2.5	2.5	A2	DB	-
RHE5G1H561J1□□A03□	X8G	50	560 ±5%	4.0 x 3.5	2.5	5.0	K1	M1	-
RHE5G1H681J1□□A03□	X8G	50	680 ±5%	4.0 x 3.5	2.5	2.5	A2	DB	-
RHE5G1H681J1□□A03□	X8G	50	680 ±5%	4.0 x 3.5	2.5	5.0	K1	M1	-
RHE5G1H821J1□□A03□	X8G	50	820 ±5%	4.0 x 3.5	2.5	2.5	A2	DB	-
RHE5G1H821J1□□A03□	X8G	50	820 ±5%	4.0 x 3.5	2.5	5.0	K1	M1	-
RHE5G1H102J1□□A03□	X8G	50	1000 ±5%	4.0 x 3.5	2.5	2.5	A2	DB	-
RHE5G1H102J1□□A03□	X8G	50	1000 ±5%	4.0 x 3.5	2.5	5.0	K1	M1	-
RHE5G1H122J1□□A03□	X8G	50	1200 ±5%	4.0 x 3.5	2.5	2.5	A2	DB	-
RHE5G1H122J1□□A03□	X8G	50	1200 ±5%	4.0 x 3.5	2.5	5.0	K1	M1	-
RHE5G1H152J1□□A03□	X8G	50	1500 ±5%	4.0 x 3.5	2.5	2.5	A2	DB	-
RHE5G1H152J1□□A03□	X8G	50	1500 ±5%	4.0 x 3.5	2.5	5.0	K1	M1	-
RHE5G2A101J1□□A03□	X8G	100	100 ±5%	4.0 x 3.5	2.5	2.5	A2	DB	-
RHE5G2A101J1□□A03□	X8G	100	100 ±5%	4.0 x 3.5	2.5	5.0	K1	M1	-
RHE5G2A121J1□□A03□	X8G	100	120 ±5%	4.0 x 3.5	2.5	2.5	A2	DB	-
RHE5G2A121J1□□A03□	X8G	100	120 ±5%	4.0 x 3.5	2.5	5.0	K1	M1	-
RHE5G2A151J1□□A03□	X8G	100	150 ±5%	4.0 x 3.5	2.5	2.5	A2	DB	-
RHE5G2A151J1□□A03□	X8G	100	150 ±5%	4.0 x 3.5	2.5	5.0	K1	M1	-
RHE5G2A181J1□□A03□	X8G	100	180 ±5%	4.0 x 3.5	2.5	2.5	A2	DB	-
RHE5G2A181J1□□A03□	X8G	100	180 ±5%	4.0 x 3.5	2.5	5.0	K1	M1	-
RHE5G2A221J1□□A03□	X8G	100	220 ±5%	4.0 x 3.5	2.5	2.5	A2	DB	-
RHE5G2A221J1□□A03□	X8G	100	220 ±5%	4.0 x 3.5	2.5	5.0	K1	M1	-
RHE5G2A271J1□□A03□	X8G	100	270 ±5%	4.0 x 3.5	2.5	2.5	A2	DB	-
RHE5G2A271J1□□A03□	X8G	100	270 ±5%	4.0 x 3.5	2.5	5.0	K1	M1	-
RHE5G2A331J1□□A03□	X8G	100	330 ±5%	4.0 x 3.5	2.5	2.5	A2	DB	-
RHE5G2A331J1□□A03□	X8G	100	330 ±5%	4.0 x 3.5	2.5	5.0	K1	M1	-
RHE5G2A391J1□□A03□	X8G	100	390 ±5%	4.0 x 3.5	2.5	2.5	A2	DB	-
RHE5G2A391J1□□A03□	X8G	100	390 ±5%	4.0 x 3.5	2.5	5.0	K1	M1	-
RHE5G2A471J1□□A03□	X8G	100	470 ±5%	4.0 x 3.5	2.5	2.5	A2	DB	-
RHE5G2A471J1□□A03□	X8G	100	470 ±5%	4.0 x 3.5	2.5	5.0	K1	M1	-
RHE5G2A561J1□□A03□	X8G	100	560 ±5%	4.0 x 3.5	2.5	2.5	A2	DB	-
RHE5G2A561J1□□A03□	X8G	100	560 ±5%	4.0 x 3.5	2.5	5.0	K1	M1	-
RHE5G2A681J1□□A03□	X8G	100	680 ±5%	4.0 x 3.5	2.5	2.5	A2	DB	-
RHE5G2A681J1□□A03□	X8G	100	680 ±5%	4.0 x 3.5	2.5	5.0	K1	M1	-
RHE5G2A821J1□□A03□	X8G	100	820 ±5%	4.0 x 3.5	2.5	2.5	A2	DB	-
RHE5G2A821J1□□A03□	X8G	100	820 ±5%	4.0 x 3.5	2.5	5.0	K1	M1	-
RHE5G2A102J1□□A03□	X8G	100	1000 ±5%	4.0 x 3.5	2.5	2.5	A2	DB	-
RHE5G2A102J1□□A03□	X8G	100	1000 ±5%	4.0 x 3.5	2.5	5.0	K1	M1	-

Two blank columns are filled with the lead style code. Please refer to the 3 columns on the right for the appropriate code.  
 The last blank column is filled with the packaging code. (B: bulk, A: ammo pack)

### High Dielectric Constant Type, X8L Characteristics

Part Number	Temp. Char.	Rated Voltage (Vdc)	Capacitance	Dimensions LxW (mm)	Dimension T (mm)	Lead Space F (mm)	Lead Style Code Bulk	Lead Style Code Taping (1)	Lead Style Code Taping (2)
RHEL81H102K1□□A03□	X8L	50	1000pF ±10%	4.0 x 3.5	2.5	2.5	A2	DB	-
RHEL81H102K1□□A03□	X8L	50	1000pF ±10%	4.0 x 3.5	2.5	5.0	K1	M1	-
RHEL81H152K1□□A03□	X8L	50	1500pF ±10%	4.0 x 3.5	2.5	2.5	A2	DB	-
RHEL81H152K1□□A03□	X8L	50	1500pF ±10%	4.0 x 3.5	2.5	5.0	K1	M1	-
RHEL81H222K1□□A03□	X8L	50	2200pF ±10%	4.0 x 3.5	2.5	2.5	A2	DB	-
RHEL81H222K1□□A03□	X8L	50	2200pF ±10%	4.0 x 3.5	2.5	5.0	K1	M1	-
RHEL81H332K1□□A03□	X8L	50	3300pF ±10%	4.0 x 3.5	2.5	2.5	A2	DB	-
RHEL81H332K1□□A03□	X8L	50	3300pF ±10%	4.0 x 3.5	2.5	5.0	K1	M1	-
RHEL81H472K1□□A03□	X8L	50	4700pF ±10%	4.0 x 3.5	2.5	2.5	A2	DB	-

Continued on the following page. ↗



Continued from the preceding page.

Part Number	Temp. Char.	Rated Voltage (Vdc)	Capacitance	Dimensions LxW (mm)	Dimension T (mm)	Lead Space F (mm)	Lead Style Code Bulk	Lead Style Code Taping (1)	Lead Style Code Taping (2)
RHEL81H472K1□□A03□	X8L	50	4700pF ±10%	4.0 x 3.5	2.5	5.0	K1	M1	-
RHEL81H682K1□□A03□	X8L	50	6800pF ±10%	4.0 x 3.5	2.5	2.5	A2	DB	-
RHEL81H682K1□□A03□	X8L	50	6800pF ±10%	4.0 x 3.5	2.5	5.0	K1	M1	-
RHEL81H103K1□□A03□	X8L	50	10000pF ±10%	4.0 x 3.5	2.5	2.5	A2	DB	-
RHEL81H103K1□□A03□	X8L	50	10000pF ±10%	4.0 x 3.5	2.5	5.0	K1	M1	-
RHEL81H153K1□□A03□	X8L	50	15000pF ±10%	4.0 x 3.5	2.5	2.5	A2	DB	-
RHEL81H153K1□□A03□	X8L	50	15000pF ±10%	4.0 x 3.5	2.5	5.0	K1	M1	-
RHEL81H223K1□□A03□	X8L	50	22000pF ±10%	4.0 x 3.5	2.5	2.5	A2	DB	-
RHEL81H223K1□□A03□	X8L	50	22000pF ±10%	4.0 x 3.5	2.5	5.0	K1	M1	-
RHEL81H333K1□□A03□	X8L	50	33000pF ±10%	4.0 x 3.5	3.15	2.5	A2	DB	-
RHEL81H333K1□□A03□	X8L	50	33000pF ±10%	4.0 x 3.5	3.15	5.0	K1	M1	-
RHEL81H473K1□□A03□	X8L	50	47000pF ±10%	4.0 x 3.5	3.15	2.5	A2	DB	-
RHEL81H473K1□□A03□	X8L	50	47000pF ±10%	4.0 x 3.5	3.15	5.0	K1	M1	-
RHEL81H683K1□□A03□	X8L	50	68000pF ±10%	4.0 x 3.5	3.15	2.5	A2	DB	-
RHEL81H683K1□□A03□	X8L	50	68000pF ±10%	4.0 x 3.5	3.15	5.0	K1	M1	-
RHEL81H104K1□□A03□	X8L	50	0.10μF ±10%	4.0 x 3.5	3.15	2.5	A2	DB	-
RHEL81H104K1□□A03□	X8L	50	0.10μF ±10%	4.0 x 3.5	3.15	5.0	K1	M1	-
RHDL81H154K2□□C03□	X8L	50	0.15μF ±10%	5.7 x 4.5	4.5	2.5	A2	DB	-
RHDL81H154K2□□C03□	X8L	50	0.15μF ±10%	5.7 x 4.5	4.5	5.0	K1	M1	-
RHDL81H224K2□□C03□	X8L	50	0.22μF ±10%	5.7 x 4.5	4.5	2.5	A2	DB	-
RHDL81H224K2□□C03□	X8L	50	0.22μF ±10%	5.7 x 4.5	4.5	5.0	K1	M1	-
RHDL81H334K2□□C03□	X8L	50	0.33μF ±10%	5.7 x 4.5	4.5	2.5	A2	DB	-
RHDL81H334K2□□C03□	X8L	50	0.33μF ±10%	5.7 x 4.5	4.5	5.0	K1	M1	-
RHDL81H474K2□□C03□	X8L	50	0.47μF ±10%	5.7 x 4.5	4.5	2.5	A2	DB	-
RHDL81H474K2□□C03□	X8L	50	0.47μF ±10%	5.7 x 4.5	4.5	5.0	K1	M1	-
RHDL81H684K2□□C03□	X8L	50	0.68μF ±10%	5.7 x 4.5	4.5	2.5	A2	DB	-
RHDL81H684K2□□C03□	X8L	50	0.68μF ±10%	5.7 x 4.5	4.5	5.0	K1	M1	-
RHDL81H105K2□□C03□	X8L	50	1.0μF ±10%	5.7 x 4.5	4.5	2.5	A2	DB	-
RHDL81H105K2□□C03□	X8L	50	1.0μF ±10%	5.7 x 4.5	4.5	5.0	K1	M1	-
RHDL81H155K2□□C03□	X8L	50	1.5μF ±10%	5.7 x 4.5	4.5	2.5	A2	DB	-
RHDL81H155K2□□C03□	X8L	50	1.5μF ±10%	5.7 x 4.5	4.5	5.0	K1	M1	-
RHDL81H225K3□□C03□	X8L	50	2.2μF ±10%	6.0 x 5.5	5.0	2.5	A2	DB	-
RHDL81H225K3□□C03□	X8L	50	2.2μF ±10%	6.0 x 5.5	5.0	5.0	K1	M1	-
RHDL81H335K3□□C03□	X8L	50	3.3μF ±10%	6.0 x 5.5	5.0	2.5	A2	DB	-
RHDL81H335K3□□C03□	X8L	50	3.3μF ±10%	6.0 x 5.5	5.0	5.0	K1	M1	-
RHDL81H475K3□□C03□	X8L	50	4.7μF ±10%	6.0 x 5.5	5.0	2.5	A2	DB	-
RHDL81H475K3□□C03□	X8L	50	4.7μF ±10%	6.0 x 5.5	5.0	5.0	K1	M1	-
RHDL81H106MW□□C03□	X8L	50	10μF ±20%	6.0 x 8.0	5.0	5.0	K1	M1	-
RHEL82A102K1□□A03□	X8L	100	1000pF ±10%	4.0 x 3.5	2.5	2.5	A2	DB	-
RHEL82A102K1□□A03□	X8L	100	1000pF ±10%	4.0 x 3.5	2.5	5.0	K1	M1	-
RHEL82A152K1□□A03□	X8L	100	1500pF ±10%	4.0 x 3.5	2.5	2.5	A2	DB	-
RHEL82A152K1□□A03□	X8L	100	1500pF ±10%	4.0 x 3.5	2.5	5.0	K1	M1	-
RHEL82A222K1□□A03□	X8L	100	2200pF ±10%	4.0 x 3.5	2.5	2.5	A2	DB	-
RHEL82A222K1□□A03□	X8L	100	2200pF ±10%	4.0 x 3.5	2.5	5.0	K1	M1	-
RHEL82A332K1□□A03□	X8L	100	3300pF ±10%	4.0 x 3.5	2.5	2.5	A2	DB	-
RHEL82A332K1□□A03□	X8L	100	3300pF ±10%	4.0 x 3.5	2.5	5.0	K1	M1	-
RHEL82A472K1□□A03□	X8L	100	4700pF ±10%	4.0 x 3.5	2.5	2.5	A2	DB	-
RHEL82A472K1□□A03□	X8L	100	4700pF ±10%	4.0 x 3.5	2.5	5.0	K1	M1	-
RHEL82A682K1□□A03□	X8L	100	6800pF ±10%	4.0 x 3.5	2.5	2.5	A2	DB	-
RHEL82A682K1□□A03□	X8L	100	6800pF ±10%	4.0 x 3.5	2.5	5.0	K1	M1	-
RHEL82A103K1□□A03□	X8L	100	10000pF ±10%	4.0 x 3.5	3.15	2.5	A2	DB	-
RHEL82A103K1□□A03□	X8L	100	10000pF ±10%	4.0 x 3.5	3.15	5.0	K1	M1	-
RHEL82A153K1□□A03□	X8L	100	15000pF ±10%	4.0 x 3.5	3.15	2.5	A2	DB	-
RHEL82A153K1□□A03□	X8L	100	15000pF ±10%	4.0 x 3.5	3.15	5.0	K1	M1	-
RHEL82A223K1□□A03□	X8L	100	22000pF ±10%	4.0 x 3.5	3.15	2.5	A2	DB	-
RHEL82A223K1□□A03□	X8L	100	22000pF ±10%	4.0 x 3.5	3.15	5.0	K1	M1	-
RHDL82A333K2□□C03□	X8L	100	33000pF ±10%	5.7 x 4.5	4.5	2.5	A2	DB	-

Continued on the following page. ↗

Continued from the preceding page.

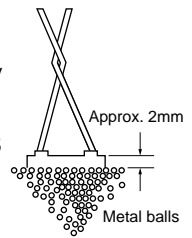
Part Number	Temp. Char.	Rated Voltage (Vdc)	Capacitance	Dimensions LxW (mm)	Dimension T (mm)	Lead Space F (mm)	Lead Style Code Bulk	Lead Style Code Taping (1)	Lead Style Code Taping (2)
RHDL82A333K2□□C03□	X8L	100	33000pF ±10%	5.7 x 4.5	4.5	5.0	K1	M1	-
RHDL82A473K2□□C03□	X8L	100	47000pF ±10%	5.7 x 4.5	4.5	2.5	A2	DB	-
RHDL82A473K2□□C03□	X8L	100	47000pF ±10%	5.7 x 4.5	4.5	5.0	K1	M1	-
RHDL82A683K2□□C03□	X8L	100	68000pF ±10%	5.7 x 4.5	4.5	2.5	A2	DB	-
RHDL82A683K2□□C03□	X8L	100	68000pF ±10%	5.7 x 4.5	4.5	5.0	K1	M1	-
RHDL82A104K2□□C03□	X8L	100	0.10μF ±10%	5.7 x 4.5	4.5	2.5	A2	DB	-
RHDL82A104K2□□C03□	X8L	100	0.10μF ±10%	5.7 x 4.5	4.5	5.0	K1	M1	-

Two blank columns are filled with the lead style code. Please refer to the 3 columns on the right for the appropriate code.  
 The last blank column is filled with the packaging code. (B: bulk, A: ammo pack)

## Specifications and Test Methods

3

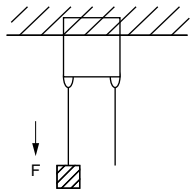
No.	Item		Specifications		Test Method												
			Temperature Compensating Type (Char. X8G)	High Dielectric Constant Type (Char. X8L)													
1	Operating Temperature Range		-55 to +150°C		–												
2	Appearance		No defects or abnormalities		Visual inspection												
3	Dimension and Marking		See previous pages		Visual inspection, Vernier Caliper												
4	Dielectric Strength	Between Terminals	No defects or abnormalities		The capacitor should not be damaged when DC voltage of 300% of the rated voltage (Temperature Compensating Type) or 250% of the rated voltage (High Dielectric Constant Type) is applied between the terminations for 1 to 5 sec. (Charge/Discharge current ≤ 50mA)  The capacitor is placed in a container with metal balls of 1mm diameter so that each terminal, short-circuit, is kept approximately 2mm from the balls as shown in the figure, and 250% of the rated DC voltage is impressed for 1 to 5 sec. between capacitor terminals and metal balls. (Charge/Discharge current ≤ 50mA)												
		Body Insulation	No defects or abnormalities														
5	Insulation Resistance	Room Temperature	10,000MΩ or 500MΩ·μF min. (whichever is smaller)		The insulation resistance should be measured at 25±3°C with a DC voltage not exceeding the rated voltage at normal temperature and humidity and within 2 min. of charging. (Charge/Discharge current ≤ 50mA)  The insulation resistance should be measured at 150±3°C with a DC voltage not exceeding the rated voltage at normal temperature and humidity and within 2 min. of charging. (Charge/Discharge current ≤ 50mA)												
		High Temperature	100MΩ or 5MΩ·μF min. (whichever is smaller)														
6	Capacitance		Within the specified tolerance		The capacitance, Q/D.F. should be measured at 25°C at the frequency and voltage shown in the table.												
7	Q/Dissipation Factor (D.F.)		Q≥1,000	0.025 max.													
8	Capacitance Temperature Characteristics	Capacitance Change	Within the specified tolerance (Table A on last column)	Within ±15% (Temp. Range: -55 to +125°C) Within +15/-40% (Temp. Range: +125 to +150°C)	The capacitance change should be measured after 5 min. at each specified temperature stage.												
		Temperature Coefficient	Within the specified tolerance (Table A on last column)														
		Capacitance Drift	Within ±0.2% or ±0.05pF (whichever is larger)														
					<table border="1" style="margin-left: auto; margin-right: auto;"> <thead> <tr> <th>Item</th> <th>Char. X8G (1000pF and below)</th> <th>X8G (more than 1000pF), X8L</th> </tr> </thead> <tbody> <tr> <td>Frequency</td> <td>1±0.1MHz</td> <td>1±0.1kHz</td> </tr> <tr> <td>Voltage</td> <td>AC0.5 to 5V (r.m.s.)</td> <td>AC1±0.2V (r.m.s.)</td> </tr> </tbody> </table>	Item	Char. X8G (1000pF and below)	X8G (more than 1000pF), X8L	Frequency	1±0.1MHz	1±0.1kHz	Voltage	AC0.5 to 5V (r.m.s.)	AC1±0.2V (r.m.s.)			
Item	Char. X8G (1000pF and below)	X8G (more than 1000pF), X8L															
Frequency	1±0.1MHz	1±0.1kHz															
Voltage	AC0.5 to 5V (r.m.s.)	AC1±0.2V (r.m.s.)															
					<table border="1" style="margin-left: auto; margin-right: auto;"> <thead> <tr> <th>Step</th> <th>Temperature (°C)</th> </tr> </thead> <tbody> <tr> <td>1</td> <td>25±2</td> </tr> <tr> <td>2</td> <td>-55±3</td> </tr> <tr> <td>3</td> <td>25±2</td> </tr> <tr> <td>4</td> <td>150±3</td> </tr> <tr> <td>5</td> <td>25±2</td> </tr> </tbody> </table>	Step	Temperature (°C)	1	25±2	2	-55±3	3	25±2	4	150±3	5	25±2
Step	Temperature (°C)																
1	25±2																
2	-55±3																
3	25±2																
4	150±3																
5	25±2																
					• Pretreatment for high dielectric constant type Perform a heat treatment at 150+0/-10°C for 1 hr., and then let sit at room temperature for 24±2 hrs.												



Continued on the following page.

## Specifications and Test Methods

Continued from the preceding page.

No.	Item		Specifications		Test Method															
			Temperature Compensating Type (Char. X8G)	High Dielectric Constant Type (Char. X8L)																
9	Terminal Strength	Tensile Strength	Termination not to be broken or loosened		As in the figure, fix the capacitor body, apply the force gradually to each lead in the radial direction of the capacitor until reaching 10N and then keep the force applied for 10±1 sec. 															
		Bending Strength	Termination not to be broken or loosened																	
10	Vibration Resistance	Appearance	No defects or abnormalities		The capacitor should be firmly soldered to the supporting lead wire and vibrated at a frequency range of 10 to 2000Hz, 1.5mm in total amplitude, with about a 20 min. rate of vibration change from 10Hz to 2000Hz and back to 10Hz. Apply for a total of 6 hrs., 2 hrs. each in 3 mutually perpendicular directions.															
		Capacitance	Within the specified tolerance																	
		Q/D.F.	Q≥1,000	0.025 max.																
11	Solderability of Leads		Lead wire should be soldered with uniform coating on the axial direction over 3/4 of the circumferential direction.		The terminal of a capacitor is dipped into a solution of ethanol (JIS-K-8101) and rosin (JIS-K-5902) (25% rosin in weight proportion) and then into molten solder (JIS-Z-3282) for 2±0.5 sec. In both cases the depth of dipping is up to about 1.5 to 2mm from the terminal body. Temp. of solder: 245±5°C Lead Free Solder (Sn-3.0Ag-0.5Cu) 235±5°C H60A or H63A Eutectic Solder															
12	Resistance to Soldering Heat	Appearance	No defects or abnormalities		The lead wire is immersed in the melted solder 1.5 to 2mm from the main body at 270±5°C for 3±0.5 sec. The specified items are measured after 24±2 hrs.  • Pretreatment for high dielectric constant type Perform a heat treatment at 150+0/-10°C for 1 hr., and then let sit at room temperature for 24±2 hrs.															
		Capacitance Change	Within ±2.5% or ±0.25pF (whichever is larger)	Within ±7.5%																
		Dielectric Strength (Between Terminals)	No defects																	
13	Temperature Cycle	Appearance	No defects or abnormalities except color change of outer coating		Repeat 1000 cycles according to 4 heat treatments listed in the following table. Remove and set for 24±2 hrs. at room temperature, then measure. <table border="1" data-bbox="997 1422 1460 1556"> <thead> <tr> <th>Step</th> <th>Temperature (°C)</th> <th>Time (min)</th> </tr> </thead> <tbody> <tr> <td>1</td> <td>-55±3</td> <td>30±3</td> </tr> <tr> <td>2</td> <td>Room Temp.</td> <td>3 max.</td> </tr> <tr> <td>3</td> <td>150±3</td> <td>30±3</td> </tr> <tr> <td>4</td> <td>Room Temp.</td> <td>3 max.</td> </tr> </tbody> </table> • Pretreatment for high dielectric constant type Perform a heat treatment at 150+0/-10°C for 1 hr., and then let sit at room temperature for 24±2 hrs.	Step	Temperature (°C)	Time (min)	1	-55±3	30±3	2	Room Temp.	3 max.	3	150±3	30±3	4	Room Temp.	3 max.
		Step	Temperature (°C)	Time (min)																
		1	-55±3	30±3																
		2	Room Temp.	3 max.																
		3	150±3	30±3																
4	Room Temp.	3 max.																		
Capacitance Change	Within ±5% or ±0.5pF (whichever is larger)	Within ±12.5%																		
Q/D.F.	Q≥350	0.05 max.																		
Insulation Resistance	1,000MΩ or 50MΩ · μF min. (whichever is smaller)																			
Dielectric Strength (Between Terminals)	No defects or abnormalities																			
14	Humidity (Steady State)	Appearance	No defects or abnormalities		Set the capacitor at 85±2°C and relative humidity of 85±2% for 500 ± <sup>24</sup> <sub>8</sub> hrs. Remove and set for 24±2 hrs. at room temperature, then measure. • Pretreatment for high dielectric constant type Perform a heat treatment at 150+0/-10°C for 1 hr., and then let sit at room temperature for 24±2 hrs.															
		Capacitance Change	Within ±5% or ±0.5pF (whichever is larger)	Within ±12.5%																
		Q/D.F.	Q≥350	0.05 max.																
		Insulation Resistance	1,000MΩ or 50MΩ · μF min. (whichever is smaller)																	
15	Humidity Load	Appearance	No defects or abnormalities		Apply the rated voltage at 85±2°C and relative humidity of 85±2% for 500 ± <sup>24</sup> <sub>8</sub> hrs. Remove and set for 24±2 hrs. at room temperature, then measure. (Charge/Discharge current ≤ 50mA) • Pretreatment for high dielectric constant type Perform a heat treatment at 150+0/-10°C for 1 hr., and then let sit at room temperature for 24±2 hrs.															
		Capacitance Change	Within ±5% or ±0.5pF (whichever is larger)	Within ±12.5%																
		Q/D.F.	Q≥200	0.05 max.																
		Insulation Resistance	500MΩ or 25MΩ · μF min. (whichever is smaller)																	

Continued on the following page. ↗

## Specifications and Test Methods

Continued from the preceding page.

No.	Item		Specifications		Test Method
			Temperature Compensating Type (Char. X8G)	High Dielectric Constant Type (Char. X8L)	
16	High Temperature Load	Appearance	No defects or abnormalities except color change of outer coating		Apply a DC voltage of 150% of the rated voltage for 1000 $\pm 48$ hrs. at the maximum operating temperature. Remove and set for 24 $\pm$ 2 hrs. at room temperature, then measure. (Charge/Discharge current $\leq$ 50mA)  • Pretreatment for high dielectric constant type Apply test voltage for 1 hr., at test temperature. Remove and set for 24 $\pm$ 2 hrs. at room temperature.
		Capacitance Change	Within $\pm 3\%$ or $\pm 0.3\text{pF}$ (whichever is larger)	Within $\pm 12.5\%$	
		Q/D.F.	$Q \geq 350$	0.04 max.	
		Insulation Resistance	1,000M $\Omega$ or 50M $\Omega \cdot \mu\text{F}$ min. (whichever is smaller)		
17	Solvent Resistance	Appearance	No defects or abnormalities		The capacitor should be fully immersed, unagitated, in reagent at 20 to 25 °C for 30 $\pm$ 5 sec. and then removed gently. Marking on the surface of the capacitor should immediately be visually examined. Reagent : • Isopropyl alcohol
		Marking	Legible		

Table A

Char.	Nominal Values (ppm/°C) *1	Capacitance Change from 25°C (%)					
		-55°C		-30°C		-10°C	
		Max.	Min.	Max.	Min.	Max.	Min.
<b>X8G</b>	0 $\pm$ 30	0.58	-0.24	0.40	-0.17	0.25	-0.11

\*1: Nominal values denote the temperature coefficient within a range of 25 to 150°C

3

# Radial Lead Type Monolithic Ceramic Capacitors



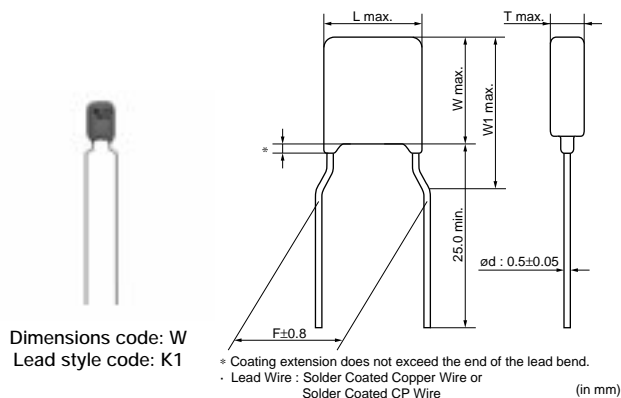
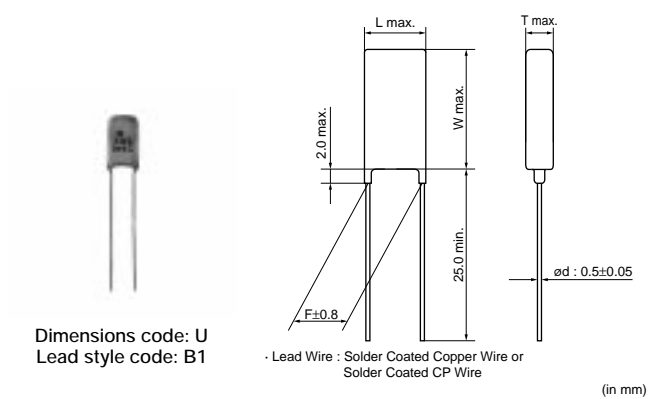
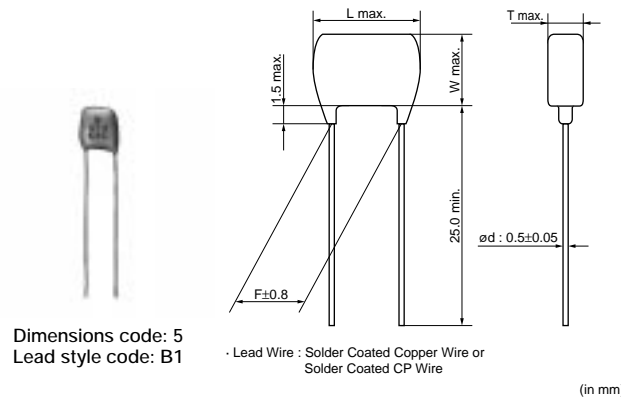
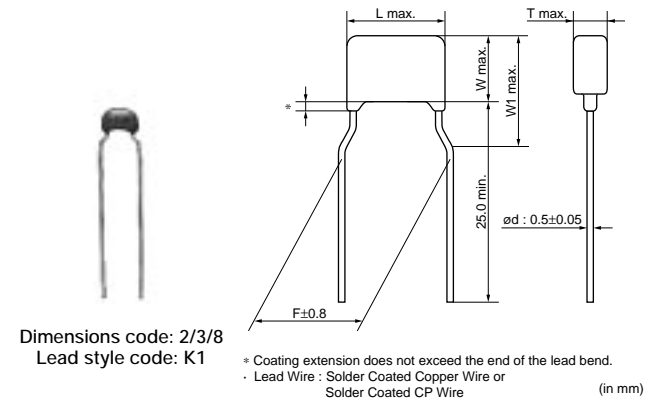
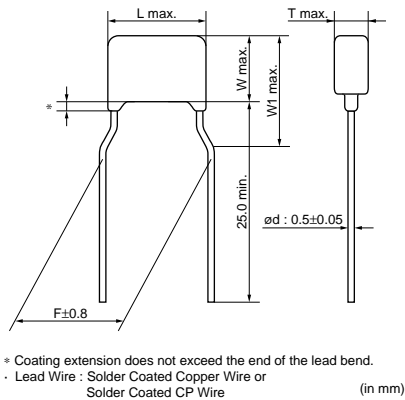
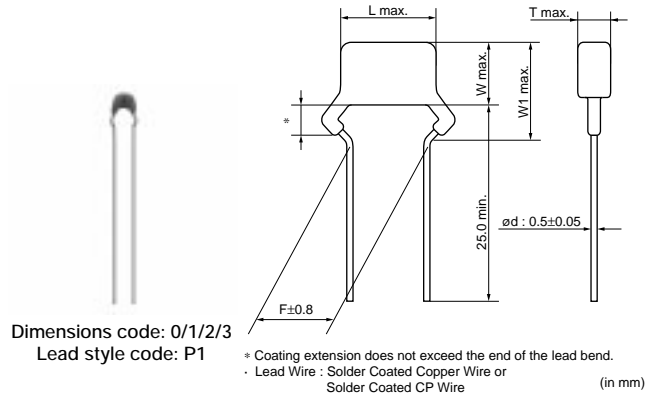
## RDE Series (For Commercial Use Only) (DC25V-DC630V)

### ■ Features

1. Small size and large capacitance
2. Low ESR characteristics for high frequency
3. Coated with epoxy resin whose flammability is equivalent to UL94V-0

### ■ Applications


General electronic equipment  
 (Do not use for automotive-related power train and safety equipment.)



### ■ Dimensions

Dimensions and Lead Style Code	DC Rated Voltage	Dimensions (mm)					
		L	W	W1	T	F	d
0P1/0S1	25V/50V/100V	5.0	3.5	6.0	See the individual product specifications	2.5	0.5
0K1/0M1	25V/50V/100V	4.0	3.5	6.0		5.0	0.5
1P1/1S1	25V/50V/100V	5.0	3.5	5.0		2.5	0.5
1K1/1M1	25V/50V/100V	4.5	3.5	5.0		5.0	0.5
2P1/2S1	25V/50V/100V	5.5	4.0	6.0		2.5	0.5
	25V/50V/100V	5.5	4.0	6.0		5.0	0.5
2K1/2M1	250V/630V	5.0	3.5	5.0		5.0	0.5
	25V/50V/100V	5.5	5.0	7.5		2.5	0.5
3P1/3S1	25V/50V/100V	5.5	5.0	7.5		5.0	0.5
	250V/630V	5.0	4.5	6.3		5.0	0.5
5B1/5E1	250V/630V	7.5	7.5*	-		5.0	0.5
8K1/8M1	250V/630V	7.5	5.5	8.0		5.0	0.5
UB1/UE1	250V/630V	7.7	12.5*	-		5.0	0.5
WK1/WM1	25V/100V	5.5	7.5	10.0	5.0	0.5	

\*DC630V: W+0.5mm

Continued on the following page. 

Continued from the preceding page.

**Marking**

Dimensions Code	Type	Temperature Compensating Type	High Dielectric Constant Type										
	Rated Voltage	DC50V, DC100V	DC25V		DC50V				DC100V		DC250V	DC630V	
	Temp. Char.	C0G	X7S	X7R	X7S	X7R	F	Y5V	X7S	X7R	X7R		
0		A 102J		104K	-		473	103Z	-		-	-	
			224K			224K				224K			
1		-		-	-		-	-	-		-	-	
2	Individual Specification Code A□□	-	M 475 K2C	-	M 475 K5C	M 105 K5C	-	-	-	M 105 K1C	103K	-	
	Individual Specification Code C□□	-									M 153 K4C	M 153 K7C	
3, 8, W		-	M 226 K2C	-	-	M 335 K5C	-	-		M 225 K1C		M 104 K4C	M 104 K7C
5, U		-	-	-	-	-	-	-	-	-		M 474 K4C	M 474 M7C
Temperature Characteristics		Marked with code (C0G char.: A, X7S/X7R char.: C, F/Y5V char.: F) A part is omitted (Please refer to the marking example.)											
Nominal Capacitance		Under 100pF: Actual value 100pF and over: Marked with 3 figures											
Capacitance Tolerance		Marked with code A part is omitted (Please refer to the marking example.)											
Rated Voltage		Marked with code (DC25V: 2, DC50V: 5, DC100V: 1, DC250V: 4, DC630V: 7) Lower horizontal line for F char. A part is omitted (Please refer to the marking example.)											
Manufacturer's Identification		Marked with M A part is omitted (Please refer to the marking example.)											

4

**Temperature Compensating Type, C0G Characteristics**

Part Number	Temp. Char.	Rated Voltage (Vdc)	Capacitance (pF)	Dimensions LxW (mm)	Dimension T (mm)	Lead Space F (mm)	Lead Style Code Bulk	Lead Style Code Taping (1)	Lead Style Code Taping (2)
RDE5C1H100J0□□C03□	C0G	50	10 ±5%	4.0 x 3.5	2.5	5.0	K1	M1	-
RDE5C1H100J0□□C03□	C0G	50	10 ±5%	5.0 x 3.5	2.5	2.5	P1	S1	-
RDE5C1H120J0□□C03□	C0G	50	12 ±5%	4.0 x 3.5	2.5	5.0	K1	M1	-
RDE5C1H120J0□□C03□	C0G	50	12 ±5%	5.0 x 3.5	2.5	2.5	P1	S1	-
RDE5C1H150J0□□C03□	C0G	50	15 ±5%	4.0 x 3.5	2.5	5.0	K1	M1	-
RDE5C1H150J0□□C03□	C0G	50	15 ±5%	5.0 x 3.5	2.5	2.5	P1	S1	-
RDE5C1H180J0□□C03□	C0G	50	18 ±5%	4.0 x 3.5	2.5	5.0	K1	M1	-
RDE5C1H180J0□□C03□	C0G	50	18 ±5%	5.0 x 3.5	2.5	2.5	P1	S1	-
RDE5C1H220J0□□C03□	C0G	50	22 ±5%	4.0 x 3.5	2.5	5.0	K1	M1	-
RDE5C1H220J0□□C03□	C0G	50	22 ±5%	5.0 x 3.5	2.5	2.5	P1	S1	-
RDE5C1H270J0□□C03□	C0G	50	27 ±5%	4.0 x 3.5	2.5	5.0	K1	M1	-
RDE5C1H270J0□□C03□	C0G	50	27 ±5%	5.0 x 3.5	2.5	2.5	P1	S1	-
RDE5C1H330J0□□C03□	C0G	50	33 ±5%	4.0 x 3.5	2.5	5.0	K1	M1	-
RDE5C1H330J0□□C03□	C0G	50	33 ±5%	5.0 x 3.5	2.5	2.5	P1	S1	-
RDE5C1H390J0□□C03□	C0G	50	39 ±5%	4.0 x 3.5	2.5	5.0	K1	M1	-
RDE5C1H390J0□□C03□	C0G	50	39 ±5%	5.0 x 3.5	2.5	2.5	P1	S1	-
RDE5C1H470J0□□C03□	C0G	50	47 ±5%	4.0 x 3.5	2.5	5.0	K1	M1	-
RDE5C1H470J0□□C03□	C0G	50	47 ±5%	5.0 x 3.5	2.5	2.5	P1	S1	-
RDE5C1H560J0□□C03□	C0G	50	56 ±5%	4.0 x 3.5	2.5	5.0	K1	M1	-
RDE5C1H560J0□□C03□	C0G	50	56 ±5%	5.0 x 3.5	2.5	2.5	P1	S1	-

Continued on the following page.



Continued from the preceding page.

Part Number	Temp. Char.	Rated Voltage (Vdc)	Capacitance (pF)	Dimensions LxW (mm)	Dimension T (mm)	Lead Space F (mm)	Lead Style Code Bulk	Lead Style Code Taping (1)	Lead Style Code Taping (2)
RDE5C1H680J0□□C03□	COG	50	68 ±5%	4.0 x 3.5	2.5	5.0	K1	M1	-
RDE5C1H680J0□□C03□	COG	50	68 ±5%	5.0 x 3.5	2.5	2.5	P1	S1	-
RDE5C1H820J0□□C03□	COG	50	82 ±5%	4.0 x 3.5	2.5	5.0	K1	M1	-
RDE5C1H820J0□□C03□	COG	50	82 ±5%	5.0 x 3.5	2.5	2.5	P1	S1	-
RDE5C1H101J0□□C03□	COG	50	100 ±5%	4.0 x 3.5	2.5	5.0	K1	M1	-
RDE5C1H101J0□□C03□	COG	50	100 ±5%	5.0 x 3.5	2.5	2.5	P1	S1	-
RDE5C1H121J0□□C03□	COG	50	120 ±5%	4.0 x 3.5	2.5	5.0	K1	M1	-
RDE5C1H121J0□□C03□	COG	50	120 ±5%	5.0 x 3.5	2.5	2.5	P1	S1	-
RDE5C1H151J0□□C03□	COG	50	150 ±5%	4.0 x 3.5	2.5	5.0	K1	M1	-
RDE5C1H151J0□□C03□	COG	50	150 ±5%	5.0 x 3.5	2.5	2.5	P1	S1	-
RDE5C1H181J0□□C03□	COG	50	180 ±5%	4.0 x 3.5	2.5	5.0	K1	M1	-
RDE5C1H181J0□□C03□	COG	50	180 ±5%	5.0 x 3.5	2.5	2.5	P1	S1	-
RDE5C1H221J0□□C03□	COG	50	220 ±5%	4.0 x 3.5	2.5	5.0	K1	M1	-
RDE5C1H221J0□□C03□	COG	50	220 ±5%	5.0 x 3.5	2.5	2.5	P1	S1	-
RDE5C1H271J0□□C03□	COG	50	270 ±5%	4.0 x 3.5	2.5	5.0	K1	M1	-
RDE5C1H271J0□□C03□	COG	50	270 ±5%	5.0 x 3.5	2.5	2.5	P1	S1	-
RDE5C1H331J0□□C03□	COG	50	330 ±5%	4.0 x 3.5	2.5	5.0	K1	M1	-
RDE5C1H331J0□□C03□	COG	50	330 ±5%	5.0 x 3.5	2.5	2.5	P1	S1	-
RDE5C1H391J0□□C03□	COG	50	390 ±5%	4.0 x 3.5	2.5	5.0	K1	M1	-
RDE5C1H391J0□□C03□	COG	50	390 ±5%	5.0 x 3.5	2.5	2.5	P1	S1	-
RDE5C1H471J0□□C03□	COG	50	470 ±5%	4.0 x 3.5	2.5	5.0	K1	M1	-
RDE5C1H471J0□□C03□	COG	50	470 ±5%	5.0 x 3.5	2.5	2.5	P1	S1	-
RDE5C1H561J0□□C03□	COG	50	560 ±5%	4.0 x 3.5	2.5	5.0	K1	M1	-
RDE5C1H561J0□□C03□	COG	50	560 ±5%	5.0 x 3.5	2.5	2.5	P1	S1	-
RDE5C1H681J0□□C03□	COG	50	680 ±5%	4.0 x 3.5	2.5	5.0	K1	M1	-
RDE5C1H681J0□□C03□	COG	50	680 ±5%	5.0 x 3.5	2.5	2.5	P1	S1	-
RDE5C1H821J0□□C03□	COG	50	820 ±5%	4.0 x 3.5	2.5	5.0	K1	M1	-
RDE5C1H821J0□□C03□	COG	50	820 ±5%	5.0 x 3.5	2.5	2.5	P1	S1	-
RDE5C1H102J0□□C03□	COG	50	1000 ±5%	4.0 x 3.5	2.5	5.0	K1	M1	-
RDE5C1H102J0□□C03□	COG	50	1000 ±5%	5.0 x 3.5	2.5	2.5	P1	S1	-
RDE5C2A100J0□□C03□	COG	100	10 ±5%	4.0 x 3.5	2.5	5.0	K1	M1	-
RDE5C2A100J0□□C03□	COG	100	10 ±5%	5.0 x 3.5	2.5	2.5	P1	S1	-
RDE5C2A120J0□□C03□	COG	100	12 ±5%	4.0 x 3.5	2.5	5.0	K1	M1	-
RDE5C2A120J0□□C03□	COG	100	12 ±5%	5.0 x 3.5	2.5	2.5	P1	S1	-
RDE5C2A150J0□□C03□	COG	100	15 ±5%	4.0 x 3.5	2.5	5.0	K1	M1	-
RDE5C2A150J0□□C03□	COG	100	15 ±5%	5.0 x 3.5	2.5	2.5	P1	S1	-
RDE5C2A180J0□□C03□	COG	100	18 ±5%	4.0 x 3.5	2.5	5.0	K1	M1	-
RDE5C2A180J0□□C03□	COG	100	18 ±5%	5.0 x 3.5	2.5	2.5	P1	S1	-
RDE5C2A220J0□□C03□	COG	100	22 ±5%	4.0 x 3.5	2.5	5.0	K1	M1	-
RDE5C2A220J0□□C03□	COG	100	22 ±5%	5.0 x 3.5	2.5	2.5	P1	S1	-
RDE5C2A270J0□□C03□	COG	100	27 ±5%	4.0 x 3.5	2.5	5.0	K1	M1	-
RDE5C2A270J0□□C03□	COG	100	27 ±5%	5.0 x 3.5	2.5	2.5	P1	S1	-
RDE5C2A330J0□□C03□	COG	100	33 ±5%	4.0 x 3.5	2.5	5.0	K1	M1	-
RDE5C2A330J0□□C03□	COG	100	33 ±5%	5.0 x 3.5	2.5	2.5	P1	S1	-
RDE5C2A390J0□□C03□	COG	100	39 ±5%	4.0 x 3.5	2.5	5.0	K1	M1	-
RDE5C2A390J0□□C03□	COG	100	39 ±5%	5.0 x 3.5	2.5	2.5	P1	S1	-
RDE5C2A470J0□□C03□	COG	100	47 ±5%	4.0 x 3.5	2.5	5.0	K1	M1	-
RDE5C2A470J0□□C03□	COG	100	47 ±5%	5.0 x 3.5	2.5	2.5	P1	S1	-
RDE5C2A560J0□□C03□	COG	100	56 ±5%	4.0 x 3.5	2.5	5.0	K1	M1	-
RDE5C2A560J0□□C03□	COG	100	56 ±5%	5.0 x 3.5	2.5	2.5	P1	S1	-
RDE5C2A680J0□□C03□	COG	100	68 ±5%	4.0 x 3.5	2.5	5.0	K1	M1	-
RDE5C2A680J0□□C03□	COG	100	68 ±5%	5.0 x 3.5	2.5	2.5	P1	S1	-
RDE5C2A820J0□□C03□	COG	100	82 ±5%	4.0 x 3.5	2.5	5.0	K1	M1	-
RDE5C2A820J0□□C03□	COG	100	82 ±5%	5.0 x 3.5	2.5	2.5	P1	S1	-
RDE5C2A101J0□□C03□	COG	100	100 ±5%	4.0 x 3.5	2.5	5.0	K1	M1	-
RDE5C2A101J0□□C03□	COG	100	100 ±5%	5.0 x 3.5	2.5	2.5	P1	S1	-
RDE5C2A121J0□□C03□	COG	100	120 ±5%	4.0 x 3.5	2.5	5.0	K1	M1	-

Continued on the following page. ↗



Continued from the preceding page.

Part Number	Temp. Char.	Rated Voltage (Vdc)	Capacitance (pF)	Dimensions LxW (mm)	Dimension T (mm)	Lead Space F (mm)	Lead Style Code Bulk	Lead Style Code Taping (1)	Lead Style Code Taping (2)
RDE5C2A121J0□□C03□	C0G	100	120 ±5%	5.0 x 3.5	2.5	2.5	P1	S1	-
RDE5C2A151J0□□C03□	C0G	100	150 ±5%	4.0 x 3.5	2.5	5.0	K1	M1	-
RDE5C2A151J0□□C03□	C0G	100	150 ±5%	5.0 x 3.5	2.5	2.5	P1	S1	-
RDE5C2A181J0□□C03□	C0G	100	180 ±5%	4.0 x 3.5	2.5	5.0	K1	M1	-
RDE5C2A181J0□□C03□	C0G	100	180 ±5%	5.0 x 3.5	2.5	2.5	P1	S1	-
RDE5C2A221J0□□C03□	C0G	100	220 ±5%	4.0 x 3.5	2.5	5.0	K1	M1	-
RDE5C2A221J0□□C03□	C0G	100	220 ±5%	5.0 x 3.5	2.5	2.5	P1	S1	-
RDE5C2A271J0□□C03□	C0G	100	270 ±5%	4.0 x 3.5	2.5	5.0	K1	M1	-
RDE5C2A271J0□□C03□	C0G	100	270 ±5%	5.0 x 3.5	2.5	2.5	P1	S1	-
RDE5C2A331J0□□C03□	C0G	100	330 ±5%	4.0 x 3.5	2.5	5.0	K1	M1	-
RDE5C2A331J0□□C03□	C0G	100	330 ±5%	5.0 x 3.5	2.5	2.5	P1	S1	-
RDE5C2A391J0□□C03□	C0G	100	390 ±5%	4.0 x 3.5	2.5	5.0	K1	M1	-
RDE5C2A391J0□□C03□	C0G	100	390 ±5%	5.0 x 3.5	2.5	2.5	P1	S1	-
RDE5C2A471J0□□C03□	C0G	100	470 ±5%	4.0 x 3.5	2.5	5.0	K1	M1	-
RDE5C2A471J0□□C03□	C0G	100	470 ±5%	5.0 x 3.5	2.5	2.5	P1	S1	-
RDE5C2A561J0□□C03□	C0G	100	560 ±5%	4.0 x 3.5	2.5	5.0	K1	M1	-
RDE5C2A561J0□□C03□	C0G	100	560 ±5%	5.0 x 3.5	2.5	2.5	P1	S1	-
RDE5C2A681J0□□C03□	C0G	100	680 ±5%	4.0 x 3.5	2.5	5.0	K1	M1	-
RDE5C2A681J0□□C03□	C0G	100	680 ±5%	5.0 x 3.5	2.5	2.5	P1	S1	-
RDE5C2A821J0□□C03□	C0G	100	820 ±5%	4.0 x 3.5	2.5	5.0	K1	M1	-
RDE5C2A821J0□□C03□	C0G	100	820 ±5%	5.0 x 3.5	2.5	2.5	P1	S1	-
RDE5C2A102J0□□C03□	C0G	100	1000 ±5%	4.0 x 3.5	2.5	5.0	K1	M1	-
RDE5C2A102J0□□C03□	C0G	100	1000 ±5%	5.0 x 3.5	2.5	2.5	P1	S1	-

Two blank columns are filled with the lead style code. Please refer to the 3 columns on the right for the appropriate code.  
 The last blank column is filled with the packaging code. (B: bulk, A: ammo pack)

### High Dielectric Constant Type, X7R/X7S Characteristics

Part Number	Temp. Char.	Rated Voltage (Vdc)	Capacitance	Dimensions LxW (mm)	Dimension T (mm)	Lead Space F (mm)	Lead Style Code Bulk	Lead Style Code Taping (1)	Lead Style Code Taping (2)
RDER71E104K0□□C03□	X7R	25	0.10μF ±10%	4.0 x 3.5	2.5	5.0	K1	M1	-
RDER71E104K0□□C03□	X7R	25	0.10μF ±10%	5.0 x 3.5	2.5	2.5	P1	S1	-
RDEC71E224K0□□C03□	X7S	25	0.22μF ±10%	4.0 x 3.5	2.5	5.0	K1	M1	-
RDEC71E224K0□□C03□	X7S	25	0.22μF ±10%	5.0 x 3.5	2.5	2.5	P1	S1	-
RDEC71E474K0□□C03□	X7S	25	0.47μF ±10%	4.0 x 3.5	2.5	5.0	K1	M1	-
RDEC71E474K0□□C03□	X7S	25	0.47μF ±10%	5.0 x 3.5	2.5	2.5	P1	S1	-
RDEC71E105K0□□C03□	X7S	25	1.0μF ±10%	4.0 x 3.5	2.5	5.0	K1	M1	-
RDEC71E105K0□□C03□	X7S	25	1.0μF ±10%	5.0 x 3.5	2.5	2.5	P1	S1	-
RDEC71E225K1□□C03□	X7S	25	2.2μF ±10%	4.5 x 3.5	3.15	5.0	K1	M1	-
RDEC71E225K1□□C03□	X7S	25	2.2μF ±10%	5.0 x 3.5	3.15	2.5	P1	S1	-
RDEC71E475K2□□C03□	X7S	25	4.7μF ±10%	5.5 x 4.0	3.15	2.5	P1	S1	-
RDEC71E475K2□□C03□	X7S	25	4.7μF ±10%	5.5 x 4.0	3.15	5.0	K1	M1	-
RDEC71E106K2□□C03□	X7S	25	10.0μF ±10%	5.5 x 4.0	3.15	2.5	P1	S1	-
RDEC71E106K2□□C03□	X7S	25	10.0μF ±10%	5.5 x 4.0	3.15	5.0	K1	M1	-
RDEC71E226K3□□C03□	X7S	25	22.0μF ±10%	5.5 x 5.0	4.0	2.5	P1	S1	-
RDEC71E226K3□□C03□	X7S	25	22.0μF ±10%	5.5 x 5.0	4.0	5.0	K1	M1	-
RDEC71E476MW□□C03□	X7S	25	47.0μF ±20%	5.5 x 7.5	4.0	5.0	K1	M1	-
RDER71H221K0□□C03□	X7R	50	220pF ±10%	4.0 x 3.5	2.5	5.0	K1	M1	-
RDER71H221K0□□C03□	X7R	50	220pF ±10%	5.0 x 3.5	2.5	2.5	P1	S1	-
RDER71H331K0□□C03□	X7R	50	330pF ±10%	4.0 x 3.5	2.5	5.0	K1	M1	-
RDER71H331K0□□C03□	X7R	50	330pF ±10%	5.0 x 3.5	2.5	2.5	P1	S1	-
RDER71H471K0□□C03□	X7R	50	470pF ±10%	4.0 x 3.5	2.5	5.0	K1	M1	-
RDER71H471K0□□C03□	X7R	50	470pF ±10%	5.0 x 3.5	2.5	2.5	P1	S1	-
RDER71H681K0□□C03□	X7R	50	680pF ±10%	4.0 x 3.5	2.5	5.0	K1	M1	-
RDER71H681K0□□C03□	X7R	50	680pF ±10%	5.0 x 3.5	2.5	2.5	P1	S1	-
RDER71H102K0□□C03□	X7R	50	1000pF ±10%	4.0 x 3.5	2.5	5.0	K1	M1	-

Continued on the following page. ↗

Continued from the preceding page.

Part Number	Temp. Char.	Rated Voltage (Vdc)	Capacitance	Dimensions LxW (mm)	Dimension T (mm)	Lead Space F (mm)	Lead Style Code Bulk	Lead Style Code Taping (1)	Lead Style Code Taping (2)
RD71H102K0□□C03□	X7R	50	1000pF ±10%	5.0 x 3.5	2.5	2.5	P1	S1	-
RD71H152K0□□C03□	X7R	50	1500pF ±10%	4.0 x 3.5	2.5	5.0	K1	M1	-
RD71H152K0□□C03□	X7R	50	1500pF ±10%	5.0 x 3.5	2.5	2.5	P1	S1	-
RD71H222K0□□C03□	X7R	50	2200pF ±10%	4.0 x 3.5	2.5	5.0	K1	M1	-
RD71H222K0□□C03□	X7R	50	2200pF ±10%	5.0 x 3.5	2.5	2.5	P1	S1	-
RD71H332K0□□C03□	X7R	50	3300pF ±10%	4.0 x 3.5	2.5	5.0	K1	M1	-
RD71H332K0□□C03□	X7R	50	3300pF ±10%	5.0 x 3.5	2.5	2.5	P1	S1	-
RD71H472K0□□C03□	X7R	50	4700pF ±10%	4.0 x 3.5	2.5	5.0	K1	M1	-
RD71H472K0□□C03□	X7R	50	4700pF ±10%	5.0 x 3.5	2.5	2.5	P1	S1	-
RD71H682K0□□C03□	X7R	50	6800pF ±10%	4.0 x 3.5	2.5	5.0	K1	M1	-
RD71H682K0□□C03□	X7R	50	6800pF ±10%	5.0 x 3.5	2.5	2.5	P1	S1	-
RD71H103K0□□C03□	X7R	50	10000pF ±10%	4.0 x 3.5	2.5	5.0	K1	M1	-
RD71H103K0□□C03□	X7R	50	10000pF ±10%	5.0 x 3.5	2.5	2.5	P1	S1	-
RD71H153K0□□C03□	X7R	50	15000pF ±10%	4.0 x 3.5	2.5	5.0	K1	M1	-
RD71H153K0□□C03□	X7R	50	15000pF ±10%	5.0 x 3.5	2.5	2.5	P1	S1	-
RD71H223K0□□C03□	X7R	50	22000pF ±10%	4.0 x 3.5	2.5	5.0	K1	M1	-
RD71H223K0□□C03□	X7R	50	22000pF ±10%	5.0 x 3.5	2.5	2.5	P1	S1	-
RD71H333K0□□C03□	X7R	50	33000pF ±10%	4.0 x 3.5	2.5	5.0	K1	M1	-
RD71H333K0□□C03□	X7R	50	33000pF ±10%	5.0 x 3.5	2.5	2.5	P1	S1	-
RD71H473K0□□C03□	X7R	50	47000pF ±10%	4.0 x 3.5	2.5	5.0	K1	M1	-
RD71H473K0□□C03□	X7R	50	47000pF ±10%	5.0 x 3.5	2.5	2.5	P1	S1	-
RD71H683K0□□C03□	X7R	50	68000pF ±10%	4.0 x 3.5	2.5	5.0	K1	M1	-
RD71H683K0□□C03□	X7R	50	68000pF ±10%	5.0 x 3.5	2.5	2.5	P1	S1	-
RD71H104K0□□C03□	X7R	50	0.10μF ±10%	4.0 x 3.5	2.5	5.0	K1	M1	-
RD71H104K0□□C03□	X7R	50	0.10μF ±10%	5.0 x 3.5	2.5	2.5	P1	S1	-
RD71H154K1□□C03□	X7R	50	0.15μF ±10%	4.5 x 3.5	3.15	5.0	K1	M1	-
RD71H154K1□□C03□	X7R	50	0.15μF ±10%	5.0 x 3.5	3.15	2.5	P1	S1	-
RD71H224K1□□C03□	X7R	50	0.22μF ±10%	4.5 x 3.5	3.15	5.0	K1	M1	-
RD71H224K1□□C03□	X7R	50	0.22μF ±10%	5.0 x 3.5	3.15	2.5	P1	S1	-
RD71H334K1□□C03□	X7R	50	0.33μF ±10%	4.5 x 3.5	3.15	5.0	K1	M1	-
RD71H334K1□□C03□	X7R	50	0.33μF ±10%	5.0 x 3.5	3.15	2.5	P1	S1	-
RD71H474K1□□C03□	X7R	50	0.47μF ±10%	4.5 x 3.5	3.15	5.0	K1	M1	-
RD71H474K1□□C03□	X7R	50	0.47μF ±10%	5.0 x 3.5	3.15	2.5	P1	S1	-
RD71H684K2□□C03□	X7R	50	0.68μF ±10%	5.5 x 4.0	3.15	2.5	P1	S1	-
RD71H684K2□□C03□	X7R	50	0.68μF ±10%	5.5 x 4.0	3.15	5.0	K1	M1	-
RD71H105K2□□C03□	X7R	50	1.0μF ±10%	5.5 x 4.0	3.15	2.5	P1	S1	-
RD71H105K2□□C03□	X7R	50	1.0μF ±10%	5.5 x 4.0	3.15	5.0	K1	M1	-
RD71H155K2□□C03□	X7R	50	1.5μF ±10%	5.5 x 4.0	3.15	2.5	P1	S1	-
RD71H155K2□□C03□	X7R	50	1.5μF ±10%	5.5 x 4.0	3.15	5.0	K1	M1	-
RD71H225K2□□C03□	X7R	50	2.2μF ±10%	5.5 x 4.0	3.15	2.5	P1	S1	-
RD71H225K2□□C03□	X7R	50	2.2μF ±10%	5.5 x 4.0	3.15	5.0	K1	M1	-
RD71H335K3□□C03□	X7R	50	3.3μF ±10%	5.5 x 5.0	4.0	2.5	P1	S1	-
RD71H335K3□□C03□	X7R	50	3.3μF ±10%	5.5 x 5.0	4.0	5.0	K1	M1	-
RDEC71H475K2□□C03□	X7S	50	4.7μF ±10%	5.5 x 4.0	3.15	2.5	P1	S1	-
RDEC71H475K2□□C03□	X7S	50	4.7μF ±10%	5.5 x 4.0	3.15	5.0	K1	M1	-
RD72A102K0□□C03□	X7R	100	1000pF ±10%	4.0 x 3.5	2.5	5.0	K1	M1	-
RD72A102K0□□C03□	X7R	100	1000pF ±10%	5.0 x 3.5	2.5	2.5	P1	S1	-
RD72A152K0□□C03□	X7R	100	1500pF ±10%	4.0 x 3.5	2.5	5.0	K1	M1	-
RD72A152K0□□C03□	X7R	100	1500pF ±10%	5.0 x 3.5	2.5	2.5	P1	S1	-
RD72A222K0□□C03□	X7R	100	2200pF ±10%	4.0 x 3.5	2.5	5.0	K1	M1	-
RD72A222K0□□C03□	X7R	100	2200pF ±10%	5.0 x 3.5	2.5	2.5	P1	S1	-
RD72A332K0□□C03□	X7R	100	3300pF ±10%	4.0 x 3.5	2.5	5.0	K1	M1	-
RD72A332K0□□C03□	X7R	100	3300pF ±10%	5.0 x 3.5	2.5	2.5	P1	S1	-
RD72A472K0□□C03□	X7R	100	4700pF ±10%	4.0 x 3.5	2.5	5.0	K1	M1	-
RD72A472K0□□C03□	X7R	100	4700pF ±10%	5.0 x 3.5	2.5	2.5	P1	S1	-
RD72A682K0□□C03□	X7R	100	6800pF ±10%	4.0 x 3.5	2.5	5.0	K1	M1	-
RD72A682K0□□C03□	X7R	100	6800pF ±10%	5.0 x 3.5	2.5	2.5	P1	S1	-

Continued on the following page.

Continued from the preceding page.

Part Number	Temp. Char.	Rated Voltage (Vdc)	Capacitance	Dimensions LxW (mm)	Dimension T (mm)	Lead Space F (mm)	Lead Style Code Bulk	Lead Style Code Taping (1)	Lead Style Code Taping (2)
RDER72A103K0□□C03□	X7R	100	10000pF ±10%	4.0 x 3.5	2.5	5.0	K1	M1	-
RDER72A103K0□□C03□	X7R	100	10000pF ±10%	5.0 x 3.5	2.5	2.5	P1	S1	-
RDER72A153K0□□C03□	X7R	100	15000pF ±10%	4.0 x 3.5	2.5	5.0	K1	M1	-
RDER72A153K0□□C03□	X7R	100	15000pF ±10%	5.0 x 3.5	2.5	2.5	P1	S1	-
RDER72A223K0□□C03□	X7R	100	22000pF ±10%	4.0 x 3.5	2.5	5.0	K1	M1	-
RDER72A223K0□□C03□	X7R	100	22000pF ±10%	5.0 x 3.5	2.5	2.5	P1	S1	-
RDER72A333K1□□C03□	X7R	100	33000pF ±10%	4.5 x 3.5	3.15	5.0	K1	M1	-
RDER72A333K1□□C03□	X7R	100	33000pF ±10%	5.0 x 3.5	3.15	2.5	P1	S1	-
RDER72A473K1□□C03□	X7R	100	47000pF ±10%	4.5 x 3.5	3.15	5.0	K1	M1	-
RDER72A473K1□□C03□	X7R	100	47000pF ±10%	5.0 x 3.5	3.15	2.5	P1	S1	-
RDER72A683K1□□C03□	X7R	100	68000pF ±10%	4.5 x 3.5	3.15	5.0	K1	M1	-
RDER72A683K1□□C03□	X7R	100	68000pF ±10%	5.0 x 3.5	3.15	2.5	P1	S1	-
RDER72A104K1□□C03□	X7R	100	0.10µF ±10%	4.5 x 3.5	3.15	5.0	K1	M1	-
RDER72A104K1□□C03□	X7R	100	0.10µF ±10%	5.0 x 3.5	3.15	2.5	P1	S1	-
RDER72A154K2□□C03□	X7R	100	0.15µF ±10%	5.5 x 4.0	3.15	2.5	P1	S1	-
RDER72A154K2□□C03□	X7R	100	0.15µF ±10%	5.5 x 4.0	3.15	5.0	K1	M1	-
RDER72A224K1□□C03□	X7R	100	0.22µF ±10%	4.5 x 3.5	3.15	5.0	K1	M1	-
RDER72A224K1□□C03□	X7R	100	0.22µF ±10%	5.0 x 3.5	3.15	2.5	P1	S1	-
RDER72A334K1□□C03□	X7R	100	0.33µF ±10%	4.5 x 3.5	3.15	5.0	K1	M1	-
RDER72A334K1□□C03□	X7R	100	0.33µF ±10%	5.0 x 3.5	3.15	2.5	P1	S1	-
RDER72A474K1□□C03□	X7R	100	0.47µF ±10%	4.5 x 3.5	3.15	5.0	K1	M1	-
RDER72A474K1□□C03□	X7R	100	0.47µF ±10%	5.0 x 3.5	3.15	2.5	P1	S1	-
RDER72A684K2□□C03□	X7R	100	0.68µF ±10%	5.5 x 4.0	3.15	2.5	P1	S1	-
RDER72A684K2□□C03□	X7R	100	0.68µF ±10%	5.5 x 4.0	3.15	5.0	K1	M1	-
RDER72A105K2□□C03□	X7R	100	1.0µF ±10%	5.5 x 4.0	3.15	2.5	P1	S1	-
RDER72A105K2□□C03□	X7R	100	1.0µF ±10%	5.5 x 4.0	3.15	5.0	K1	M1	-
RDEC72A155K3□□C03□	X7S	100	1.5µF ±10%	5.5 x 5.0	4.0	2.5	P1	S1	-
RDEC72A155K3□□C03□	X7S	100	1.5µF ±10%	5.5 x 5.0	4.0	5.0	K1	M1	-
RDEC72A225K3□□C03□	X7S	100	2.2µF ±10%	5.5 x 5.0	4.0	2.5	P1	S1	-
RDEC72A225K3□□C03□	X7S	100	2.2µF ±10%	5.5 x 5.0	4.0	5.0	K1	M1	-
RDEC72A475MW□□C03□	X7S	100	4.7µF ±20%	5.5 x 7.5	4.0	5.0	K1	M1	-
RDER72E102K2□□A11□	X7R	250	1000pF ±10%	5.0 x 3.5	3.15	5.0	K1	M1	-
RDER72E152K2□□A11□	X7R	250	1500pF ±10%	5.0 x 3.5	3.15	5.0	K1	M1	-
RDER72E222K2□□A11□	X7R	250	2200pF ±10%	5.0 x 3.5	3.15	5.0	K1	M1	-
RDER72E332K2□□A11□	X7R	250	3300pF ±10%	5.0 x 3.5	3.15	5.0	K1	M1	-
RDER72E472K2□□A11□	X7R	250	4700pF ±10%	5.0 x 3.5	3.15	5.0	K1	M1	-
RDER72E682K2□□A11□	X7R	250	6800pF ±10%	5.0 x 3.5	3.15	5.0	K1	M1	-
RDER72E103K2□□A11□	X7R	250	10000pF ±10%	5.0 x 3.5	3.15	5.0	K1	M1	-
RDER72E153K2□□C11□	X7R	250	15000pF ±10%	5.0 x 3.5	3.15	5.0	K1	M1	-
RDER72E223K2□□C11□	X7R	250	22000pF ±10%	5.0 x 3.5	3.15	5.0	K1	M1	-
RDER72E333K2□□C11□	X7R	250	33000pF ±10%	5.0 x 3.5	3.15	5.0	K1	M1	-
RDER72E473K2□□C11□	X7R	250	47000pF ±10%	5.0 x 3.5	3.15	5.0	K1	M1	-
RDER72E683K3□□C11□	X7R	250	68000pF ±10%	5.0 x 4.5	3.15	5.0	K1	M1	-
RDER72E104K3□□C11□	X7R	250	0.10µF ±10%	5.0 x 4.5	3.15	5.0	K1	B1	-
RDER72E154K8□□C11□	X7R	250	0.15µF ±10%	7.5 x 5.5	3.15	5.0	K1	M1	-
RDER72E224K8□□C11□	X7R	250	0.22µF ±10%	7.5 x 5.5	3.15	5.0	K1	M1	-
RDER72E334K5□□C13□	X7R	250	0.33µF ±10%	7.5 x 7.5	4.0	5.0	B1	E1	-
RDER72E474K5□□C13□	X7R	250	0.47µF ±10%	7.5 x 7.5	4.0	5.0	B1	E1	-
RDER72E105MU□□C13□	X7R	250	1.0µF ±20%	7.7 x 12.5	4.0	5.0	B1	E1	-
RDER72J102K2□□C11□	X7R	630	1000pF ±10%	5.0 x 3.5	3.15	5.0	K1	M1	-
RDER72J152K2□□C11□	X7R	630	1500pF ±10%	5.0 x 3.5	3.15	5.0	K1	M1	-
RDER72J222K2□□C11□	X7R	630	2200pF ±10%	5.0 x 3.5	3.15	5.0	K1	M1	-
RDER72J332K2□□C11□	X7R	630	3300pF ±10%	5.0 x 3.5	3.15	5.0	K1	M1	-
RDER72J472K2□□C11□	X7R	630	4700pF ±10%	5.0 x 3.5	3.15	5.0	K1	M1	-
RDER72J682K2□□C11□	X7R	630	6800pF ±10%	5.0 x 3.5	3.15	5.0	K1	M1	-
RDER72J103K2□□C11□	X7R	630	10000pF ±10%	5.0 x 3.5	3.15	5.0	K1	M1	-
RDER72J153K2□□C11□	X7R	630	15000pF ±10%	5.0 x 3.5	3.15	5.0	K1	M1	-

Continued on the following page. ↗

Continued from the preceding page.

Part Number	Temp. Char.	Rated Voltage (Vdc)	Capacitance	Dimensions LxW (mm)	Dimension T (mm)	Lead Space F (mm)	Lead Style Code Bulk	Lead Style Code Taping (1)	Lead Style Code Taping (2)
RDER72J223K3□□C11□	X7R	630	22000pF ±10%	5.0 x 4.5	3.15	5.0	K1	M1	-
RDER72J333K3□□C11□	X7R	630	33000pF ±10%	5.0 x 4.5	3.15	5.0	K1	M1	-
RDER72J473K3□□C11□	X7R	630	47000pF ±10%	5.0 x 4.5	3.15	5.0	K1	M1	-
RDER72J683K8□□C11□	X7R	630	68000pF ±10%	7.5 x 5.5	3.15	5.0	K1	M1	-
RDER72J104K8□□C11□	X7R	630	0.10μF ±10%	7.5 x 5.5	3.15	5.0	K1	M1	-
RDER72J154K5□□C13□	X7R	630	0.15μF ±10%	7.5 x 8.0	4.0	5.0	B1	E1	-
RDER72J224K5□□C13□	X7R	630	0.22μF ±10%	7.5 x 8.0	4.0	5.0	B1	E1	-
RDER72J474MU□□C13□	X7R	630	0.47μF ±20%	7.7 x 13.0	4.0	5.0	B1	E1	-

Two blank columns are filled with the lead style code. Please refer to the 3 columns on the right for the appropriate code.  
 The last blank column is filled with the packaging code. (B: bulk, A: ammo pack)

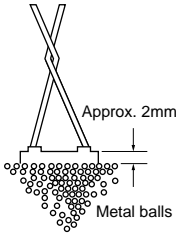
### High Dielectric Constant Type, F/Y5V Characteristics


Part Number	Temp. Char.	Rated Voltage (Vdc)	Capacitance	Dimensions LxW (mm)	Dimension T (mm)	Lead Space F (mm)	Lead Style Code Bulk	Lead Style Code Taping (1)	Lead Style Code Taping (2)
RDEF11H103Z0□□C01□	F	50	10000pF +80/-20%	4.0 x 3.5	2.5	5.0	K1	M1	-
RDEF11H103Z0□□C01□	F	50	10000pF +80/-20%	5.0 x 3.5	2.5	2.5	P1	S1	-
RDEF51H103Z0□□C03□	Y5V	50	10000pF +80/-20%	4.0 x 3.5	2.5	5.0	K1	M1	-
RDEF51H103Z0□□C03□	Y5V	50	10000pF +80/-20%	5.0 x 3.5	2.5	2.5	P1	S1	-
RDEF11H223Z0□□C01□	F	50	22000pF +80/-20%	4.0 x 3.5	2.5	5.0	K1	M1	-
RDEF11H223Z0□□C01□	F	50	22000pF +80/-20%	5.0 x 3.5	2.5	2.5	P1	S1	-
RDEF51H223Z0□□C03□	Y5V	50	22000pF +80/-20%	4.0 x 3.5	2.5	5.0	K1	M1	-
RDEF51H223Z0□□C03□	Y5V	50	22000pF +80/-20%	5.0 x 3.5	2.5	2.5	P1	S1	-
RDEF11H473Z0□□C01□	F	50	47000pF +80/-20%	4.0 x 3.5	2.5	5.0	K1	M1	-
RDEF11H473Z0□□C01□	F	50	47000pF +80/-20%	5.0 x 3.5	2.5	2.5	P1	S1	-
RDEF51H473Z0□□C03□	Y5V	50	47000pF +80/-20%	4.0 x 3.5	2.5	5.0	K1	M1	-
RDEF51H473Z0□□C03□	Y5V	50	47000pF +80/-20%	5.0 x 3.5	2.5	2.5	P1	S1	-
RDEF11H104Z0□□C01□	F	50	0.10μF +80/-20%	4.0 x 3.5	2.5	5.0	K1	M1	-
RDEF11H104Z0□□C01□	F	50	0.10μF +80/-20%	5.0 x 3.5	2.5	2.5	P1	S1	-
RDEF51H104Z0□□C03□	Y5V	50	0.10μF +80/-20%	4.0 x 3.5	2.5	5.0	K1	M1	-
RDEF51H104Z0□□C03□	Y5V	50	0.10μF +80/-20%	5.0 x 3.5	2.5	2.5	P1	S1	-

Two blank columns are filled with the lead style code. Please refer to the 3 columns on the right for the appropriate code.  
 The last blank column is filled with the packaging code. (B: bulk, A: ammo pack)

4

## Specifications and Test Methods

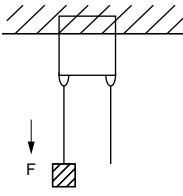
No.	Item	Specifications		Test Method												
		Temperature Compensating Type	High Dielectric Constant Type													
1	Operating Temperature Range	-55 to +125°C	Char. X7R, X7S: -55 to +125°C Char. F: -25 to +85°C Char. Y5V: -30 to +85°C	-												
2	Appearance	No defects or abnormalities		Visual inspection												
3	Dimension and Marking	See previous pages		Visual inspection, Vernier Caliper												
4	Dielectric Strength	Between Terminals	No defects or abnormalities	The capacitors should not be damaged when test voltages of Table are applied between the terminals for 1 to 5 sec. (Charge/Discharge current $\leq$ 50mA)  Temperature Compensating Type <table border="1"> <thead> <tr> <th>Rated Voltage</th> <th>Test Voltage</th> </tr> </thead> <tbody> <tr> <td>DC50V, DC100V</td> <td>300% of the rated voltage</td> </tr> </tbody> </table> High Dielectric Constant Type <table border="1"> <thead> <tr> <th>Rated Voltage</th> <th>Test Voltage</th> </tr> </thead> <tbody> <tr> <td>DC25V, DC50V</td> <td>250% of the rated voltage</td> </tr> <tr> <td>DC100V, DC250V</td> <td>200% of the rated voltage</td> </tr> <tr> <td>DC630V</td> <td>150% of the rated voltage</td> </tr> </tbody> </table>	Rated Voltage	Test Voltage	DC50V, DC100V	300% of the rated voltage	Rated Voltage	Test Voltage	DC25V, DC50V	250% of the rated voltage	DC100V, DC250V	200% of the rated voltage	DC630V	150% of the rated voltage
		Rated Voltage	Test Voltage													
DC50V, DC100V	300% of the rated voltage															
Rated Voltage	Test Voltage															
DC25V, DC50V	250% of the rated voltage															
DC100V, DC250V	200% of the rated voltage															
DC630V	150% of the rated voltage															
Body Insulation	No defects or abnormalities	The capacitor is placed in a container with metal balls of 1mm diameter so that each terminal, short-circuited, is kept approximately 2mm from the balls as shown in the figure, and 250% of the rated voltage (200% of the rated voltage in case of rated voltage: DC100V, DC250V, DC630V) is impressed for 1 to 5 sec. between capacitor terminals and metal balls. (Charge/Discharge current $\leq$ 50mA) 														
5	Insulation Resistance	Between Terminals	Rated Voltage: DC25V, DC50V, DC100V 10,000M $\Omega$ min. or 500M $\Omega$ • $\mu$ F min. whichever is smaller Rated Voltage: DC250V, DC630V 10,000M $\Omega$ min. or 100M $\Omega$ • $\mu$ F min. whichever is smaller	The insulation resistance should be measured with a DC voltage not exceeding the rated voltage (DC500 $\pm$ 50V in case of rated voltage: DC630V) at normal temperature and humidity and within 2 min. of charging. (Charge/Discharge current $\leq$ 50mA)												
6	Capacitance	Within the specified tolerance		The capacitance, Q/D.F. should be measured at 25°C at the frequency and voltage shown in the table.												
7	Q/Dissipation Factor (D.F.)	30pF min.: $Q \geq 1,000$ 30pF max.: $Q \geq 400+20C$ C: Nominal capacitance (pF)	Char. X7R: 0.025 max. Char. F, Y5V: 0.05 max. Char. X7S: 0.125 max.	Temperature Compensating Type <table border="1"> <thead> <tr> <th rowspan="2">Item</th> <th colspan="2">Capacitance</th> </tr> <tr> <th><math>C \leq 1000\text{pF}</math></th> <th><math>C &gt; 1000\text{pF}</math></th> </tr> </thead> <tbody> <tr> <td>Frequency</td> <td>1<math>\pm</math>0.1MHz</td> <td>1<math>\pm</math>0.1kHz</td> </tr> <tr> <td>Voltage</td> <td>AC0.5 to 5V (r.m.s.)</td> <td>AC1<math>\pm</math>0.2V (r.m.s.)</td> </tr> </tbody> </table>	Item	Capacitance		$C \leq 1000\text{pF}$	$C > 1000\text{pF}$	Frequency	1 $\pm$ 0.1MHz	1 $\pm$ 0.1kHz	Voltage	AC0.5 to 5V (r.m.s.)	AC1 $\pm$ 0.2V (r.m.s.)	
				Item		Capacitance										
$C \leq 1000\text{pF}$	$C > 1000\text{pF}$															
Frequency	1 $\pm$ 0.1MHz	1 $\pm$ 0.1kHz														
Voltage	AC0.5 to 5V (r.m.s.)	AC1 $\pm$ 0.2V (r.m.s.)														
High Dielectric Constant Type <table border="1"> <thead> <tr> <th rowspan="2">Item</th> <th colspan="2">Capacitance</th> </tr> <tr> <th><math>C \leq 10\mu\text{F}</math></th> <th><math>C &gt; 10\mu\text{F}</math></th> </tr> </thead> <tbody> <tr> <td>Frequency</td> <td>1<math>\pm</math>0.1kHz</td> <td>120<math>\pm</math>24Hz</td> </tr> <tr> <td>Voltage</td> <td>AC1<math>\pm</math>0.2V (r.m.s.)</td> <td>AC0.5<math>\pm</math>0.1V (r.m.s.)</td> </tr> </tbody> </table>	Item	Capacitance		$C \leq 10\mu\text{F}$	$C > 10\mu\text{F}$	Frequency	1 $\pm$ 0.1kHz	120 $\pm$ 24Hz	Voltage	AC1 $\pm$ 0.2V (r.m.s.)	AC0.5 $\pm$ 0.1V (r.m.s.)					
Item		Capacitance														
	$C \leq 10\mu\text{F}$	$C > 10\mu\text{F}$														
Frequency	1 $\pm$ 0.1kHz	120 $\pm$ 24Hz														
Voltage	AC1 $\pm$ 0.2V (r.m.s.)	AC0.5 $\pm$ 0.1V (r.m.s.)														

Continued on the following page. 

4

## Specifications and Test Methods

Continued from the preceding page.

No.	Item		Specifications		Test Method												
			Temperature Compensating Type	High Dielectric Constant Type													
8	Capacitance Temperature Characteristics	Capacitance Change	Within the specified tolerance (Table A on last column)	Within the specified tolerance (Table B on last column)	The capacitance change should be measured after 5 min. at each specified temperature stage. (1) Temperature Compensating Type The temperature coefficient is determined using the capacitance measured in step 3 as a reference. When cycling the temperature sequentially from step 1 through 5 (-55 to +125°C) the capacitance should be within the specified tolerance for the temperature coefficient and capacitance change as shown in Table A. The capacitance drift is calculated by dividing the differences between the maximum and minimum measured values in step 1, 3 and 5 by the cap. value in step 3. <table border="1" style="margin-left: 20px;"> <thead> <tr> <th>Step</th> <th>Temperature (°C)</th> </tr> </thead> <tbody> <tr> <td>1</td> <td>25±2</td> </tr> <tr> <td>2</td> <td>-55±3</td> </tr> <tr> <td>3</td> <td>25±2</td> </tr> <tr> <td>4</td> <td>125±3</td> </tr> <tr> <td>5</td> <td>25±2</td> </tr> </tbody> </table> (2) High Dielectric Constant Type The ranges of capacitance change compared with the 25°C (Char. F: 20°C) value over the temperature ranges as shown in Table B should be within the specified ranges. • Pretreatment (for high dielectric constant type) Perform a heat treatment at 150+0/-10°C for 1 hr., and then let sit at room temperature for 24±2 hrs.	Step	Temperature (°C)	1	25±2	2	-55±3	3	25±2	4	125±3	5	25±2
		Step	Temperature (°C)														
		1	25±2														
2	-55±3																
3	25±2																
4	125±3																
5	25±2																
Temperature Coefficient	Within the specified tolerance (Table A on last column)																
Capacitance Drift	Within ±0.2% or ±0.05pF, whichever is larger																
9	Terminal Strength	Tensile Strength	Termination not to be broken or loosened		As in the figure, fix the capacitor body, apply the force gradually to each lead in the radial direction of the capacitor until reaching 10N and then keep the force applied for 10±1 sec. 												
		Bending Strength	Termination not to be broken or loosened														
10	Vibration Resistance	Appearance	No defects or abnormalities		The capacitor is soldered securely to a supporting terminal and a 10 to 55Hz vibration of 1.5mm peak-peak amplitude is applied for 6 hrs. total, 2 hrs. in each mutually perpendicular direction. Allow 1 min. to cycle the frequency from 10Hz to 55Hz and the converse.												
		Capacitance	Within the specified tolerance														
		Q/D.F.	30pF min.: $Q \geq 1,000$ 30pF max.: $Q \geq 400 + 20C$ C: Nominal capacitance (pF)	Char. X7R: 0.025 max. Char. F, Y5V: 0.05 max. Char. X7S: 0.125 max.													
11	Solderability of Leads		Lead wire should be soldered with uniform coating on the axial direction over 3/4 of the circumferential direction.		The terminal of a capacitor is dipped into a 25% ethanol (JIS-K-8101) solution of rosin (JIS-K-5902) and then into molten solder for 2±0.5 sec. In both cases the depth of dipping is up to about 1.5mm to 2mm from the terminal body. Temp. of solder: 245±5°C Lead Free Solder (Sn-3.0Ag-0.5Cu) 235±5°C H60A or H63A Eutectic Solder												
12	Resistance to Soldering Heat	Appearance	No defects or abnormalities		The lead wire is immersed in the melted solder 1.5mm to 2mm from the main body at 350±10°C for 3.5±0.5 sec. The specified items are measured after 24±2 hrs. • Pretreatment (for high dielectric constant type) Perform a heat treatment at 150+0/-10°C for 1 hr., and then let sit at room temperature for 24±2 hrs.												
		Capacitance Change	Within ±2.5% or ±0.25pF (whichever is larger)	Char. X7R, X7S: Within ±10% Char. F, Y5V: Within ±20%													
		Dielectric Strength (Between Terminals)	No defects														

Continued on the following page.

4



## Specifications and Test Methods

Continued from the preceding page.

No.	Item	Specifications		Test Method																
		Temperature Compensating Type	High Dielectric Constant Type																	
13	Temperature Cycle	Appearance	No defects or abnormalities		The capacitor should be subjected to 5 temperature cycles. Remove and set for 24±2 hrs. at room temperature, then measure. <table border="1"> <thead> <tr> <th>Step</th> <th>Temperature (°C)</th> <th>Time (min)</th> </tr> </thead> <tbody> <tr> <td>1</td> <td>Min. Operating Temp. ±3</td> <td>30±3</td> </tr> <tr> <td>2</td> <td>Room Temp.</td> <td>3 max.</td> </tr> <tr> <td>3</td> <td>Max. Operating Temp. ±3</td> <td>30±3</td> </tr> <tr> <td>4</td> <td>Room Temp.</td> <td>3 max.</td> </tr> </tbody> </table> <ul style="list-style-type: none"> <li>• Pretreatment (for high dielectric constant type)                      Perform a heat treatment at 150+0/-10°C for 1 hr., and then let sit at room temperature for 24±2 hrs.</li> </ul>	Step	Temperature (°C)	Time (min)	1	Min. Operating Temp. ±3	30±3	2	Room Temp.	3 max.	3	Max. Operating Temp. ±3	30±3	4	Room Temp.	3 max.
		Step	Temperature (°C)	Time (min)																
		1	Min. Operating Temp. ±3	30±3																
		2	Room Temp.	3 max.																
		3	Max. Operating Temp. ±3	30±3																
4	Room Temp.	3 max.																		
Capacitance Change	Within ±5% or ±0.5pF (whichever is larger)	Char. X7R, X7S: Within ±12.5% Char. F, Y5V: Within ±30%																		
Q/D.F.	30pF min.: Q≥350 10pF to 30pF: Q≥275+5C/2 10pF max.: Q≥200+10C C: Nominal capacitance (pF)	Char. X7R: 0.05 max. Char. F, Y5V: 0.075 max. Char. X7S: 0.2 max.																		
Insulation Resistance	Rated Voltage: DC25V, DC50V, DC100V 1,000MΩ, 50MΩ • μF min. (whichever is smaller) Rated Voltage: DC250V, DC630V 1,000MΩ, 10MΩ • μF min. (whichever is smaller)																			
Dielectric Strength (Between Terminals)	No defects or abnormalities																			
14	Humidity (Steady State)	Appearance	No defects or abnormalities		Set the capacitor at 40±2°C and relative humidity of 90 to 95% for 500±2 <sub>0</sub> hrs. Remove and set for 24±2 hrs. at room temperature, then measure. <ul style="list-style-type: none"> <li>• Pretreatment (for high dielectric constant type)                              Perform a heat treatment at 150+0/-10°C for 1 hr., and then let sit at room temperature for 24±2 hrs.</li> </ul>															
		Capacitance Change	Within ±5% or ±0.5pF (whichever is larger)	Char. X7R, X7S: Within ±15% Char. F, Y5V: Within ±30%																
		Q/D.F.	30pF min.: Q≥350 10pF to 30pF: Q≥275+5C/2 10pF max.: Q≥200+10C C: Nominal capacitance (pF)	Char. X7R: 0.05 max. Char. F, Y5V: 0.075 max. Char. X7S: 0.2 max.																
		Insulation Resistance	Rated Voltage: DC25V, DC50V, DC100V 1,000MΩ, 50MΩ • μF min. (whichever is smaller) Rated Voltage: DC250V, DC630V 1,000MΩ, 10MΩ • μF min. (whichever is smaller)																	
15	Humidity Load	Appearance	No defects or abnormalities		Apply the rated voltage for 500±2 <sub>0</sub> hrs. at 40±2°C and in 90 to 95% humidity. Remove and set for 24±2 hrs. at room temperature, then measure. (Charge/Discharge current ≤50mA) <ul style="list-style-type: none"> <li>• Pretreatment (for high dielectric constant type)                              Perform a heat treatment at 150+0/-10°C for 1 hr., and then let sit at room temperature for 24±2 hrs.</li> </ul>															
		Capacitance Change	Within ±7.5% or ±0.75pF (whichever is larger)	Char. X7R, X7S: Within ±15% Char. F, Y5V: Within ±30%																
		Q/D.F.	30pF min.: Q≥200 30pF max.: Q≥100+10C/3 C: Nominal capacitance (pF)	Char. X7R: 0.05 max. Char. F, Y5V: 0.075 max. Char. X7S: 0.2 max.																
		Insulation Resistance	Rated Voltage: DC25V, DC50V, DC100V 500MΩ or 25MΩ • μF min. (whichever is smaller) Rated Voltage: DC250V, DC630V 1,000MΩ or 10MΩ • μF min. (whichever is smaller)																	
16	High Temperature Load	Appearance	No defects or abnormalities		Apply voltage in Table for 1000±4 <sub>8</sub> hrs. at the maximum operating temperature±3°C. Remove and set for 24±2 hrs. at room temperature, then measure. (Charge/Discharge current ≤50mA) <table border="1"> <thead> <tr> <th>Rated Voltage</th> <th>Test Voltage</th> </tr> </thead> <tbody> <tr> <td>DC25V, DC50V DC100V, DC250V</td> <td>150% of the rated voltage</td> </tr> <tr> <td>DC630V</td> <td>120% of the rated voltage</td> </tr> </tbody> </table> <ul style="list-style-type: none"> <li>• Pretreatment (for high dielectric constant type)                              Apply test voltage for 1 hr., at test temperature.                              Remove and set for 24±2 hrs. at room temperature.</li> </ul>	Rated Voltage	Test Voltage	DC25V, DC50V DC100V, DC250V	150% of the rated voltage	DC630V	120% of the rated voltage									
		Rated Voltage	Test Voltage																	
		DC25V, DC50V DC100V, DC250V	150% of the rated voltage																	
		DC630V	120% of the rated voltage																	
Capacitance Change	Within ±3% or ±0.3pF (whichever is larger)	Char. X7R, X7S: Within ±15% Char. F, Y5V: Within ±30%																		
Q/D.F.	30pF min.: Q≥350 10pF to 30pF: Q≥275+5C/2 10pF max.: Q≥200+10C C: Nominal capacitance (pF)	Char. X7R: 0.05 max. Char. F, Y5V: 0.075 max. Char. X7S: 0.2 max.																		
Insulation Resistance	Rated Voltage: DC25V, DC50V, DC100V 1,000MΩ, 50MΩ • μF min. (whichever is smaller) Rated Voltage: DC250V, DC630V 1,000MΩ, 10MΩ • μF min. (whichever is smaller)																			
17	Solvent Resistance	Appearance	No defects or abnormalities		The capacitor should be fully immersed, unagitated, in reagent at 20 to 25°C for 30±5 sec. and then removed gently. Marking on the surface of the capacitor should immediately be visually examined. Reagent: <ul style="list-style-type: none"> <li>• Isopropyl alcohol</li> </ul>															
		Marking	Legible																	

Table A

Char.	Nominal Values (ppm/°C) *1	Capacitance Change from 25°C (%)					
		-55°C		-30°C		-10°C	
		Max.	Min.	Max.	Min.	Max.	Min.
<b>COG</b>	0±30	0.58	-0.24	0.40	-0.17	0.25	-0.11

\*1: Nominal values denote the temperature coefficient within a range of 25 to 125°C

Table B

Char.	Temp. Range	Reference Temp.	Cap. Change Rate
<b>X7R</b>	-55 to +125°C	25°C	Within ±15%
<b>X7S</b>			Within ±22%
<b>Y5V</b>			Within ±30%
<b>F</b>	-25 to + 85°C	20°C	Within ±38%

# Radial Lead Type Monolithic Ceramic Capacitors



## RDE Series Large Capacitance and High Allowable Ripple Current (For Commercial Use Only) (DC250V-DC630V)

### ■ Features

- Higher capacitance with DC-Bias; approximately 40% higher than X7R under loaded rated voltage.
- Applicable for use as a DC smoothing capacitor in LED Bulb Lighting circuits after the bridge rectifier circuit  
 AC100V input: 250V rating type  
 maximum capacitance of X7T, 250V is 2.2 micro F  
 though X7R, 630V is 0.47 micro F.  
 AC200V input: 450V rating type  
 maximum capacitance of X7T, 450V is 1.2 micro F  
 though X7R, 630V is 0.47 micro F.
- Allowable higher ripple current
- Reduces acoustic noise  
 Approximately 15dB reduction in comparison to leaded X7R characteristics parts.  
 Approximately 30dB reduction in comparison to SMD X7T characteristics part because the contact area is smaller than a SMD.
- Maximum capacitance is doubled by the dual chip structure in the leaded component construction.

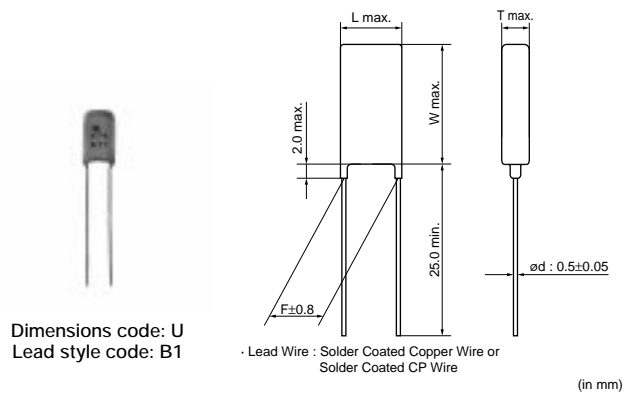
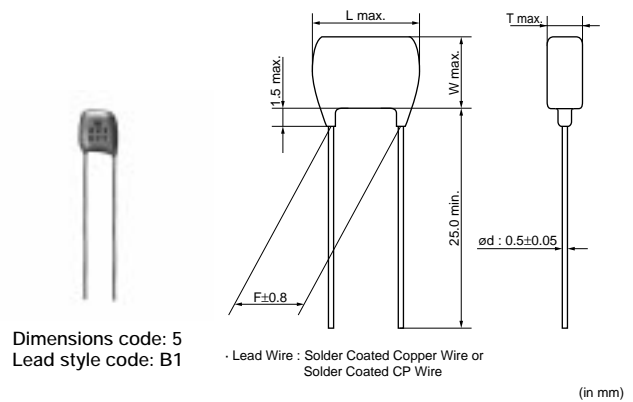
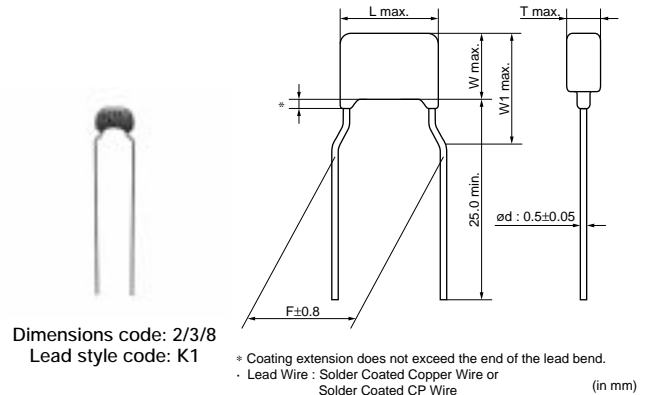
### ■ Applications

- DC smoothing capacitor for LED bulb
- PFC capacitor for general use SMPS
- Replace Al-E capacitor for long-life equipment

### ■ Dimensions

Dimensions and Lead Style Code	DC Rated Voltage	Dimensions (mm)					
		L	W	W1	T	F	d
<b>2K1/2M1</b>	250V/450V/630V	5.5	4.0	6.0	See the individual product specifications	5.0	0.5
<b>3K1/3M1</b>	250V/450V/630V	5.5	5.0	7.5		5.0	0.5
<b>5B1/5E1</b>	250V/450V/630V	7.5	7.5*	-		5.0	0.5
<b>8K1/8M1</b>	250V/450V/630V	7.5	5.5	8.0		5.0	0.5
<b>UB1/UE1</b>	250V/450V/630V	7.7	12.5*	-		5.0	0.5

\*DC630V: W+0.5mm



Continued on the following page.



Continued from the preceding page.

**Marking**

Dimensions Code	Rated Voltage	DC250V	DC450V	DC630V
	Temp. Char.	X7T		
2				
3, 8				
5, U				
Temperature Characteristics		Marked with code (X7T char.: 7)		
Nominal Capacitance		Marked with 3 figures		
Capacitance Tolerance		Marked with code		
Rated Voltage		Marked with code (DC250V: 4, DC450V: 9, DC630V: 7)		
Manufacturer's Identification		Marked with		

**High Dielectric Constant Type, X7T Characteristics**

Part Number	Temp. Char.	Rated Voltage (Vdc)	Capacitance	Dimensions LxW (mm)	Dimension T (mm)	Lead Space F (mm)	Lead Style Code Bulk	Lead Style Code Taping (1)	Lead Style Code Taping (2)
RDED72E333K2□□C11□	X7T	250	33000pF ±10%	5.5 x 4.0	3.15	5.0	K1	M1	-
RDED72E473K2□□C11□	X7T	250	47000pF ±10%	5.5 x 4.0	3.15	5.0	K1	M1	-
RDED72E683K2□□C11□	X7T	250	68000pF ±10%	5.5 x 4.0	3.15	5.0	K1	M1	-
RDED72E104K3□□C11□	X7T	250	0.10µF ±10%	5.5 x 5.0	4.0	5.0	K1	M1	-
RDED72E154K3□□C11□	X7T	250	0.15µF ±10%	5.5 x 5.0	4.0	5.0	K1	M1	-
RDED72E224K8□□C11□	X7T	250	0.22µF ±10%	7.5 x 5.5	4.0	5.0	K1	M1	-
RDED72E334K8□□C11□	X7T	250	0.33µF ±10%	7.5 x 5.5	4.0	5.0	K1	M1	-
RDED72E474K5□□C13□	X7T	250	0.47µF ±10%	7.5 x 7.5	4.5	5.0	B1	E1	-
RDED72E684K5□□C13□	X7T	250	0.68µF ±10%	7.5 x 7.5	4.5	5.0	B1	E1	-
RDED72E105K5□□C13□	X7T	250	1.0µF ±10%	7.5 x 7.5	4.5	5.0	B1	E1	-
RDED72E225MU□□C13□	X7T	250	2.2µF ±20%	7.7 x 12.5	4.5	5.0	B1	E1	-
RDED72W103K2□□C11□	X7T	450	10000pF ±10%	5.5 x 4.0	3.15	5.0	K1	M1	-
RDED72W153K2□□C11□	X7T	450	15000pF ±10%	5.5 x 4.0	3.15	5.0	K1	M1	-
RDED72W223K2□□C11□	X7T	450	22000pF ±10%	5.5 x 4.0	3.15	5.0	K1	M1	-
RDED72W333K2□□C11□	X7T	450	33000pF ±10%	5.5 x 4.0	3.15	5.0	K1	M1	-
RDED72W473K2□□C11□	X7T	450	47000pF ±10%	5.5 x 4.0	3.15	5.0	K1	M1	-
RDED72W683K3□□C11□	X7T	450	68000pF ±10%	5.5 x 5.0	4.0	5.0	K1	M1	-
RDED72W104K3□□C11□	X7T	450	0.10µF ±10%	5.5 x 5.0	4.0	5.0	K1	M1	-
RDED72W154K8□□C11□	X7T	450	0.15µF ±10%	7.5 x 5.5	4.0	5.0	K1	M1	-
RDED72W224K5□□C13□	X7T	450	0.22µF ±10%	7.5 x 7.5	4.5	5.0	B1	E1	-
RDED72W334K5□□C13□	X7T	450	0.33µF ±10%	7.5 x 7.5	4.5	5.0	B1	E1	-
RDED72W474K5□□C13□	X7T	450	0.47µF ±10%	7.5 x 7.5	4.5	5.0	B1	E1	-
RDED72W564K5□□C13□	X7T	450	0.56µF ±10%	7.5 x 7.5	4.5	5.0	B1	E1	-
RDED72W105MU□□C13□	X7T	450	1.0µF ±20%	7.7 x 12.5	4.5	5.0	B1	E1	-
RDED72W125MU□□C13□	X7T	450	1.2µF ±20%	7.7 x 12.5	4.5	5.0	B1	E1	-
RDED72J103K2□□C11□	X7T	630	10000pF ±10%	5.5 x 4.0	3.15	5.0	K1	M1	-
RDED72J153K2□□C11□	X7T	630	15000pF ±10%	5.5 x 4.0	3.15	5.0	K1	M1	-
RDED72J223K3□□C11□	X7T	630	22000pF ±10%	5.5 x 5.0	4.0	5.0	K1	M1	-
RDED72J333K3□□C11□	X7T	630	33000pF ±10%	5.5 x 5.0	4.0	5.0	K1	M1	-
RDED72J473K3□□C11□	X7T	630	47000pF ±10%	5.5 x 5.0	4.0	5.0	K1	M1	-
RDED72J683K8□□C11□	X7T	630	68000pF ±10%	7.5 x 5.5	4.0	5.0	K1	M1	-
RDED72J104K5□□C13□	X7T	630	0.10µF ±10%	7.5 x 8.0	4.5	5.0	B1	E1	-
RDED72J154K5□□C13□	X7T	630	0.15µF ±10%	7.5 x 8.0	4.5	5.0	B1	E1	-
RDED72J224K5□□C13□	X7T	630	0.22µF ±10%	7.5 x 8.0	4.5	5.0	B1	E1	-

Continued on the following page. ↗

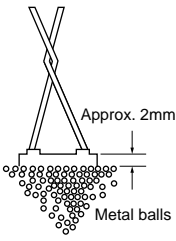
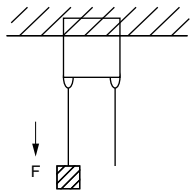
5

Continued from the preceding page.

Part Number	Temp. Char.	Rated Voltage (Vdc)	Capacitance	Dimensions LxW (mm)	Dimension T (mm)	Lead Space F (mm)	Lead Style Code Bulk	Lead Style Code Taping (1)	Lead Style Code Taping (2)
<b>RDED72J274K5□□C13□</b>	X7T	630	0.27μF ±10%	7.5 x 8.0	4.5	5.0	B1	E1	-
<b>RDED72J474MU□□C13□</b>	X7T	630	0.47μF ±20%	7.7 x 13.0	4.5	5.0	B1	E1	-
<b>RDED72J564MU□□C13□</b>	X7T	630	0.56μF ±20%	7.7 x 13.0	4.5	5.0	B1	E1	-

Two blank columns are filled with the lead style code. Please refer to the 3 columns on the right for the appropriate code.  
 The last blank column is filled with the packaging code. (B: bulk, A: ammo pack)

## Specifications and Test Methods

No.	Item	Specifications	Test Method												
1	Operating Temperature Range	-55 to +125°C	-												
2	Appearance	No defects or abnormalities	Visual inspection												
3	Dimension and Marking	See previous pages	Visual inspection, Vernier Caliper												
4	Between Terminals	No defects or abnormalities	The capacitor should not be damaged when voltage in Table is applied between the terminations for 1 to 5 sec. (Charge/Discharge current $\leq 50\text{mA}$ ) <table border="1" style="margin: 5px 0; width: 100%; border-collapse: collapse;"> <thead> <tr style="background-color: #f2f2f2;"> <th>Rated Voltage</th> <th>Test Voltage</th> </tr> </thead> <tbody> <tr> <td>DC250V</td> <td>200% of the rated voltage</td> </tr> <tr> <td>DC450V</td> <td>150% of the rated voltage</td> </tr> <tr> <td>DC630V</td> <td>120% of the rated voltage</td> </tr> </tbody> </table>	Rated Voltage	Test Voltage	DC250V	200% of the rated voltage	DC450V	150% of the rated voltage	DC630V	120% of the rated voltage				
	Rated Voltage	Test Voltage													
DC250V	200% of the rated voltage														
DC450V	150% of the rated voltage														
DC630V	120% of the rated voltage														
Body Insulation	No defects or abnormalities	The capacitor is placed in a container with metal balls of 1mm diameter so that each terminal, short-circuit, is kept approximately 2mm from the balls as shown in the figure, and 200% of the rated DC voltage is impressed for 1 to 5 sec. between capacitor terminals and metal balls. (Charge/Discharge current $\leq 50\text{mA}$ ) <div style="text-align: right; margin-top: 10px;">  </div>													
5	Insulation Resistance	Between Terminals More than 10,000MΩ or 100MΩ · μF, Whichever is smaller	The insulation resistance should be measured with DC500±50V (DC250±25V in case of rated voltage: DC250V, DC450V) at normal temperature and humidity and within 2 min. of charging. (Charge/Discharge current $\leq 50\text{mA}$ )												
6	Capacitance	Within the specified tolerance	The capacitance/D.F. should be measured at the frequency of 1±0.1kHz and a voltage of AC1±0.2V(r.m.s.).												
7	Dissipation Factor (D.F.)	0.01 max.	The capacitance change should be measured after 5 min. at each specified temperature stage.												
8	Capacitance Temperature Characteristics	Within +22/-33%	<table border="1" style="margin: 5px auto; border-collapse: collapse;"> <thead> <tr style="background-color: #f2f2f2;"> <th>Step</th> <th>Temperature (°C)</th> </tr> </thead> <tbody> <tr> <td>1</td> <td>25±2</td> </tr> <tr> <td>2</td> <td>-55±3</td> </tr> <tr> <td>3</td> <td>25±2</td> </tr> <tr> <td>4</td> <td>125±3</td> </tr> <tr> <td>5</td> <td>25±2</td> </tr> </tbody> </table>	Step	Temperature (°C)	1	25±2	2	-55±3	3	25±2	4	125±3	5	25±2
Step	Temperature (°C)														
1	25±2														
2	-55±3														
3	25±2														
4	125±3														
5	25±2														
9	Tensile Strength	Termination not to be broken or loosened	As in the figure, fix the capacitor body, apply the force gradually to each lead in the radial direction of the capacitor until reaching 10N and then keep the force applied for 10±1 sec. <div style="text-align: center; margin-top: 10px;">  </div>												
	Bending Strength	Termination not to be broken or loosened	Each lead wire should be subjected to a force of 2.5N and then bent 90° at the point of egress in one direction. Each wire is then returned to the original position and bent 90° in the opposite direction at the rate of one bend per 2 to 3 sec.												
10	Appearance	No defects or abnormalities	The capacitor should be firmly soldered to the supporting lead wire and vibrated at a frequency range of 10 to 55Hz, 1.5mm in total amplitude, with about a 1 minute rate of vibration change from 10Hz to 55Hz and back to 10Hz. Apply for a total of 6 hrs., 2 hrs. each in 3 mutually perpendicular directions.												
	Capacitance	Within the specified tolerance													
	D.F.	0.01 max.													

Continued on the following page.

5

## Specifications and Test Methods

Continued from the preceding page.

No.	Item	Specifications	Test Method	
11	Solderability of Leads	Lead wire should be soldered with uniform coating on the axial direction over 3/4 of the circumferential direction.	The terminal of a capacitor is dipped into a solution of ethanol (JIS-K-8101) and rosin (JIS-K-5902) (25% rosin in weight proportion) and then into molten solder (JIS-Z-3282) for 2±0.5 sec. In both cases the depth of dipping is up to about 1.5 to 2mm from the terminal body. Temp. of solder: 245±5°C Lead Free Solder (Sn-3.0Ag-0.5Cu) 235±5°C H60A or H63A Eutectic Solder	
12	Resistance to Soldering Heat	Appearance	No defects or abnormalities	
		Capacitance Change		Within ±10%
		Dielectric Strength (Between Terminals)		No defects
13	Temperature Cycle	Appearance	No defects or abnormalities	
		Capacitance Change		Within ±7.5%
		D.F.		0.01 max.
		Insulation Resistance		More than 10,000MΩ or 100MΩ · μF (Whichever is smaller)
		Dielectric Strength (Between Terminals)		No defects or abnormalities
14	Humidity (Steady State)	Appearance	No defects or abnormalities	
		Capacitance Change		Within ±12.5%
		D.F.		0.02 max.
		Insulation Resistance		More than 1,000MΩ or 10MΩ · μF (Whichever is smaller)
15	Humidity Load	Appearance	No defects or abnormalities	
		Capacitance Change		Within ±12.5%
		D.F.		0.02 max.
		Insulation Resistance		More than 1,000MΩ or 10MΩ · μF (Whichever is smaller)
16	High Temperature Load	Appearance	No defects or abnormalities	
		Capacitance Change		Within ±12.5%
		D.F.		0.02 max.
		Insulation Resistance		More than 1,000MΩ or 10MΩ · μF (Whichever is smaller)
17	Solvent Resistance	Appearance	No defects or abnormalities	
		Marking		Legible

The lead wire is immersed in the melted solder 1.5 to 2mm from the main body at 350±10°C for 3.5±0.5 sec. The specified items are measured after 24±2 hrs.

- Pretreatment  
 Perform a heat treatment at 150+0/-10°C for 1 hr., and then let sit at room temperature for 24±2 hrs.

The capacitor should be subjected to 5 temperature cycles.

Step	Temperature (°C)	Time (min)
1	-55±3	30±3
2	Room Temp.	3 max.
3	125±3	30±3
4	Room Temp.	3 max.

- Pretreatment  
 Perform a heat treatment at 150+0/-10°C for 1 hr., and then let sit at room temperature for 24±2 hrs.

Set the capacitor at 40±2°C and relative humidity of 90 to 95% for 500 ±<sup>24</sup><sub>0</sub> hrs. Remove and set for 24±2 hrs. at room temperature, then measure.

- Pretreatment  
 Perform a heat treatment at 150+0/-10°C for 1 hr., and then let sit at room temperature for 24±2 hrs.

Apply the rated voltage at 40±2°C and relative humidity of 90 to 95% for 500 ±<sup>24</sup><sub>0</sub> hrs. Remove and set for 24±2 hrs. at room temperature, then measure. (Charge/Discharge current ≤ 50mA)

- Pretreatment  
 Perform a heat treatment at 150+0/-10°C for 1 hr., and then let sit at room temperature for 24±2 hrs.

Apply voltage in Table for 1000 ±<sup>48</sup><sub>0</sub> hrs. at the maximum operating temperature. Remove and set for 24±2 hrs. at room temperature, then measure. (Charge/Discharge current ≤ 50mA)

Rated Voltage	Test Voltage
DC250V	150% of the rated voltage
DC450V	130% of the rated voltage
DC630V	120% of the rated voltage

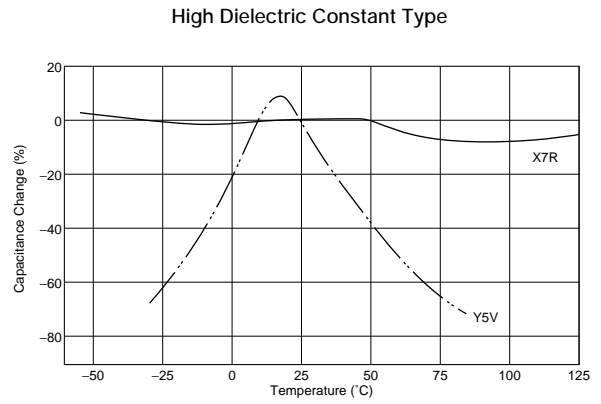
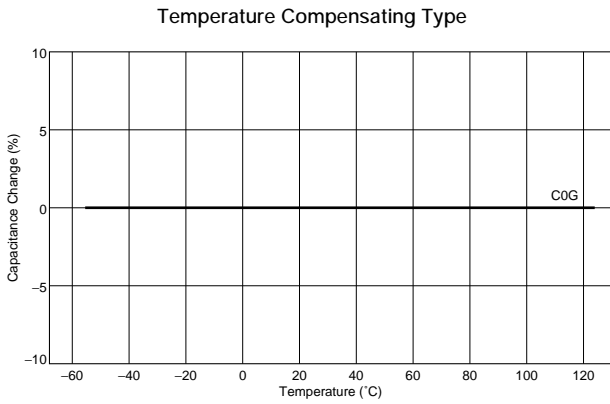
- Pretreatment  
 Apply test voltage for 1 hr., at test temperature. Remove and set for 24±2 hrs. at room temperature.

The capacitor should be fully immersed, unagitated, in reagent at 20 to 25 °C for 30±5 sec. and then removed gently. Marking on the surface of the capacitor should immediately be visually examined.  
 Reagent :  
 • Isopropyl alcohol

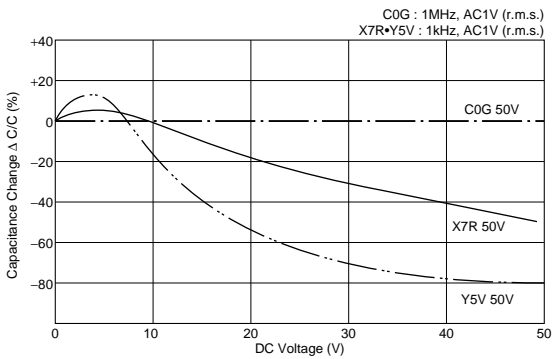
5

## RPE Series Characteristics Reference Data (Typical Example)

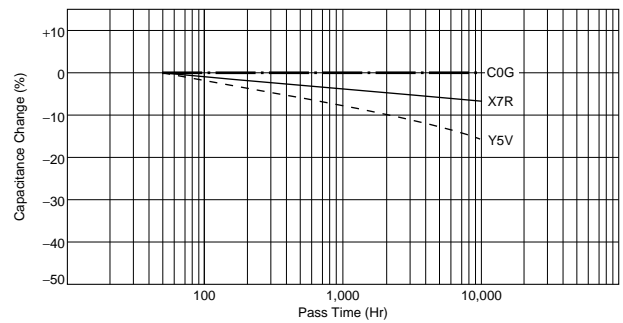
### ■ Capacitance - Temperature Characteristics



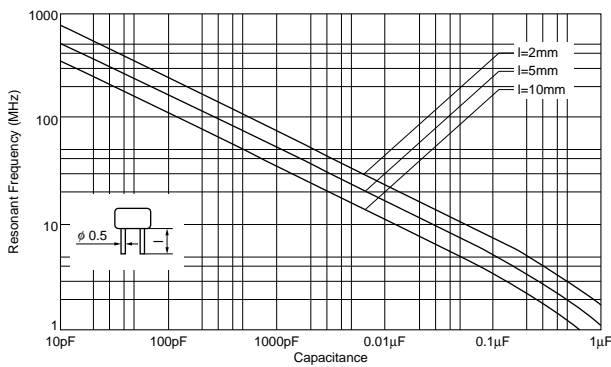
### ■ Capacitance - DC Voltage Characteristics



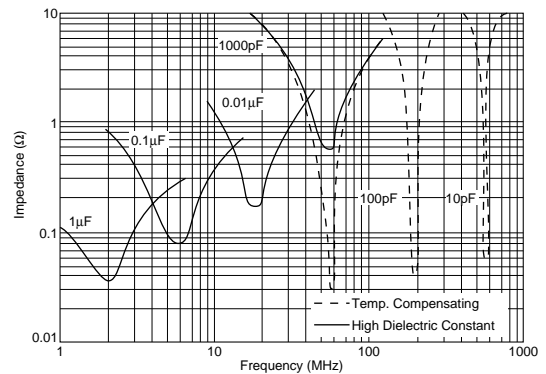
### ■ Capacitance Change - Aging



### ■ Capacitance - Resonant Frequency

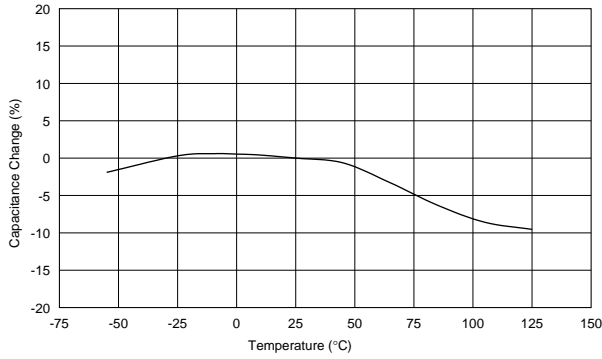


### ■ Impedance - Frequency Characteristics

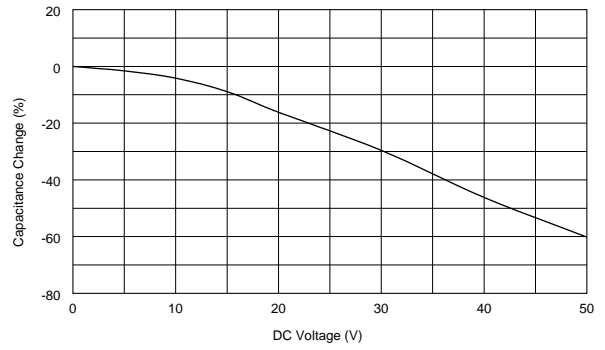


## RPE Series Small Size, Large Capacitance Characteristics Reference Data (Typical Example)

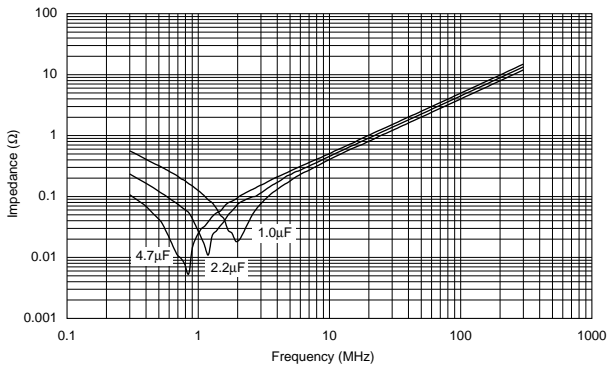
### ■ Capacitance - Temperature Characteristics



### ■ Capacitance - DC Voltage Characteristics

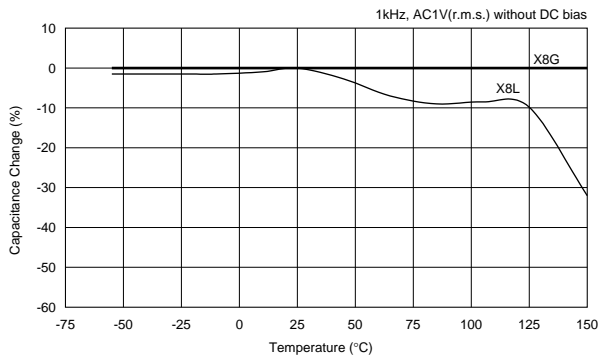


### ■ Impedance - Frequency Characteristics

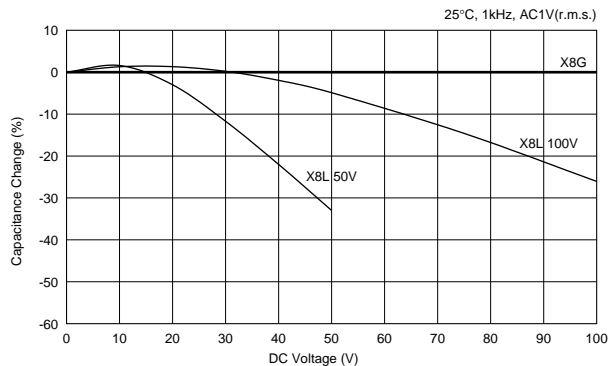


## RH Series Characteristics Reference Data (Typical Example)

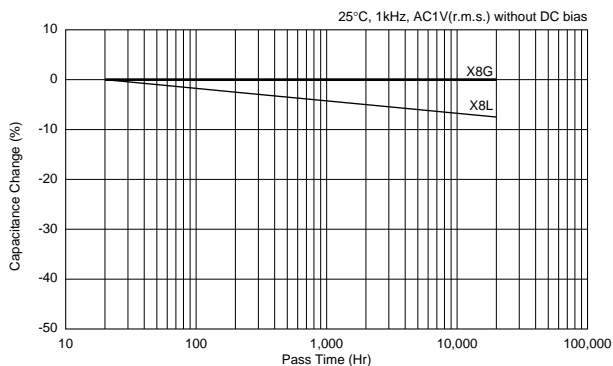
### ■ Capacitance - Temperature Characteristics



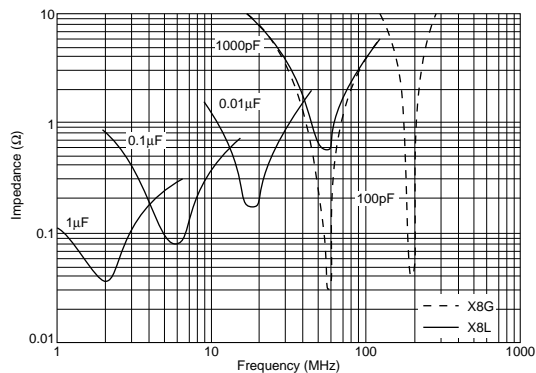
### ■ Capacitance - DC Voltage Characteristics



### ■ Capacitance Change - Aging

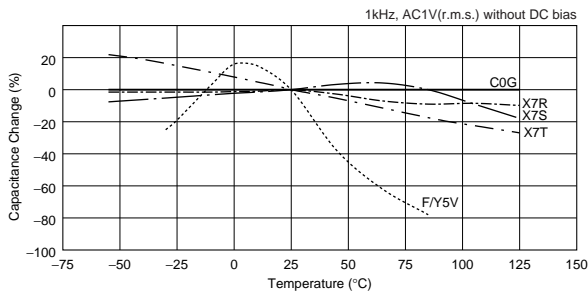


### ■ Impedance - Frequency Characteristics



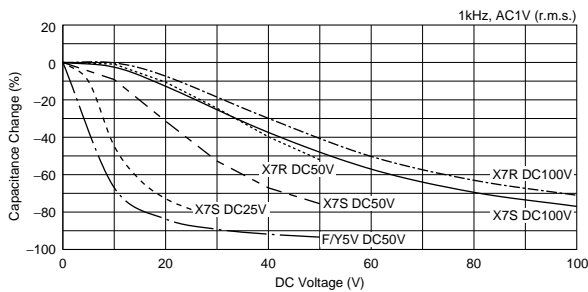
# RDE Series Characteristics Reference Data (Typical Example)

## ■ Capacitance - Temperature Characteristics

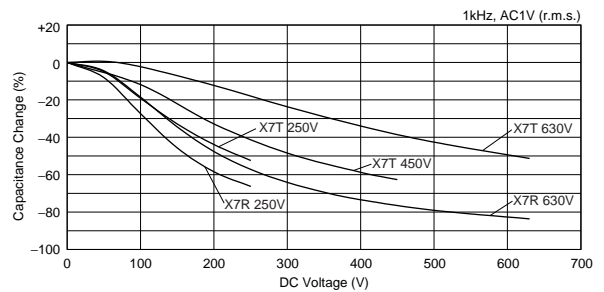


## ■ Capacitance - DC Voltage Characteristics

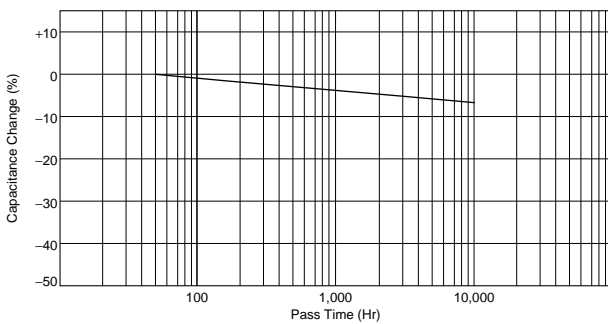
Rated Voltage: DC25V to DC100V



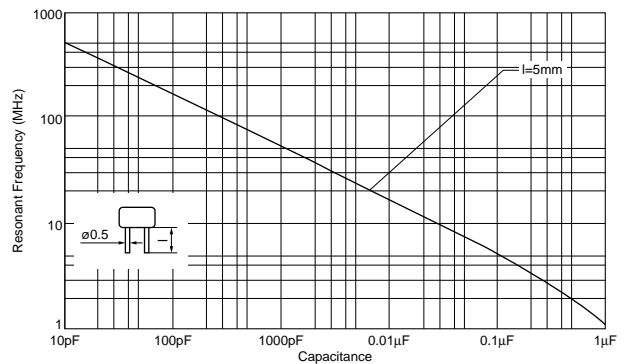
Rated Voltage: DC250V to DC630V



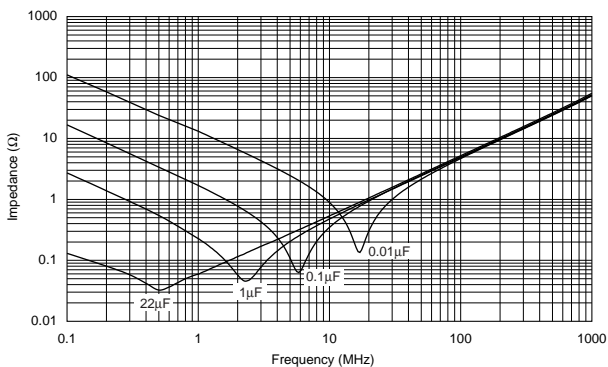
## ■ Capacitance Change - Aging



## ■ Capacitance - Resonant Frequency



## ■ Impedance - Frequency Characteristics





## Packaging

### ■ Packaging

Two types of packaging for monolithic ceramic capacitors are available.

#### 1. Bulk Packaging

##### Minimum Quantity

Dimensions Code	Dimensions (L×W)	Minimum Quantity (pcs./Bag)
0	4.0×3.5mm or 5.0×3.5mm (Depends on Part Number List)	500*1
1	4.0×3.5mm or 4.5×3.5mm or 5.0×3.5mm (Depends on Part Number List)	
2	5.0×3.5mm or 5.5×4.0mm or 5.7×4.5mm (Depends on Part Number List)	
3	5.0×4.5mm or 5.5×5.0mm or 6.0×5.5mm (Depends on Part Number List)	
5	7.5×7.5mm (DC630V: 7.5×8.0mm)	
6	10.0×10.0mm	
8	7.5×5.5mm	
W	5.5×7.5mm or 6.0×8.0mm (Depends on Part Number List)	
7	12.5×12.5mm	100
U	7.7×12.5mm (DC630V: 7.7×13.0mm)	200

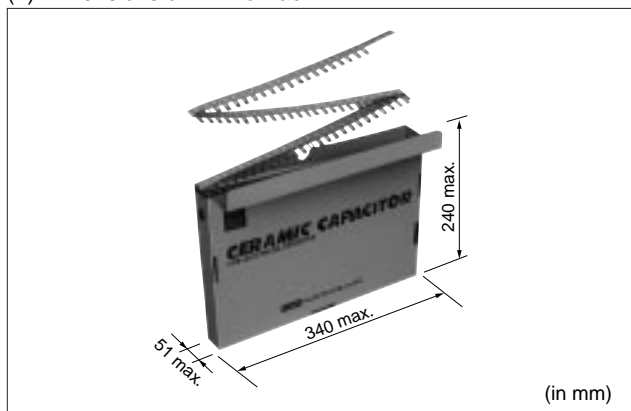
Please order with an integral multiple of the minimum quantity above.

\*1 400 pcs. for **RHDL81H□□□K3□□C03B**

250 pcs. for **RHDL81H106MWK1C03B**

#### 2. Tape Carrier Packaging

##### (1) Dimensions of Ammo Pack



##### (2) Minimum Quantity

Dimensions Code	Dimensions (L×W)	Minimum Quantity (pcs./Ammo Pack)
0	4.0×3.5mm or 5.0×3.5mm (Depends on Part Number List)	2000*2
1	4.0×3.5mm or 4.5×3.5mm or 5.0×3.5mm (Depends on Part Number List)	
2	5.0×3.5mm or 5.5×4.0mm or 5.7×4.5mm (Depends on Part Number List)	
3	5.0×4.5mm or 5.5×5.0mm or 6.0×5.5mm (Depends on Part Number List)	
5	7.5×7.5mm (DC630V: 7.5×8.0mm)	2000*3
6	10.0×10.0mm	1500*4
8	7.5×5.5mm	
W	5.5×7.5mm or 6.0×8.0mm (Depends on Part Number List)	
U	7.7×12.5mm (DC630V: 7.7×13.0mm)	1000*5

Please order with an integral multiple of the minimum quantity above.

\*2 1500 pcs. for **RPER71H335K3M1C60A**, **RPER71H475K3M1C60A**, **RDER71H335K3□□C03A**, **RDEC71E226K3□□C03A**, **RDEC72A155K3□□C03A**, **RDEC72A225K3□□C03A** and **RHD Series**

\*3 1500 pcs. for **RPER71H335K5□□C03A**, **RPER71H475K5□□C03A**, **RPER72A105K5□□C03A** and **RDE Series**  
 (Two blank columns are filled with the lead style code.)

\*4 1000 pcs. for **RHDL81H106MWM1C03A**

\*5 1500 pcs. for **RDED72W105MUE1C13A**, **RDER72E105MUE1C13A**, **RDER72J474MUE1C13A**

"Minimum Quantity" means the numbers of units of each delivery or order. The quantity should be an integral multiple of the "minimum quantity." (Please note that the actual delivery quantity in a package may change sometimes.)

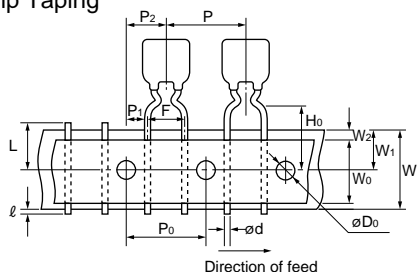
Continued on the following page.

## Packaging

Continued from the preceding page.

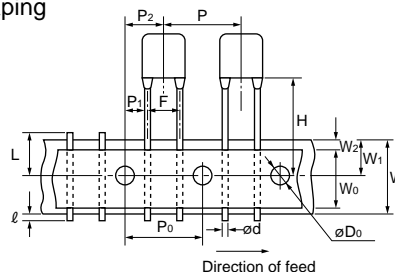
### Taping Dimensions

#### Inside Crimp Taping



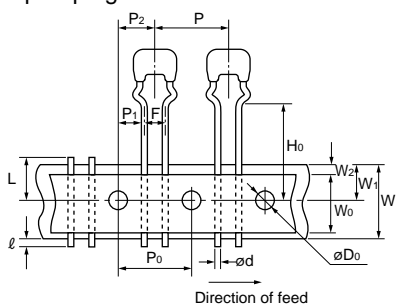
Dimensions and Lead style code	Dimensions (L×W)
0M1	4.0×3.5mm
1M1	4.0×3.5mm or 4.5×3.5mm (Depends on Part Number List)
2M1	5.0×3.5mm or 5.5×4.0mm or 5.7×4.5mm (Depends on Part Number List)
2M2	
3M1	5.0×4.5mm or 5.5×5.0mm (Depends on Part Number List)
3M2	
8M1	7.5×5.5mm
8M2	
WM1	5.5×7.5mm

#### Straight Taping



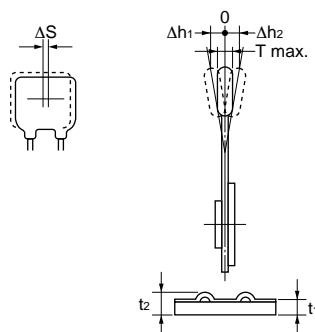
Dimensions and Lead style code	Dimensions (L×W)
1DB	4.0×3.5mm
2DB	5.7×4.5mm
3DB	6.0×5.5mm
5E1	7.5×7.5mm (DC630V: 7.5×8.0mm)
5E2	
6E1	10.0×10.0mm
6E2	
UE1	7.7×12.5mm (DC630V: 7.7×13.0mm)

#### Outside Crimp Taping



Dimensions and Lead style code	Dimensions (L×W)
0S1	5.0×3.5mm
1S1	
2S1	5.0×3.5mm or 5.5×4.0mm (Depends on Part Number List)
2S2	
3S1	5.0×4.5mm or 5.5×5.0mm (Depends on Part Number List)
3S2	

Item	Code	Dimensions (mm)
Pitch of Component	P	12.7±1.0
Pitch of Sprocket Hole	P <sub>0</sub>	12.7±0.2
Lead Spacing	F	2.5 <sup>+0.4</sup> <sub>-0.2</sub> (DB) (S1) (S2)
		5.0 <sup>+0.6</sup> <sub>-0.2</sub>
Length from Hole Center to Component Center	P <sub>2</sub>	6.35±1.3
Length from Hole Center to Lead	P <sub>1</sub>	3.85±0.7
		5.1±0.7 (DB) (S1) (S2)
		254±1.5 Total length of components pitch X 20
Body Dimension	Depends on Part Number List	
Deviation Along Tape, Left or Right Defect	ΔS	±2.0
Carrier Tape Width	W	18.0±0.5
Position of Sprocket Hole	W <sub>1</sub>	9.0 <sup>+0</sup> <sub>-0.5</sub>
Lead Distance between Reference and Bottom Plane	H <sub>0</sub>	16.0±0.5 (M1) (S1)
		20.0±0.5 (M2) (S2)
For Straight Lead Type	H	20±0.5 (E2), 17.5±0.5 (E1), 16±0.5 (DB)
Diameter of Sprocket Hole	D <sub>0</sub>	4.0±0.1
Lead Diameter	d	0.5±0.05
Total Tape Thickness	t <sub>1</sub>	0.6±0.3
Total Thickness of Tape and Lead Wire	t <sub>2</sub>	1.5 max.
Body Thickness	T	Depends on Part Number List
Deviation Across Tape	Δh <sub>1</sub> , Δh <sub>2</sub>	1.0 max. (RHD Series: 1.5 max., Dimensions code W, U: 2.0 max.)
Portion to Cut in Case of Defect	L	11.0 <sup>+0</sup> <sub>-1.0</sub>
Protrusion Length	ℓ	0.5 max.
Hold Down Tape Width	W <sub>0</sub>	9.5 min.
Hold Down Tape Position	W <sub>2</sub>	1.5±1.5
Coating Extension	Depends on Dimensions	



## Caution

### ■ ⚠Caution (Storage and Operating Condition)

#### Operating and storage environment

The insulating coating of capacitors does not form a perfect seal; therefore, do not use or store capacitors in a corrosive atmosphere, especially where chloride gas, sulfide gas, acid, alkali, salt or the like are present. Also avoid exposure to moisture. Before cleaning, bonding or molding this product, verify that these processes do not affect product quality by testing the performance of a cleaned, bonded or molded product in the intended equipment. Store the capacitors where the temperature and relative humidity do not exceed 5 to 40 degrees centigrade and 20 to 70%. Use capacitors within 6 months after delivery.

FAILURE TO FOLLOW THE ABOVE CAUTIONS MAY RESULT, WORST CASE, IN A SHORT CIRCUIT AND CAUSE FUMING OR PARTIAL DISPERSION WHEN THE PRODUCT IS USED.

**⚠Caution**

■ ⚠Caution (Rating)

1. Operating Voltage

When DC-rated capacitors are to be used in AC or ripple current circuits, be sure to maintain the  $V_{p-p}$  value of the applied voltage or the  $V_{0-p}$  which contains DC bias within the rated voltage range.

When the voltage is applied to the circuit, starting or stopping may generate irregular voltage for a transit period because of resonance or switching. Be sure to use a capacitor with a rated voltage range that includes these irregular voltages.

When DC-rated capacitors are to be used in input circuits from commercial power source (AC filter), be sure to use Safety Recognized Capacitors because various regulations on withstand voltage or impulse withstand established for all equipment should be taken into consideration.

Voltage	DC Voltage	DC+AC Voltage	AC Voltage	Pulse Voltage (1)	Pulse Voltage (2)
Positional Measurement					

2. Operating Temperature and Self-generated Heat

Keep the surface temperature of a capacitor below the upper limit of its rated operating temperature range. Be sure to take into account the heat generated by the capacitor itself. When the capacitor is used in a high-frequency current, pulse current or similar current, it may have self-generated heat due to dielectric loss. In the case of "High Dielectric Constant Type Capacitors," applied voltage load should be such that self-generated heat is within 20 °C under the condition where the capacitor is subjected at an atmosphere temperature of 25 °C. Please contact us if self-generated heat occurs with "Temperature Compensating Type Capacitors".

When measuring, use a thermocouple of small thermal capacity -K of  $\varnothing 0.1\text{mm}$  under conditions where the capacitor is not affected by radiant heat from other components or wind from surroundings. Excessive heat may lead to deterioration of the capacitor's characteristics and reliability. Never attempt to perform measurement with the cooling fan running. Otherwise, accurate measurement cannot be ensured.

3. Fail-Safe

Be sure to provide an appropriate fail-safe function on your product to prevent a second damage that may be caused by the abnormal function or the failure of our product.

FAILURE TO FOLLOW THE ABOVE CAUTIONS MAY RESULT, WORST CASE, IN A SHORT CIRCUIT AND CAUSE FUMING OR PARTIAL DISPERSION WHEN THE PRODUCT IS USED.

## ⚠Caution

### ■ ⚠Caution (Soldering and Mounting)

#### 1. Vibration and impact

Do not expose a capacitor or its leads to excessive shock or vibration during use.

#### 2. Soldering

When soldering this product to a PCB/PWB, do not exceed the solder heat resistance specification of the capacitor. Subjecting this product to excessive heating could melt the internal junction solder and may result in thermal shocks that can crack the ceramic element.

#### 3. Bonding, resin molding and coating

In case of bonding, molding or coating this product, verify that these processes do not affect the quality of the capacitor by testing the performance of the bonded, molded or coated product in the intended equipment.

In case the amount of application, dryness/hardening conditions of adhesives and molding resins containing organic solvents (ethyl acetate, methyl ethyl ketone, toluene, etc.) are unsuitable, the outer coating resin of a capacitor may be damaged by the organic solvents and may result, worst case, in a short circuit.

The variation in thickness of adhesive or molding resin or coating may cause an outer coating resin cracking and/or ceramic element cracking of a capacitor in a temperature cycling.

#### 4. Treatment after bonding, resin molding and coating

When the outer coating is hot (over 100 degrees centigrade) after soldering, it becomes soft and fragile, so please be careful not to give it mechanical stress.

FAILURE TO FOLLOW THE ABOVE CAUTIONS MAY RESULT, WORST CASE, IN A SHORT CIRCUIT AND CAUSE FUMING OR PARTIAL DISPERSION WHEN THE PRODUCT IS USED.

### ■ ⚠Caution (Handling)

#### Vibration and impact

Do not expose a capacitor or its leads to excessive shock or vibration during use.

FAILURE TO FOLLOW THE ABOVE CAUTIONS MAY RESULT, WORST CASE, IN A SHORT CIRCUIT AND CAUSE FUMING OR PARTIAL DISPERSION WHEN THE PRODUCT IS USED.

## Notice

### ■ Notice (Rating)

#### Capacitance change of capacitor

In case of F/X7R/X7S/X7T/X8L/Y5V char.

Capacitors have an aging characteristic, whereby the capacitor continually decreases its capacitance slightly if the capacitor is left on for a long time. Moreover, capacitance might change greatly depending on the surrounding temperature or an applied voltage.

### ■ Notice (Soldering and Mounting)

#### 1. Cleaning (ultrasonic cleaning)

To perform ultrasonic cleaning, observe the following conditions.

Rinse bath capacity: Output of 20 watts per liter or less.

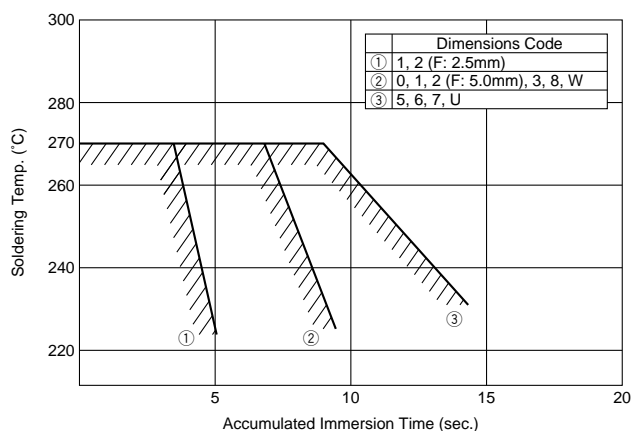
Rinsing time: 5 min. maximum.

Do not vibrate the PCB/PWB directly.

Excessive ultrasonic cleaning may lead to fatigue destruction of the lead wires.

#### 2. Soldering and Mounting

##### (1) Allowable Conditions for Soldering Temperature and Time



Perform soldering within tolerance range (shaded portion).

##### (2) Insertion of the Lead Wire

- When soldering, insert the lead wire into the PCB without mechanically stressing the lead wire.
- Insert the lead wire into the PCB with a distance appropriate to the lead space.

**⚠Note:**

1. Export Control

<For customers outside Japan>

No Murata products should be used or sold, through any channels, for use in the design, development, production, utilization, maintenance or operation of, or otherwise contribution to (1) any weapons (Weapons of Mass Destruction [nuclear, chemical or biological weapons or missiles] or conventional weapons) or (2) goods or systems specially designed or intended for military end-use or utilization by military end-users.

<For customers in Japan>

For products which are controlled items subject to the "Foreign Exchange and Foreign Trade Law" of Japan, the export license specified by the law is required for export.

2. Please contact our sales representatives or product engineers before using the products in this catalog for the applications listed below, which require especially high reliability for the prevention of defects which might directly damage a third party's life, body or property, or when one of our products is intended for use in applications other than those specified in this catalog.

- |                             |  |
|-----------------------------|--|
| ① Aircraft equipment        | ② Aerospace equipment  |
| ③ Undersea equipment        | ④ Power plant equipment  |
| ⑤ Medical equipment         | ⑥ Transportation equipment (vehicles, trains, ships, etc.)   |
| ⑦ Traffic signal equipment  | ⑧ Disaster prevention / crime prevention equipment   |
| ⑨ Data-processing equipment | ⑩ Application of similar complexity and/or reliability requirements to the applications listed above |

3. Product specifications in this catalog are as of March 2011. They are subject to change or our products in it may be discontinued without advance notice. Please check with our sales representatives or product engineers before ordering. If there are any questions, please contact our sales representatives or product engineers.

4. Please read rating and ⚠CAUTION (for storage, operating, rating, soldering, mounting and handling) in this catalog to prevent smoking and/or burning, etc.

5. This catalog has only typical specifications because there is no space for detailed specifications. Therefore, please review our product specifications or consult the approval sheet for product specifications before ordering.

6. Please note that unless otherwise specified, we shall assume no responsibility whatsoever for any conflict or dispute that may occur in connection with the effect of our and/or a third party's intellectual property rights and other related rights in consideration of your use of our products and/or information described or contained in our catalogs. In this connection, no representation shall be made to the effect that any third parties are authorized to use the rights mentioned above under licenses without our consent.

7. No ozone depleting substances (ODS) under the Montreal Protocol are used in our manufacturing process.



<http://www.murata.com/>

**Head Office**

1-10-1, Higashi Kotari, Nagaokakyo-shi, Kyoto 617-8555, Japan  
Phone: 81-75-951-9111

**International Division**

3-29-12, Shibuya, Shibuya-ku, Tokyo 150-0002, Japan  
Phone: 81-3-5469-6123 Fax: 81-3-5469-6155 E-mail: intl@murata.co.jp