

阅读申明

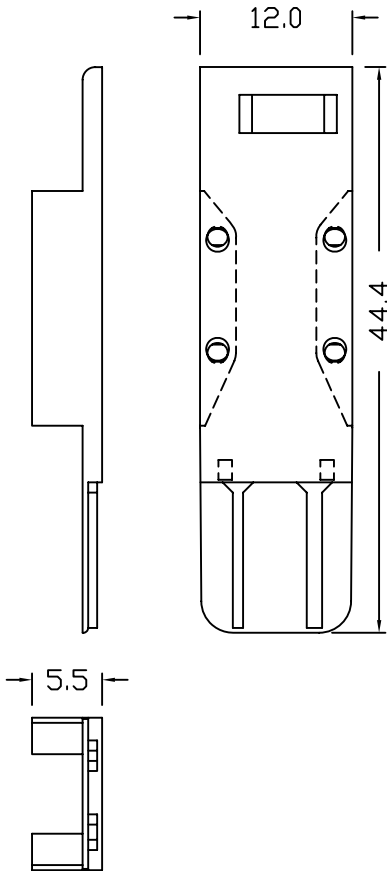
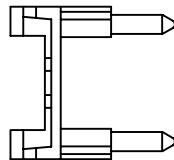
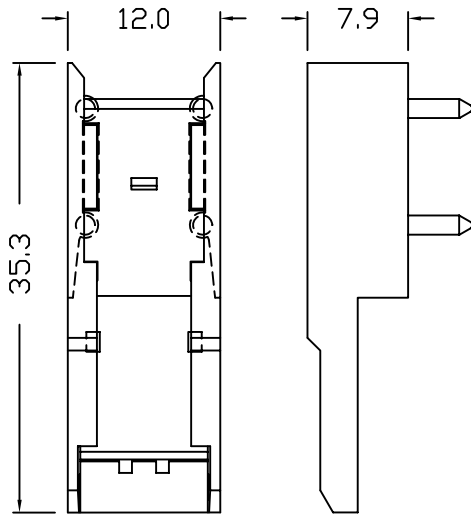
- 1.本站收集的数据手册和产品资料都来自互联网，版权归原作者所有。如读者和版权方有任何异议请及时告之，我们将妥善解决。
- 2.本站提供的中文数据手册是英文数据手册的中文翻译，其目的是协助用户阅读，该译文无法自动跟随原稿更新，同时也可能存在翻译上的不当。建议读者以英文原稿为参考以便获得更精准的信息。
- 3.本站提供的产品资料，来自厂商的技术支持或者使用者的心得体会等，其内容可能存在描述上的差异，建议读者做出适当判断。
- 4.如需与我们联系，请发邮件到marketing@iczoom.com，主题请标有“数据手册”字样。

Read Statement

1. The datasheets and other product information on the site are all from network reference or other public materials, and the copyright belongs to the original author and original published source. If readers and copyright owners have any objections, please contact us and we will deal with it in a timely manner.
2. The Chinese datasheets provided on the website is a Chinese translation of the English datasheets. Its purpose is for reader's learning exchange only and do not involve commercial purposes. The translation cannot be automatically updated with the original manuscript, and there may also be improper translations. Readers are advised to use the English manuscript as a reference for more accurate information.
3. All product information provided on the website refer to solutions from manufacturers' technical support or users the contents may have differences in description, and readers are advised to take the original article as the standard.
4. If you have any questions, please contact us at marketing@iczoom.com and mark the subject with "Datasheets" .

PRODUCT NO.
72395-0021 SEE NOTE 9

PRODUCT NO.
72395-0011 SEE NOTE 9

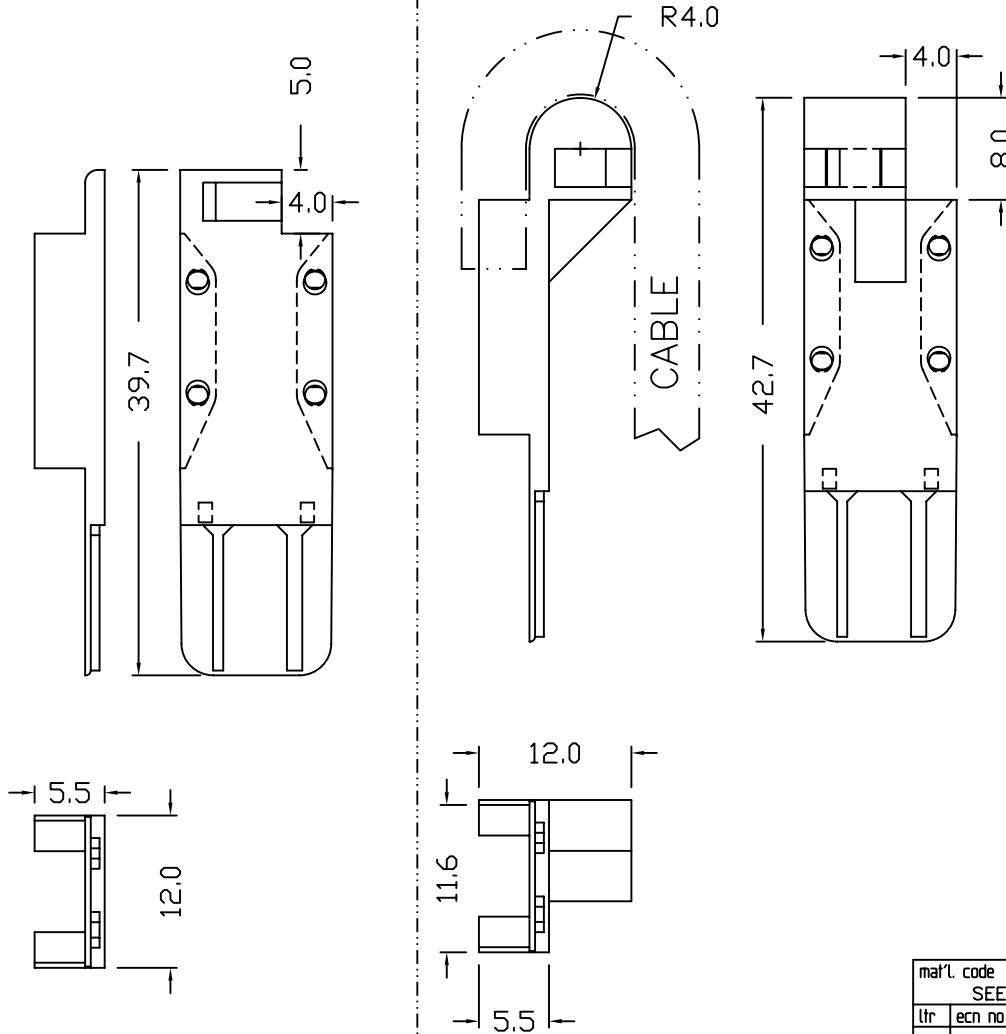


- NOTES:
1. SEE APPLICATION SPECIFICATION, GS-20-002, FOR INSTRUCTION ON WIRE INSERTION AND ASSEMBLY OF COMPONENTS FOR CONNECTOR USING THESE COVERS.
 2. COVERS 72395-0011 & 72395-0021 STANDARD PRODUCT THAT MATE WITH EACH OTHER. SEE SHEET 2 FOR SPECIALS.
 3. THE 72395-0111 COVER IS A SPECIAL THAT RESULTS IN A LOWER CONNECTOR HEIGHT. IT MATES WITH A 72395-0021 COVER. USE THE 72389 TYPE SHORT LATCH FINGERS WITH THIS COVER.

mat'l. code				surface		tolerance		projection		product family	
SEE NOTES				ASME Y14.5		ASME Y14.5		MM		METRAL CABLE	
ltr	ec'n no	dr	date	tolerances unless otherwise specified		tolerances unless otherwise specified		MM		title	
A	V71561	JRV	11/5/97	angles		X #3		MM		4X6 COVERS	
B	V71674	JRV	12/12/97			XX #18		MM		UNSHIELDED CABLE CONN	
C	V60808	JRV	6/16/98	0° ±2'		XXX #051		scale 1:1		sheet 1 of 2	
D	V12695	EPK	11/14/01	dr	J.R.VOLSTROF	6/16/98		FCI		dwg no	
E	V05-0594	VS	08/08/05	engr	J.R.VOLSTROF	6/16/98		FCI		72395	
F	V06-0613	JRV	2006-06-18	chr	J.R.VOLSTROF	6/16/98		FCI		size A4	
				appd	J.R.VOLSTROF	6/16/98		FCI		type CUSTOMER Drawing	
sheet	revision	F	F								
index	sheet	1	2								

PRODUCT NO.
72395-0111

PRODUCT NO.
72395-0211



NOTES:

4. MATERIAL:
GLASS FILLED 612 POLYAMIDE,
UL 94V0.
5. THE 72395-0211 COVER IS A SPECIAL THAT ALLOWS THE CABLE TO BE REVERSED 180 DEGREES AS SHOWN AND TO BE SECURED IN THIS POSITION WITH CABLE TIES. IT MATES WITH A 72395-0021 COVER.
6. SEE CUSTOMER DRAWING 72476 FOR LIST OF OTHER COMPONENTS THAT ARE USED IN CONJUNCTION WITH THE STANDARD COVERS. THESE COMPONENTS ARE THE SAME AS ARE USED WITH THE SPECIAL COVERS LISTED HERE.
7. THE PRODUCTS WHERE THE PART NUMBER ENDS IN LF MEET THE EUROPEAN UNION DIRECTIVES AND OTHER COUNTRY REGULATIONS AS DESCRIBED IN GS-22-008 .
8. THESE PRODUCTS LISTED ON THIS DRAWING WILL NOT WITHSTAND WAVE SOLDER OR REFLOW OPERATIONS.
9. FOR LEAD FREE PART NUMBERS, ADD AN 'LF' SUFFIX. EXAMPLE 72395-0011LF.

mat'l. code		surface		tolerance		projection		product family	
SEE NOTES		ASME Y14.5		ASME Y14.5				METRAL CABLE	
ltr	ecn no	dr	date	tolerances unless otherwise specified				title	
F				angles	X ±3		MM		4X6 COVERS
				or ±2'	XX ±.18		scale 1:1		UNSHIELDED CABLE CONN
					XXX ±.051				dwg no
		dr	J.R.VOLSTROF	6/16/98				sheet 2 of 2	size
		engr	J.R.VOLSTROF	6/16/98				72395	A4
		chr	J.R.VOLSTROF	6/16/98				type	CUSTOMER Drawing
		appd	J.R.VOLSTROF	6/16/98					
sheet index	revision sheet								